

JEICO.com



JEICO® is the name of industrial radio remote controller
Learn more at www.jeico.com or contact a jeico representative to get info.

JEICO®

CEO Message

JEICO is a maker of industrial radio remote controllers in industrial use, such as for hoist and (over head & tower) crane, winches and gate, automobiles, conveying and transporting, and so on, for remote and wireless controlling fields both in the light and heavy industries.

With our continuous study and cutting-edge technology, we've launched various series and new products. This was recognized by the government, and we were registered as a venture company having high technology. Also, our research institute registered as well is laying the foundation for deeper research.

Our technology has been widely recognized in the field, from remote control for workplace convenience to radio control for safety in industrial sites like cranes, steel power plants, etc. In particular, we developed radio controls to be used in explosion-proof areas, which are certified as intrinsic safety products. Such development is a first in Korea. Our products—all developed using our own technology, from remote control program to communication equipment—are getting more recognized as good and high qualities and yet much low error rates found comparing with others.

We have devoted and focused ourselves to the industrial radio remote control field with the confidence and assuring that we can be No. 1 in the world maybe tomorrow. Based on our cutting-edge technology, we will continue trying to be a leader in the industry at present 21st



(Philip) Dow Byun, Chief Executive Officer (CEO) of JEICO

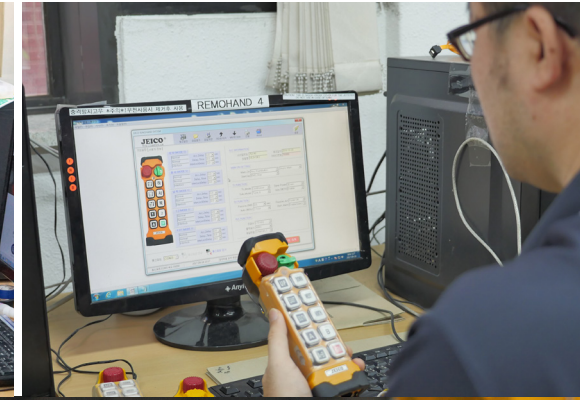
History

- 2003** 08 Established JEICO, specialized in the field of industrial remote controllers
10 Joined partnership with LEE's Hi-Tech in Taiwan
- 2005** 01 Certified ISO 9001
- 2007** 01 Certified ISO 14001
02 Organized 9 local agents for covering Korean territory
10 Participated in the 2007 Vietnam International Industrial Exhibition
- 2012** 11 Opened JEICO Customer Service Center in Seoul
- 2013** 05 Participated in the 2013 Busan International Machinery Fair (BUTECH)
09 Established and Certified JEICO Research Institute
10 Registered and Certified Venture Enterprise
12 Patent registered for EMS Button (Reg. No. 20-0470404)
- 2014** 04 Participated in the 2014 Seoul International Machine Tool Show (SIMTOS) International Exhibition
09 Certified Explosion Proof Remote Controller(Ex ib IICT4), ever first and only one in Korea
- 2015** 08 Obtained CE marks for JREMO 8K and JREMO 10K
11 Qualified and Participated as a member of the 2015 Iran and Turkey Markets Development
12 Started to Open the markets of Iran and Turkey
- 2016** 04 Participated in the 15th G-Fair Tokyo Korean Products Exhibition and Conference
07 Factory moved to get a new affiliated building
10 Contracted with Iran partner as a sole agent of Iran
10 Participated in the Iran (Tehran) International Machine Exhibition
11 Obtained CE marks for JREMO 6K and JREMO 14K
12 Qualified and Participated as a member of the 2016 Vietnam Market Development
- 2017** 03 Selected as a successful company for the Inter-Industry-School Program
03 Obtained CE marks and RoSH for JREMO 3K and JREMO 6K+
04 Qualified and Participated as a member of the 2017 European Trade Mission
06 Qualified and Participated as a member of the 2017 Busan CIS Trade Mission
07 Design Patent registered for a Tx (Remote Controller)(Reg. No. 30-0918780)



Industrial wireless remote controls

require safety first and then varified quality and constisant performance to follow as an integral part of functions. JEICO, specialized in the field of radio remote controllers, who are a far major sharer of Korean markets now, can dare say JEICO means the name of 'safe and reliable' to use without question and also 'good to handle', we eagerly want to deliver and share a goodness as well as a happiness even in the dirty and dangerous sites.



Here are three things to sum up our Spirit and Commitment :
First, be **Speedy**
Second, be **Smart**
And the last, let them **Smile** all Smiles who are using our products!

JEICO Photo's in Full angle



JREMO 3K

- . Emergency Stop(EMS)
- . Safe Startup
- . Single & Double P/B
- . One-Touch Sync.

JREMO 4L

- . Emergency Stop(EMS)
- . Safe Startup
- . Single & Double P/B
- . Volume Control
- . One-Touch Sync.

JREMO 6K

- . Emergency Stop(EMS)
- . Safe Startup
- . Single & Double P/B
- . One-Touch Sync.

JREMO 6K+

- . Emergency Stop(EMS)
- . Safe Startup
- . Single & Double P/B
- . +1 Function Added
- . One-Touch Sync.
- . Versatile Functions

JREMO 8K

- . Emergency Stop(EMS)
- . Safe Startup
- . Single & Double P/B
- . One-Touch Sync.
- . Versatile Functions

JREMO 10K

- . Emergency Stop(EMS)
- . Safe Startup
- . Single & Double P/B
- . One-Touch Sync.
- . Dual Hoists
- . Versatile Functions

JREMO 10EX

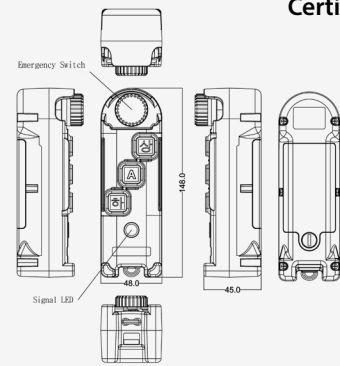
- . Explosion Proof Tx
- . Grade: Ex ib IIC T4
- . Same to 10K Functions
- . Korean Cert Nos. : 14-KB2BO-0403X & MSIP-CRM-JEI-JREMO-10EX

JREMO 14K

- . Emergency Stop(EMS)
- . Safe Startup
- . Single & Double P/B
- . One-Touch Sync.
- . Dual & Double Cranes
- . Versatile Functions

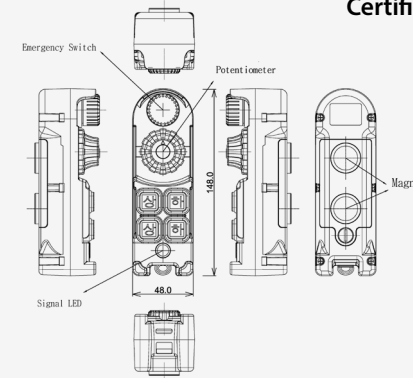
JREMO 3K

Material Nylon Fiber
Color Yellow(top), Black(bottom)
Weight Approx. 185 Gr.(Batteries Incl.)
Protection IP55



JREMO 4L

Material Nylon Fiber
Color Yellow(top), Black(bottom)
Weight Approx. 205 Gr.(Batteries Incl.)
Protection IP55



CLASSIFICATION

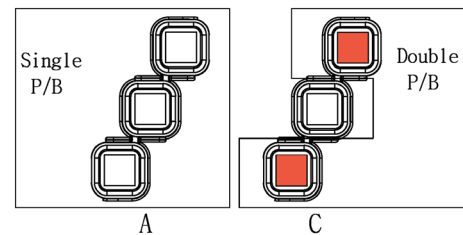
Model with Suffix	Buttons Type
JREMO 3K A	3 single-push buttons
JREMO 3K C	2 double-push buttons and 1 single-push button

Receiver Size : JREMO RX 2
 Standard : AC (110~220V)

Options : AC48V, AC380V, DC12~40(24~60)V

Model	JREMO 3K
Type	P. L. L.
Power Supply	AA 1.5V battery x 2 EA
Frequency	173MHz (35CH), 433MHz (70CH), 447MHz (32CH), 429MHz (40CH)

BUTTON ARRANGEMENT



CLASSIFICATION

Model with Suffix	Buttons Type
JREMO 4L A	4 standard single-push buttons
JREMO 4L B	4 double-push buttons
JREMO 4L C	4 up and down creep-push buttons

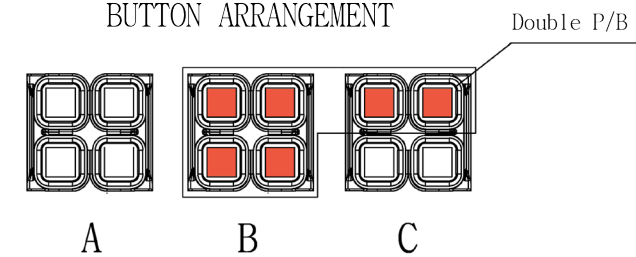
Receiver Size : JREMO RX 2

Standard : AC (110~220V)

Options : AC48V, AC380V, DC12~40(24~60)V

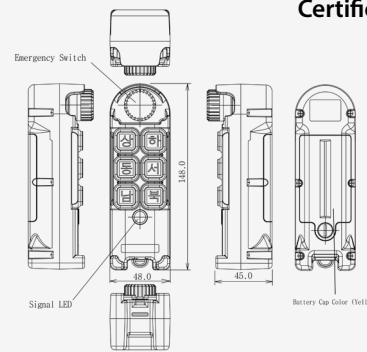
Model	JREMO 4L
Type	P. L. L.
Power Supply	Lithium-ion battery
Frequency	173MHz (35CH), 447MHz (32CH)

BUTTON ARRANGEMENT



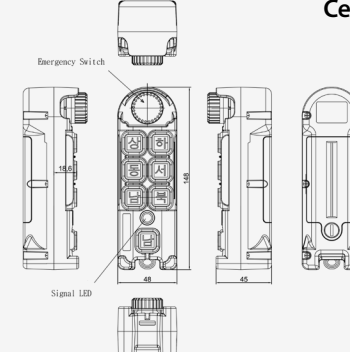
JREMO 6K

Material Nylon Fiber
Color Yellow(top), Black(bottom)
Weight Approx. 185 Gr.(Batteries Incl.)
Protection IP55



JREMO 6K+

Material Nylon Fiber
Color Yellow(top), Black(bottom)
Weight Approx. 185 Gr.(Batteries Incl.)
Protection IP55



CLASSIFICATION	
Model with Suffix	Buttons Type
JREMO 6K A	6 single-push buttons
JREMO 6K B	4 to 6 Double push buttons
JREMO 6K C	6 up and down creep-push buttons
JREMO 6K M	6 single-push buttons for special DC for automobile, etc.
JREMO 6K FA	4 single-push buttons for hoists
JREMO 6K FB	4 double-push buttons for hoists
JREMO 6K FC	4 up and down creep-push buttons for hoists
JREMO 6K FM	4 single-push buttons for special DC for automobile, etc.

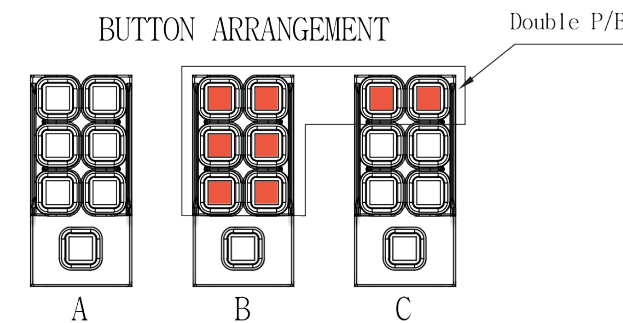
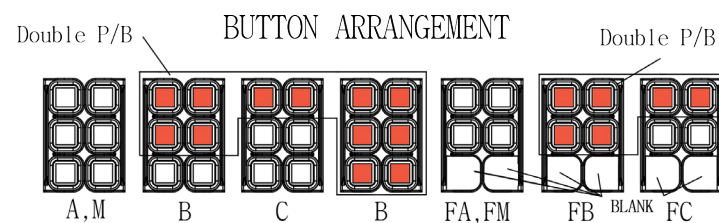
Model	JREMO 6K
Type	P. L. L.
Power Supply	AA 1.5V battery x 2 EA
Frequency	173MHz (35CH), 433MHz (70CH), 447MHz (32CH)

CLASSIFICATION	
Model with Suffix	Buttons Type
JREMO 6K+ A	7 single-push buttons
JREMO 6K+ B	4 double-push and 3 single-push buttons or 6 double-push buttons and 1 single-push button
JREMO 6K+ C	7 up and down creep-push buttons

Model	JREMO 6K+
Type	P. L. L.
Power Supply	AA 1.5V battery X 2 EA
Frequency	173MHz (35CH), 433MHz (70CH), 447MHz (32CH), 429MHz (40CH)

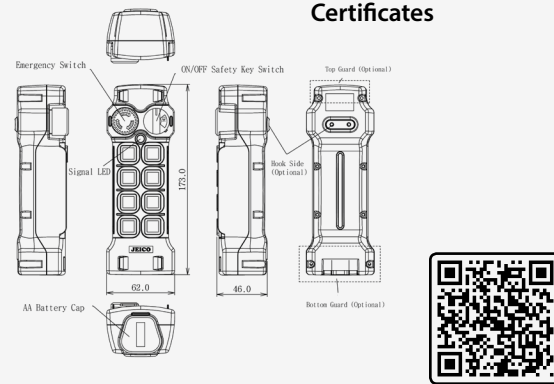
Receiver Size : JREMO RX 3
 Standard : AC (110~220V)
 Options : AC48V, AC380V, DC12~40(24~60)V

Receiver Size : JREMO RX 2
 Standard : AC (110~220V)
 Options : AC48V, AC380V, DC12~40(24~60)V



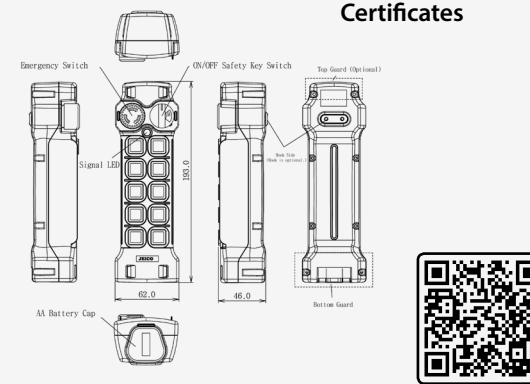
JREMO 8K

Material Nylon Fiber
Color Yellow(top), Black(bottom)
Weight Approx. 355 Gr.(Batteries Incl.)
Protection IP55



JREMO 10K

Material Nylon Fiber
Color Yellow(top), Black(bottom)
Weight Approx. 395 Gr.(Batteries Incl.)
Protection IP55



CLASSIFICATION	
Model with Suffix	Buttons Type
JREMO 8K A	8 single-push buttons
JREMO 8K B	6 double-push and 2 single-push buttons
JREMO 8K C	2 double-push and 6 single push buttons
JREMO 8K M	8 single-push buttons for special DC for automobile, etc.

Receiver Size : A,C : JREMO RX 2 / B,M : JREMO RX 3
 Standard : AC (110~220V)
 Options : AC48V, AC380V, DC12~40(24~60)V

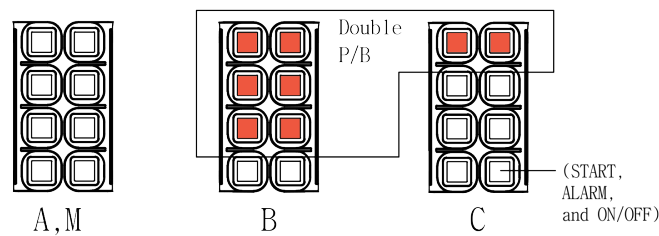
Model	JREMO 8K
Type	P. L. L.
Power Supply	AA 1.5V battery x 4 EA
Frequency	173MHz (35CH), 433MHz (70CH), 447MHz (32CH), 429MHz (40CH)

CLASSIFICATION	
Model with Suffix	Buttons Type
JREMO 10K A	10 single-push buttons
JREMO 10K A+	10 single-push buttons
JREMO 10K B	6 double-push and 4 single-push buttons
JREMO 10K C	2 double-push and 8 single-push buttons
JREMO 10K D	8 double-push and 2 single-push buttons
JREMO 10K M	10 single-push buttons for special DC for automobile, etc.

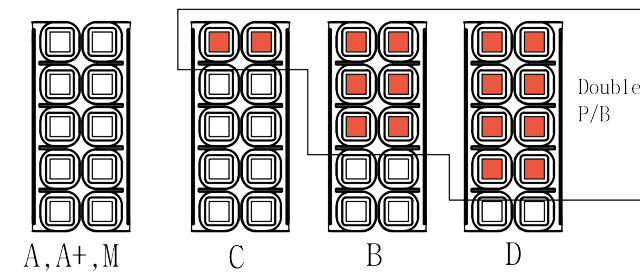
Receiver Size : JREMO RX 3 / A+ are JREMO RX 2
 Standard : AC (110~220V)
 Options : AC48V, AC380V, DC12~40(24~60)V

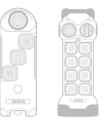
Model	JREMO 10K
Type	P. L. L.
Power Supply	AA 1.5V battery x 4 EA
Frequency	173MHz (35CH), 433MHz (70CH), 447MHz (32CH), 429MHz (40CH)

BUTTON ARRANGEMENT



BUTTON ARRANGEMENT





JREMO 10EX

Explosion-Proof Remote Control

Material ANTISTATIC ABS
Color Black(top), Black(bottom)
Weight Approx. 395 Gr.(Batteries Incl.)
Protection IP55

Certificates

JREMO 14K

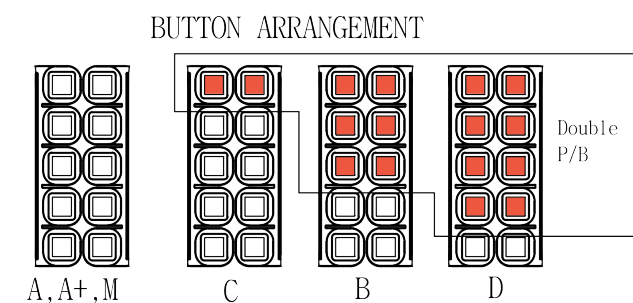
Material Nylon Fiber
Color Yellow(top), Black(bottom)
Weight Approx. 450 Gr.(Batteries Incl.)
Protection IP55

Certificates

CLASSIFICATION	
Model with Suffix	Buttons Type
JREMO 10EX A	10 single-push buttons
JREMO 10EX A+	10 single-push buttons
JREMO 10EX B	6 double-push and 4 single-push buttons
JREMO 10EX C	2 double-push and 8 single-push buttons
JREMO 10EX D	8 double-push and 2 single-push buttons

Model	JREMO 10EX
Type	P. L. L.
Power Supply	AA 1.5V battery x 4 EA
Frequency	447.6 ~ 447.9875MHz (32CH)

Receiver Size : JREMO RX 3 (Opt. JREMO RX-EX)
 Standard : AC (110~220V)
 Options : AC48V, AC380V, DC12~40(24~60)V

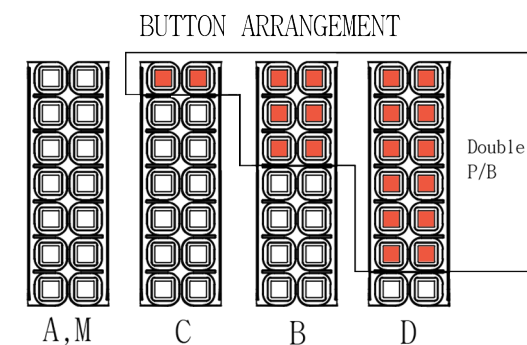


Optional Receiver JREMO RX-EX

CLASSIFICATION	
Model with Suffix	Buttons Type
JREMO 14K A	14 single-push buttons
JREMO 14K B	6 double-push and 8 single-push buttons
JREMO 14K C	2 double-push and 12 single-push buttons
JREMO 14K D	12 double-push and 2 single-push buttons
JREMO 14K M	14 single-push buttons for special DC for automobile, etc.

Model	JREMO 14K
Type	P. L. L.
Power Supply	AA 1.5V battery x 4 EA
Frequency	173MHz (35CH), 433MHz (70CH), 447MHz (32CH), 429MHz (40CH)

Receiver Size : A,C : JREMO RX 3 / B,D,M : JREMO RX 4
 Standard : AC (110~220V)
 Options : AC48V, AC380V, DC12~40(24~60)V



Industrial radio remote controls, which are essential in dangerous work sites or controlling huge machines, require high technology for safety, as well as the convenience of the users. JEICO stands out with the best product quality and leading-edge technology.



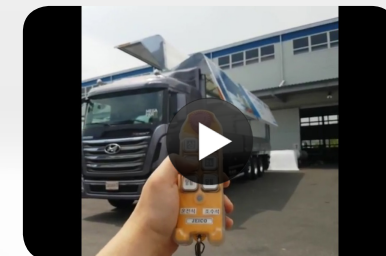
JEICO On Air (Asia Economy TV) https://youtu.be/8yU_OzBv5JU



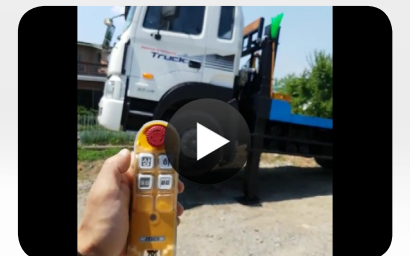
JEICO Mobile Catalog <https://makevu.me/bbf3342f39>



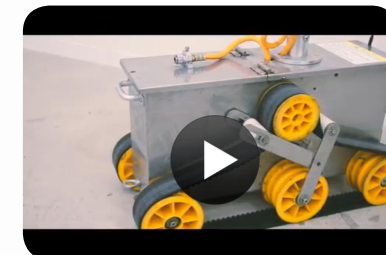
Crane Control (JREMO 8K) https://youtu.be/B_Qn_kyBVXo



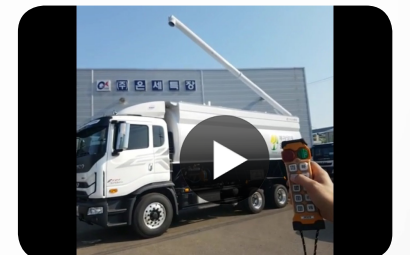
Wing Body Truck (JREMO 6K) https://youtu.be/_-7zdoBwhEs



Self-Loader Truck (JREMO 6KFA) <https://youtu.be/NN9svFeXAWI>



Smart Pest Control Machine (JREMO 4L) <https://youtu.be/Dw2GZYn6YLY>



Feed Truck (JREMO 10K) <https://youtu.be/GKct8bjzLc>

WE MAKE REMOTE THAT IS AWESOME

JEICO is a byword
for the qualified remote controls.

JEICO®



J Building, 94-1, Choryang-ro, Dong-gu,
Busan, 48805, Korea
Tel. +82-51-818-7727 Fax. +82-51-804-2150
Email. jeicorp@kita.net
Web. www.jeico.com

© Copyright 2018 JEICO All rights reserved.
No part(s) of this work, nor of the information
laid down herein and/or derivable herefrom and/or
developed in connection herewith, may be reproduced
or used in any form or by any means. Legal action will be
taken against infringements.

This content is subject to change without notice for quality improvement.

