



NENUTEC AIR - ROTARY DAMPER ACTUATOR

STANDARD 8 Nm | 16 Nm | 24 Nm | 32 Nm | 2 POINT AND 3 POINT CONTROL

NEAA...08/16/24/32 (S) SERIES

NENUTEC standard damper actuators are especially designed and produced for applications in the HVAC systems. Our wide range of NENUTEC standard damper actuators has been developed to operate and position air dampers of different sizes.



Pictures might not correspond with technical data.

- Damper size 1.5 m² / 3.0 m² / 4.5 m² / 6.0 m²
- Power supply AC/DC 24V and AC 230V
- Control 2 point and 3 point
- 2 adjustable auxiliary switches (SPDT)
- Digital greentech technology
- Shaft dimensions
Ø 10 to 20 mm round / 10 to 16 mm square
minimum shaft length 50 mm
- Selectable direction of rotation
- Adjustable angle of rotation
- Customer version (on request)

MODEL SELECTION TABLE

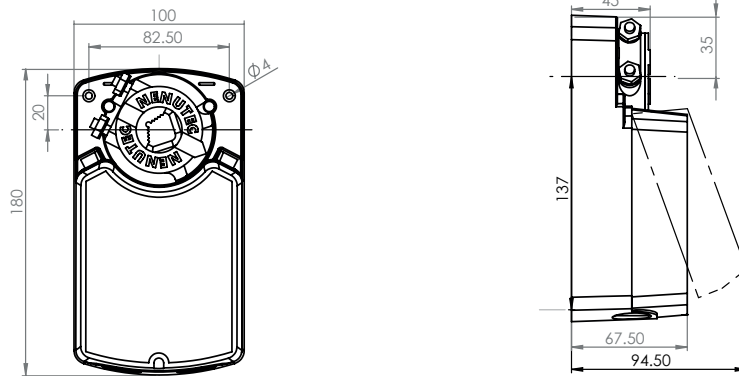
Torque	Running time	Power supply	Auxiliary Switches	Model / Type
8 Nm	40 sec	AC/DC 24 V ± 15%	No	NEAA24-08
8 Nm	40 sec	AC/DC 24 V ± 15%	2 x SPDT	NEAA24-08S
8 Nm	40 sec	AC 230V ± 10%	No	NEAA230-08
8 Nm	40 sec	AC 230V ± 10%	2 x SPDT	NEAA230-08S
16 Nm	90 sec	AC/DC 24 V ± 15%	No	NEAA24-16
16 Nm	90 sec	AC/DC 24 V ± 15%	2 x SPDT	NEAA24-16S
16 Nm	90 sec	AC 230V ± 10%	No	NEAA230-16
16 Nm	90 sec	AC 230V ± 10%	2 x SPDT	NEAA230-16S
24 Nm	140 sec	AC/DC 24 V ± 15%	No	NEAA24-24
24 Nm	140 sec	AC/DC 24 V ± 15%	2 x SPDT	NEAA24-24S
24 Nm	140 sec	AC 230V ± 10%	No	NEAA230-24
24 Nm	140 sec	AC 230V ± 10%	2 x SPDT	NEAA230-24S
32 Nm	190 sec	AC/DC 24 V ± 15%	No	NEAA24-32
32 Nm	190 sec	AC/DC 24 V ± 15%	2 x SPDT	NEAA24-32S
32 Nm	190 sec	AC 230V ± 10%	No	NEAA230-32
32 Nm	190 sec	AC 230V ± 10%	2 x SPDT	NEAA230-32S



NENUTEC AIR - ROTARY DAMPER ACTUATOR

STANDARD 8 Nm | 16 Nm | 24 Nm | 32 Nm | 2 POINT AND 3 POINT CONTROL

ACTUATOR DIMENSIONS (mm)



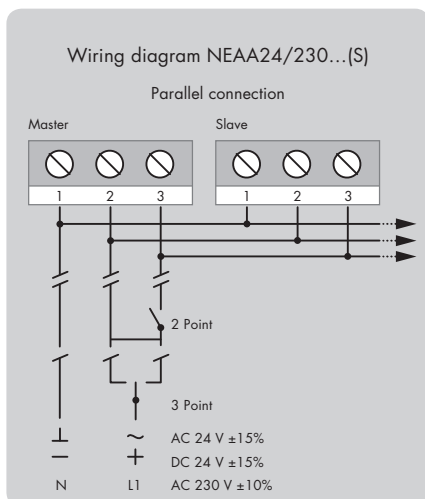
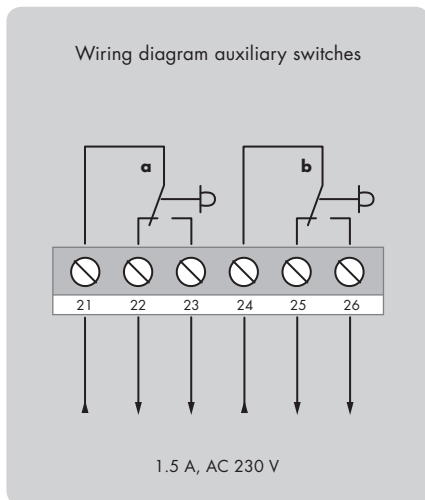
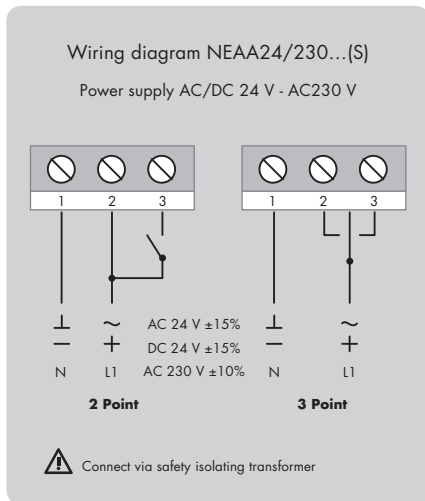
TECHNICAL SPECIFICATIONS

	NEAA24...(S)	NEAA230...(S)
Torque	8 Nm / 16 Nm / 24 Nm / 32 Nm	8 Nm / 16 Nm / 24 Nm / 32 Nm
Damper size	1.5 m ² / 3.0 m ² / 4.5 m ² / 6.0 m ²	1.5 m ² / 3.0 m ² / 4.5 m ² / 6.0 m ²
Shaft dimensions	Ø 10 to 20 mm round / 10 to 16 mm square	Ø 10 to 20 mm round / 10 to 16 mm square
Power supply	AC/DC 24V ± 15%	AC 230V ± 10%
Frequency	50 - 60 Hz	50 - 60 Hz
Control signal	2 point and 3 point	2 point and 3 point
Power consumption		
- Operating	2.5 W	2.5 W
- End position	0.2 W	0.2 W
For wire sizing	6.5 VA	6.5 VA
Auxiliary switch rating	1.5 A, AC 230 V	1.5 A, AC 230 V
Protection class	III ⚡	II ⚡
Angle of rotation	0°...90° (93° mechanical)	0°...90° (93° mechanical)
Angle of limiting	0°...90° in 5° steps	0°...90° in 5° steps
Weight	1.2 kg - 1.4 kg	1.3 kg - 1.5 kg
Life cycle	60'000 rotation	60'000 rotation
Sound level	45 dB (A)	45 dB (A)
IP protection	IP 54 (dust protected & protected against splash water)	IP 54 (dust protected & protected against splash water)
Operating temperature	-20°...+50° C / IEC 721-3-3	-20°...+50° C / IEC 721-3-3
Non-operating temperature	-30°...+80° C / IEC 721-3-2	-30°...+80° C / IEC 721-3-2
Ambient humidity	5%...95% rH non condensing / EN 60730-1	5%...95% rH non condensing / EN 60730-1
Maintenance	Maintenance free	Maintenance free
Mode of operation	Type I / EN 60730-1	Type I / EN 60730-1
EMC	CE according to 2004 / 108 / EC	CE according to 2004 / 108 / EC



NENUTEC AIR - ROTARY DAMPER ACTUATOR

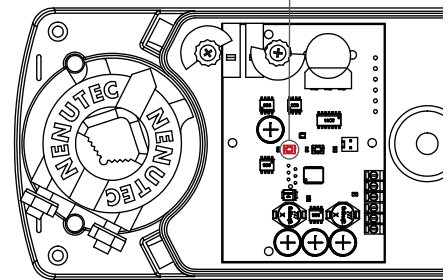
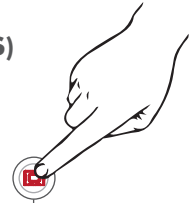
STANDARD 8 Nm | 16 Nm | 24 Nm | 32 Nm | 2 POINT AND 3 POINT CONTROL



■ Changing direction of rotation NEAA24/230...(S)

Factory setting CW!

The direction of rotation can be changed by pushing micro switch SW1 for **1-2** seconds.



The green LED indicates the selected rotation direction with pulses.

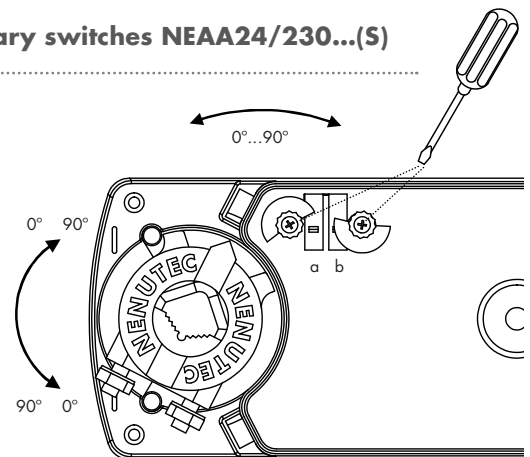


■ Adjustment of auxiliary switches NEAA24/230...(S)

Switch **a** factory-set at 10°

Switch **b** factory-set at 80°

The auxiliary switches can be optimally adjusted between 0°...90°.



■ Remark

Parallel connection of maximum five NEAA...(S) actuators is possible. The power consumption and distance between master and slave must be observed.

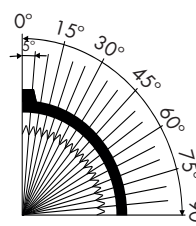
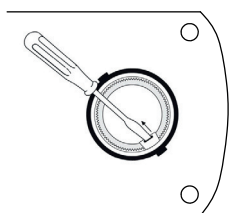
For more details of installation and commissioning, please observe our



NENUTEC AIR - ROTARY DAMPER ACTUATOR

STANDARD 8 Nm | 16 Nm | 24 Nm | 32 Nm | 2 POINT AND 3 POINT CONTROL

■ Limiting angle of rotation NEAA24/230...(S)



⚠ SAFETY NOTES

- The NE... actuators are not allowed to be used outside the specified field of application as described at the front page of this data sheet.
- Only to be installed by skill educated persons. Any legal regulations or issued by authorities must be observed during installation.
- This actuator includes electrical and electronic components and may not be disposed as household garbage. Please consider the local valid legislation.
- The NE... actuator may only opened by NENUTEC manufacturer site. Device does not contain any parts that can be replaced by user.
- AC 24V - 50/60 Hz - DC 24V: Connect via safety isolating transformer.
- AC 230V: To isolate from the main power supply, the system must incorporate a device which disconnects the phase conductor (with at least 3 mm contact gap).

⚠ IMPORTANT REMARKS

This actuator includes electrical and electronic components and may not be disposed as household garbage. Please consider the local valid legislation.



AC/DC 24 V: Connect via safety isolating transformer. AC 230 V: To isolate from the main power supply, the system must incorporate a device which disconnects the phase conductor (with at least a 3 mm contact gap).

Consult NENUTEC representatives for specific requirements and material selections for your intended application. The entire content of this technical datasheet is protected by copyright with all rights reserved ©.

The performance specifications are nominal and conform to acceptable industry standards. NENUTEC shall not be liable for damages resulting from misapplication or misuse of its products.

CUSTOMISED VERSION

NENUTEC offers you actuators in customised versions, e.g. with your own brand name, with colour-coordinated applications and with your particular demand on request.

Please contact us for further information.

NENUTEC AG

Schachenstrasse 80
 CH - 8645 Jona/SG - Switzerland
 T: +41 55 224 40 60
 F: +41 55 224 40 69
 www.nenutec.com

Distributor

Distributor