



Single-Pole High Performance

Qualified

To MS22073 of MIL-C-5809

Lightweight

Under 33 grams (.073 lbs)

High Interrupting Capacity

Interrupts up to 6,000A circuit at 30V, DC; and up to 3,500A circuit at 120V, 400 Hz. AC.

Not Sensitive To Frequency Or Voltage

Breaker may be used on either AC or DC circuits.

Performance Rated Circuit Breaker

Meets or exceeds military specification requirements for durability, vibration, mechanical shock, and acceleration. Precision internal design provides a time-temperature characteristic capable of protecting either wire or equipment. With a case 1 1/2 inches long, the breaker weighs less than 33 grams, and is ideal for today's demanding design requirements.

PERFORMANCE DATA

Interrupting Capacity	1 to 5A: 6,000A at 30V, DC. 7 1/2 to 25A: 2,000A at 30V, DC 1A: 3,500A at 120V, 400 Hz., AC. 2 to 5A: 800A at 120V, 400 Hz., AC 7 1/2 to 25A: 500A at 120V, 400 Hz., AC
Endurance*	At 120V, 400 Hz., AC, or 28V, DC: inductive load — 2,500 cycles; resistive load — 5,000 cycles; mechanical cycling, no load — 5,500 cycles
Overload Cycling	100 operations at 200% rated current and rated voltage
Dielectric Strength	1,500V, minimum
Insulation Resistance	Not less than 100 megohms at 500V, DC
Voltage Drop	Varies with rating (see "Ordering Information")
Vibration*	Meets specification MIL-STD-202, Method 204, Condition A, 10G, 10-500 Hz. MS "V" type (4001-008) meets Condition B, 15G, 10-2,000 Hz. and Condition C, 10G, 10-2,000 Hz. MS "D" type (4001-011) meets Random Vibration levels
Shock*	Exceeds 30G's, 11 Millisec (half-sine pulse) MIL-STD-202, Method 213 Test J
Acceleration	Exceeds 10G's
Weight	33 grams (0.073 lbs.)

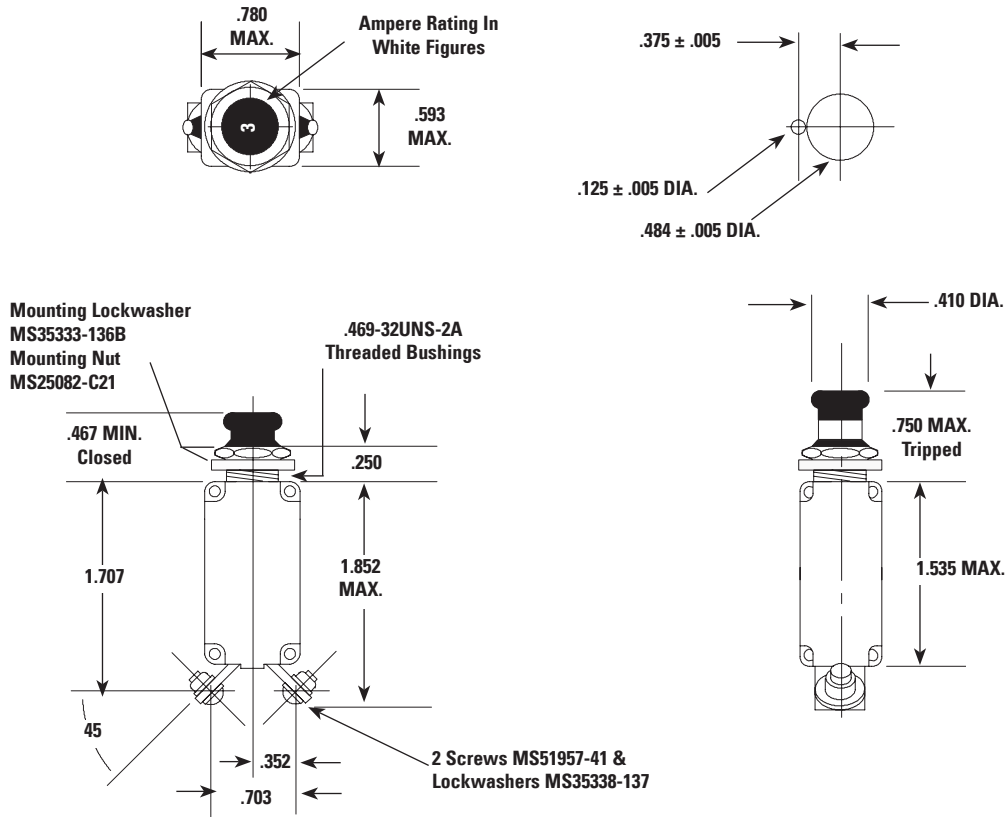
* Variations of these circuit breakers are capable of exceeding the standard Mil specification for endurance, vibration, and shock. Consult the business unit for more information.

OVERLOAD CALIBRATION DATA

Specification Table	@ 25°C		@ +71°C		@ -55°C		Test Time Parameters
	MIN	MAX	MIN	MAX	MIN	MAX	
Must Hold	115	—	90	—	135	—	% For 1 Hour
Must Trip	—	150	—	130	—	180	% Within 1 Hour
200% Overload	2.000	20.0	—	—	—	—	Seconds
500% Overload	0.160	2.0	—	—	—	—	Seconds
1000% Overload	0.046	0.5	—	—	—	—	Seconds

Trip curve available

DIMENSIONS



TRIP CURVE

