



Standard

**Three-Phase Protection**

**Qualified**

To MS14154 of MIL-C-5809.

**Lightweight**

Weighs 68 grams maximum (0.15 lbs).

**Vibration Resistance**

Vibration resistance and mechanical life exceed MIL Specs — including random vibration.

**Miniature Size — High Performance**

19.8mm, 46.7mm, 35.0mm behind panel depth.

**Temperature-Compensated**

Ambient-temperature-compensated from -55°C to +71°C. Note: higher operating ranges are available.

**Performance Rated Circuit Breaker**

This lightweight, miniature, three-phase circuit breaker, Series 4330, reflects the latest advancements in circuit breaker design, incorporating self-wiping contacts, tight tolerances in design, and stringent manufacturing standards. It is fungus-proof and highly resistant to corrosion. The trip-free thermal mechanism avoids nuisance trips (even during temporary surges of starting loads) under ambient temperatures ranging from -55°C to +71°C. Calibration integrity is maintained through wide variations in ambient temperature and altitude, making this circuit breaker ideal for applications where temperature is not controlled.

**Multiple Options**

This series is available in many optional configurations.

*It is presently being manufactured with 7/16, 15/32 and metric mounting sleeves. Many versions of different terminals, barriers, and hardware are current production items. Several different button options provide our customers with additional flexibility.*

**PERFORMANCE DATA**

<b>Interrupting Capacity</b>	1,200A balanced at 205V, 400Hz, AC and 2,000A unbalanced at 120V, 400Hz, AC, at sea level and 70,000 feet
<b>Endurance</b>	120V, 400 Hz., AC: inductive load — 2,500 cycles; resistive load — 5,000 cycles; mechanical cycling no load — 5,000 cycles
<b>Overload Cycling</b>	100 cycles at 200%
<b>Dielectric Strength</b>	At sea level, 25°C 1,500V, AC. At 70,000 ft. +71°C 500V, AC
<b>Insulation Resistance</b>	Not less than 100 megohms at 500V, DC
<b>Voltage Drop</b>	Varies with rating (see "Ordering Information")
<b>Vibration</b>	Meets specification MIL-STD-202, Method 204, Condition A-10G., 10-500 Hz. MS "V" type, meets Condition B, 15G, 10-2,000 Hz. and Condition C 10G, 10-2,000 Hz.
<b>Shock</b>	50G's. MIL-STD-202, Method 213 Test G
<b>Acceleration</b>	Exceeds 10G's
<b>Weight</b>	68 grams max. (0.15 lbs.)

**OVERLOAD CALIBRATION DATA**

Specification Table	@ 25°C		@ +71°C		@ -55°C		Test Time Parameters
	MIN	MAX	MIN	MAX	MIN	MAX	
Must Hold	110	—	100	—	110	—	% For 1 Hour
Must Trip	—	145	—	145	—	165	% Within 1 Hour
200% Overload	4.00	20.00	3.00	20.00	6.00	40.00	Seconds
500% Overload	0.40	2.00	0.33	1.70	0.55	3.50	Seconds
1000% Overload	0.10	0.53	0.08	0.40	0.15	0.80	Seconds

**ORDERING INFORMATION**

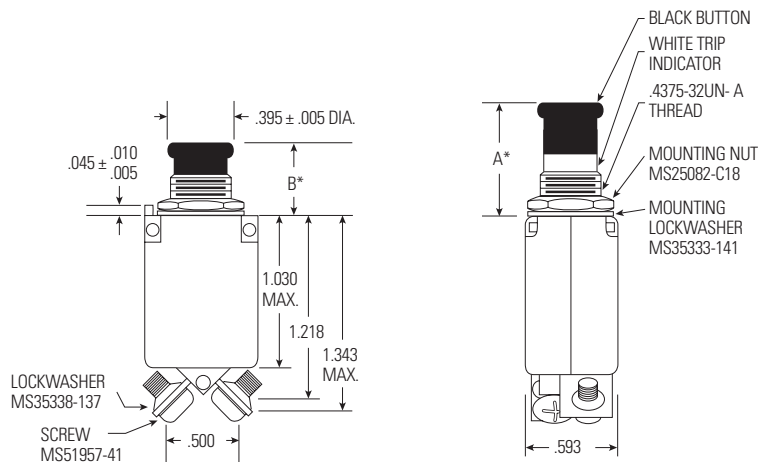
MS APPROVAL STATUS	AMPERE RATING	VOLTAGE DROP MAX *	MS P/N	STANDARD	LONG BUTTON	HIGH VIBRATION	LONG BUTTON VIBRATION
				SAFRAN MP P/N	SAFRAN MS P/N	SAFRAN MP P/N	SAFRAN MS P/N
MS Approved	1	1.10	MS14154-1	4330-001-1	MS14154-1L	4330-007-1	MS14154-1VL
MS Approved	2	0.75	MS14154-2	4330-001-2	MS14154-2L	4330-007-2	MS14154-2VL
MS Approved	2 1/2	0.70	MS14154-2 1/2	4330-001-205	MS14154-2 1/2L	4330-007-205	MS14154-2 1/2VL
MS Approved	3	0.55	MS14154-3	4330-001-3	MS14154-3L	4330-007-3	MS14154-3VL
MS Approved	4	0.45	MS14154-4	4330-001-4	MS14154-4L	4330-007-4	MS14154-4VL
MS Approved	5	0.35	MS14154-5	4330-001-5	MS14154-5L	4330-007-5	MS14154-5VL
MS Approved	7 1/2	0.30	MS14154-7 1/2	4330-001-705	MS14154-7 1/2L	4330-007-705	MS14154-7 1/2VL
MS Approved	10	0.28	MS14154-10	4330-001-10	MS14154-10L	4330-007-10	MS14154-10VL
MS Approved	15	0.28	MS14154-15	4330-001-15	MS14154-15L	4330-007-15	MS14154-15VL
MS Approved	20	0.25	MS14154-20	4330-001-20	MS14154-20L	4330-007-20	MS14154-20VL

\* AT RATED NOMINAL CURRENT  
For other amperage ratings and configurations, consult the Business Unit.

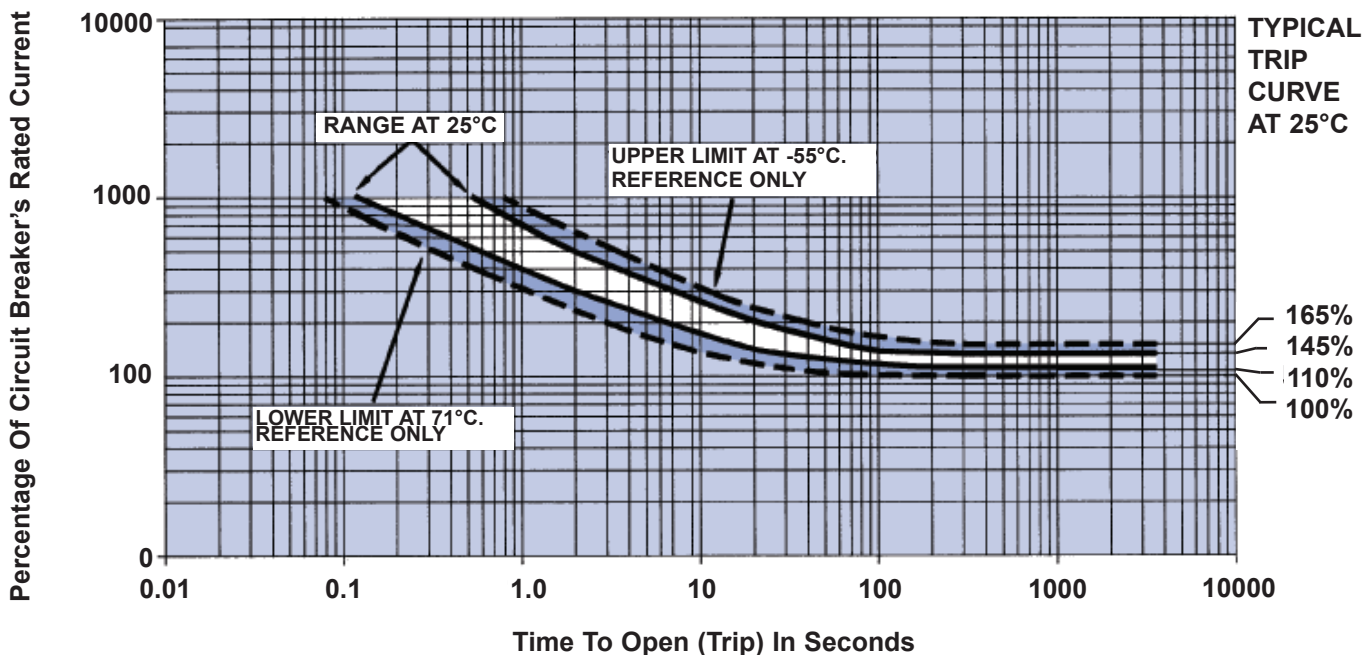
**DIMENSIONS**

MIL Spec	Part No.	A*Max.	B*Min.
MS14154	4330-001	0.750	0.470
MS14154L	4330-007	1.125	0.845
MS14154V	4330-008	0.750	0.470
MS14154VL	4330-009	1.125	0.845

Min. Panel Thickness .025  
 Max. Panel Thickness .100



**TRIP CURVE**



"Safran Electrical & Power Proprietary Information. Information contained in this document is Safran Electrical & Power Proprietary Information and is disclosed in confidence. It is the property of Safran Electrical & Power and shall not be used, disclosed to others, or reproduced without the express written agreement of Safran Electrical & Power. If consent is given for reproduction in whole or in part, this notice set forth on each page of this document shall appear in any such reproduction in whole or in part. Unauthorized export or re-export is prohibited."