



Elektrim[®]
Motors

Elektrim NEMA Premium[®] Severe Duty Motors

Extra Strong Super Resilient Performance in Tough Applications and Environments

1-250 HP 3PH TEFC 60 Hz NEMA AC Foot Mounted and C-Face Motors

Features

- Ultra-strong oversized ball bearings on both ends for extra strength and durability
- High starting torque
- High service factor up to 1.4
- IP55 water-tight and dust-proof TEFC enclosure
- Moisture resistant tropicalization
- High temperature protected Class H wiring
- Cast iron construction including junction box, end brackets and fan guard (double gauge reinforced steel fan guard 320T and up for reduced weight and increased air flow)
- Vacuum pressure impregnation for the most dependable failsafe electrical performance
- Low vibration level (below 0.08 in/sec)
- Inverter duty rated 10:1CT and 20:1VT
- V- Ring up to 286T, **Labyrinth seal 324T and up**
- High temperature grease
- 213T and larger suitable for wye/delta starting
- Designed for horizontal and vertical application
- CSA-US certified, DOE approved, CE and NEMA Premium marked
- 3-Year warranty

Applications

Ideal for hard-wearing applications in petrochemical plants, refineries, tropical climates, mines, foundries, pulp and paper mills, waste management facilities, quarries and processing factories.

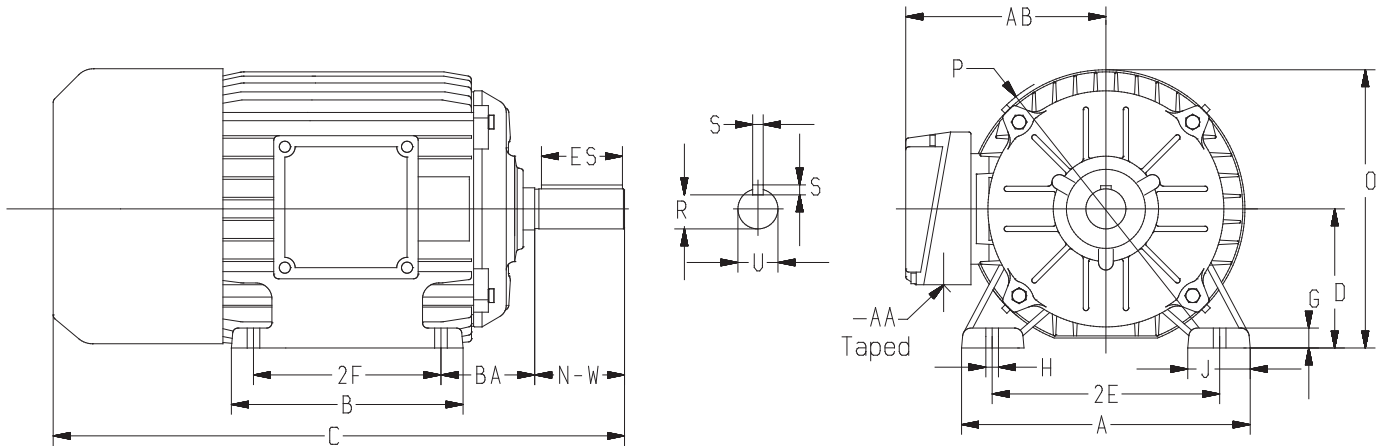
**NEMA
Premium**



Foot Mounted NEMA Premium® Severe Duty Motors - Mounting Dimensions

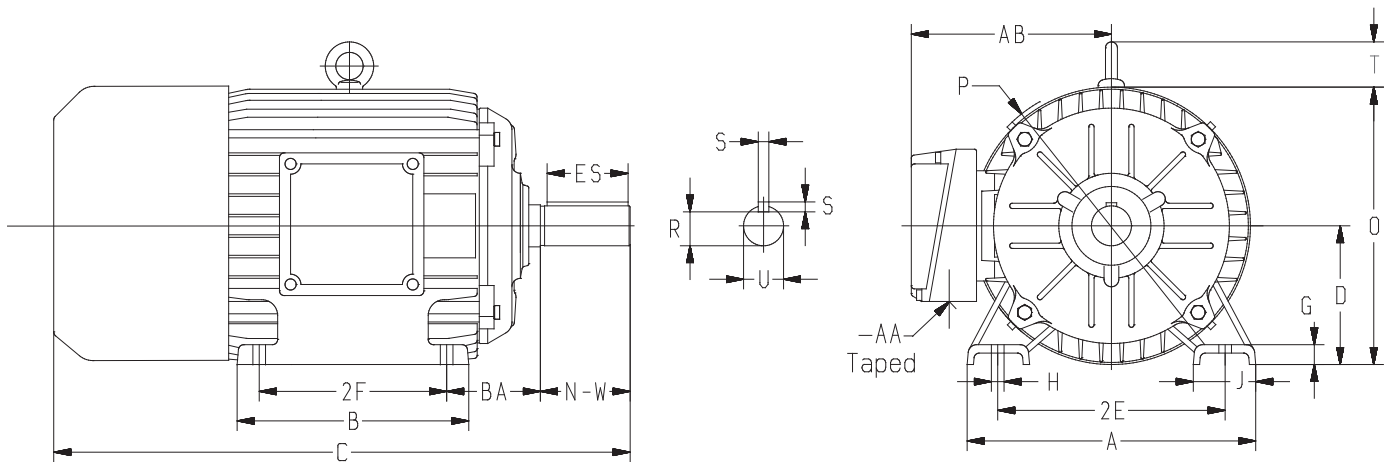
Severe Duty Premium 60N Series – 143T-286TS Footed

143T-145T



Frame	# of Poles	Mounting Dimensions											Overall Dimensions								
		A	B	D	2E	2F	H	R	U	N-W	AA	BA	ES	C	G	J	O	P	S	AB	Bearings
143T	2,4,6	6.62	5.83	3.5	5.5	4	0.34	0.771	0.875	2.25	3/4	2.25	1.52	14.2	0.39	1.66	7.48	8.27	0.188	6.5	6205 2Z
145T	2,4,6	6.62	7	3.5	5.5	5	0.34	0.771	0.875	2.25	3/4	2.25	1.52	15.15	0.39	1.66	7.48	8.27	0.188	6.5	6205 2Z

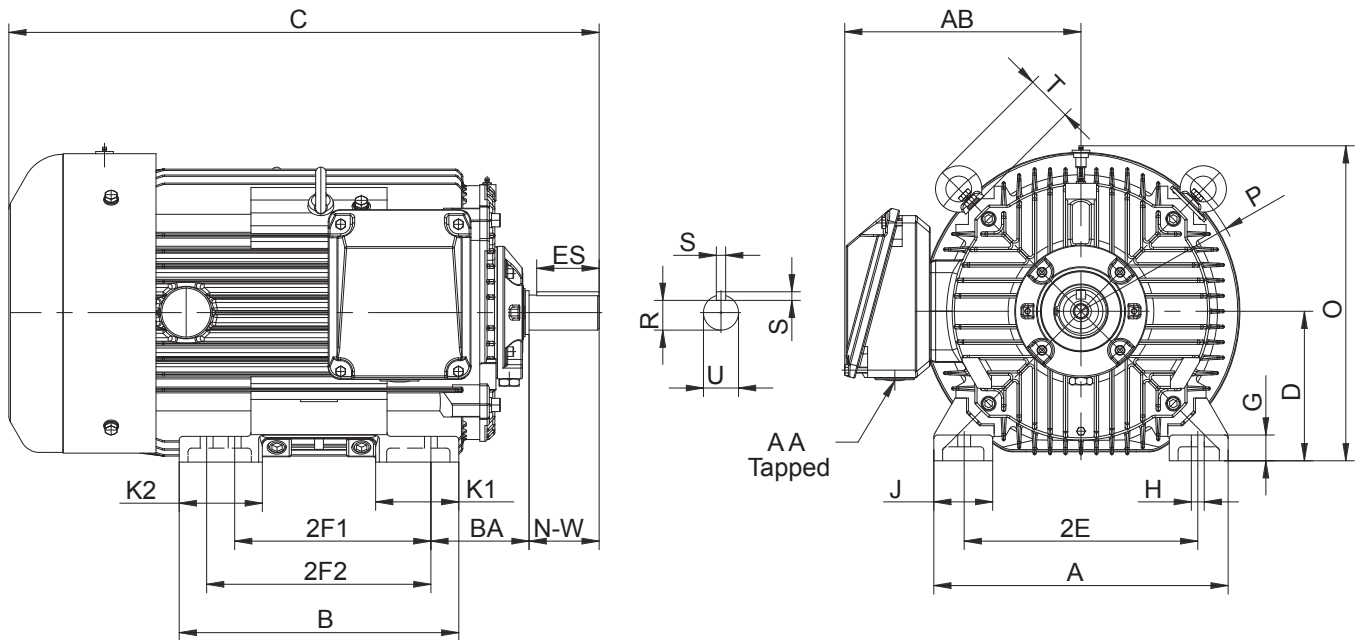
182T-286TS



Frame	# of Poles	Mounting Dimensions											Overall Dimensions									
		A	B	D	2E	2F	H	R	U	N-W	AA	BA	ES	C	G	J	O	P	S	T	AB	Bearings
182T	2,4,6	9	8.31	4.5	7.5	4.5	0.41	0.986	1.125	2.75	1	2.75	1.94	17.7	0.6	2.13	9.09	9.53	0.25	1.77	7.9	6306 2Z
184T	2,4,6	9	8.31	4.5	7.5	5.5	0.41	0.986	1.125	2.75	1	2.75	1.94	17.7	0.6	2.13	9.09	9.53	0.25	1.77	7.9	6306 2Z
213T	2,4,6	10.24	8.7	5.25	8.5	5.5	0.41	1.201	1.375	3.38	1	3.5	2.55	22.25	0.67	2.2	10.96	11.61	0.312	2.08	8.92	6308/6 2Z
215T	2,4,6	10.24	10.28	5.25	8.5	7	0.41	1.201	1.375	3.38	1	3.5	2.55	22.88	0.67	2.2	10.96	11.61	0.312	2.08	8.92	6308/6 2Z
254T	2,4,6	12.28	9.92	6.25	10	8.25	0.55	1.416	1.625	4	1 1/4	4.25	3.11	25.83	0.58	2.36	13.18	14.17	0.375	2.08	10.08	6309 2Z
256T	2,4,6	12.28	11.65	6.25	10	10	0.55	1.416	1.625	4	1 1/4	4.25	3.11	27.6	0.58	2.36	13.18	14.17	0.375	2.08	10.08	6309 2Z
284T	4,6	13.78	13.11	7	11	9.5	0.55	1.591	1.875	4.62	1 1/2	4.75	3.53	31.16	0.89	2.75	14.01	14.17	0.5	2.08	10.34	6311 2Z
284TS	2	13.78	13.11	7	11	9.5	0.55	1.416	1.625	3.25	1 1/2	4.75	2.1	27.2	0.89	2.75	14.01	14.17	0.375	2.08	10.34	6311 2Z
286T	4,6	13.78	13.11	7	11	11	0.55	1.591	1.875	4.62	1 1/2	4.75	3.53	31.16	0.89	2.75	14.01	14.17	0.5	2.08	10.34	6311 2Z
286TS	2	13.78	13.11	7	11	11	0.55	1.416	1.625	3.25	1 1/2	4.75	2.1	27.2	0.89	2.75	14.01	14.17	0.375	2.08	10.34	6311 2Z

Foot Mounted NEMA Premium® Severe Duty Motors - Mounting Dimensions

Severe Duty Premium 60N Series – 324TS-447T Footed



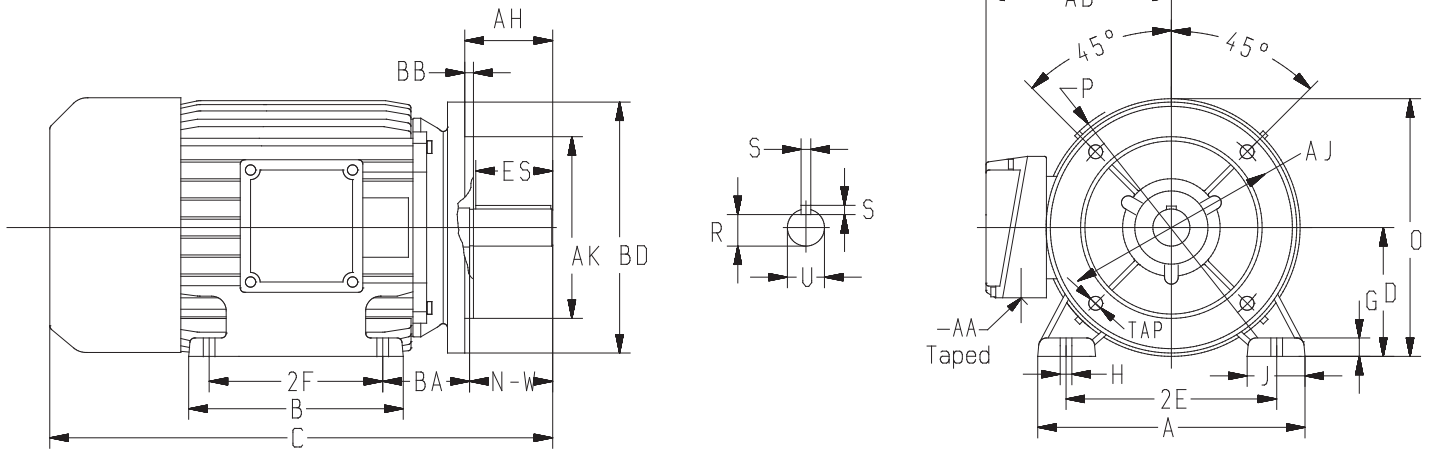
Frame	# of Poles	Mounting Dimensions											
		D	2E	2F1	2F2	G	H	Shaft End					
								BA	ES	N-W	R	S	U
324TS	2	8	12.5	10.5	12	1.38	0.66	5.25	2.75	3.75	1.591	0.5	1.875
324T	4,6	8	12.5	10.5	12	1.38	0.66	5.25	4.33	5.25	1.845	0.5	2.125
326TS	2	8	12.5	10.5	12	1.38	0.66	5.25	2.75	3.75	1.591	0.5	1.875
326T	4,6	8	12.5	10.5	12	1.38	0.66	5.25	4.33	5.25	1.845	0.5	2.125
364TS	2	9	14	11.25	12.25	1.49	0.66	5.88	2.75	3.75	1.591	0.5	1.875
364T	4,6	9	14	11.25	12.25	1.49	0.66	5.88	4.92	5.88	2.021	0.625	2.375
365TS	2	9	14	11.25	12.25	1.49	0.66	5.88	2.75	3.75	1.591	0.5	1.875
365T	4,6	9	14	11.25	12.25	1.49	0.66	5.88	4.92	5.88	2.021	0.625	2.375
404T	6	10	16	12.25	13.75	1.57	0.81	6.62	6.3	7.25	2.45	0.75	2.875
405TS	2	10	16	12.25	13.75	1.57	0.81	6.62	3.5	4.25	1.845	0.5	2.125
405T	4,6	10	16	12.25	13.75	1.57	0.81	6.62	6.3	7.25	2.45	0.75	2.875
444TS	2	11	18	14.5	16.5	1.57	0.81	7.5	4.3	4.75	2.021	0.625	2.375
444T	4,6	11	18	14.5	16.5	1.57	0.81	7.5	7.9	8.5	2.88	0.875	3.375
445TS	2	11	18	14.5	16.5	1.57	0.81	7.5	4.3	4.75	2.021	0.625	2.375
445T	4,6	11	18	14.5	16.5	1.57	0.81	7.5	7.9	8.5	2.88	0.875	3.375
447TS	2	11	18	20	-	1.654	0.81	7.5	4.3	4.75	2.021	0.625	2.375
447T	4,6	11	18	20	-	1.654	0.81	7.5	7.9	8.5	2.88	0.875	3.375

Frame	# of Poles	Overall Dimensions											
		A	AA	AB	B	C	J	K1	K2	O	P	T	Bearings
324TS	2	15.8	2	13	15	31.6	3.15	4.45	4.45	16.9	17.9	2.5	6312C3
324T	4,6	15.8	2	13	15	33.1	3.15	4.45	4.45	16.9	17.9	2.5	6312C3
326TS	2	15.8	2	13	15	31.6	3.15	4.45	4.45	16.9	17.9	2.5	6312C3
326T	4,6	15.8	2	13	15	33.1	3.15	4.45	4.45	16.9	17.9	2.5	6312C3
364TS	2	17.5	3	14.2	15	33.6	3.35	4.53	4.53	18.8	19.9	2.5	6313C3
364T	4,6	17.5	3	14.2	15	35.7	3.35	4.53	4.53	18.8	19.9	2.5	6313C3
365TS	2	17.5	3	14.2	15	33.6	3.35	4.53	4.53	18.8	19.9	2.5	6313C3
365T	4,6	17.5	3	14.2	15	35.7	3.35	4.53	4.53	18.8	19.9	2.5	6313C3
404T	6	18.9	3	15.5	17.6	40.4	3.54	5.32	5.32	20.8	21.3	2.95	6315C3
405TS	2	18.9	3	15.5	17.6	37.4	3.54	5.32	5.32	20.8	21.3	2.95	6315C3
405T	4,6	18.9	3	15.5	17.6	40.4	3.54	5.32	5.32	20.8	21.3	2.95	6315C3
444TS	2	21.7	2x3	17.6	20.5	42	4.15	5.12	6.5	23.4	24.4	3.75	6315C3
444T	4,6	21.7	2x3	17.6	20.5	45.7	4.15	5.12	6.5	23.4	24.4	3.75	6318C3
445TS	2	21.7	2x3	17.6	20.5	42	4.15	5.12	6.5	23.4	24.4	3.75	6315C3
445T	4,6	21.7	2x3	17.6	20.5	45.7	4.15	5.12	6.5	23.4	24.4	3.75	6318C3
447TS	2	22.1	2x3	19.5	24	46.3	4.18	6.8	6.8	23.4	24.4	3.75	6315C3
447T	4,6	22.1	2x3	19.5	24	50	4.18	6.8	6.8	23.4	24.4	3.75	6318C3

NEMA Premium® Severe Duty Motors - Mounting Dimensions

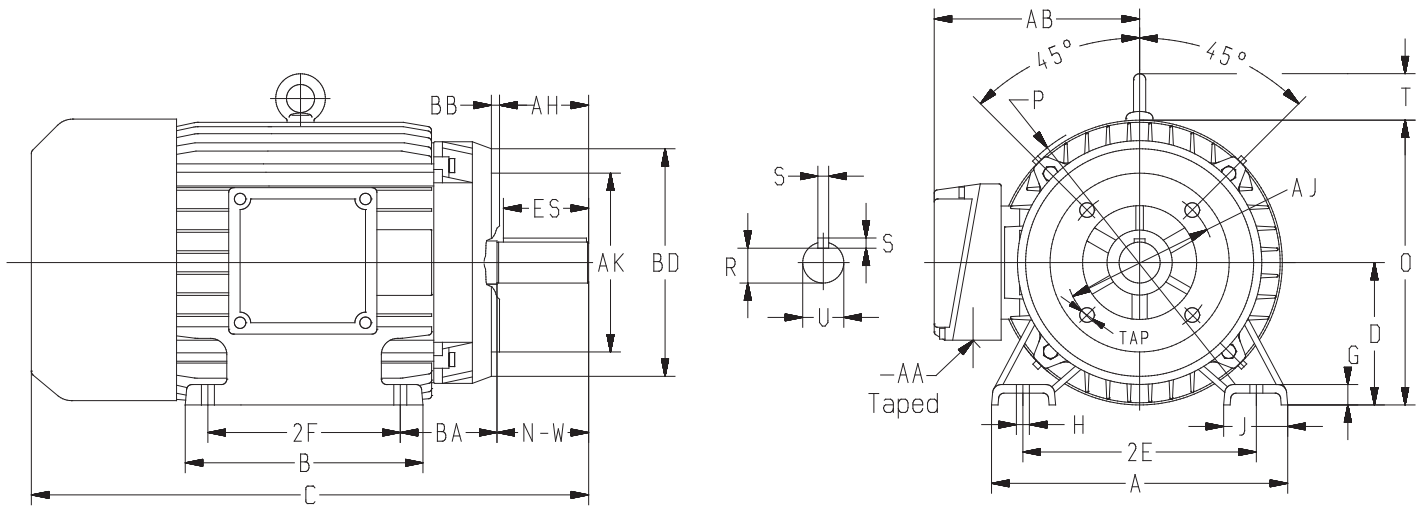
Severe Duty Premium 60N Series – 143TC-286TSC C-Face

143TC-145TC



Frame	# of Poles	Mounting Dimensions															Overall Dimensions										
		A	B	D	2E	2F	H	R	S	U	AH	AJ	AK	BA	BB	BD	ES	C	G	J	O	P	N-W	AA	AB	Tap	Bearings
143TC	2,4,6	6.62	5.83	3.5	5.5	4	0.34	0.771	0.188	0.875	2.12	5.875	4.5	2.25	0.16	6.5	1.52	14.2	0.39	1.66	7.48	8.27	2.25	3/4	6.5	3/8/16	6205 2Z
145TC	2,4,6	6.62	7	3.5	5.5	5	0.34	0.771	0.188	0.875	2.12	5.875	4.5	2.25	0.16	6.5	1.52	15.15	0.39	1.66	7.48	8.27	2.25	3/4	6.5	3/8/16	6205 2Z

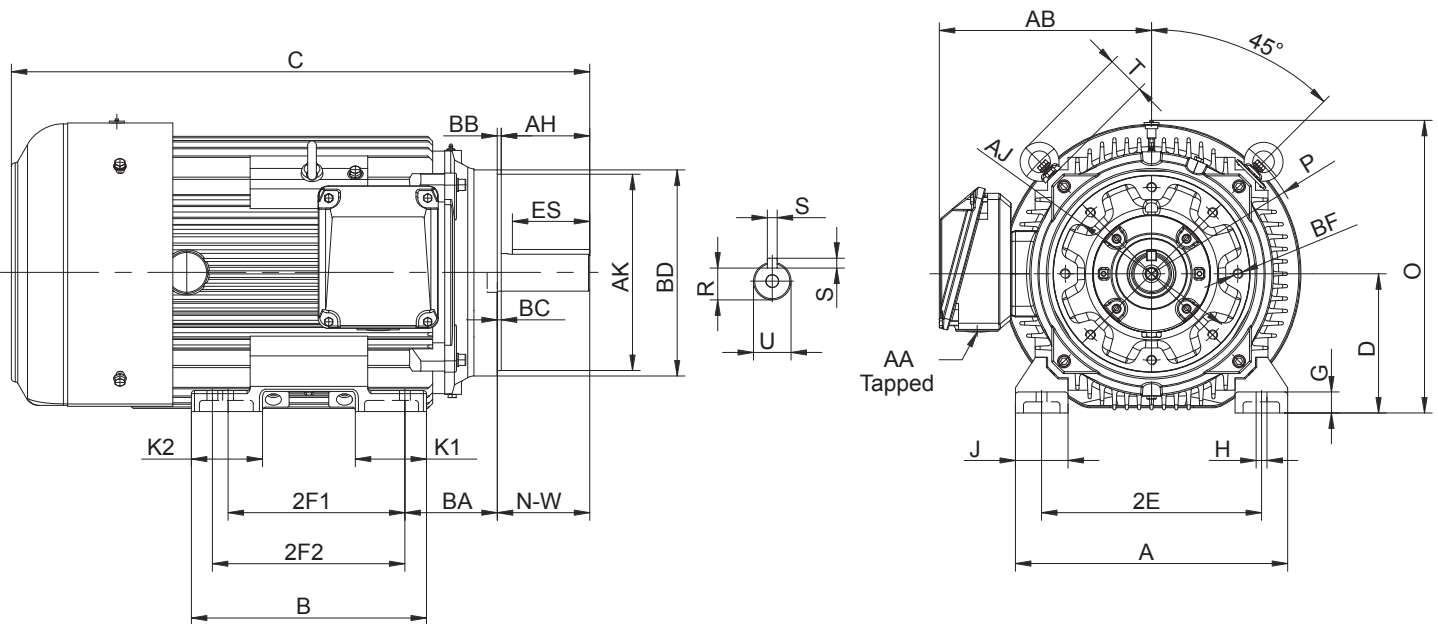
182TC-286TSC



Frame	# of Poles	Mounting Dimensions															Overall Dimensions											
		A	B	D	2E	2F	H	R	S	U	AH	AJ	AK	BA	BB	BD	ES	C	G	J	O	P	T	N-W	AA	AB	Tap	Bearings
182TC	2,4,6	9	8.31	4.5	7.5	4.5	0.41	0.986	0.25	1.125	2.62	7.25	8.5	2.75	0.25	8.9	1.94	17.7	0.6	2.13	9.09	9.53	1.77	2.75	1	7.9	1/2/13	6306 2Z
184TC	2,4,6	9	8.31	4.5	7.5	5.5	0.41	0.986	0.25	1.125	2.62	7.25	8.5	2.75	0.25	8.9	1.94	17.7	0.6	2.13	9.09	9.53	1.77	2.75	1	7.9	1/2/13	6306 2Z
213TC	2,4,6	10.24	8.7	5.25	8.5	5.5	0.41	1.201	0.312	1.375	3.13	7.25	8.5	3.5	0.25	8.9	2.55	22.25	0.67	2.2	10.96	11.61	2.08	3.38	1	8.92	1/2/13	6308/6 2Z
215TC	2,4,6	10.24	10.28	5.25	8.5	7	0.41	1.201	0.312	1.375	3.13	7.25	8.5	3.5	0.25	8.9	2.55	22.88	0.67	2.2	10.96	11.61	2.08	3.38	1	8.92	1/2/13	6308/6 2Z
254TC	2,4,6	12.28	9.92	6.25	10	8.25	0.55	1.416	0.375	1.625	3.75	7.25	8.5	4.25	0.25	10	3.11	25.83	0.58	2.36	13.18	14.17	2.08	4	1 1/4	10.08	1/2/13	6309 2Z
256TC	2,4,6	12.28	11.65	6.25	10	10	0.55	1.416	0.375	1.625	3.75	7.25	8.5	4.25	0.25	10	3.11	27.6	0.58	2.36	13.18	14.17	2.08	4	1 1/4	10.08	1/2/13	6309 2Z
284TC	4,6	13.78	13.11	7	11	9.5	0.55	1.591	0.5	1.875	4.38	9	10.5	4.75	0.25	11.25	3.53	31.16	0.89	2.75	14.01	14.17	2.08	4.62	1 1/2	10.34	1/2/13	6311 2Z
284TSC	2	13.78	13.11	7	11	9.5	0.55	1.416	0.375	1.625	3	9	10.5	4.75	0.25	11.25	2.1	27.2	0.89	2.75	14.01	14.17	2.08	3.25	1 1/2	10.34	1/2/13	6311 2Z
286TC	4,6	13.78	13.11	7	11	11	0.55	1.591	0.5	1.875	4.38	9	10.5	4.75	0.25	11.25	3.53	31.16	0.89	2.75	14.01	14.17	2.08	4.62	1 1/2	10.34	1/2/13	6311 2Z
286TSC	2	13.78	13.11	7	11	11	0.55	1.416	0.375	1.625	3	9	10.5	4.75	0.25	11.25	2.1	27.2	0.89	2.75	14.01	14.17	2.08	3.25	1 1/2	10.34	1/2/13	6311 2Z

NEMA Premium® Severe Duty Motors - Mounting Dimensions

Severe Duty Premium 60N Series – 324TSC-447TC C-Face



Frame	# of Poles	Mounting Dimensions																	
		D	2E	2F1	2F2	G	H	Shaft End						C-Face					
								BA	ES	N-W	R	S	U	AH	AJ	AK	BB/BC	BF	
Size	#																		
324TSC	2	8	12.5	10.5	12	1.38	0.66	5.25	2.75	3.75	1.591	0.5	1.875	3.5	11.0	12.5	0.25	5/8/11	4
324TC	4,6	8	12.5	10.5	12	1.38	0.66	5.25	4.33	5.25	1.845	0.5	2.125	5.0	11.0	12.5	0.25	5/8/11	4
326TSC	2	8	12.5	10.5	12	1.38	0.66	5.25	2.75	3.75	1.591	0.5	1.875	3.5	11.0	12.5	0.25	5/8/11	4
326TC	4,6	8	12.5	10.5	12	1.38	0.66	5.25	4.33	5.25	1.845	0.5	2.125	5.0	11.0	12.5	0.25	5/8/11	4
364TSC	2	9	14	11.25	12.25	1.49	0.66	5.88	2.75	3.75	1.591	0.5	1.875	3.5	11.0	12.5	0.25	5/8/11	8
364TC	4,6	9	14	11.25	12.25	1.49	0.66	5.88	4.92	5.88	2.021	0.625	2.375	5.63	11.0	12.5	0.25	5/8/11	8
365TSC	2	9	14	11.25	12.25	1.49	0.66	5.88	2.75	3.75	1.591	0.5	1.875	3.5	11.0	12.5	0.25	5/8/11	8
365TC	4,6	9	14	11.25	12.25	1.49	0.66	5.88	4.92	5.88	2.021	0.625	2.375	5.63	11.0	12.5	0.25	5/8/11	8
404TC	6	10	16	12.25	13.75	1.57	0.81	6.62	6.3	7.25	2.45	0.75	2.875	7.0	11.0	12.5	0.25	5/8/11	8
405TSC	2	10	16	12.25	13.75	1.57	0.81	6.62	3.5	4.25	1.845	0.5	2.125	4.0	11.0	12.5	0.25	5/8/11	8
405TC	4,6	10	16	12.25	13.75	1.57	0.81	6.62	6.3	7.25	2.45	0.75	2.875	7.0	11.0	12.5	0.25	5/8/11	8
444TSC	2	11	18	14.5	16.5	1.57	0.81	7.5	4.3	4.75	2.021	0.625	2.375	4.5	14.0	16.0	0.25	5/8/11	8
444TC	4,6	11	18	14.5	16.5	1.57	0.81	7.5	7.9	8.5	2.88	0.875	3.375	8.25	14.0	16.0	0.25	5/8/11	8
445TSC	2	11	18	14.5	16.5	1.57	0.81	7.5	4.3	4.75	2.021	0.625	2.375	4.5	14.0	16.0	0.25	5/8/11	8
445TC	4,6	11	18	14.5	16.5	1.57	0.81	7.5	7.9	8.5	2.88	0.875	3.375	8.25	14.0	16.0	0.25	5/8/11	8
447TSC	2	11	18	20	-	1.654	0.81	7.5	4.3	4.75	2.021	0.625	2.375	4.5	14.0	16.0	0.25	5/8/11	8
447TC	4,6	11	18	20	-	1.654	0.81	7.5	7.9	8.5	2.88	0.875	3.375	8.25	14.0	16.0	0.25	5/8/11	8

Frame	# of Poles	Overall Dimensions													Bearings
		A	AA	AB	B	BD	C	J	K1	K2	O	P	T		
324TSC	2	15.8	2	13	15	13.0	31.6	3.15	4.45	4.45	16.9	17.9	2.5	6312C3	
324TC	4,6	15.8	2	13	15	13.0	33.1	3.15	4.45	4.45	16.9	17.9	2.5	6312C3	
326TSC	2	15.8	2	13	15	13.0	31.6	3.15	4.45	4.45	16.9	17.9	2.5	6312C3	
326TC	4,6	15.8	2	13	15	13.0	33.1	3.15	4.45	4.45	16.9	17.9	2.5	6312C3	
364TSC	2	17.5	3	14.2	15	13.2	33.6	3.35	4.53	4.53	18.8	19.9	2.5	6313C3	
364TC	4,6	17.5	3	14.2	15	13.2	35.7	3.35	4.53	4.53	18.8	19.9	2.5	6313C3	
365TSC	2	17.5	3	14.2	15	13.2	33.6	3.35	4.53	4.53	18.8	19.9	2.5	6313C3	
365TC	4,6	17.5	3	14.2	15	13.2	35.7	3.35	4.53	4.53	18.8	19.9	2.5	6313C3	
404TC	6	18.9	3	15.5	17.6	13.2	40.4	3.55	5.32	5.32	20.8	21.3	2.95	6315C3	
405TSC	2	18.9	3	15.5	17.6	13.2	37.4	3.55	5.32	5.32	20.8	21.3	2.95	6315C3	
405TC	4,6	18.9	3	15.5	17.6	13.2	40.4	3.55	5.32	5.32	20.8	21.3	2.95	6315C3	
444TSC	2	21.7	2x3	17.6	20.5	16.6	42	4.15	5.12	6.5	23.4	24.4	3.75	6315C3	
444TC	4,6	21.7	2x3	17.6	20.5	16.6	45.7	4.15	5.12	6.5	23.4	24.4	3.75	6318C3	
445TSC	2	21.7	2x3	17.6	20.5	16.6	42	4.15	5.12	6.5	23.4	24.4	3.75	6315C3	
445TC	4,6	21.7	2x3	17.6	20.5	16.6	45.7	4.15	5.12	6.5	23.4	24.4	3.75	6318C3	
447TSC	2	22.1	2x3	19.5	24	16.6	46.3	4.18	6.8	6.8	23.4	24.4	3.75	6315C3	
447TC	4,6	22.1	2x3	19.5	24	16.6	50	4.18	6.8	6.8	23.4	24.4	3.75	6318C3	







European Engineered for Maximum Performance in Your Toughest Applications

For over 40 years, Elektrim Motors has designed and manufactured a full line of AC NEMA and Metric IEC motors for the US marketplace. Our enthusiasm for motors and commitment to exacting standards mean that Elektrim Motors are some of the finest, longest lasting and best performing

in the industry. Elektrim Motors are European engineered for maximum performance, and are manufactured in state-of-the-art ISO 9001 quality system facilities around the world.

Trust the best. Get Elektrim.

You Might Also Be Interested in These Elektrim Motor Products

ALL-PURPOSE 31N SERIES	Low voltage NEMA Premium® 31N series motors with Class I, Division II Group ABCD T3C and UL recognition for intermittent gas environments.	<ul style="list-style-type: none"> • 1-50 HP • 3600-1800-1200-900 RPM • NEMA Premium® TEFC IP55 • Dual Rated 60/50 Hz • Inverter Rated 10:1CT 20:1VT • Service Factor up to 1.25 	general purpose use, pumps, fans, compressors, fans and blowers, conveyors, crushers, mixers, where intermittent gas vapors exists, and more	
PERFORMANCE 20N SERIES	Low voltage NEMA Premium® inverter duty 20N series motors with high starting torque and a high service factor for poor supply conditions and high ambient temperatures.	<ul style="list-style-type: none"> • 1-250 HP • 3600-1800-1200 RPM • NEMA Premium® TEFC IP55 • Dual Rated 60/50 Hz • Inverter Rated 10:1CT 20:1VT • Service Factor up to 1.4 • Vacuum Pressure Impregnation 	general purpose use, pumps, fans, compressors, fans and blowers, conveyors, crushers, mixers, mills, where poor supply conditions exist, and more	
METRIC IEC MOTORS	Metric three phase motors with squirrel cage rotor for standard and high IE2 efficiency.	<ul style="list-style-type: none"> • 0.08-150 HP • 3600-1800-1200 RPM • TEFC IP55 • Dual Rated 60/50 Hz • Inverter Rated 5:1CT 10:1VT • Vacuum Pressure Impregnation 	as replacement motors for overseas applications and machinery such as pumps, conveyors, fans, for export and more	
BRAKE MOTORS	Low voltage NEMA Premium motors with DC brake and 460V rectifier.	<ul style="list-style-type: none"> • 1-30 HP • 3600-1800-1200 RPM • NEMA Premium TEFC IP55 • Dual Rated 60/50 Hz • Inverter Rated 10:1CT 20:1VT • Service Factor up to 1.4 • Vacuum Pressure Impregnation 	hoists, cranes, conveyors, machine tools, elevators, speed reducers and other applications where a quick stop and positive holding torque are necessary	
CRUSHER DUTY MOTORS	Low voltage high torque design C motors with drive end roller bearing and 4140 equivalent steel shaft for belt drive applications.	<ul style="list-style-type: none"> • 150-500 HP • 1800-1200 RPM • TEFC IP55 • Inverter Rated 5:1CT 10:1VT • Service Factor up to 1.20 • with Thermistors and Space Heaters • Vacuum Pressure Impregnation 	mining and quarry equipment, belt drive applications or where a high torque design C motor is needed	
IEEE841 MOTORS Special Order	Low voltage NEMA Premium® IEEE841 motors with epoxy protection, Inpro/Seal® bearing insulators, Class I, Division II Group ABCD T3C and Class II, Division II Group FG T3C.	<ul style="list-style-type: none"> • 1-250 HP • 3600-1800-1200-900 RPM • NEMA Premium® TEFC IP55 • Dual Rated 60/50 Hz • Inverter Rated 10:1CT 20:1VT • Service Factor up to 1.25 • Tropicalized insulation system 	refineries, foundries, pulp and paper mills, petrochemical plants, marine environments, and other applications that require IEEE841 certification	

SOLUTIONS TO MEET YOUR NEEDS

2015 S. Mitchell Blvd., Schaumburg, IL 60193
+1-847-524-1074 • 855-463-5358 • Fax +1-847-524-9996

Elektrim is a trademark of Toolmex Industrial Solutions. www.elektrimmotors.com | 855-Go-Elektrim



40
YEARS
MANUFACTURING EXCELLENCE