

# Product Data Sheet



## 6R30AXB

Replace "X" with 1, 2 or 3 for number of poles

### Reinforced Class R Fuse Holder 30 Amps, 600 Volts AC/DC



#### Wire Range:

#6 - #14 AWG Copper

#### Holds fuse size 13/16" diameter X 5"

Commonly used fuses in this holder: A6D-R, A6K-R, DLS-R, FLSR\_ID, FRS-R, IDSR, KLSR, LLSRK, LLSRK\_ID, LPS-RK, TRS-R

[See table below for wire sizes.](#)

#### Electrical Ratings:

- 0 - 30A max (amperage rating based on maximum fuse rating for that physical size)
- Copper wire only
- 600 Volts AC/DC
- Approved for 200,000 Amp Withstand Rating

#### Mechanical Ratings:

- Insulator base temperature rating: -40°C/F to 150°C (302°F) UL RTI
- Flammability rating of insulator base: UL 94 V-0
- Touch protection: IP-20 (IEC 60529) with optional cover CHR630 (See accessories)
  - Use outside these ratings needs to be judged in the end-use application.

#### Materials:

- Fuse Clip: Copper alloy, tin plated
- Box Connector: High conductivity aluminum, tin plated
- Reject Member: Steel, tin plated
- Reinforcing Spring: Steel, zinc plated
- Insulator base: General Phenolic
- Terminal set screws: Steel, tin plated
- Connector mounting screws: Steel, zinc plated

#### Agency Approvals:

- UL Listed, Fuseholder standards UL 4248-1 and UL 4248-12.
- UL File No. IZLT.E35113
- CSA Certified, CSA C22.2 No. 39 – M1987, File No. LR21455
- CE compliant to IEC 60947-1
- RoHS Compliant

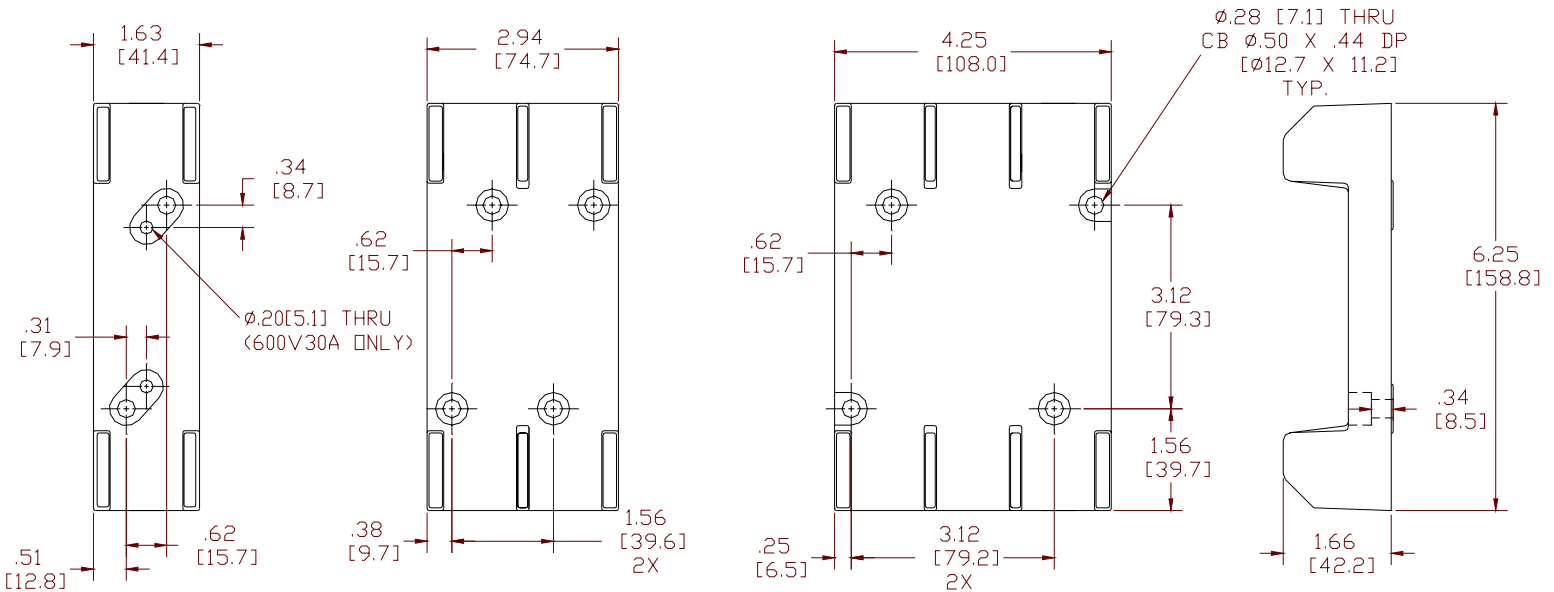
### Wire Approvals:

Wire Size	Torque		Copper Wire Stranding Classes - Number of Conductors		
	N-m	In. lbs	Solid	Class B	Class C
6 AWG	2.8	25		1	1
8	2.8	25		1	1
10	2.8	25	1	1	1
12	2.8	25	1	1	1
14	2.8	25	1	1	1

- Wire strip length – 7/16”
- Panel mountable: #10 fastener, torque to 25-30 in. lbs (2.8 - 3.4 N-m)

### Accessories:

- Cover: CHR630. Glass-filled polycarbonate (thermoplastic). 125°C (UL RTI), Flammability rating UL 94 V-0, UL Listed File No. JDVS2.181825.



[WWW.MARATHONSP.COM](http://WWW.MARATHONSP.COM)  
1-419-352-8441