

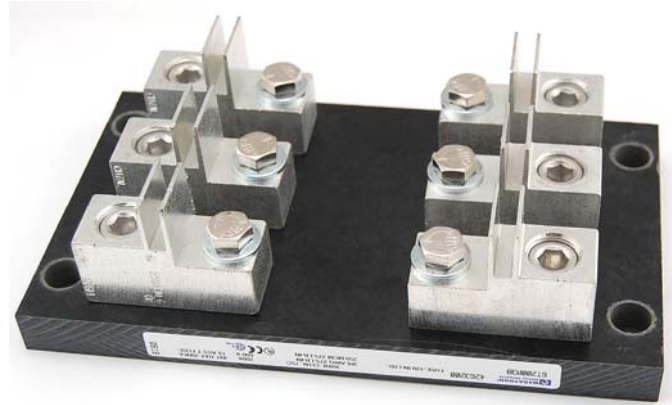
# Product Data Sheet



## 6T200AXB

(Replace "X" with 1 or 3 for number of poles)

### Class T Fuse Holder 200 Amps, 600 Volts AC/DC



#### Wire Range:

250 kcmil - #6 AWG CU

250 kcmil - #6 AWG AL

#### Holds fuse size 1 1/16" diameter X 3 1/4"

Commonly used fuses in this holder: A6T, JJS, JLLS

[See table below for wire sizes.](#)

#### Electrical Ratings:

- 101 - 200A max (amperage rating based on maximum fuse rating for that physical size)
- 600 Volts AC/DC
- Approved for 200,000 Amp Withstand Rating

#### Mechanical Ratings:

- Maximum insulator base temperature: 130°C (266°F) UL RTI
- Flammability rating of insulator base: UL 94 HB
  - Use outside these ratings needs to be judged in the end-use application.

#### Materials:

- Connector: High conductivity aluminum, tin plated
- Insulator base: Phenolic Laminate
- Terminal set screws: Aluminum, tin plated
- 5/16" Belleville Washer: Steel, zinc plated
- Bolt: Steel, nickel plated
- Connector mounting screws: Steel, zinc plated

#### Agency Approvals:

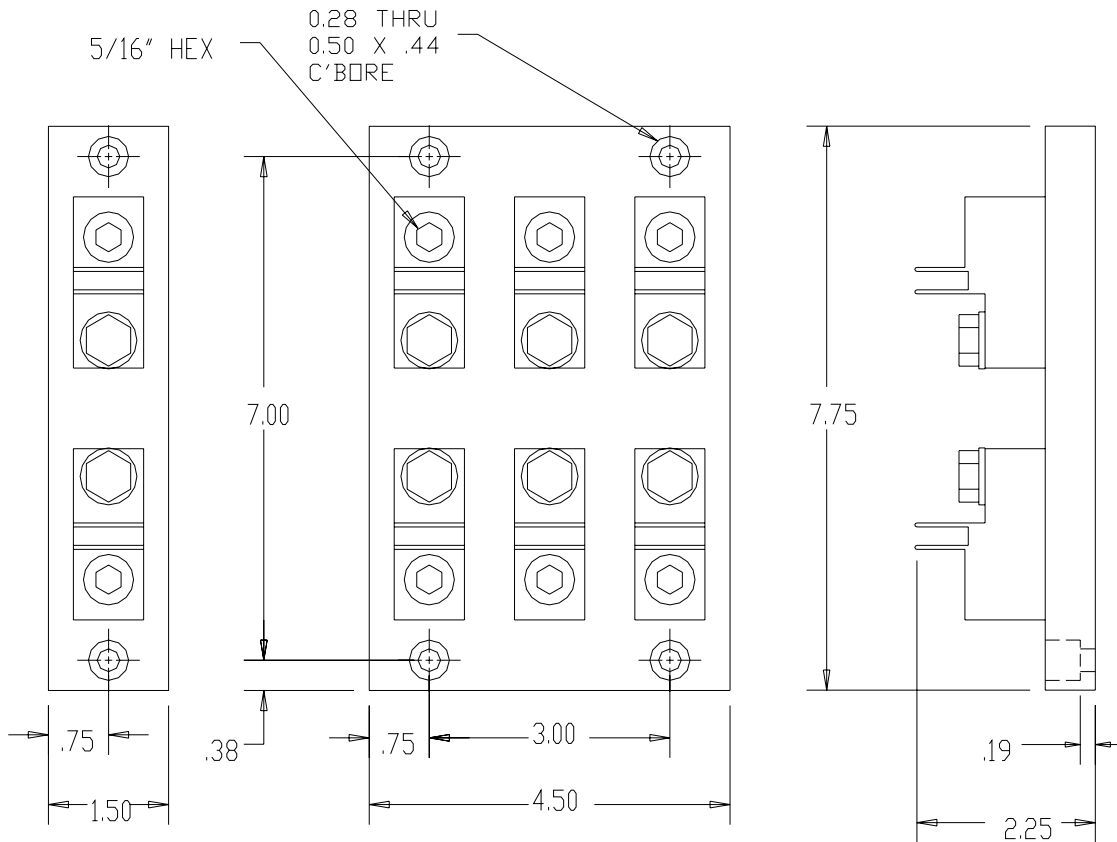
- UL Listed, Fuseholder standards UL 4248-1 and UL 4248-15.
- UL File No. IZLT.E35113
- CSA Certified, CSA C22.2 No. 39 – M1987, File No. LR21455
- CE compliant to IEC 60947-1
- RoHS Compliant

## Wire Approvals:

Wire Size	Torque		Copper Wire Stranding Classes - Number of Conductors		
	N-m	In. lbs.	Solid	Class B	Class C
250 kcmil	37.1	275		1	1
4/0	37.1	275		1	1
3/0	37.1	275		1	1
2/0	37.1	275		1	1
1/0	37.1	275		1	1
1	37.1	275		1	1
2	37.1	275		1	1
4	37.1	275		1	1
6	37.1	275		1	1

Aluminum Stranded Wire Range: 250 kcmil - #6 AWG

- Wire strip length – 15/16"
- Hex key needed – 5/16"
- Panel mountable: 1/4" (M6) fastener, torque 30 - 40 in. lbs. (3.4 - 4.5 N-m)



[WWW.MARATHONSP.COM](http://WWW.MARATHONSP.COM)  
1-419-352-8441