

ENVIRONMENTALLY SEALED ROCKER SWITCHES

Series - 8543, 8544, 8545

Environmentally Sealed Rocker Switches
with Removable Button (RB Series)

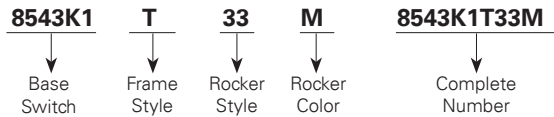
FEATURES	SPECIFICATIONS	CURRENT RATINGS								
		No. of Poles	Catalog Number	Type of Operation	28VDC			115VAC 60 or 400Hz		
<ul style="list-style-type: none"> Environmentally sealed 1, 2 and 4 pole circuitry 2 & 3 position with maintained and momentary action Rocker button is removable for decal or icon interchangeability Multi-circuit Panel mounting variations <ul style="list-style-type: none"> Flush panel Sub-panel Rocker button variations <ul style="list-style-type: none"> Smooth and serrated in opaque colors Transparent Translucent 	<ul style="list-style-type: none"> Watertight per MIL-STD-108E and designed to meet IP68 UL recognized and CSA certified Temperature range: -55°F to +150°F (-46°C to +66°C) Life: 20,000 operations at rated load 40,000 operations mechanical life 				Resistive Load	Inductive Load	Lamp Load	Resistive Load	Inductive Load	Lamp Load
		1	8543	Maintained	20	15	5	15	10	3
				Momentary	15	10	4	15	7	2
		2	8544	Maintained	20	15	7	15	15	4
				Momentary	18	10	5	11	8	2
		4	8545	Maintained	20	12	5	15	15	4
		Momentary	18	10	4	11	8	2		

NOTE: See page C28 for UL & CSA Current Ratings

WHEN ORDERING SPECIFY . . .

• Catalog number of base switch followed by suffix letters and numbers for mounting bracket, rocker color and style as listed in selection table.

Order Example:



SELECTION TABLE

CIRCUIT WITH LEVER IN . . .			BASE CATALOG NUMBER ^②			SUFFIX NUMBERS & LETTERS - ADD TO BASE CATALOG NUMBER					
Up Position	Center Position	Down ^① Position (Keyway)				FRAME STYLE		ROCKER STYLE		ROCKER COLOR	
			Single Pole	Two Pole	Four Pole	Frame Style	Code Letter	Style	Code No.	Color	Code Letter
ON	OFF	ON	8543K1	8544K1	8545K1						
ON	NONE	OFF	K9	K9	K9					White	M
ON	NONE	ON	K4	K4	K4						
ON	OFF	NONE	K6	K6	K6			Serrated	32		
ON	NONE	ON*	K5	K5	K5						
* ON	OFF	ON*	K2	K2	K2	Flush Panel	T			Red	T
NONE	OFF	ON*	K7	K7	K7						
ON	NONE	OFF*	K10	K10	K10						
OFF	NONE	ON*	K11	K11	K11						
ON	OFF	ON*	K3	K3	K3					Black	V
* ON	ON	NONE	K12	K12	K12			Smooth	33		
ON	ON	NONE	K13	K13	K13						
ON	ON	ON		K14							
ON	ON	ON*		K15		Sub-Panel	W			Translucent	L
* ON	ON	ON*		K16							
ON	ON	ON		K17	K15						
ON	ON	ON*		K18	K16						
* ON	ON	ON*		K19	K17			No Rocker	34	Transparent	P
ON	ON/OFF	ON			K20						
* ON	ON/OFF	ON*			K21						

* Momentary contact.

See pages C26-C27 and C29-C31 for circuit diagrams.

① Identification lug side.

② Incomplete Catalog Number - add suffix letters and numbers for Mounting Bracket, Rocker Style and Rocker Color - see "When Ordering Specify."

REPLACEMENT SMOOTH BUTTON SELECTION TABLE

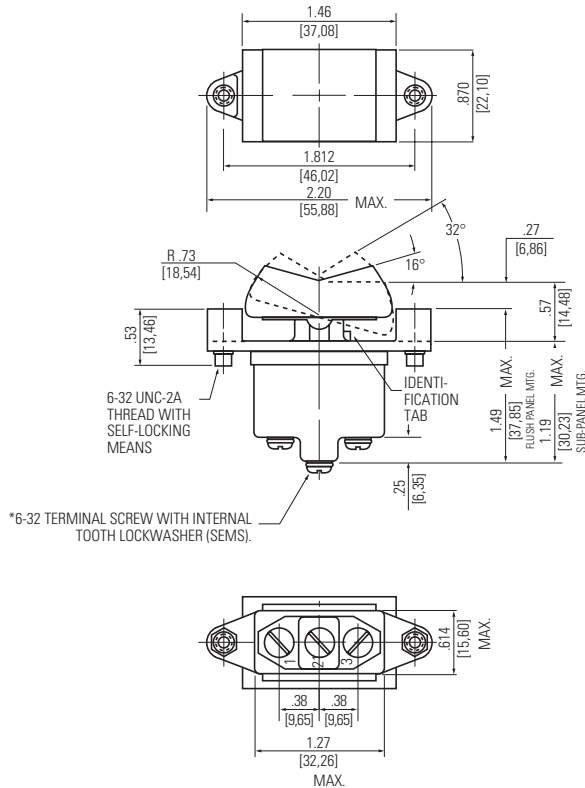
Color	Part Number
White	53-2161-2
Red	53-2161-3
Black	53-2161-4
Translucent	53-2415
Transparent	53-2161-6

ENVIRONMENTALLY SEALED ROCKER SWITCHES

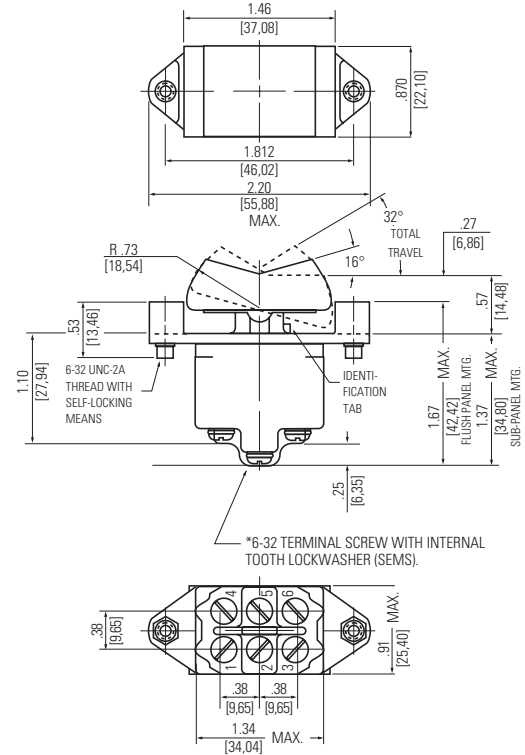
Environmentally Sealed Rocker Switches with Removable Button (RB Series)

Series - 8543, 8544, 8545

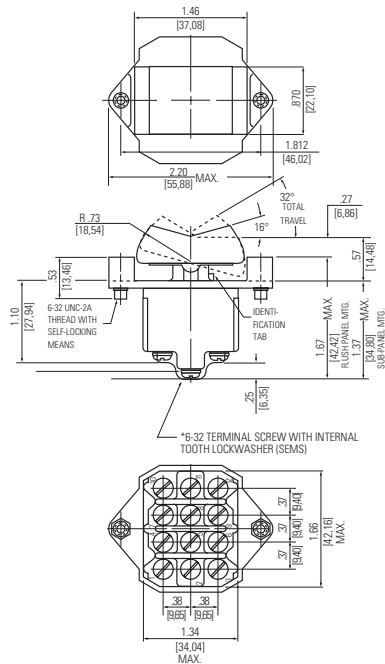
DIMENSIONS - ONE POLE / 8543



DIMENSIONS - TWO POLE / 8544



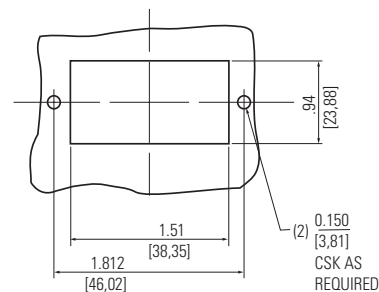
DIMENSIONS - FOUR POLE / 8545



OPTIONS/ACCESSORIES

- Special color rockers
- Hot stamped lettering on rockers - smooth rockers only
- Spade terminals
- Special spade terminal adapters 0.250" [0,63]
- Special marking on switches
- Optional Actuator

RECOMMENDED PANEL CUT-OUT



STANDARD

0.00 = inches

[0,0] = mm

Mounting dimensions for reference only.