

# ENVIRONMENTALLY SEALED ROCKER SWITCHES

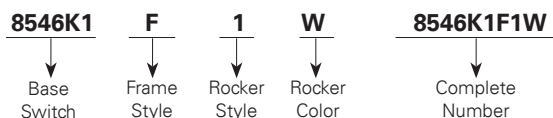
Series - 8546, 8547, 8548 MIL-M3950/14 Environmentally Sealed Rocker Switches

| FEATURES  |  | SPECIFICATIONS |                | CURRENT RATINGS   |                       |                |           |                |                |           |
|---|--|----------------|----------------|-------------------|-----------------------|----------------|-----------|----------------|----------------|-----------|
| <ul style="list-style-type: none"> <li>Environmentally sealed</li> <li>1, 2 and 4 pole circuitry</li> <li>2 &amp; 3 position with maintained and momentary action</li> <li>Rocker button is removable for decal or icon interchangeability</li> <li>Multi-circuit</li> <li>Molded-in inserts and terminal numbers</li> <li>Panel mounting variations                             <ul style="list-style-type: none"> <li>Flush panel</li> <li>Sub-panel</li> </ul> </li> <li>Rocker button variations                             <ul style="list-style-type: none"> <li>Smooth and serrated in opaque colors</li> <li>Transparent</li> <li>Translucent</li> </ul> </li> </ul> | <ul style="list-style-type: none"> <li>MS approved and QPL'd per MIL-DTL-3950</li> <li>Thermoset molding materials meet flame retardant requirements</li> <li>Temperature range: -67°F to +160°F (-55°C to + 71°C)</li> <li>Life: 20,000 operations at rated load<br/>40,000 operations mechanical life</li> </ul> | 28VDC          |                |                   | 115VAC<br>60 or 400Hz |                |           |                |                |           |
|   |  | No. of Poles   | Catalog Number | Type of Operation | Resistive Load        | Inductive Load | Lamp Load | Resistive Load | Inductive Load | Lamp Load |
|   |  | 1              | 8546           | Maintained        | 20                    | 15             | 5         | 15             | 10             | 3         |
|   |  |                |                | Momentary         | 15                    | 10             | 4         | 15             | 7              | 2         |
|   | 2  | 8547           | Maintained     | 20                | 15                    | 7              | 15        | 15             | 4              |           |
|   |  | Momentary      | 18             | 10                | 5                     | 11             | 8         | 2              |                |           |
|   | 4  | 8548           | Maintained     | 20                | 12                    | 5              | 15        | 15             | 4              |           |
|   |  | Momentary      | 18             | 10                | 4                     | 11             | 8         | 2              |                |           |

## WHEN ORDERING SPECIFY . . .

- Catalog number of base switch followed by suffix letters and numbers for mounting bracket, rocker color and style as listed in selection table.

Order Example:



Sub-Panel Mounting



Flush Panel Mounting

## SELECTION TABLE

| CIRCUIT WITH LEVER IN . . . |                 |                                     | BASE CATALOG NUMBER <sup>②</sup> |                        |             |                        |           |                        |             |             |              |             |              |             |
|-----------------------------|-----------------|-------------------------------------|----------------------------------|------------------------|-------------|------------------------|-----------|------------------------|-------------|-------------|--------------|-------------|--------------|-------------|
| Up Position                 | Center Position | Down <sup>①</sup> Position (Keyway) | Single Pole                      |                        | Double Pole |                        | Four Pole |                        | Frame Style | Code Letter | Rocker Style | Code Letter | Rocker Color | Code Letter |
|                             |                 |                                     | LPS                              | M3950/14A <sup>③</sup> | LPS         | M3950/14B <sup>③</sup> | LPS       | M3950/14C <sup>③</sup> |             |             |              |             |              |             |
| ON                          | OFF             | ON                                  | 8546K1                           | M3950/14A21            | 8547K1      | M3950/14B21            | 8548K1    | M3950/14C21            |             |             |              |             |              |             |
| ON                          | NONE            | OFF                                 | K9                               | A22                    | K9          | B22                    | K9        | C22                    |             |             |              |             |              |             |
| ON                          | NONE            | ON                                  | K4                               | A23                    | K4          | B23                    | K4        | C23                    |             |             |              |             | White        | W           |
| ON                          | OFF             | NONE                                | K6                               | A24                    | K6          | B24                    | K6        | C24                    |             |             |              |             |              |             |
| ON                          | NONE            | ON*                                 | K5                               | A26                    | K5          | B26                    | K5        | C26                    | Flush       | F           | Smooth       | 1           | Red          | R           |
| * ON                        | OFF             | ON*                                 | K2                               | A27                    | K2          | B27                    | K2        | C27                    |             |             |              |             |              |             |
| NONE                        | OFF             | ON*                                 | K7                               | A28                    | K7          | B28                    | K7        | C28                    |             |             |              |             |              |             |
| ON                          | NONE            | OFF*                                | K10                              | A29                    | K10         | B29                    | K10       | C29                    |             |             |              |             | Black        | B           |
| OFF                         | NONE            | ON*                                 | K11                              | A30                    | K11         | B30                    | K11       | C30                    |             |             |              |             |              |             |
| ON                          | OFF             | ON*                                 | K3                               | A31                    | K3          | B31                    | K3        | C31                    | Sub         | S           | Serrated     | 2           | Translucent  | T           |
| * ON                        | ON              | NONE                                | K12                              | A32                    | K12         | B32                    | K12       | C32                    |             |             |              |             |              |             |
| ON                          | ON              | NONE                                | K13                              | A33                    | K13         | B33                    | K13       | C33                    |             |             |              |             |              |             |
| ON                          | ON              | ON                                  |                                  |                        | K15         | B34                    | K15       | C34                    |             |             |              |             |              |             |
| ON                          | ON              | ON*                                 |                                  |                        | K16         | B35                    | K16       | C35                    |             |             |              |             | Transparent  | C           |
| * ON                        | ON              | ON*                                 |                                  |                        | K17         | B36                    | K17       | C36                    |             |             |              |             |              |             |

### \* Momentary Circuit.

See pages C26-C27 and C29-31 for circuit diagrams.

① Identification lug side.

② Incomplete Catalog Number - add suffix letters and numbers for Frame Style, Rocker Style and Rocker Color - see "When Ordering Specify."

③ Incomplete military part number - add suffix codes for Frame Style, Rocker Style and Rocker Color for complete military part number. (i.e. M3950/14A21F1W).

## REPLACEMENT BUTTON SELECTION TABLE

| Color       | Part Number (Smooth Button) |
|-------------|-----------------------------|
| White       | 53-2161-2                   |
| Red         | 53-2161-3                   |
| Black       | 53-2161-4                   |
| Translucent | 53-2415                     |
| Transparent | 53-2161-6                   |

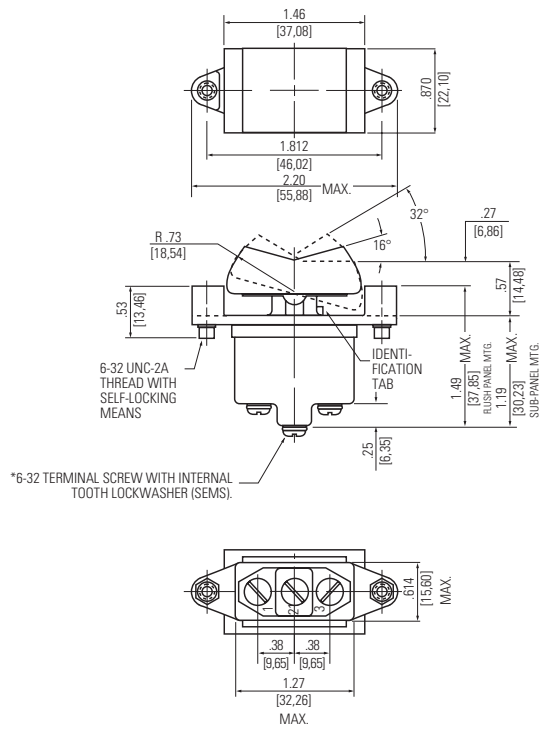
# ENVIRONMENTALLY SEALED ROCKER SWITCHES

Series - 8546, 8547, 8548

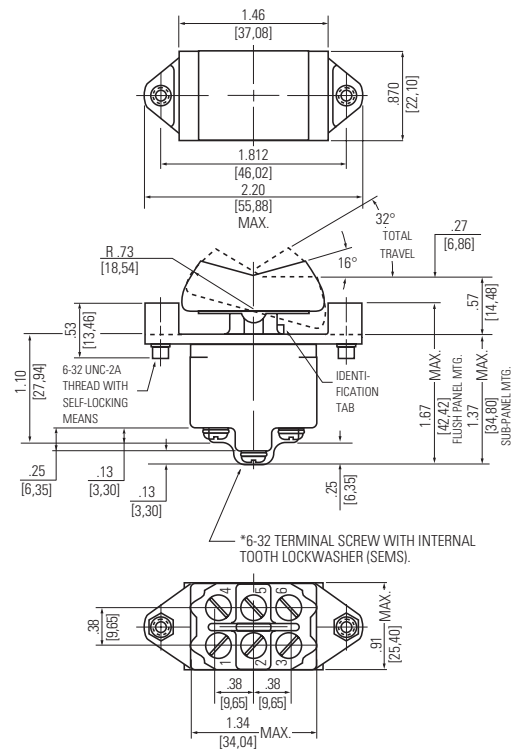
MIL-M3950/14

Environmentally Sealed Rocker Switches

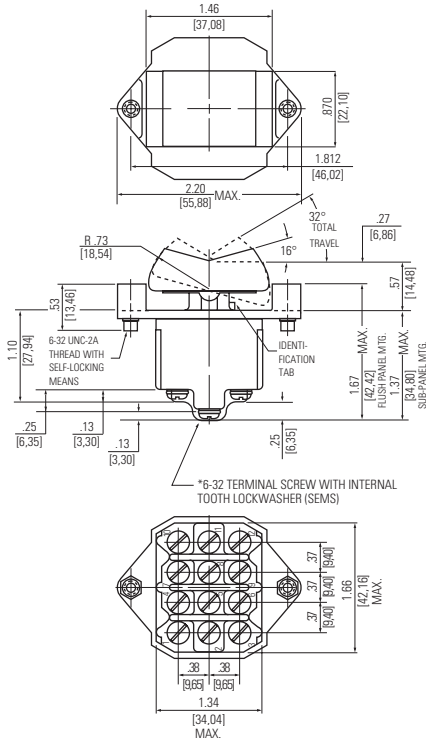
## DIMENSIONS - ONE POLE / 8546



## DIMENSIONS - TWO POLE / 8547



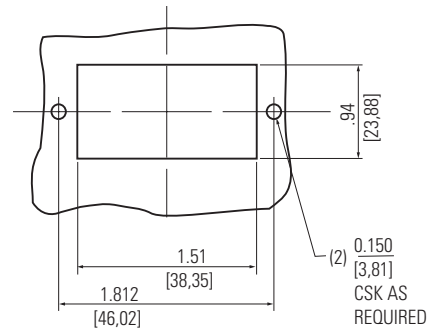
## DIMENSIONS - FOUR POLE / 8548



## OPTIONS/ACCESSORIES

- Special color rockers
- Hot branded lettering on rockers - smooth rockers only
- Spade terminals
- Special spade terminal adapters (0.250") [0,63]
- Special marking on switches
- Optional Actuator

## RECOMMENDED PANEL CUT-OUT



## STANDARD

0.00 = inches

[0,0] = mm

Mounting dimensions for reference only.