

MILITARY - ENVIRONMENTALLY SEALED SWITCHES

Series - 8573, 8574, 8575

MIL-DTL-3950 IWTS Lever Locks

FEATURES SPECIFICATIONS CURRENT RATINGS FOR -20

- Environmentally sealed
- 1, 2 and 4 pole circuitry
- 2 & 3 position with maintained and momentary action
- Integrated Wire Termination System (IWTS) for ease of wiring
- Terminal numbers molded into silicone base seal

- Environmentally sealed per MIL-DTL-3950
- MS approved and QPL'd per MIL-DTL-3950
- Thermoset molding materials meet flame retardant requirements
- Bushing: 15/32" - 32 thread
- Temperature Range: -85°F to +160°F (65°C to +71°C)
- Accepts MIL-C-39029/1-101 pin
- Life: 20,000 operations at rated load
40,000 operations mechanical life

	Poles	Type of Operation	28VDC			115 VAC 60 or 400Hz		
			Lamp Load	Resistive Load	Inductive Load	Lamp Load	Resistive Load	Inductive Load
1	8573	Maintained	5	20	15	3	15	10
		Momentary	4	15	10	2	15	7
2	8574	Maintained	7	20	15	4	15	15
		Momentary	5	18	10	2	11	8
4	8575	Maintained	5	20	12	4	15	15
		Momentary	4	18	10	2	11	8

CURRENT RATINGS FOR -16

No. of Poles	Catalog Number	Type of Operation	28VDC			115 VAC 60 or 400Hz		
			Lamp Load	Resistive Load	Inductive Load	Lamp Load	Resistive Load	Inductive Load
1	8573	Maintained	5	20	15	3	15	10
		Momentary	4	15	10	2	15	7
2	8574	Maintained	7	20	15	4	15	15
		Momentary	5	18	10	2	11	8
4	8575	Maintained	5	20	12	4	15	15
		Momentary	4	18	10	2	11	8

Minimum Rating: "Intermediate Current" per MIL-DTL-3950.

LEVER LOCK SELECTION TABLE — Terminals Accept Wire Contact Within Dimensional Limits of M39029/1-102 for -16 wire size. — Terminals Accept Wire Contact Within Dimensional Limits of M39029/1-101 for -20 wire size.



8573



8574



8575

CIRCUIT WITH LEVER IN . . . ONE POLE TWO POLE FOUR POLE

Up Position	Center Position	Down Position (Keyway)	Lever Lock Bushing Style	ONE POLE		TWO POLE		FOUR POLE	
				MS Part Number	Catalog Number	MS Part Number	Catalog Number	MS Part Number	Catalog Number
ON→	OFF→	← ON	A	MS27781-21A	8573K1-16	MS27782-21A	8574K1-16	MS27783-21A	8575K1-16
ON→	←OFF→	← ON	B	-21B	K27-16	-21B	K27-16	-21B	K27-16
ON→	OFF	← ON	D	-21D	K5-16	-21D	K5-16	-21D	K5-16
ON→	←OFF→	ON	E	-21E	K2-16	-21E	K2-16	-21E	K2-16
ON→	OFF	ON	F	-21F	K28-16	-21F	K28-16	-21F	K28-16
ON→	OFF	← ON	G	MS27781-21G	8573K3-16	MS27782-21G	8574K3-16	MS27783-21G	8575K3-16
ON→	OFF→	ON	H	-21H	K29-16	-21H	K29-16	-21H	K29-16
ON→	←OFF	← ON	J	-21J	K30-16	-21J	K30-16	-21J	K30-16
ON→	←OFF→	ON	K	-21K	K31-16	-21K	K31-16	-21K	K31-16
ON→	OFF→	ON	L	-21L	K32-16	-21L	K32-16	-21L	K32-16
ON→	←OFF	ON	M	MS27781-21M	8573K33-16	MS27782-21M	8574K33-16	MS27783-21M	8575K33-16
ON→	←OFF	ON	N	-21N	K4-16	-21N	K4-16	-21N	K4-16
ON→	OFF→	← ON	P	-21P	K34-16	-21P	K34-16	-21P	K34-16
ON→	NONE	← OFF	D	-22D	K10-16	-22D	K10-16	-22D	K10-16
ON→	NONE	OFF	F	-22F	K35-16	-22F	K35-16	-22F	K35-16
ON→	NONE	← OFF	G	MS27781-22G	8573K9-16	MS27782-22G	8574K9-16	MS27783-22G	8575K9-16
ON→	NONE	← ON	D	-23D	K6-16	-23D	K6-16	-23D	K6-16
ON→	NONE	ON	F	-23F	K36-16	-23F	K36-16	-23F	K36-16
ON→	NONE	← ON	G	-23G	K7-16	-23G	K7-16	-23G	K7-16
ON→	← OFF	NONE	E	-24E	K16-16	-24E	K16-16	-24E	K16-16
ON→	OFF	NONE	F	MS27781-24F	8573K37-16	MS27782-24F	8574K37-16	MS27783-24F	8575K37-16
ON→	← OFF	NONE	K	-24K	K38-16	-24K	K38-16	-24K	K38-16
ON→	← OFF	NONE	M	-24M	K11-16	-24M	K11-16	-24M	K11-16
ON→	NONE	ON*	F	-26F	K20-16	-26F	K20-16	-26F	K20-16
* ON	← OFF→	ON*	E	MS27781-27E	8573K12-16	MS27782-27E	8574K12-16	MS27783-27E	8575K12-16
* ON	OFF→	ON*	L	-27L	K39-16	-27L	K39-16	-27L	K39-16
* ON	← OFF	ON*	N	-27N	K14-16	-27N	K14-16	-27N	K14-16
NONE	OFF→	ON*	E	-28E	K15-16	-28E	K15-16	-28E	K15-16
ON→	NONE	OFF*	F	-29F	K21-16	-29F	K21-16	-29F	K21-16
OFF→	NONE	ON*	F	MS27781-30F	8573K19-16	MS27782-30F	8574K19-16	MS27783-30F	8575K19-16
ON	← OFF→	ON*	E	-31E	K18-16	-31E	K18-16	-31E	K18-16
ON→	OFF	ON*	F	-31F	K40-16	-31F	K40-16	-31F	K40-16
ON→	← OFF→	ON*	K	-31K	K41-16	-31K	K41-16	-31K	K41-16
ON	OFF→	ON*	L	-31L	K13-16	-31L	K13-16	-31L	K13-16

* Momentary contact.

→ Indicates direction against which lever is locked. See page A71 for circuit diagrams. Ⓞ Reference bushing styles on page A34.

MILITARY - ENVIRONMENTALLY SEALED SWITCHES

Series - 8573, 8574, 8575

MIL-DTL-3950 IWTS Lever Locks

LEVER LOCK SELECTION TABLE, CONT'D






8573



8574



8575

CIRCUIT WITH LEVER IN . . .				ONE POLE		TWO POLE		FOUR POLE	
Up Position 	Center Position 	Down Position (Keyway) 	Lever Lock Bushing Style	MS Part Number	Catalog Number	MS Part Number	Catalog Number	MS Part Number	Catalog Number
ON→	← OFF	ON*	M	MS27781-31M	8573K17-16	MS27782-31M	8574K17-16	MS27783-31M	8575K17-16
ON	← OFF	ON*	N	-31N	K8-16	-31N	K8-16	-31N	K8-16
*ON	← ON	NONE	E	-32E	K23-16	-32E	K23-16	-32E	K23-16
ON	← ON	NONE	E	-33E	K24-16	-33E	K24-16	-33E	K24-16
ON→	ON	NONE	F	-33F	K25-16	-33F	K25-16	-33F	K25-16
ON→	← ON	NONE	K	MS27781-33K	8573K26-16	MS27782-33K	8574K26-16	MS27783-33K	8575K26-16
ON→	← ON	NONE	M	-33M	K42-16	-33M	K42-16	-33M	K42-16
ON→	← ON→	ON	A	—	—	-1A	K65-16	-1A	K43-16
ON	← ON→	← ON	B	—	—	-1B	K66-16	-1B	K44-16
ON→	ON	← ON	D	—	—	-1D	K67-16	-1D	K45-16
ON	← ON→	ON	E	—	—	MS27782-1E	8574K68-16	MS27783-1E	8575K46-16
ON→	ON	ON	F	—	—	-1F	K69-16	-1F	K47-16
ON	ON	← ON	G	—	—	-1G	K70-16	-1G	K48-16
ON→	ON→	ON	H	—	—	-1H	K71-16	-1H	K49-16
ON	← ON	← ON	J	—	—	-1J	K72-16	-1J	K50-16
ON→	← ON→	ON	K	—	—	MS27782-1K	8574K73-16	MS27783-1K	8575K51-16
ON	ON→	ON	L	—	—	-1L	K74-16	-1L	K52-16
ON→	← ON	ON	M	—	—	-1M	K75-16	-1M	K53-16
ON	← ON	ON	N	—	—	-1N	K76-16	-1N	K54-16
ON	ON→	← ON	P	—	—	-1P	K77-16	-1P	K55-16
ON	← ON→	ON*	E	—	—	MS27782-2E	8574K78-16	MS27783-2E	8575K56-16
ON→	ON	ON*	F	—	—	-2F	K79-16	-2F	K57-16
ON→	← ON→	ON*	K	—	—	-2K	K80-16	-2K	K58-16
ON	ON→	ON*	L	—	—	-2L	K81-16	-2L	K59-16
ON→	← ON	ON*	M	—	—	-2M	K82-16	-2M	K60-16
ON	← ON	ON*	N	—	—	MS27782-2N	8574K83-16	MS27783-2N	8575K61-16
ON	← ON→	ON	E	—	—	-3E	K84-16	-3E	K62-16
ON	← ON→	ON	L	—	—	-3L	K85-16	-3L	K63-16
ON	← ON	ON	N	—	—	-3N	K86-16	-3N	K64-16

*** Momentary contact.**

→ Indicates direction against which lever is locked.




See page A71 for circuit diagrams.

Ⓛ Reference bushing styles on page A34.

MILITARY - ENVIRONMENTALLY SEALED SWITCHES

Series - 8573, 8574, 8575

MIL-DTL-3950 IWTS Lever Locks

CIRCUIT WITH LEVER IN . . .			ONE POLE		TWO POLE		FOUR POLE		
Up Position 	Center Position 	Down Position (Keyway) 	Lever ① Lock Bushing Style	MS Part Number	Catalog Number	MS Part Number	Catalog Number	MS Part Number	Catalog Number
ON →	← OFF →	← ON	A	MS27787-21A	8573K1-20	MS27788-21A	8574K1-20	MS27789-21A	8575K1-20
ON	← OFF →	← ON	B	-21B	K27-20	-21B	K27-20	-21B	K27-20
ON →	OFF	← ON	D	-21D	K5-20	-21D	K5-20	-21D	K5-20
ON	← OFF →	ON	E	-21E	K2-20	-21E	K2-20	-21E	K2-20
ON →	OFF	ON	F	-21F	K28-20	-21F	K28-20	-21F	K28-20
ON	OFF	← ON	G	MS27787-21G	8573K3-20	MS27788-21G	8574K3-20	MS27789-21G	8575K3-20
ON →	← OFF →	ON	H	-21H	K29-20	-21H	K29-20	-21H	K29-20
ON	← OFF →	← ON	J	-21J	K30-20	-21J	K30-20	-21J	K30-20
ON →	← OFF →	ON	K	-21K	K31-20	-21K	K31-20	-21K	K31-20
ON	OFF →	ON	L	-21L	K32-20	-21L	K32-20	-21L	K32-20
ON →	← OFF	ON	M	MS27787-21M	8573K33-20	MS27788-21M	8574K33-20	MS27789-21M	8575K33-20
ON	← OFF	ON	N	-21N	K4-20	-21N	K4-20	-21N	K4-20
ON	OFF →	← ON	P	-21P	K34-20	-21P	K34-20	-21P	K34-20
ON →	NONE	← OFF	D	-22D	K10-20	-22D	K10-20	-22D	K10-20
ON →	NONE	OFF	F	-22F	K35-20	-22F	K35-20	-22F	K35-20
ON	NONE	← OFF	G	MS27787-22G	8573K9-20	MS27788-22G	8574K9-20	MS27789-22G	8575K9-20
ON →	NONE	← ON	D	-23D	K6-20	-23D	K6-20	-23D	K6-20
ON →	NONE	ON	F	-23F	K36-20	-23F	K36-20	-23F	K36-20
ON	NONE	← ON	G	-23G	K7-20	-23G	K7-20	-23G	K7-20
ON	← OFF	NONE	E	-24E	K16-20	-24E	K16-20	-24E	K16-20
ON →	OFF	NONE	F	MS27787-24F	8573K37-20	MS27788-24F	8574K37-20	MS27789-24F	8575K37-20
ON →	← OFF	NONE	K	-24K	K38-20	-24K	K38-20	-24K	K38-20
ON →	← OFF	NONE	M	-24M	K11-20	-24M	K11-20	-24M	K11-20
ON →	NONE	ON *	F	-26F	K20-20	-26F	K20-20	-26F	K20-20
* ON	← OFF →	ON *	E	MS27787-27E	8573K12-20	MS27788-27E	8574K12-20	MS27789-27E	8575K12-20
* ON	OFF →	ON *	L	-27L	K39-20	-27L	K39-20	-27L	K39-20
* ON	← OFF →	ON *	N	-27N	K14-20	-27N	K14-20	-27N	K14-20
NONE	OFF →	ON *	E	-28E	K15-20	-28E	K15-20	-28E	K15-20
ON →	NONE	OFF *	F	-29F	K21-20	-29F	K21-20	-29F	K21-20
OFF →	NONE	ON *	F	MS27787-30F	8573K19-20	MS27788-30F	8574K19-20	MS27789-30F	8575K19-20
ON	← OFF →	ON *	E	-31E	K18-20	-31E	K18-20	-31E	K18-20
ON →	OFF	ON *	F	-31F	K40-20	-31F	K40-20	-31F	K40-20
ON →	← OFF →	ON *	K	-31K	K41-20	-31K	K41-20	-31K	K41-20
ON	OFF →	ON *	L	-31L	K13-20	-31L	K13-20	-31L	K13-20
ON →	← OFF	ON *	M	MS27787-31M	8573K17-20	MS27788-31M	8574K17-20	MS27789-31M	8575K17-20
ON	← OFF	ON *	N	-31N	K8-20	-31N	K8-20	-31N	K8-20
* ON	← ON	NONE	E	-32E	K23-20	-32E	K23-20	-32E	K23-20
ON	← ON	NONE	E	-33E	K24-20	-33E	K24-20	-33E	K24-20
ON →	ON	NONE	F	-33F	K25-20	-33F	K25-20	-33F	K25-20
ON →	← ON	NONE	K	MS27787-33K	8573K26-20	MS27788-33K	8574K26-20	MS27789-33K	8575K26-20
ON →	← ON	NONE	M	-33M	K42-20	-33M	K42-20	-33M	K42-20
ON →	← ON →	← ON	A	—	—	-1A	K65-20	-1A	K43-20
ON	← ON →	← ON	B	—	—	-1B	K66-20	-1B	K44-20
ON →	ON	← ON	D	—	—	MS27788-1D	K67-20	-1D	K45-20
ON	← ON →	ON	E	—	—	-1E	8574K68-20	MS27789-1E	8575K46-20
ON →	ON	ON	F	—	—	-1F	K69-20	-1F	K47-20
ON	ON	← ON	G	—	—	-1G	K70-20	-1G	K48-20
ON →	ON →	ON	H	—	—	-1H	K71-20	-1H	K49-20
ON	← ON	← ON	J	—	—	-1J	K72-20	-1J	K50-20
ON →	← ON →	ON	K	—	—	MS27788-1K	8574K73-20	MS27789-1K	8575K51-20
ON	ON →	ON	L	—	—	-1L	K74-20	-1L	K52-20
ON →	← ON	ON	M	—	—	-1M	K75-20	-1M	K53-20
ON	← ON	ON	N	—	—	-1N	K76-20	-1N	K54-20
ON	ON →	← ON	P	—	—	-1P	K77-20	-1P	K55-20
ON	← ON →	ON *	E	—	—	MS27788-2E	8574K78-20	MS27789-2E	8575K56-20
ON →	ON	ON *	F	—	—	-2F	K79-20	-2F	K57-20
ON →	← ON →	ON *	K	—	—	-2K	K80-20	-2K	K58-20
ON	ON →	ON *	L	—	—	-2L	K81-20	-2L	K59-20
ON →	← ON	ON *	M	—	—	-2M	K82-20	-2M	K60-20
ON	← ON	ON *	N	—	—	MS27788-2N	8574K83-20	MS27789-2N	8575K61-20
* ON	← ON →	ON *	E	—	—	-3E	K84-20	-3E	K62-20
* ON	ON →	ON *	L	—	—	-3L	K85-20	-3L	K63-20
* ON	← ON	ON *	N	—	—	-3N	K86-20	-3N	K64-20

* Momentary contact.

→ Indicates direction against which lever is locked.

See page A71 for circuit diagrams.

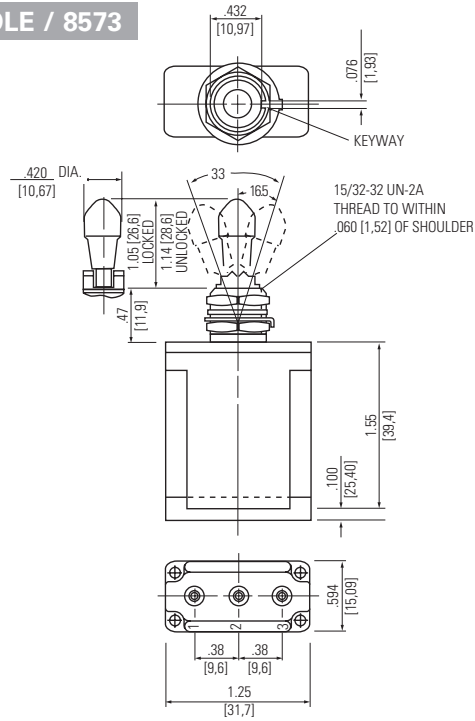
① Reference bushing styles on page A34.

MILITARY - ENVIRONMENTALLY SEALED SWITCHES

Series - 8573, 8574, 8575

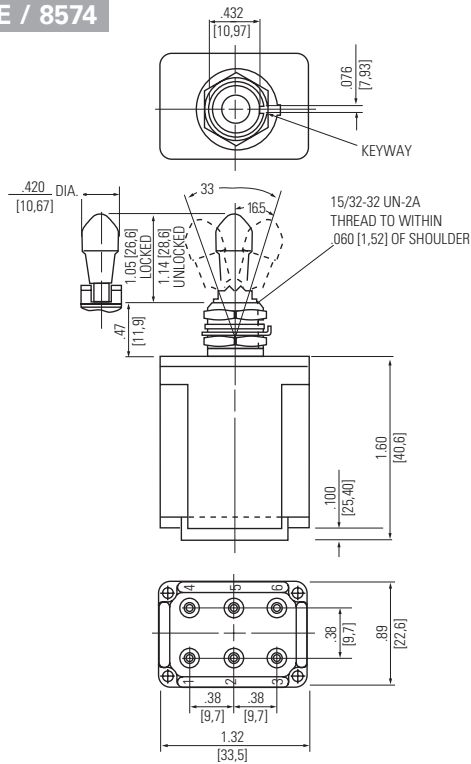
MIL-DTL-3950 IWTS Lever Locks

MOUNTING DIMENSIONS - ONE POLE / 8573



Terminal Identification

MOUNTING DIMENSIONS - TWO POLE / 8574



Terminal Identification

STANDARD
0.00 = inches
[0,0] = mm

Mounting dimensions for reference only.

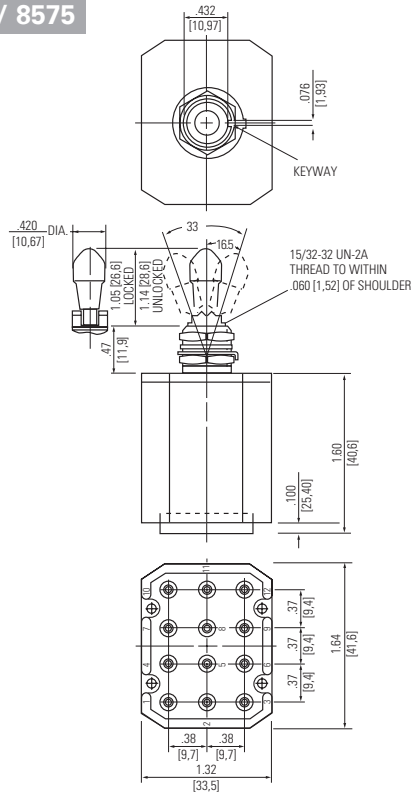
Non-functional terminals not supplied.

MILITARY - ENVIRONMENTALLY SEALED SWITCHES

Series - 8573, 8574, 8575

MIL-DTL-3950 IWTS Lever Locks

MOUNTING DIMENSIONS - FOUR POLE / 8575



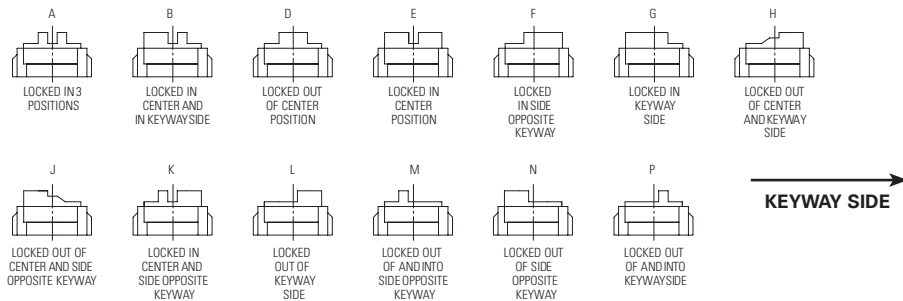
Terminal Identification

Non-functional terminals not supplied.

OPTIONS/ACCESSORIES

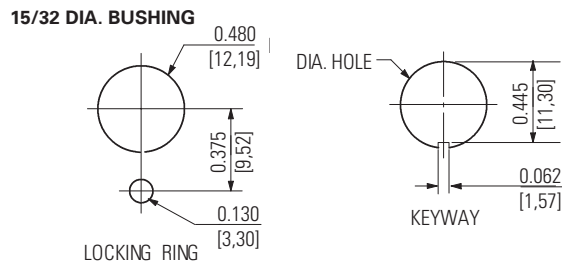
- Special mounting hardware
- Mounting hardware furnished assembled
- Special circuits
- Panel seal, part number 32-341 (See Accessories and Custom Components section)
- Special shaped caps available
- Custom wiring harnesses

LEVER LOCK - BUSHING STYLES



Figures A thru P do not represent details of construction. They schematically illustrate locking function.

PANEL CUTOUT DIMENSIONS



STANDARD

0.00 = inches

[0,0] = mm

Mounting dimensions for reference only.