







# ENVIRONMENTALLY SEALED POSITIVE ACTION SWITCHES

## Series 8836KP-38KP Flush Mounted Environmentally Sealed Positive Action Switches

FEATURES		SPECIFICATIONS		CURRENT RATINGS									
<ul style="list-style-type: none"> <li>Environmentally Sealed</li> <li>High electrical/mechanical reliability</li> <li>Non-teasible mechanism</li> <li>Wiping action contacts</li> <li>Positive make and break action</li> <li>Molded-in terminal numbers</li> <li>Three hole design for flush mounting</li> <li>Dry circuit (logic level loads) to Power Switching levels</li> <li>1,2, and 4 pole circuitry</li> </ul>	<ul style="list-style-type: none"> <li>Environmentally sealed per MIL-DTL-8834</li> <li>Switch mechanism MS approved and QPL'd per MIL-DTL-8834</li> <li>Temperature Range: -67°F to 160°F (-55°C to +71°C)</li> <li>Life: 20,000 cycles at rated load, 40,000 cycles mechanical life</li> <li>Positive action mechanism for high reliability and low contact bounce</li> </ul>	No. of Poles	Catalog Number	Type of Operation	28VDC (Amperes per pole)			115VAC 400Hz (Amperes per pole)			115VAC 60Hz (Amperes per pole)		
		Lamp Load	Resistive Load	Inductive Load	Lamp Load	Resistive Load	Inductive Load	Lamp Load	Resistive Load	Inductive Load			
		1	8836KP	Maintained & Momentary	7	25	15	7	25	15	7	20	15
		2	8837KP	Maintained & Momentary	7	25	15	7	25	15	7	20	15
4	8838KP	Maintained & Momentary	7	25	15	7	25	15	7	20	15		

Minimum Rating: 10 microamperes at 30 millivolts.

### LEVER LOCK SELECTION TABLE

CIRCUIT WITH LEVER IN . . .					
	Up Position	Center Position	Down Position (Keyway)	Screw Terminal	① Toggle Lever Style Figure Number
				Catalog Number	
<b>ONE POLE</b>					
<b>8836KP</b> 	ON	OFF	ON	8836KP1	1
	ON	NONE	OFF	8836KP9	1
	ON	NONE	ON	8836KP4	1
	ON	NONE	ON*	8836KP5	1
	ON	OFF	ON*	8836KP3	1
	ON*	OFF	ON*	8836KP2	1
	ON	OFF	ON	8836KP1T	2
	ON	NONE	OFF	8836KP9T	2
<b>TWO POLE</b>					
<b>8837KP</b> 	ON	OFF	ON	8837KP1	1
	ON	NONE	OFF	8837KP9	1
	ON	NONE	ON	8837KP4	1
	ON	NONE	OFF*	8837KP10	1
	ON*	OFF	ON*	8837KP2	1
	ON	OFF	NONE	8837KP6	1
	ON	OFF	ON*	8837KP3	1
	ON	NONE	ON	8837KP4T	2
	ON	OFF	ON	8837KP1T	2
	<b>FOUR POLE</b>				
<b>8838KP</b> 	ON	OFF	ON	8838KP31	1
	ON	NONE	ON	8838KP34	1
	ON	OFF	NONE	8838KP36	1
	ON	OFF	ON	8838KP1	1
	ON	NONE	ON	8838KP4	1
	ON	OFF	ON*	8838KP3	1
	ON*	OFF	ON*	8838KP2	1
	ON	OFF	NONE	8838KP6	1
	ON	NONE	ON*	8838KP5	1

\* Momentary contact.

Note: Additional circuit arrangements available.

① Refer to page A47.

# ENVIRONMENTALLY SEALED POSITIVE ACTION SWITCHES

## Series 8836KP-38KP      Flush Mounted Environmentally Sealed Positive Action Switches

### MOUNTING DIMENSIONS - ONE POLE / 8836 KP

#### SCREW TERMINALS

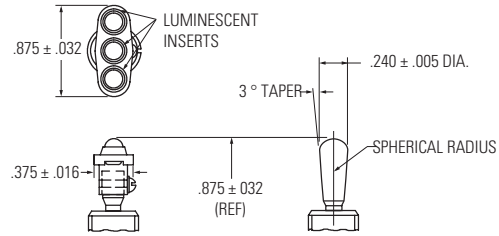
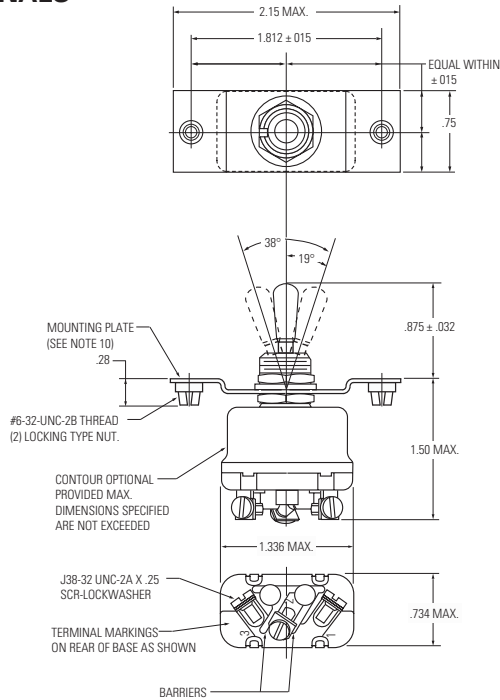


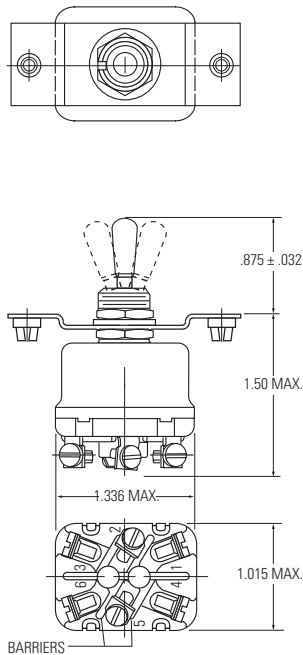
Figure 2

Figure 1

#### Terminal Identification

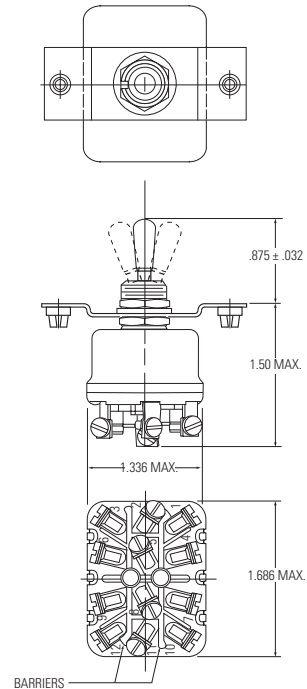
### MOUNTING DIMENSIONS - TWO POLE / 8837 KP

#### SCREW TERMINALS



### MOUNTING DIMENSIONS - FOUR POLE / 8838 KP

#### SCREW TERMINALS



<b>STANDARD</b>
0.00 = inches
[0,0] = mm

Mounting dimensions for reference only.

Non-functional terminals not supplied.