




# Series - 8879

# MINIATURE POSITIVE ACTION SWITCHES 4-Pole Miniature Positive Action Switch Series

FEATURES		SPECIFICATIONS		CURRENT RATINGS					
<ul style="list-style-type: none"> <li>Made to MIL-DTL-8834 Requirements</li> <li>Sealed bushing</li> <li>Current rating versatility</li> <li>4 pole circuitry (Maintained &amp; Momentary variations)</li> <li>Non-teasible mechanism for all but center "on" position</li> <li>Dry circuit (logic loads loads) to power switching levels</li> <li>Wiping action contacts</li> <li>Positive make and break action</li> <li>Bullet and Mushroom Lever lock Actuator styles</li> <li>12 Lever Locking configurations</li> <li>15/32" bushing Dia.</li> <li>Solder-lug terminals ± Ø</li> </ul>	<ul style="list-style-type: none"> <li>Bushing seal per MIL-DTL-8834</li> <li>Meets 0.5" Head of Water</li> <li>Temperature Range: -22°F to +149°F -30°C to +65°C</li> <li>Electrical Life: 20,000 Operations at rated load</li> <li>Mechanical Life: 40,000 Operations</li> </ul>	28VDC (Amperes per pole)		115VAC 60Hz and 400Hz (Amperes per pole)					
		No. of Poles	Catalog Number	Type of Operation	Resistive Load 28VDC	Inductive Load 28VDC	Resistive Load		Inductive Load
4	8879	Maintained and Momentary	5	1	60Hz	400Hz	60Hz	400Hz	
					2	3	1	2	

Minimum Rating: 25 microamperes at 5 millivolts or less.

## SELECTION TABLE

CIRCUIT WITH LEVER IN . . .			FOUR POLE			
Up Position	Center Position	Down Position (Keyway)	Mushroom Style Cap		Bullet Style Cap	
			Catalog® Number	Locking Designation	Catalog® Number	Locking Designation
ON	OFF	ON	8879K74	A	8879K4	A
ON	OFF	ON	K75	B	K5	B
ON	NONE	ON	K77	C	K7	C
ON	NONE	ON	K78	E	K8	E
ON	OFF	NONE	K79	J	K9	J
ON	OFF	ON	K710	D	K10	D
ON	OFF	ON *	K712	L	K12	L
ON	NONE	OFF	K713	C	K13	C
ON	NONE	OFF	K714	E	K14	E
ON	OFF	ON *	K716	G	K16	G
ON	OFF	NONE	K719	B	K19	B
ON	OFF	ON *	K720	K	K20	K
ON	ON	ON	K721 ⊕	A	K21 ⊕	A
ON *	ON	ON *	K722 ⊕	F	K22 ⊕	F
ON	ON	ON *	K723 ⊕	K	K23 ⊕	K
NONE	ON	ON *	K724 ⊕	K	K24 ⊕	K
ON *	OFF	ON *	K727	F	K27	F
NONE	OFF	ON *	K728	K	K28	K
ON *	OFF	ON *	K729	H	K29	H
ON	ON	ON	K730 ⊕	B	K30 ⊕	B
ON	ON	ON	K731 ⊕	C	K31 ⊕	C
ON	ON	ON	K732 ⊕	D	K32 ⊕	D
ON *	ON	ON *	K734 ⊕	H	K34 ⊕	H
ON	ON	ON *	K735 ⊕	G	K35 ⊕	G
ON	ON	ON *	K736 ⊕	L	K36 ⊕	L

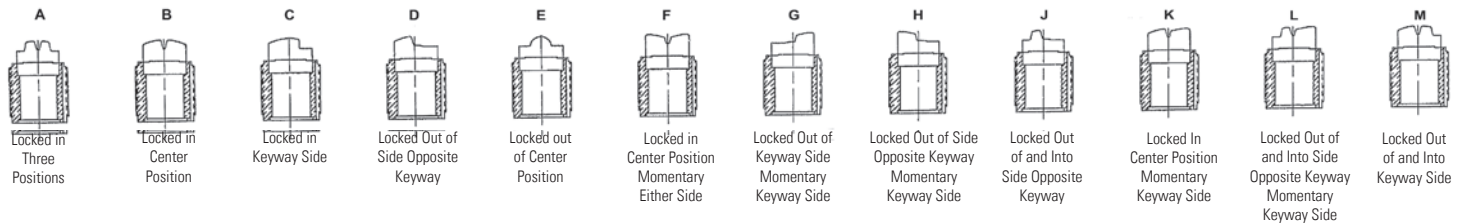


\* **Momentary contact.**

⊕ Dielectric per MIL-DTL-8834 except limited to 1250 Volts. Delayed action of the switch toggle lever may cause circuit to close or open before snap action mechanism trips.

⊗ Caution should be exercised during soldering and flux removal. See page A56 for details.

### Locking Designations



Figures A thru M do not represent details of construction. They schematically illustrate locking function.

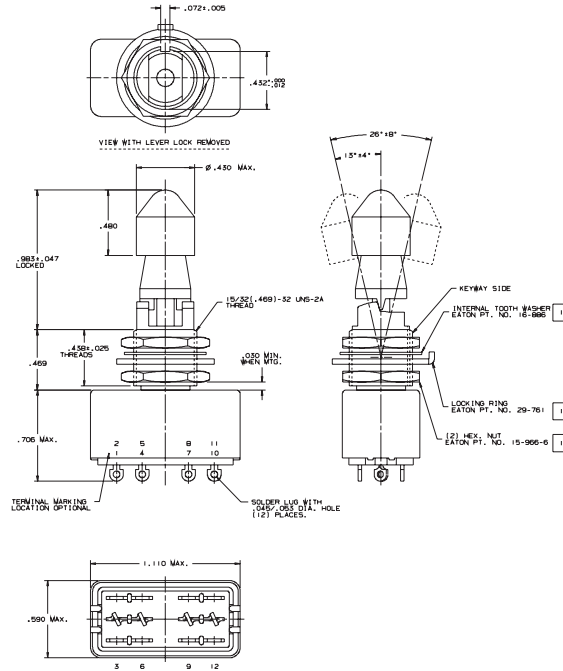
KEYWAY SIDE →

# MINIATURE POSITIVE ACTION SWITCHES

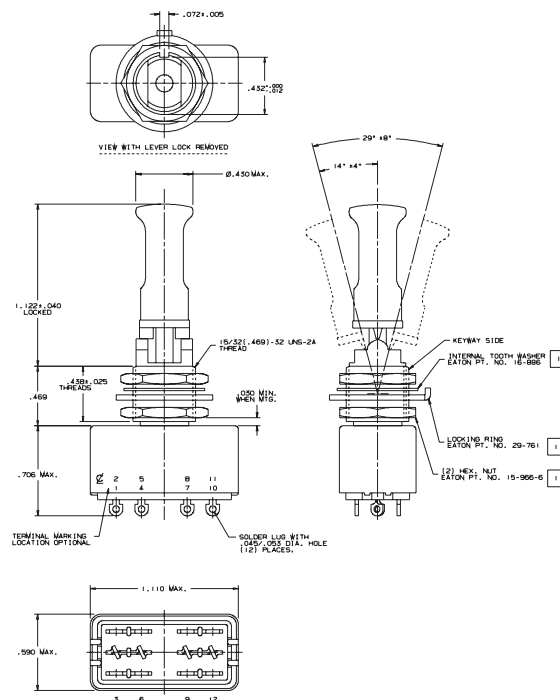
## Series - 8879

# 4-Pole Miniature Positive Switch Series

### MOUNTING DIMENSIONS - FOUR POLE / 8879



### MOUNTING DIMENSIONS - FOUR POLE / 8879



**STANDARD**  
 0.00 = inches  
 [0,0] = mm

### Terminal Identification

Mounting dimensions for reference only.

Non-functional terminals not supplied.