

# PUSHBUTTON SWITCHES

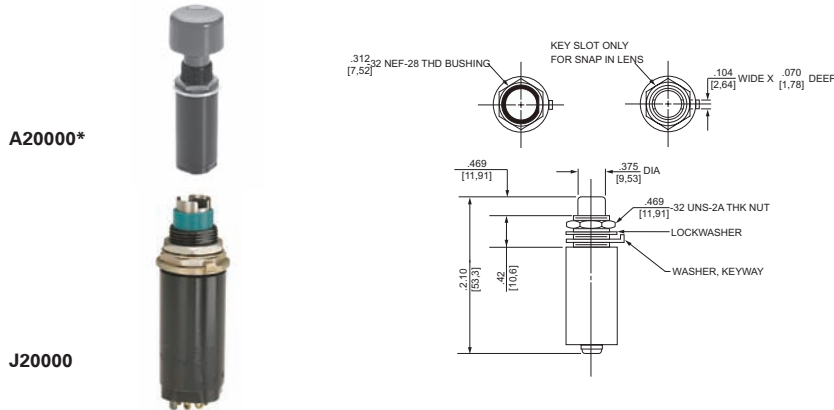
Series - A20000 Momentary Snap Action  
J20000 Push-Push (Alternate) Action

Illuminated Switches

FEATURES	SPECIFICATIONS	CURRENT RATINGS								
		28VDC			115VAC 60/400 Hz					
		Part Number	Number of Poles	Type of Operation	Resistive	Inductive	Lamp	Resistive	Inductive	Lamp
<ul style="list-style-type: none"> <li>Moisture resistant</li> <li>Flame retardant back material</li> <li>Low operating force</li> <li>Independent lamp circuit</li> <li>Rugged case</li> <li>A20000 Series Momentary Snap Action</li> <li>J20000 Series Alternate Action</li> </ul>	<ul style="list-style-type: none"> <li>Drip-proof enclosure design level 2</li> <li>Per MIL-PRF-22885/18</li> <li>Temperature Range: -67°F to +185°F (-55°C to +85°C)</li> <li>Operating Force: 2 ± 1 lb (8.88N)</li> <li>Plunger travel: 0.160 in. (4.06mm) approx.</li> <li>Uses either M22885/19 screw type or snap-in type lenses per MIL-PRF-22885/99.</li> <li>Uses T-1-3/4 Midget Flange Base, Incandescent Lamp</li> </ul>	J20000	2	Alternate	2	1.5	0.5	2	1.5	0.5
		A20000	2	Momentary	2	1.5	0.5	2	1.5	0.5

## SELECTION TABLE

### APPROXIMATE DIMENSIONS

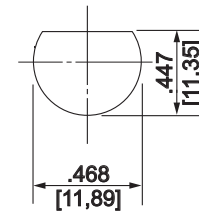
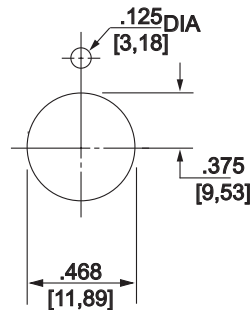
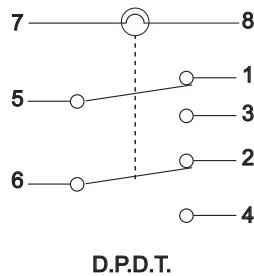
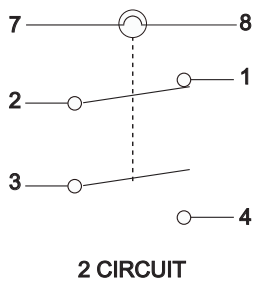


Catalog Number	Circuit	Lens Type	Detail Spec. Sheet
<b>Alternate Action</b>			
J20145	2 P.D.T.	Screw-in	M22885/18-02
J20149	2 Circuit	Screw-in	-04
J20152	2 P.D.T.	Snap-in	M22885/18-06
J20153	2 Circuit	Snap-in	-08
<b>Momentary Action</b>			
A20267	2 P.D.T.	Screw-in	M22885/18-01
A20271	2 Circuit	Screw-in	-03
A20272	2 P.D.T.	Snap-in	M22885/18-05
A20273	2 Circuit	Snap-in	-07

\*NOTE: Catalog number does not include lens shown above.

## SCHEMATIC DIAGRAMS - A20000 AND J20000

## RECOMMENDED PANEL MOUNTING HOLE DIMENSIONS



**STANDARD**  
0.00 = inches  
[0,0] = mm

Dimensions for reference only.