



Solid mechanical construction
 Protection to IP 65, IP 66
 SMD technology
 Electronic preset
 Programmable



Absolut No Shaft Encoder CAH 58 Interbus

Optical absolute encoder with hollow shaft, Single-turn and multi-turn of high resolution

Resolution

Resolution (Steps/360°):

4096 = 12 bit

8192 = 13 bit

Measuring range

Measuring range

Single-Turn

1 turn

Multi-Turn

4096 Umdrehungen = 12 bit

Type explanation

CAH 58-25B-30-IBS/Ø15

Encoder type	Absolute
Hollow shaft	Yes
Case diameter	ø 58 mm
Number of bits	12 = 12 bits x 1 turn 13 = 13 bits x 1 turn 24 = 12 bits x 4096 turns 25 = 13 bits x 4096 turns
Single-turn	Yes
Multi-turn	Yes
Electronic adjustment	Yes
Supply voltage	30 = 10..30 VDC
Interface	IBS = Interbus
Shaft diameter	ø 15 mm

Technical data

Mechanical data

Rotational speed	? 12000 min ⁻¹ (Single-turn) ? 6000 min ⁻¹ (Multi-turn)
Torque	? 3 Ncm
Moment of inertia	30 g cm ²
Loading of bearings	110 N radial 40 N axial
Operational life of ball bearings	> 1 x 10 ⁵ h (1000 min ⁻¹)
Weight	? 0,6 kg

Environmental conditions

Vibration	100 m/s ² (10 ... 1000 Hz)
Shock	300 m/s ² (11 ms)
Operating temperature	-0 ... +60°C
Storage temperature	-40 ... +85°C
Atmospheric humidity	? 98% r.h.
Protection class	IP 66 (optional)

Electrical data

Scanning type	Optical, without contact
Transmitter, infrared	LED
Receiver	Photo-Array
Scanning frequency LSB	800 kHz
Measurement accuracy	±½ LSB (12 bit) ± 1 LSB (13 bit)
Supply voltage	V _{cc} = 10...30 VDC
Power consumption	? 150 mA (V _{cc} = 24 V)

Electrical connections

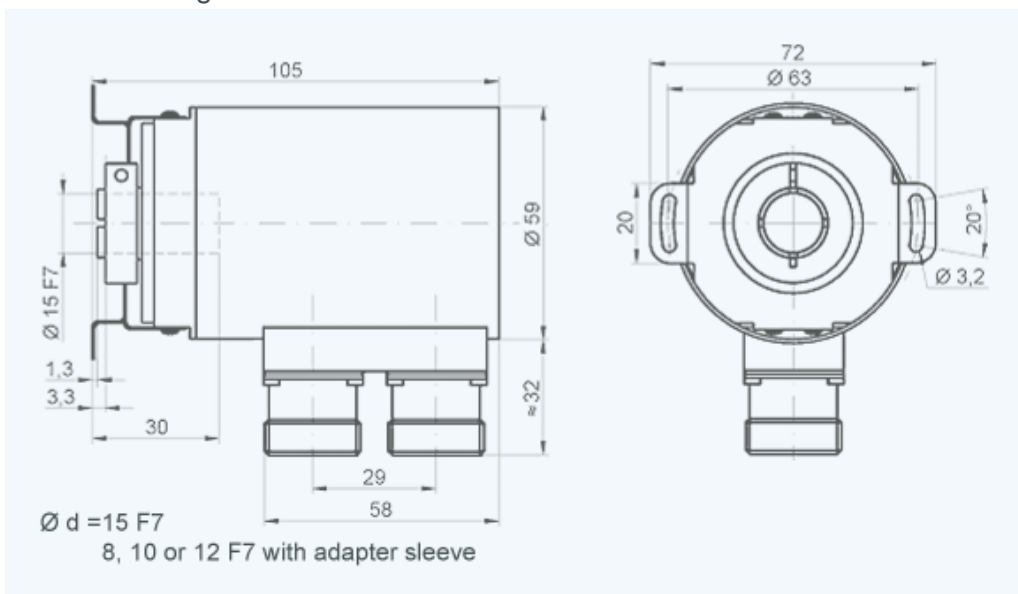
ETHERNET Powerlink

Interface	RS485 with optocoupler
-----------	------------------------

Inputs

Clock frequency	max. 500 kBaud or 2 MBaud
-----------------	---------------------------

Outline drawing



INDUcoder® · INDUcoder Messtechnik GmbH, Kaiserstraße 316, 47178 Duisburg, Deutschland
Tel: (0203) 57047-0, Fax: (0203) 57047-20, E-Mail: info@inducoder.de, Internet:
www.inducoder.de