



Very compact and simple low-cost type for use with STANDARD ABSOLUTE ENCODERS

Flexible stainless steel cable Ø 0.5 mm

Strong spring mechanics

Precision cable drum directly set onto encoder's shaft

Any Multi-turn STANDARD ABSOLUTE ENCODER



Absolut Weggeber PLA 58

Linear Motion Transducer for 1500 mm range, with Standard Absolut Encoder

Used encoder

Used encoder

Absolut Encoder EAM 57 / EAMS 57 SSI

Absolut Encoder EAM 58 Interbus

Absolut Encoder EAM 58 Profibus

Absolut Encoder EAM 58 CANopen[®] / Device Net

Type explanation

PLA 58-15-10/EAM57-25G-30-D-SC12

Measuring range	15 = 1.500 mm
Number of turns of the encoder shaft	10
Encoder type	Absolute
Number of bits	24 = 12 bits x 4096 turn 25 = 13 bits x 4096 turn 28 = 16 bits x 4096 turn
Electronic adjustment	Yes
Supply voltage	30 = 10 .. 30 VDC
Interface	IBS = Interbus PB = Profibus CO = CANopen [®] DN = Device Net PL = ETHERNET Powerlink
Output driver	D-SSI DI
Position of connection	R S
Connector	C12 = 12 pins M23

Technical data

Mechanical data

Acceleration of cable	? 100 ms ⁻²
Side movement of cable	? 3°
Weight	? 0,9 kg

Environmental conditions

Vibration	100 ms ⁻² (20 ... 2000 Hz)
Shock	200 ms ⁻²
Operating temperature	0 ... +70°C
Storage temperature	-40 ... +85°C
Atmospheric humidity	? 98% r.h.
Protection class	IP 65 (Encoder) IP 40 (Mechanic of Linear Motion Transducer)

Electrical data

Scanning type	Optical, without contact
Transmitter, infrared	LED
Receiver	Photo-Array
Scanning frequency	800 kHz
Supply voltage	V _{cc} = 10...30 VDC
Power consumption	? 180 mA (V _{cc} = 24 V)

Electrical connections

SSI

Interface	RS485 with optocoupler
Clock	max. 2 MHz

Profibus

Interface	RS485
Clock	max. 12 MBaud

CANopenR

Interface	CAN Transceiver ISO/DIS 11898
Clock	20 kBaud ... 1 MBaud

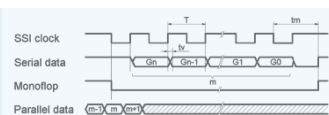
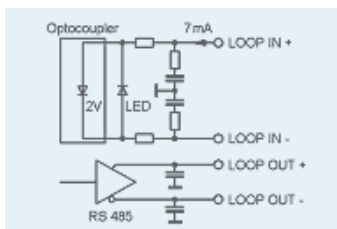
Device Net

Interface	CAN Transceiver ISO/DIS 11898
Clock	125, 250, 500 kBaud

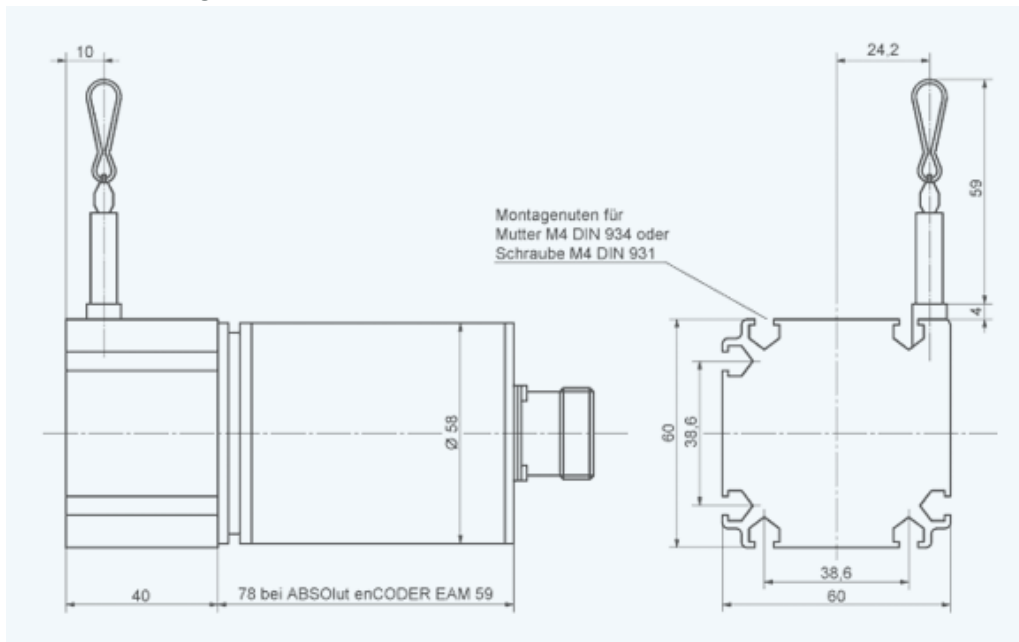
Interbus

Interface	RS485 with optocoupler
Clock	max. 500 kBaud

Channel schematic



Outline drawing



Version ZE 609-206 · Subject to change

INDUcoder® · INDUcoder Messtechnik GmbH, Kaiserstraße 316, 47178 Duisburg, Deutschland
Tel: (0203) 57047-0, Fax: (0203) 57047-20, E-Mail: info@inducoder.de, Internet:
www.inducoder.de