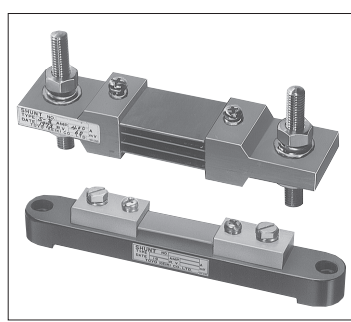


ACCESSORIES

Shunt Outside Dimensions

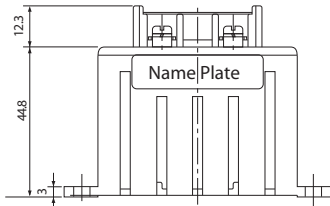
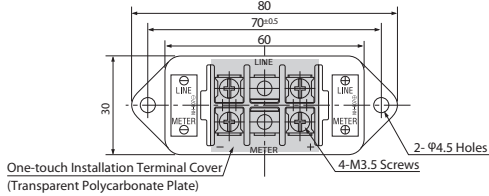
Rated voltage drop 60mV
However, 100mV may occur for the M-2A model.



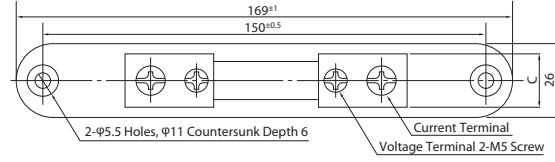
Rating	Shunt Model Name	Note
Less than 1A	M-2A	Continuous Rating 100%
1A to less than 5A	M-2A	
5A to less than 50A	S-10A	
50A~250A	S-8A	Continuous Rating 80%
300A~5000A	S-8	

Less than 1 to 5A M-2A Model

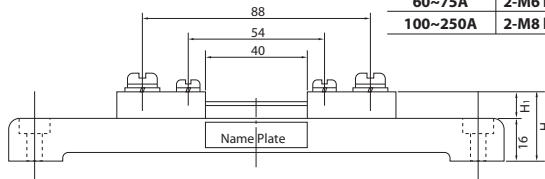
Weight: Approx. 100g



5 to less than 50A S-10A Model 50 to 250A S-8A Model

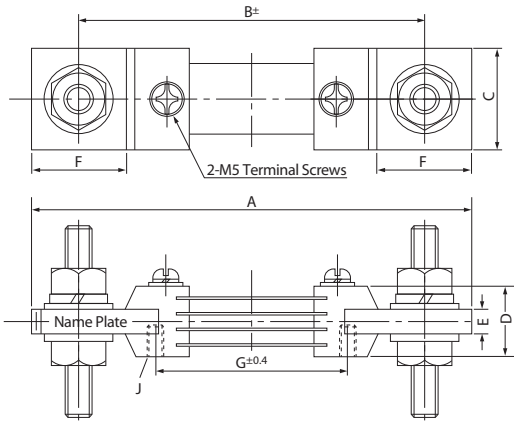


Current Rating	Current Terminal
5~50A	2-M6 pan head screws
60~75A	2-M6 hexagonal bolts
100~250A	2-M8 hexagonal bolts



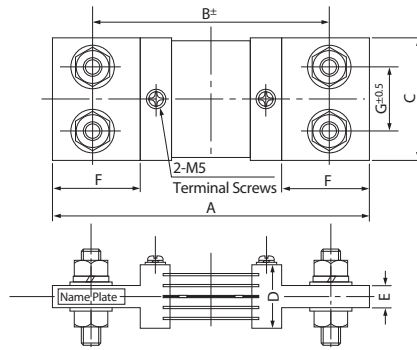
	H	H1	C	Weight
5~100A	26	10	20	Approx. 0.19kg
150A	31	15	22	Approx. 0.27kg
200~250A	33.5	17.5	22	Approx. 0.32kg

300A to 750A S-8 Model



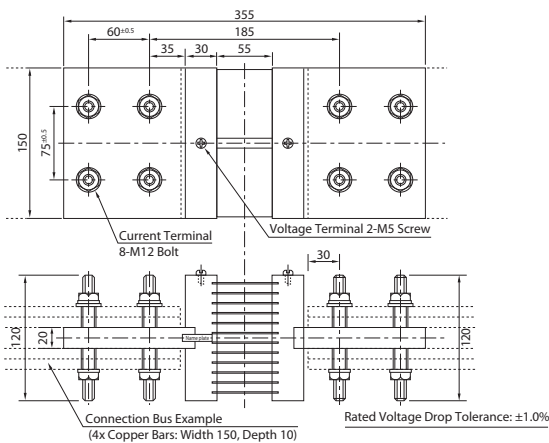
	A	B	C	D	E	F	G	J	Terminal Screws	Weight
300A	140	110	32	22	10	30	60	M5 Tapping	M 8 × 60	Approx. 0.5kg
400A	140	110	32	22	10	30	60	"	M 8 × 60	"
500A	165	125	46	30	12	40	67	M5 Tapping	M 12 × 60	Approx. 1kg
600A	165	125	46	30	12	40	67	"	M 12 × 60	"
750A	190	140	65	40	15	50			M 12 × 60	Approx. 2kg

1000A to 3000A S-8 Model

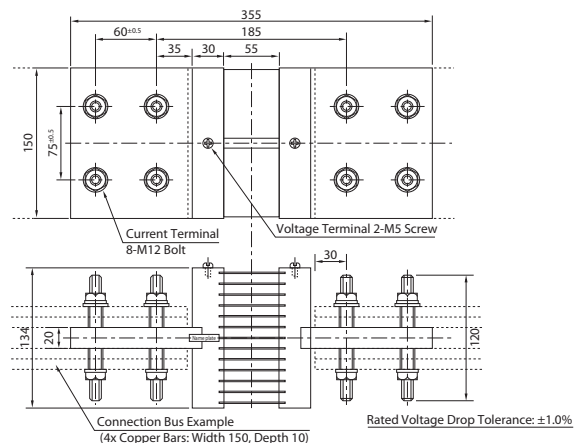


	A	B	C	D	E	F	G	Terminal Screws	Weight
1000A	200	150	75	40	15	55	40	M 12 × 60	Approx. 2.2kg
1500A	230	170	85	55	16	65	45	M 12 × 60	Approx. 4kg
2000A	230	170	110	55	16	65	60	M 12 × 60	Approx. 5kg
2500A	254	198	110	70	23	64	60	M12 × 90	Approx. 6.5kg
3000A	254	198	110	70	23	64	60	M 12 × 90	Approx. 8kg

4000A S-8 Model Weight: Approx. 21kg



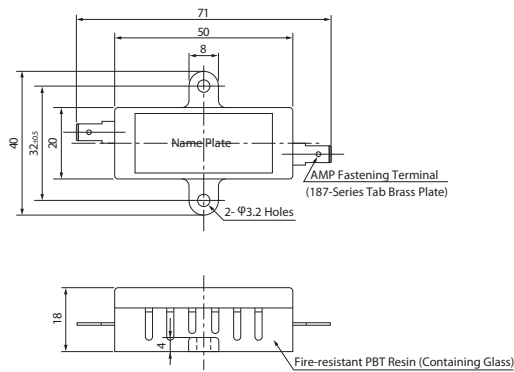
5000A S-8 Model Weight: Approx. 22kg



Series Resistor Outside Dimensions

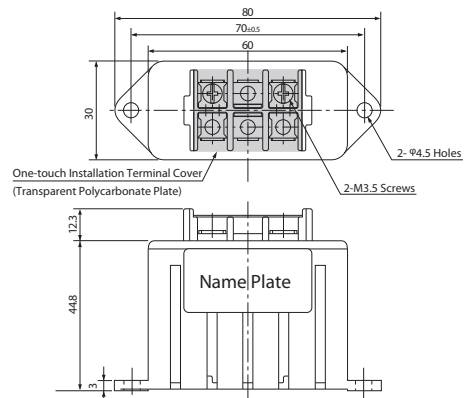
M-1 Model

Weight: Approx. 20g



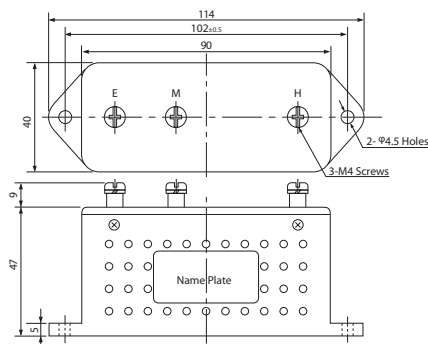
M-2A Model

Weight: Approx. 100g



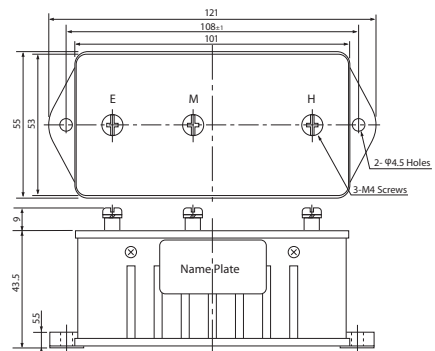
M-2B Model

Weight: Approx. 0.15kg



M-3 Model

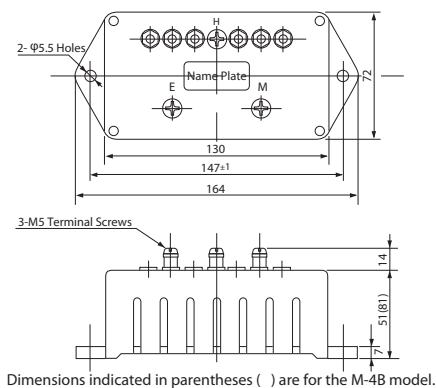
Weight: Approx. 0.15kg



Note) There are 2 terminals on the M-2B, M-3 and M-4A series resistors for the moving-iron type AC voltmeters.

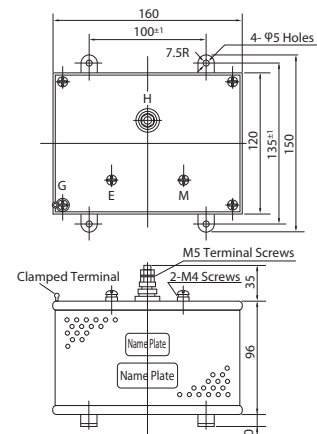
M-4A Model (M-4B Model)

Weight: Approx. 0.3kg



M-6 Model

Weight: Approx. 0.8kg



Indicator Symbols

Display indicator differences between new and old, and their meaning

Old JIS Standard Symbols	New JIS Standard Symbols	Display Indicator Contents
		Reference the accompanying section
		Rectifier-type - indicates that an item is affected by waveform
		Electronic Device Type - not affected by waveform
		Moving-coil type
		Moving-iron type
		DC circuit and/or DC response measurement component
		AC circuit and/or AC response measurement component
		DC and AC response measurement component
3~	3~	Three-phase AC circuits
3~1E	3~1E	Single measurement component for use with three-wire system circuits
3~2E	3~2E	Two measurement component for use with unbalanced load three-wire system circuits
3N~1E	3N~1E	Single measurement component for use with four-wire system circuits
3N~2E	3N~2E	Two measurement component for unbalanced load four-wire system circuits
3N~3E	3N~3E	Three measurement component for unbalanced load four-wire system circuits
0.5	0.5	Class index 0.5 class
1.0	1.0	Class index 1.0 class
1.5	1.5	Class index 1.5 class
2.5	2.5	Class index 2.5 class
5.0	5.0	Class index 5.0 class Applied to the synchroscope Applied to the power factor meter
1.0	1.0	Class index 1.0 class depending on span (Used with reception meter)
1.5	1.5	Class index 1.5 class depending on span (Used with reception meter)
2.5	2.5	Class index 2.5 class depending on span (Used with reception meter)
		Scale plate used for vertically mounted meters
		Scale plate used for horizontally mounted meters
		Scale plate used for meters from the horizontal plane to 60°
		Indicates normal use range from 80°~100° in the initial position
	CAT III 600V	Voltage test 3320V 5 seconds long
	————	Voltage test 1500V
	————	Voltage test is not conducted
		Indicates an externally attached shunt
		Indicates an externally attached series resistor
		Indicates externally attached serial impedance
		Indicates an externally accessory
	————	Indicates that a nominal circuit voltage of AC650 is exceeded (Indicated on labels of relevant items)
	————	Indicates an accessory and/or meter is high voltage. DC650V AC650V More than
		JIS Mark (JIS C1102 is not indicated) JQA is an abbreviation for Japan Quality Assurance Organization, the certifying authority in Japan
CT ○○○A/○A	CT ○○○A/○A	CT expressions are indicated in ratios (both sides are expressed in A)
VT ○○○V/○○○V	VT ○○○V/○○○V	VT expressions are indicated in ratios (both sides are expressed in V)

Types		Symbols
Current	Ampere	A
	Milliampere	mA
	Microampere	μA
	Kiloampere	kA
Voltage	Volt	V
	Millivolt	mV
	Kilovolt	kV
Electrical Power	Watt	W
	Kilowatt	kW
	Megawatt	MW
Reactive Power	Var	var
	Kilovar	kvar
	Megavar	Mvar
Frequency	Hertz	Hz
	Kilohertz	kHz
Phase Angle		φ
Power Factor		cosφ
Reactive Factor		sinφ

Other Symbols

Types	Symbols
Steel Plate Use	Fe
Non-Steel Plate Use	NFe