



➔ Advantages:

- ✓ Compact design
- ✓ Suitable for mobile use
- ✓ Well-priced
- ✓ Useable in EX-protected areas
- ✓ Low weight
- ✓ No power supply required
- ✓ High pressure generation possible
- ✓ Larger tank volume available
- ✓ Single- and double acting available

Description

General

Hydro-pneumatic pump units are handy and portable because of a compact design (weights from 5 to 10 kg).

This pressure generators are suitable for use in clamping systems for operating single or double acting clamping elements.

The pressure generator convert a pneumatic input pressure into a hydraulic operating pressure.

Pressure setting and compressed air treatment are carried out in an upstream pneumatic maintenance unit (not supplied).

There are tanks available with a capacity from 1,4 to 2,1 liters as the default, and tank sizes of 5 and 7 liter on request. The output pressures of the oil side is mainly dependent on the pneumatic pressure input.

The volume flow is depending on the pressure of the intake air. It is 0.8 to about 2.7 L/min.

In all models, the pedals are lockable, so that at a pressure drop in both systems a readjustment is guaranteed in case of any leaks (Figure 1).

The model IAHP-001 has a transparent tank.

In models IAHP-002 and IAHP-003 a oil level sight glass is integrated to check the oil level (Figure 2).

All models are equipped with a replaceable internal air filter and a relief valve provided in order to protect the hydraulic components, regardless of air pressure .



1. Pedal-Lock

2. Sight glass



Note

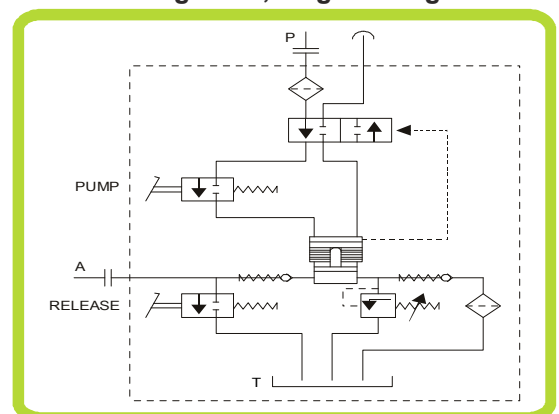
All, in the instructions enclosed operating instructions and maintenance instructions must be observed.

We recommend hydraulic oil acc. DIN 51524. Upon delivery, the pressure generators are already filled with oil.

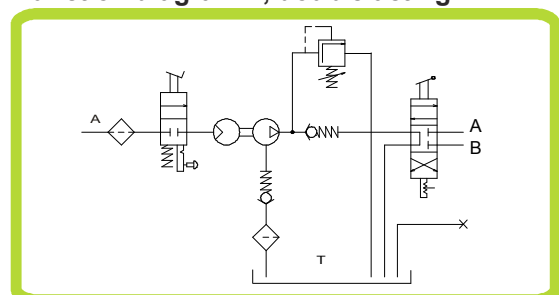
A pneumatic maintenance unit for pressure regulation is not included.

The noise level is 75 dBA.

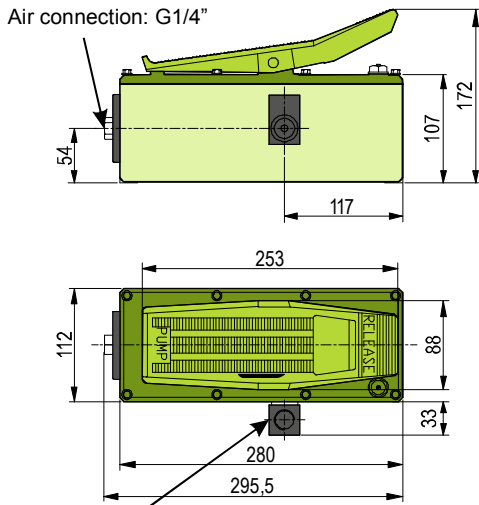
Function diagramm, single acting:



Function diagramm, double acting:

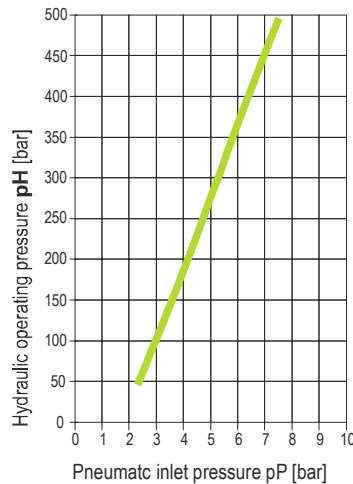


IAHP-001



Oil connection: 3/8 - 18 NPTF

Operating pressure p_H in dependence to inlet pressure p_P



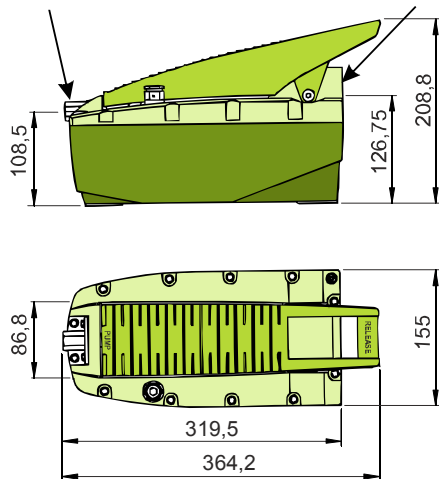
Technical data:

pneumatic inlet pressure p _P	[bar]	2,8 - 7
Operating pressure p _H min.	[bar]	50
Operating pressure p _H max.	[bar]	450
Volume flow max. at 7 bar	[l/min]	1,6-2,2
Air connection, Thread		G1/4
Air consumption max.	[l/min]	400
Oil connection, Thread		G3/8
Oil volume	[l]	1,4
Weight (full)	[kg]	5,0

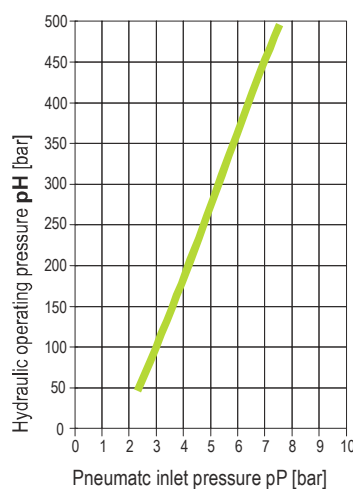
Function: Single acting
Tank: Transparent

IAHP-002

Air connection: G1/4" Oil connection: 3/8 - 18 NPTF



Operating pressure p_H in dependence to inlet pressure p_P

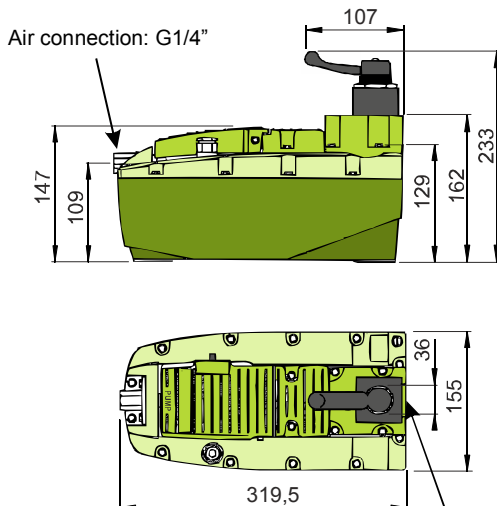


Technical data:

pneumatic inlet pressure p _P	[bar]	2,8 - 7
Operating pressure p _H min.	[bar]	50
Operating pressure p _H max.	[bar]	450
Volume flow max. at 7 bar	[l/min]	1,4-2,1
Air connection, Thread		G1/4
Air consumption max.	[l/min]	400
Oil connection, Thread		G3/8
Oil volume	[l]	2,1
Weight (full)	[kg]	6,3

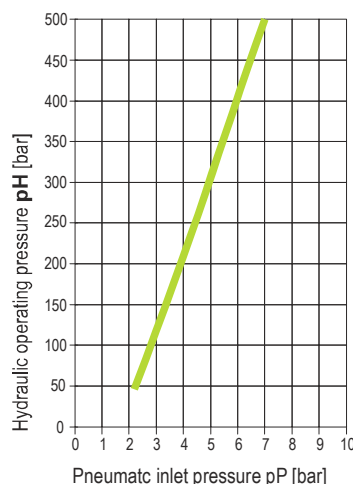
Function: Single acting
Color: Black

IAHP-003



Oil connection: 3/8 - 18 NPTF

Operating pressure p_H in dependence to inlet pressure p_P



Technical data:

pneumatic inlet pressure p _P	[bar]	2,8 - 7
Operating pressure p _H min.	[bar]	50
Operating pressure p _H max.	[bar]	500
Volume flow max. at 7 bar	[l/min]	1,6-2,2
Air connection, Thread		G1/4
Air consumption max.	[l/min]	400
Oil connection, Thread		G3/8
Oil volume	[l]	2,1
Weight (full)	[kg]	6,6

Function: Double acting
Color: Black

Special solutions on request!

Contact

inosol GmbH
Frankfurter Str. 18
35315 Homberg/Ohm (Germany)

web: www.inosol.solutions
email: info@inosol.solutions
tel.: (+49) 6633 / 368 95 25