



compact, robust design
low inertia
high transmission accuracy
maintenance-free use
absolutely backlash-free torque
transmission

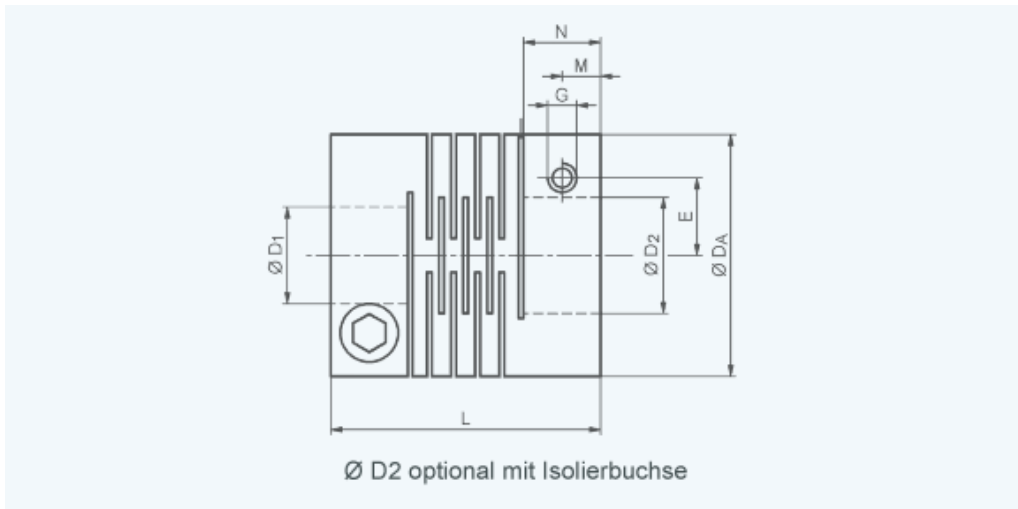
Shaft coupling ASK

With clamps, backlash-free - rigidity - structurally inert, aluminum special alloy. ASK couplings are designed structurally inert and absorb by special slot structures critical oscillations in the closed loop. In addition to the standard holes - with and without insulating bush - we supply couplings ASK also suitable for shafts with inch scale, for example with 3.16 mm or 6,35 mm or 9.52 mm diameter.

Technical data

Typ ASK		011	018 BB	022 BB	025 BB
Rated torque	[Nm]	1	1	1	5
Torsion stiffness	[10 ³ Nm/rad]	0,14	0,2	0,2	3,4
Weight approx.	[kg]	0,004	0,08	0,16	0,03
Moment of inertia	[10 ⁻⁶ kg m ²]	0,2	0,3	0,4	4,3
Shaft displacement lateral	[mm]	0,3	0,3	0,3	0,2
Shaft displacement axial	[mm]	0,4	0,4	0,4	0,2
Angular displacement	[°]	3	1	2	2

Outline drawing



Dimensions

Typ ASK	011	018 BB	022 BB	025 BB
L	16	17	20	28
DA	12	18	22	25
D1	2,5	6	10	8..12
D2	2,5/3/4	5/6	6/8/10	8..12
M	2,5	2,4	3,3	4
N	4,5	4,8	6,6	8
E	5	4,8	6,6	8
G	M1,6	M2,5	M2,5	M3

INDUcoder® · INDUcoder Messtechnik GmbH, Kaiserstraße 316, 47178 Duisburg, Deutschland
 Tel: (0203) 57047-0, Fax: (0203) 57047-20, E-Mail: info@inducoder.de, Internet:
www.inducoder.de