

Control valves

Series EURO

General service valve 2 way

BUROCCO

INDUSTRIAL VALVES srl

Technical data

Size (DN)	DN 15 — 100
Pressure rating	PN16
Connections	Flanges UNI/DIN PN16
Type sealing	Soft (Class VI)
Characteristic	Equalpercentage (eqp%)
Action	Pneumatic with diaphragm (supply max 3 bar)
Temperature	from -5 to +205°C

Description

The Series EURO control valve is a general service valve with a body made from nodular cast iron. The precise machined plug and seat give an excellent control performance. With the standard high quality PTFE/CG or PEEK plug insert the valve reaches a Class VI bubble tight shut off. The Series EURO control valve is the best choice for a simple and reliable globe valve. Series EURO valves can be used for liquid and gasses up to 16 bar and steam up to 12 bar. All Burocco valves are delivered after testing and calibration and ready for a long utilize, without maintenance.

Options

- ⇒ Plug sealing HPP PEEK
- ⇒ Characteristic linear
- ⇒ High temperature packing
- ⇒ Handwheel for emergency operation
- ⇒ Valve positioners
- ⇒ Limit switches
- ⇒ Airset
- ⇒ Electric linear actuators (230 V AC, 110/115 V AC, 24 V AC/DC)



Flow rate coefficient (CV)

DN	CV	KVs
15	4	3,5
20	7	6
25	12	10
32	18	15,5
40	28	24
50	48	41
65	72	61,5
80	105	90
100	160	136

Control valves

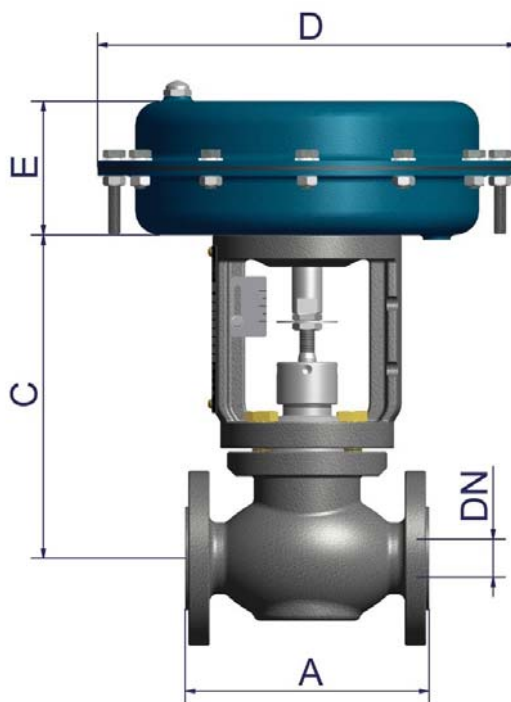
Series EURO

General service valve 2 way

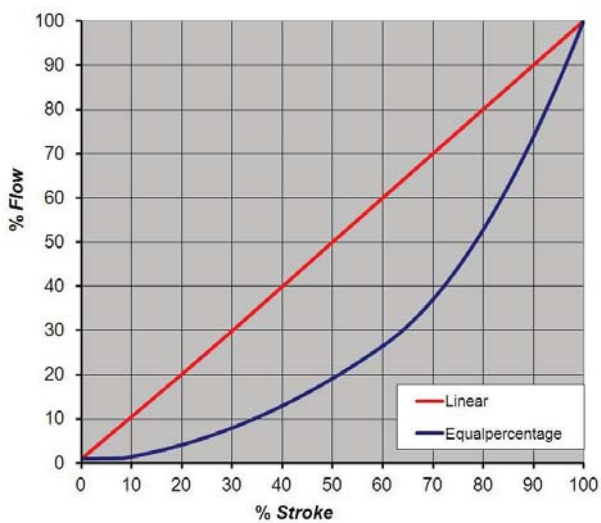
BUROCCO

INDUSTRIAL VALVES srl

Materials	
Valve body	Nodular cast iron GGG 40 (PN16)
Trim (plug - seat)	316L + PTFE-CG or PEEK plug insert
Stem	316L
Packing	PTFE, PTFE+'OR' FPM, special
Body gasket	FASIT 400, SIL C4500, PTFE
Acuator	FE (epoxy varnish)
Yoke	GGG 40 (epoxy varnish)



Control characteristic



Standard dimensions (mm)

DN	A	C	D	E
15	130	212	205 / 275	88 / 100
20	150	212	205 / 275	88 / 100
25	160	212	205 / 275	88 / 100
32	180	212	275 / 340	100 / 135
40	200	212	275 / 340	100 / 135
50	230	212	275 / 340	100 / 135
65	290	298	340 / 430	135
80	310	298	340 / 430	135
100	350	318	430	135

Standard weight*

DN	15	20	25	32	40	50	65	80	100
kg	12 / 15	13 / 16	14 / 17	19 / 25	20 / 26	26 / 32	47 / 53	51 / 57	65

* without positioner, airset or other accessories