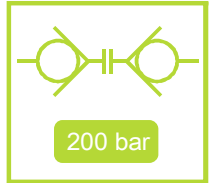




### Advantages:

- ✓ Very low leakage and air intake
- ✓ Each part 85% rough vacuum endurance
- ✓ Pressurized and depressurized connectable
- ✓ Suitable for fluids and gases
- ✓ Mounting into individual contour
- ✓ Low pollution possibility
- ✓ Mounting compatible to nominal diameter 3 and 8
- ✓ Stainless steel parts



### Description

#### Technical Data:

<b>Nominal Diameter [ND]:</b>	<b>6</b>	<b>10</b>
max. working pressure [bar]	200	200
max. flow rate oil hydraulics [l/min]	15	35
max. flow rate air/vacuum [l/min]	800	1800
max. flow rate water [l/min]	18	52
Coupling stroke [mm]	4,5	7
Coupling force min. at 0 bar [N]	70	92
Axial positioning tolerance	+ 0,3	+ 0,3
Radial positioning tolerance	± 0,2	± 0,3
Permitted angle tolerance [mm]	± 0,6°	± 0,6°
Coupling force under pressure* [mm]	F[N]=16 x p[bar]	F[N]=38 x p[bar]

\*= see following page as well.

#### Explanation:

These coupling elements are only for and are used mechanically connecting for the transfer of liquids and gases.

The elements have to be integrated directly into a counter contour. Because of the use of an axial seal between coupling mechanism and coupling nipple, radial and axial positioning tolerances can be compensated in a limited scope.

All mechanical parts are made of stainless steel (partly high density). The coupling elements are **pressurized and depressurized** connectable.

The screw-in elements are mounting compatible to standard elements with **nominal diameter 3 and 8**.

#### Recommendations for use:

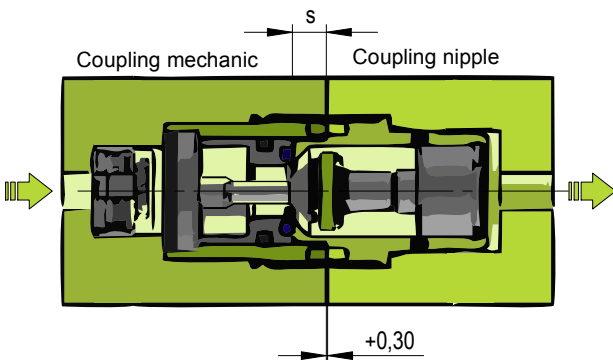
The mechanism and the nipple must be coaxial and opposite to each other before the coupling process.

The inclusion bodies of both coupling elements must be guided approximately 2 mm before the contact of the flat face sealing, without passing the radial position tolerance.

When coupling nipple and coupling mechanism are locked and under pressure, there's a coupling force acting between them.

The coupling force must be absorbed by a form-locking or nonpositive design. (see technical data -. coupling force).

The connecting- surfaces must be free of dirt before connecting.



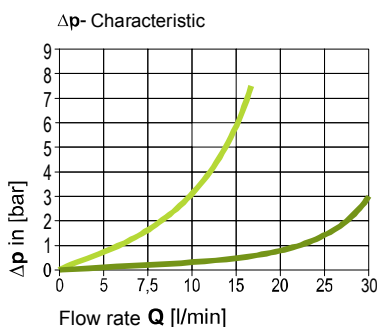
### Parameters

The pressure losses are depending on temperature and used medium. The graph is based on following values:

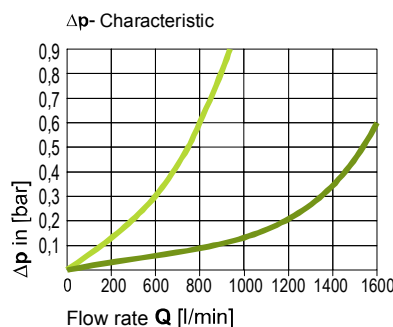
Hydraulic oil: 200 bar  
Air: 6 bar  
Water: 35 bar

— ND 6  
— ND 10

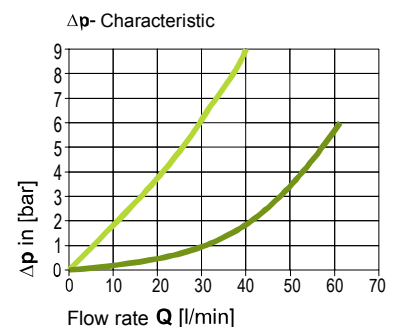
#### Pressure drop - hydraulic oil



#### Pressure drop - air

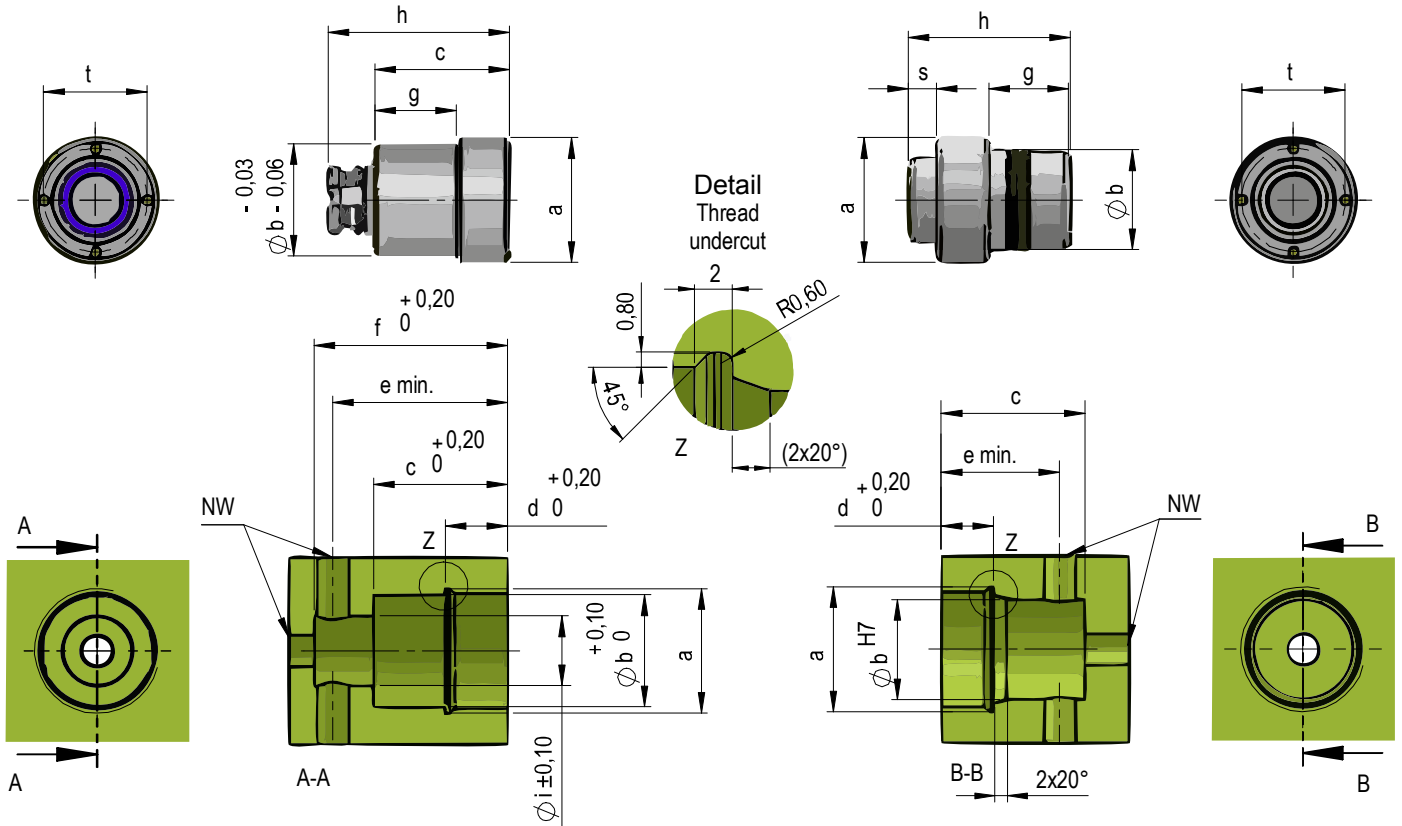


#### Pressure drop - water



### Coupling mechanics

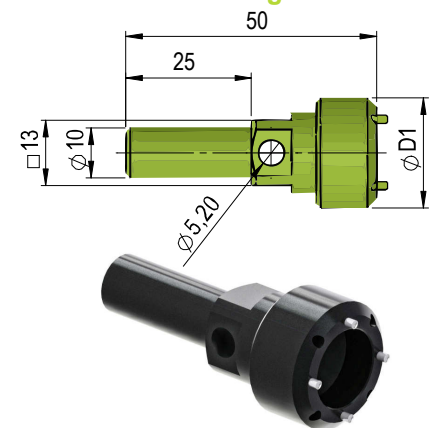
### Coupling nipples



### Details

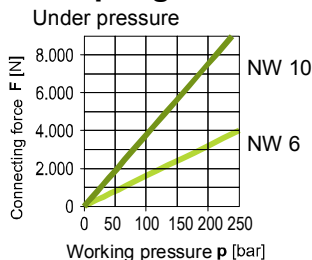
Nominal diameter		6		10	
Model	Unit	Mechanic	Nipple	Mechanic	Nipple
a	mm	M20x1,5	M20x1,5	M36x1,5	M30x1,5
b	mm	18	16	30	25
c	mm	21,5	23	31	26
d	mm	10	8,5	13	8,5
e	mm	28	19	40	22,5
f	mm	31	-	46,5	-
g	mm	13	13	19,5	14
h	mm	29,2	25,9	44	30
i	mm	11,2	-	18	-
s	mm	-	4,5	-	7,5
t	mm	16,6	16,6	25,4	25,4
D1	mm	22	22	30	30
Torque	Nm	14	14	20	20
<b>Part number</b>		<b>ICME06-003</b>	<b>ICNI06-003</b>	<b>ICME10-003</b>	<b>ICNI10-003</b>
Mounting tool		ITC06-002	ITC06-002	ITC10-002	ITC10-002

### Mounting tool



### Additional Information

### Coupling force



### Compatibility:

With regard to the mounting contour, the inosol elements are interchangeable with some competitive products, but these elements offer a much larger free cross-section (nominal width).

### Multi Coupling Systems:

Since multi coupling systems always manufactured according to individual customer specifications, there is no separate data sheet available. We will gladly make an offer according to your specific requirements.

### Contact

iNOSOL GmbH  
Frankfurter Str. 18  
35315 Homberg/Ohm (Germany)

web: [www.inosol.solutions](http://www.inosol.solutions)  
email: [info@inosol.solutions](mailto:info@inosol.solutions)  
tel.: (+49) 6633 / 368 95 25