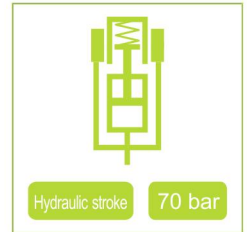


Advantages:

- ✓ High support forces
- ✓ Low working pressure
- ✓ Metal wiper as option
- ✓ Perfect Coolant protection
- ✓ Expandable with accessories



Function

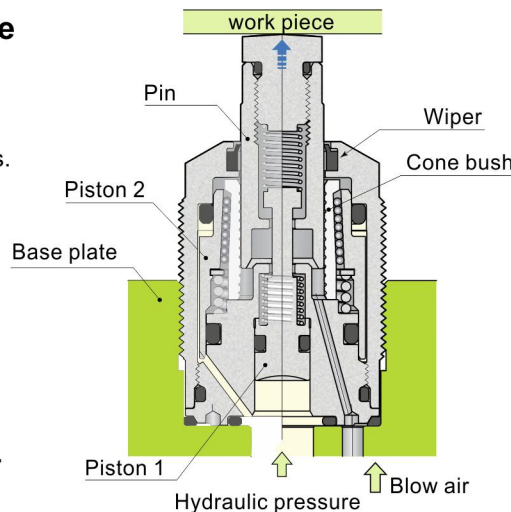
Recommendations for use

Support elements act as variable clamping points for supporting work-pieces during machining and avoid/reduce the vibrations and deflections.

For space-saving the threaded-body design allows the direct installation into the fixture body.

The hydraulic oil supply and the ventilation effected through drilled channels.

The operation is carried out hydraulically against spring force.



Description

The - in the housing integrated - cone bush, clamps the movable plunger when it is pressurized. But previously, this plunger is moved by the pressure connection, against the workpiece.

The penetration of liquids is prevented by a FKM wiper.

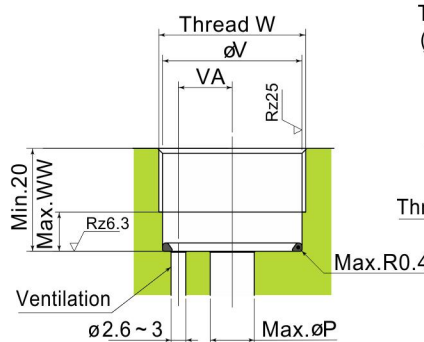
An optional metallic wiper provides another reliable protection against the penetration of hot chips.

If required, the ventilation connecting can be pressurized with blow air.

Technical Data

Typ	CSY00-H	CSY03-H	CSY04-H	CSY06-H
A	49	54	48	60
B	57	62	58	71
C	63	69	65	78
D	66	73	69	82
E	10	12	15	16
F	24.3	28.2	34.2	43.2
G	8.4	9.4	9.4	9.4
H	4.5	5.5	7.2	7.2
HH	5.1	6.8	8.5	8.5
JJ	20.6	23.2	24.1	32.5
K	1	1	1	1
L	3.5	4.3	5	5
M	9.5	11.5	12.5	12.5
N	4.5	6	7.8	7.8
P	7.5	9	9	9
Q	3	4	4	4
R	1.5	1.9	1.9	1.9
S	22	24	30	36
T	8	10	11	11
TT	8	10	13	13
U	5	6	6	6
V	24.5	28.5	34.5	43.5
VA	9	11	13	16
W	M26x1.5	M30x1.5	M36x1.5	M45x1.5
WW	8	9	9	9
X	M6x1	M8x1.25	M10x1.5	M10x1.5
Depth	Tiefe 9	Tiefe 12	Tiefe 11	Tiefe 11

Insert-contour

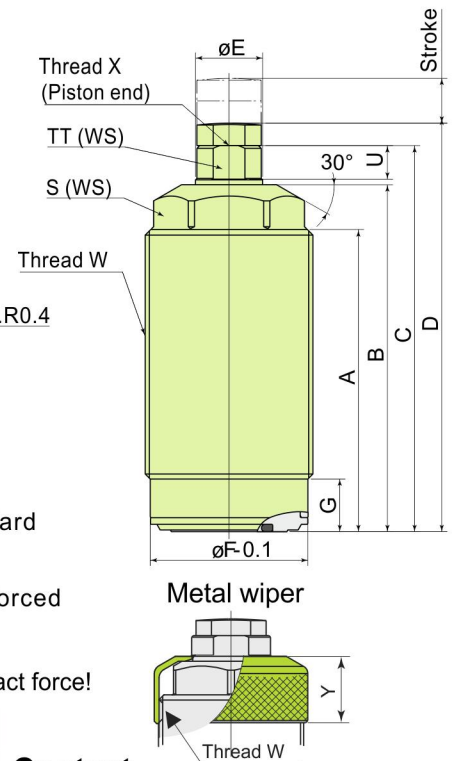


Metal wiper and other extensions you can find in data sheet CLS003

CSY

- 00 L Standard type
- 03 - type
- 04 H Reinforced type
- 06 - type

Reinforced type with a higher contact force!



Typ	CSY00	CSY03	CSY04	CSY06
Support force (kN)	3	4	5.5	10
Oil demand (cm³)	0.6	0.8	1.2	2.0
Spring contact force (N)	L: Standard Spring (2 ~ 4)	4 ~ 6	5 ~ 8	5 ~ 8
	H: Strong spring (3 ~ 6)	5 ~ 8	6 ~ 11	8 ~ 14
Stroke (mm)	6.5	8	8	10
maximum weight thrust piece (kg)		0.05		0.1
Weight (kg)	0.2	0.3	0.4	0.7

Contact

iNOSOL GmbH tel.: (+49) 6633 / 368 95 25
Frankfurter Str. 18
35315 Homberg/Ohm (Germany)

This offer is provided in cooperation with:

Pascal
GmbH