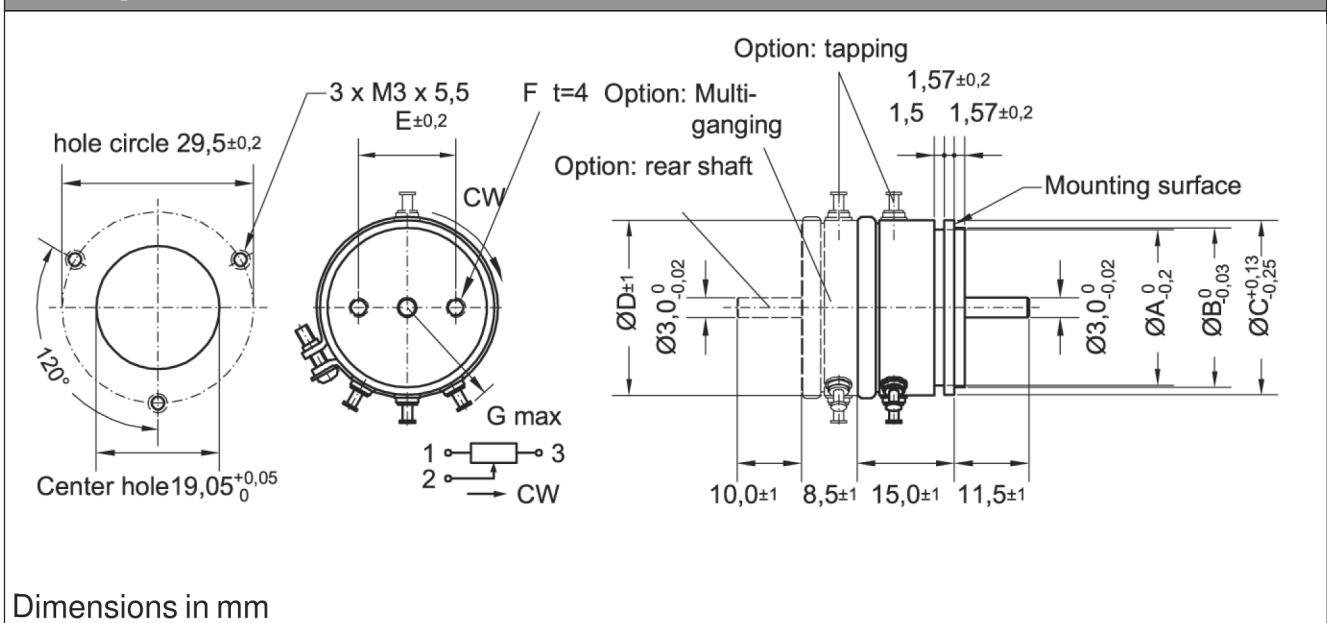


- Linearity tolerance 0,1%
- 2 precision ball bearings
- Life expectancy 50 mio. turns
- Custom specific adaptations

The series MCP30 has been designed for high standards of accuracy and reliability. Specific features are excellent linearity tolerance and life expectancy. Front shaft (IP65) and body sealing available (IP64) on request. Preference types from stock.



Drawing



Dimensions in mm

Type	A	B	C	D	E	F	G
MCP30	24	24,61	26,97	27,00	15,00	2 x M3	20,00

Electrical Specification		MCP30
Electrical angle	[°]	340 ±5
Nominal resistance value	[kOhm]	0,5 to 100
Resistance tolerance	[%]	±10 (5%)
Linearity tolerance (independent)	[%]	±0,25 (0,1)
Output smoothness acc. Mil-R-39023	[%]	< 0,1
Power rating at +40°C (0W at 125°C)	[W]	1,5

Mechanical Specification		MCP30
Mechan. angle	[°]	360 without stop
Max. operating speed	[turns/min]	400
Life expectancy	[turns]	50 x 10 ⁶
Bearing		2 precision ball bearings
Starting torque	[Ncm]	0,2



Environmental Specifications / Material		MCP30
Body material		steel
Shaft material		stainless steel
Terminals		solder pins, gold-plated
Mounting parts (included in delivery)		3 clamps SFN2 with screws M3 x 5,5
Operating temperature	[°C]	-55 .. +105
Protection grade of optional shaft sealing		IP65
Weigth	[g]	25

Order code

Description	Options
Conductive plastic potentiometer MCP30	MCP30
Resistance value [Ohm]	R500 (*) R1K R2K (*) R5K R10K R20K (*) R50K (*) R100K (*)
Rear shaft, length [mm] (*)	RA.. (*)
Special diameter of the rear shaft [mm] (*)	RADM (*)
Resistance tolerance	W10% W5% (*)
Independent linearity [± %]	L0,25% L0,1% (*)
Center tap (voltage type) (*)	CT (*)
Special shaft length [mm] (*)	A.. (*)
Special shaft diameter [mm] (*)	DM (*)
Screwdriver slot (*)	B (*)
Sealing ring in the bushing (*)	D (*)

short-term stock types can be found on: <http://www.megatron.de/en/stocklists/linear-sensors/lagerliste.html>

bold print = standard option

(*) = on request available for projects

For higher quantities or on-going demand, additional options are available as described below

For example:

- Other resistance values
- Mounting of cables and connectors
- Multi ganged versions for redundancy
- Special shaft design

For technical advice, projects, samples, questions about pricing, delivery times and availability please contact us

Tel.: +49 89 46094-500
export@megatron.de

Please note

All the specifications and information in this datasheet can not consider the special demands that are caused by the application. Because of this, they are no general description of the properties of the product. Please consider also our detail specifications.