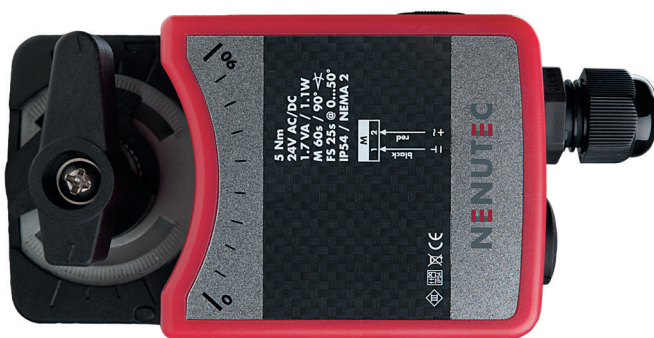




NENUTEC WATER - ROTARY VALVE ACTUATOR

STANDARD 5 Nm | MODULATING CONTROL



NEBM...05

NENUTEC standard rotary valve actuators are especially designed and produced for HVAC system – and fan coil applications.

Our wide range of NENUTEC standard rotary valve actuators has been developed to operate and position 2 - 3 way ball valves of different sizes.


■ NVCB... ball valve size DN15 / DN20

■ Power supply
AC24V - 50/60 Hz - DC 24V

■ Control Y 0(2)...10 VDC

■ Position feedback U 0...10 VDC

■ Digital greentech technology 

■ Shaft dimensions
 9 mm square fix with bracket
NVCB... ball valve

■ Selectable direction of rotation by switch

■ Actuator with 1000 mm cable connection

■ Customer version (on request)

Pictures might not correspond with technical data.

MODEL SELECTION TABLE

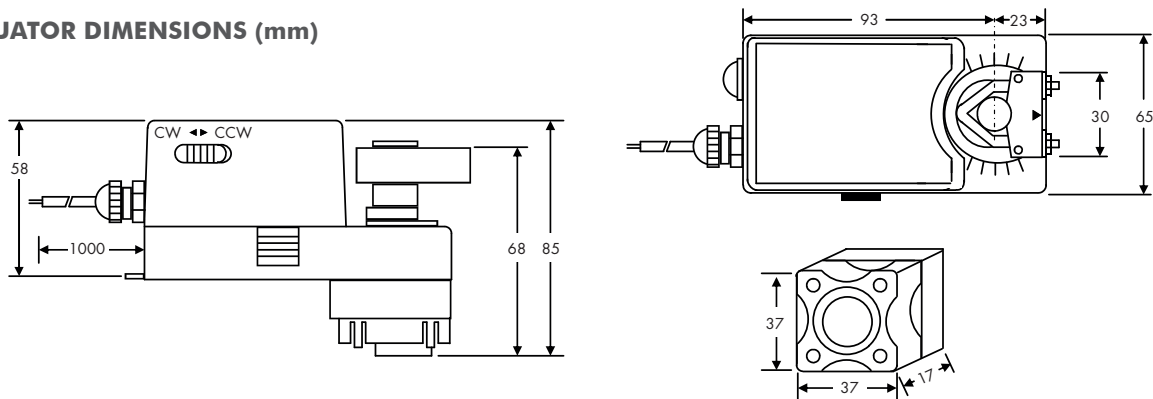
Torque	Running time	Power supply	Auxiliary Switch	Model / Type
5 Nm	70...100 sec	AC/DC 24V ± 15%	No	NEBM24.2-05



NENUTEC WATER - ROTARY VALVE ACTUATOR

STANDARD 5 Nm | MODULATING CONTROL

ACTUATOR DIMENSIONS (mm)



TECHNICAL SPECIFICATIONS

NEBM24.2...

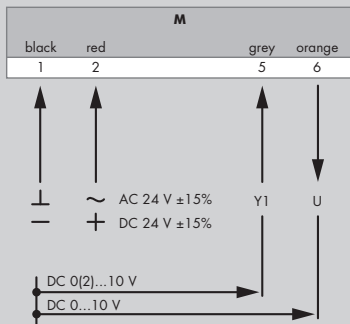
Torque	5 Nm
Valve size	DN15(1/2") / DN20(3/4")
Shaft dimensions	□ 9 mm square fix with bracket
Power supply	AC 24V DC 24V ± 15%
Frequency	50 - 60 Hz
Control signal Y (input)	0(2)...10 VDC
Feedback position U (output)	0...10 VDC
Power consumption	
- Operating	1.2 W
- End position	0.8 W
For wire sizing	2.0 VA
Protection class	III ⚡
Angle of rotation	max. \sphericalangle 90° (95° mechanical)
Angle of limiting	mechanical end stop
Weight	< 0.8 kg
Life cycle	60'000 rotation
Sound level motor and EFS	42 dB (A)
IP protection	IP 54 (dust protected & protected against splash water)
Operating temperature	-20°...+50° C / IEC 721-3-3
Non-operating temperature	-30°...+80° C / IEC 721-3-2
Ambient humidity	5%...95% rH non condensing
Maintenance	Maintenance free
Mode of operation	Type I / EN 60730-1
EMC	CE according to 2004/108 / EC



NENUTEC WATER - ROTARY VALVE ACTUATOR

STANDARD 5 Nm | MODULATING CONTROL

Wiring diagram NEBM24.2...
Power supply AC/DC 24 V

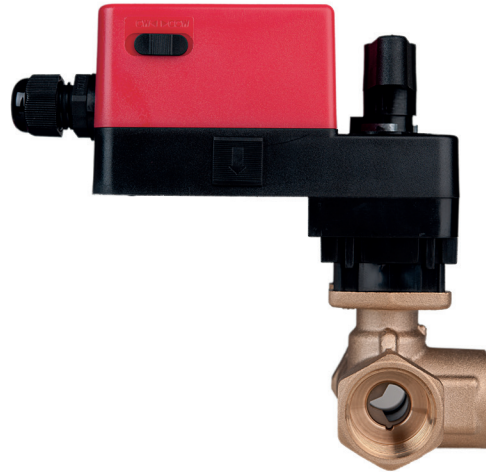
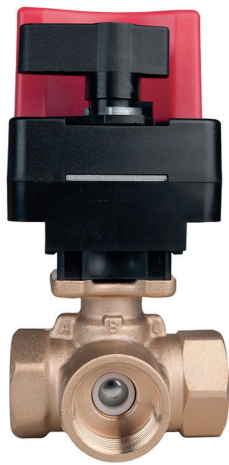
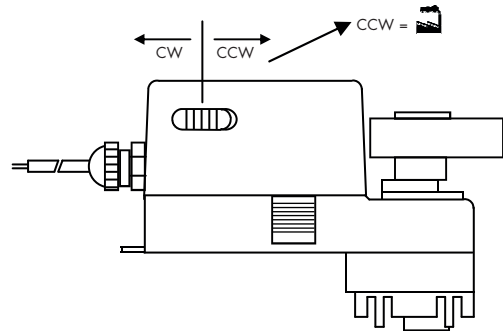


■ Changing direction of rotation NEBM24.2...

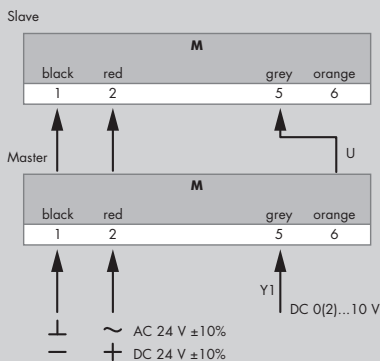
Factory-set CCW!

The direction of rotation can be changed by pushing the CW/CCW switch on the actuator's housing.

Ball valve actuators must operate CCW!



Wiring diagram NEBM24.2...
Parallel connection



■ Remark

When NEBM... actuators operate in parallel (max. 5 actuators), the output signal U = DC 0...10 V (terminal 6) of the master actuator must be connected to terminal 5 of the next slave actuator.

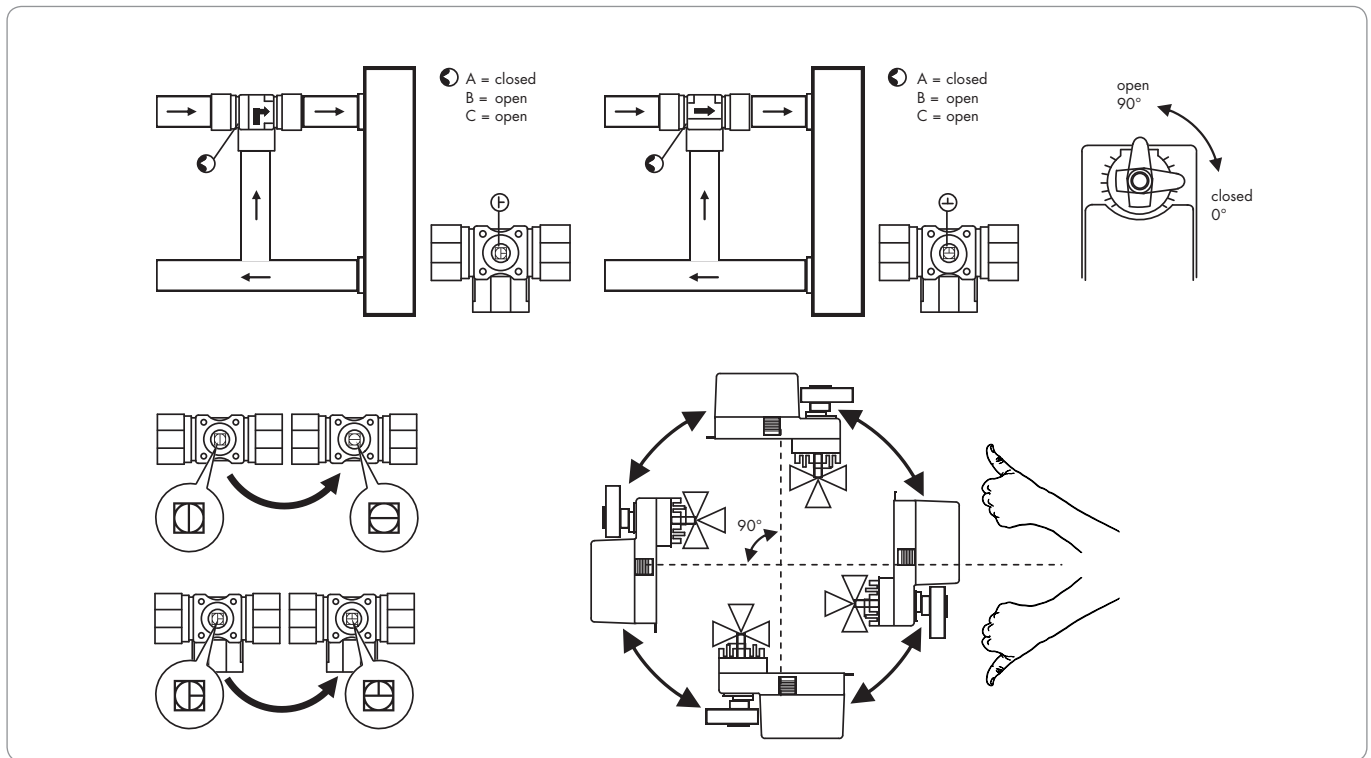
The power consumption and distance between master and slave must be observed.

For more details of installation and commissioning, please observe our mounting instruction manual M-NEBM05.




NENUTEC WATER - ROTARY VALVE ACTUATOR

STANDARD 5 Nm | MODULATING CONTROL



⚠ IMPORTANT REMARKS

This actuator includes electrical and electronic components and may not be disposed as household garbage. Please consider the local valid legislation. 

AC/DC 24 V: Connect via safety isolating transformer.

Consult NENUTEC representatives for specific requirements and material selections for your intended application. The entire content of this technical datasheet is protected by copyright with all rights reserved ©.

The performance specifications are nominal and conform to acceptable industry standards. NENUTEC shall not be liable for damages resulting from misapplication or misuse of its products.

CUSTOMISED VERSION

NENUTEC offers you actuators in customised versions, e.g. with your own brand name, with colour-coordinated applications and with your particular demand on request.

Please contact us for further information.

NENUTEC AG

Schachenstrasse 80
 CH - 8645 Jona/SG - Switzerland
 T: +41 55 224 40 60
 F: +41 55 224 40 69
 www.nenutec.com

Distributor

Distributor