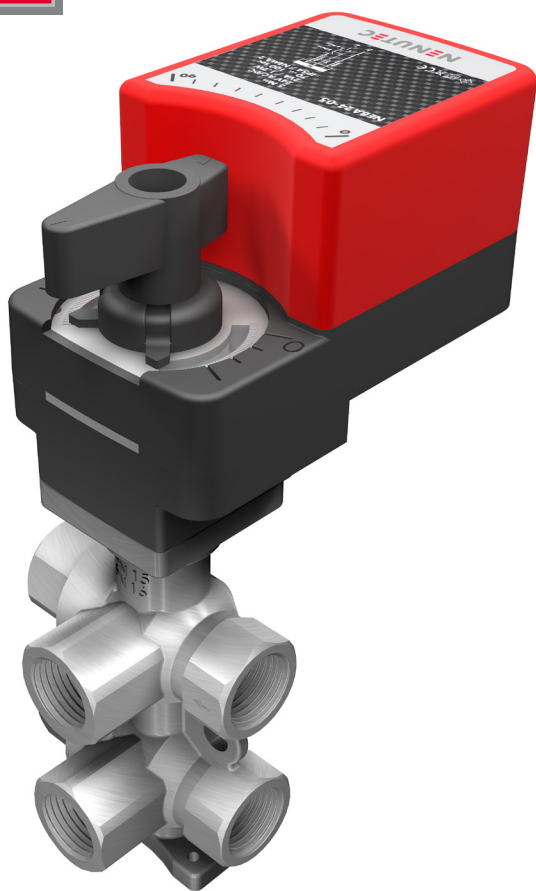




## NENUTEC WATER - NVCB 6000 SERIES

### BALL VALVES WITH CHARACTERISED DISC 6-WAY



### NVCB 6000 SERIES

NENUTEC ball valves with characterised discs are especially designed and produced for applications in the HVAC chiller and zone system.

The NVCB 6000 series 6-way ball valve is a combination valve for connecting heating and cooling 4 pipe system into a single coil.

It replaces 4 pieces of 2-way valves and actuators thus saving cost of material, installation and 2 data points. The valve body design allows a leak free separation from a heating and cooling system and prevents mixture of return flow.

#### BALL VALVE:

- NVCB Ball valve size DN 15 (1/2") to DN 50 (3/4")
- 6-way (heating/cooling with same coil connections)
- Leak free design
- Cost and energy savings

#### ACTUATOR:

- Torque 5 Nm
- Power Supply AC/DC 24 V and AC 230 V
- Control 2 / 3 point or Modulating DC 0 (2)... 10 V
- Customer version (on request)

Pictures might not correspond with technical data.

#### TECHNICAL SPECIFICATIONS

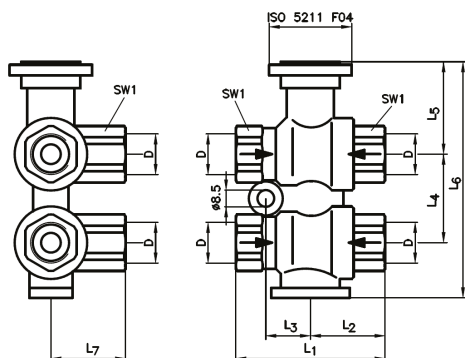
Service	Chilled, hot water, up to 50% glycol solutions
Fluid temperature limits	Min 5°C (45°F)   Max 100°C (212°F)
Maximum Δ pressure	50 PSI (3.50 bar)
Pressure rating	Max 16 bar
Thread connection	Female thread
Flow characteristic	Linear
Rangeability	> 500 : 1 (ratio between maximum and minimum from controllable water volume)
Travel	30° heating, 30° off, 30° cooling
Materials	body: forged brass   stem: brass



## NENUTEC WATER - NVCB 6000 SERIES

### BALL VALVES WITH CHARACTERISED DISC 6-WAY

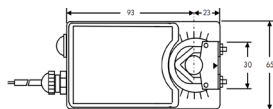
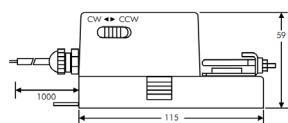
#### VALVE



#### TECHNICAL DATA

TYPE	NCVB66015	NCVB66020
DN (mm)	15	20
DN (inch)	1/2	122
Kvs no disc	1.34	2.58
Kvs disc 7	1.10	2.21
Kvs disc 6	0.95	1.90
Kvs disc 5	0.79	1.58
Kvs disc 4	0.63	1.26
Kvs disc 3	0.47	0.95
Kvs disc 2	0.32	0.63
Kvs disc 1	0.16	0.47
L1	76	100
L2	38	50
L3	20	26
L4	45	59
L5	47	54
L6	120	148
L7	35	43
SW1	26	30

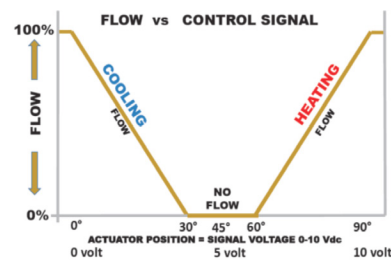
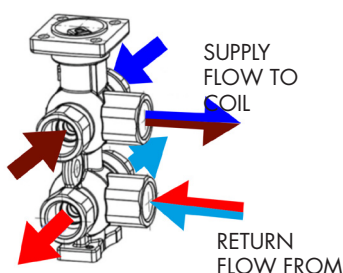
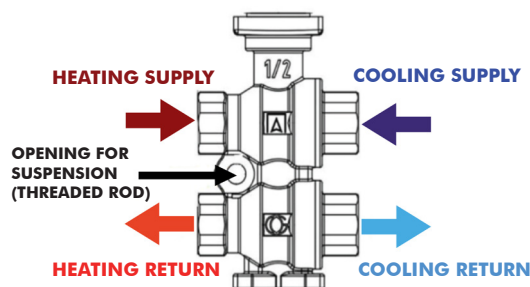
#### ACTUATOR



For more details please refer to the actuator datasheet

- NEBA24-05(S) Ballvalve actuator 5Nm, 24V 2/3point control (switch)
- NEBA230-05(S) Ballvalve actuator 5Nm, 230V 2/3point control (switch)
- NEBM24.2-05 Ballvalve actuator 5Nm, 24V modulating control
- FSBA24-05 EFS® ballvalve actuator 5Nm, 24V 2/3point control
- FSBA230-05 EFS® ballvalve actuator 5Nm, 230V 2/3point control
- FSBM24.2-05 EFS®ballvalve actuator 5Nm, 24V modulating control

#### FUNCTION SCHEMATICS



NENUTEC AG

Schachenstrasse 80  
 CH - 8645 Jona/SG - Switzerland  
 T: +41 55 224 40 60  
 info@nenutec.ch  
 www.nenutec.com

Distributor