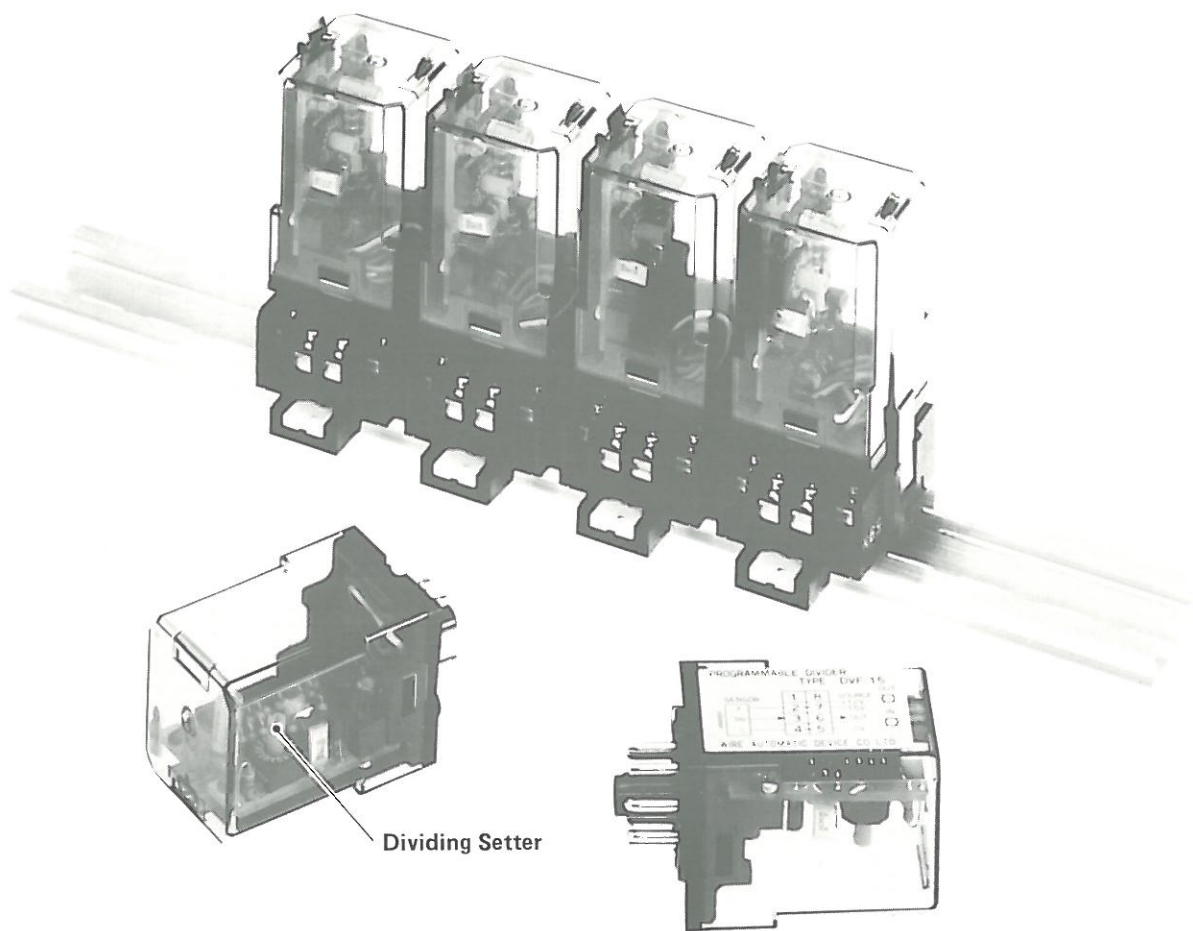


PULSE DIVIDER

MODEL DVF-15

WADECO

This device can be used to divide the input pulse sent to an electronic counter.



Introduction

Type DVF-15 Divider receives pulses from a pulse generator then outputs pulse divided in ratios 1/1 ~ 1/15 (adjustable). You may obtain the desired ratio by complying this device's division ratio with the pulse ratio obtained from the rotation of the measuring shaft. So it may be used as a reduction gear.

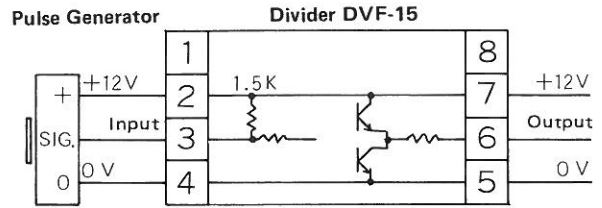
Special Features

- The presence of input or output pulses is readily seen on the indications.
- The pulse division ratio is easily adjustable.
- Compact and rail mounted type.

Specifications

Type: Divider DVF-15
 Socket TP-38X
 Power supply: DC12 ~ 15V
 Power consumption: 12mA
 Input: Non-contact pulse input.
 Input by means of "H" (high) and "L" (low) input signal voltages.
 Output: Non-contact pulse output.
 Output by means of "H" (high) and "L" (low) output signal voltages.
 Response frequency: 5 KHz
 Dividing ratio: 1/1 ~ 1/15 (adjustable)
 Ambient temperature: -10°C ~ +55°C
 Weight: Divider 40g
 Socket 50g

Connection



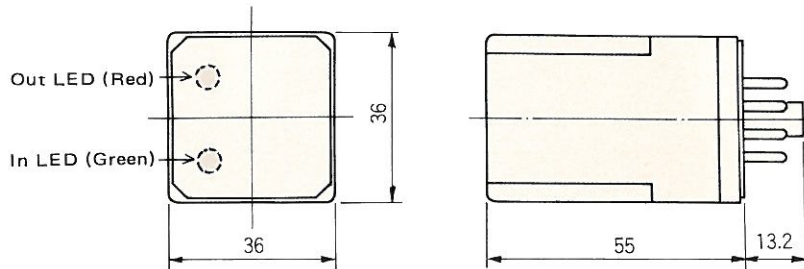
How to set ratio of Divider

With a flat head (-) screwdriver, remove transparent cover and preset the dividing ratio.

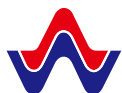
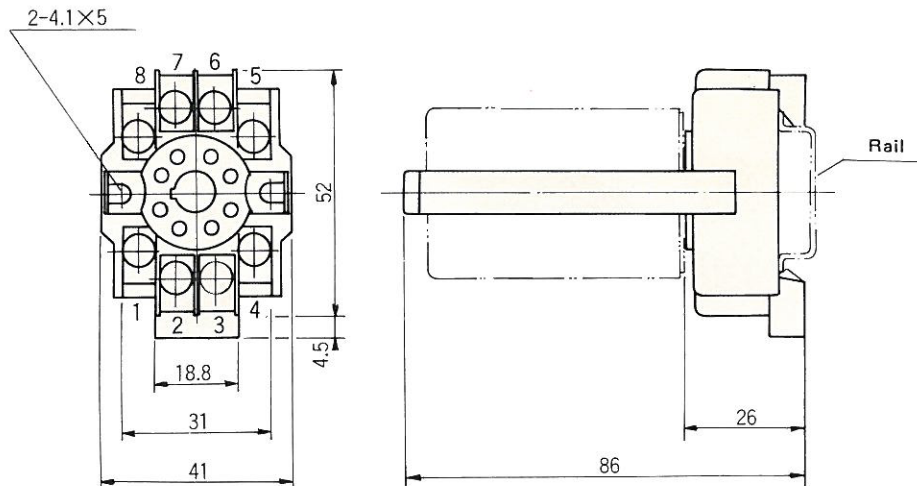
Dividing setter	1	2	3	4	5	6	7	8	9	A	B	C	D	E	F
Dividing ratio	1/1	1/2	1/3	1/4	1/5	1/6	1/7	1/8	1/9	1/10	1/11	1/12	1/13	1/14	1/15

External Dimensions

Divider
Type DVF-15



Socket
with metal fastening clips
Type TP38X



WADECO CO.,LTD.

HEAD OFFICE WADECO Bld., 1-12-9, Meishin-cho, Amagasaki-shi,
 Hyogo-ken 661-0021, Japan
 TEL.+81-6-6482-3838 FAX.+81-6-6481-6321
 TOKYO BRANCH 202 Shibuya-homes,2-1,Udagawa-cho,Shibuya-ku,Tokyo
 150-0042,Japan
 TEL.+81-3-3770-5519 FAX.+81-3-3770-5520
 URL : <http://www.wadeco.co.jp>

This specification may be changed without notice.