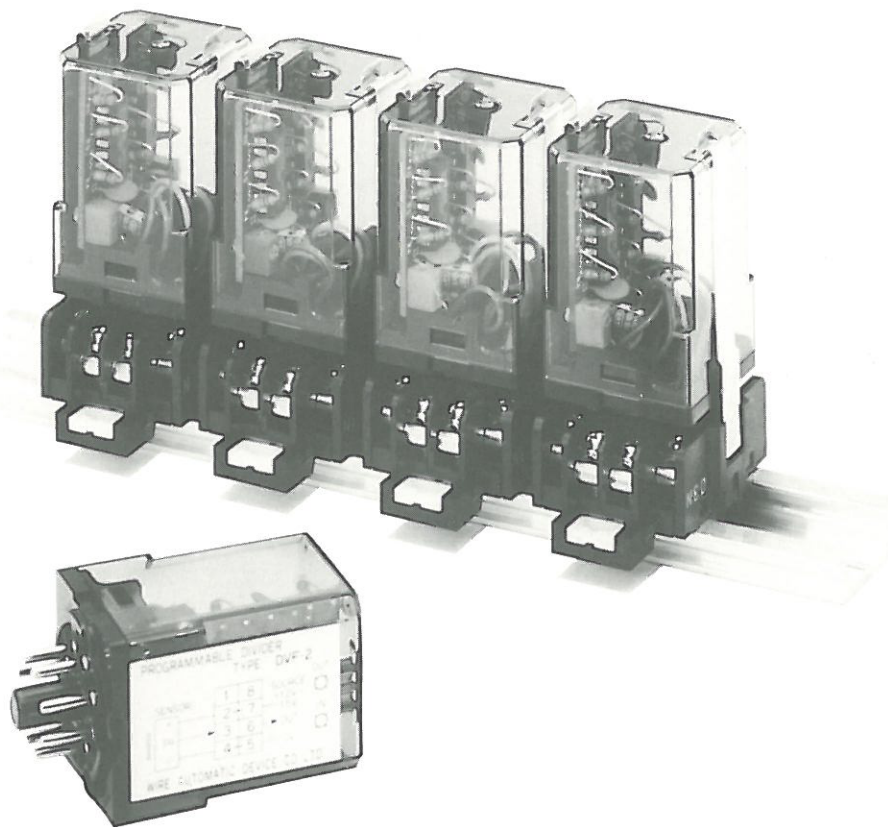


PULSE EQUALIZER

MODEL **DVF-2**

WADECO

This device divides the number on any stream of input pulses in two and outputs pulses with equal periods of ON and OFF.



Introduction

The DVF-2 Pulse Equalizer receives pulses from a pulse generator and then outputs half the number of pulses with equal periods of ON and OFF.

Therefore this can be used when the ON or OFF period of the pulse is not sufficiently long enough to drive a counter.

Input pulses 

Output pulses 

Special Features

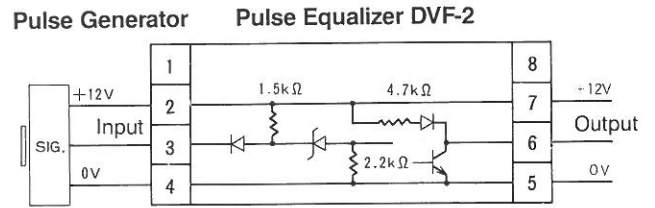
- The presence of input or output pulses is readily seen on the indications.
- Compact and rail mounted type.

PULSE EQUALIZER

Specifications

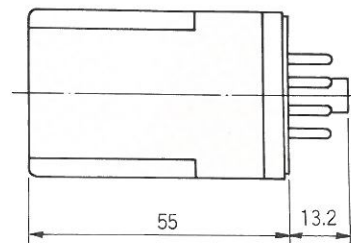
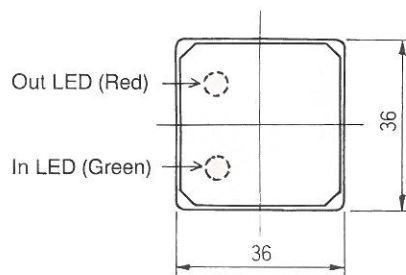
Type: Pulse Equalizer DVF-2
 Socket TP-38X
 Power supply: DC12 ~ 15V
 Power consumption: 12mA
 Input: Non-contact pulse input.
 Input by means of "H" (high) and "L" (low) input signal voltages.
 Output: Non-contact pulse output.
 Output by means of "H" (high) and "L" (low) output signal voltages.
 Response frequency: 5kHz
 Dividing ratio: 1/2 (fixed)
 Ambient temperature: -10°C ~ +50°C
 Weight: Pulse Equalizer 40g
 Socket 50g

Connection

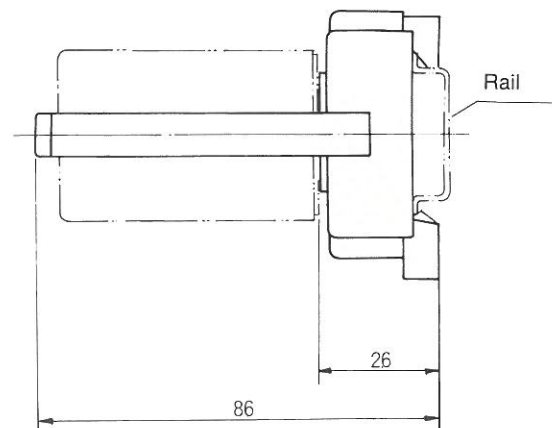
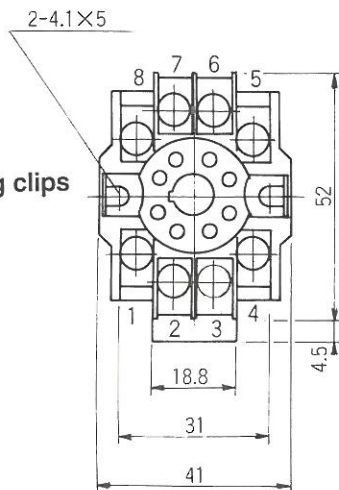


External Dimensions

**Pulse Equalizer
Type DVF-2**



**Socket with metal fastening clips
Type TP38X**



HEAD OFFICE WADECO Bld., 1-12-9, Meishin-cho, Amagasaki-shi,
 Hyogo-ken 661-0021, Japan
 TEL.+81-6-6482-3838 FAX.+81-6-6481-6321
 TOKYO BRANCH 202 Shibuya-homes,2-1,Udagawa-cho,Shibuya-ku,Tokyo
 150-0042,Japan
 TEL.+81-3-3770-5519 FAX.+81-3-3770-5520
 URL : <http://www.wadeco.co.jp>

This specification may be changed without notification.