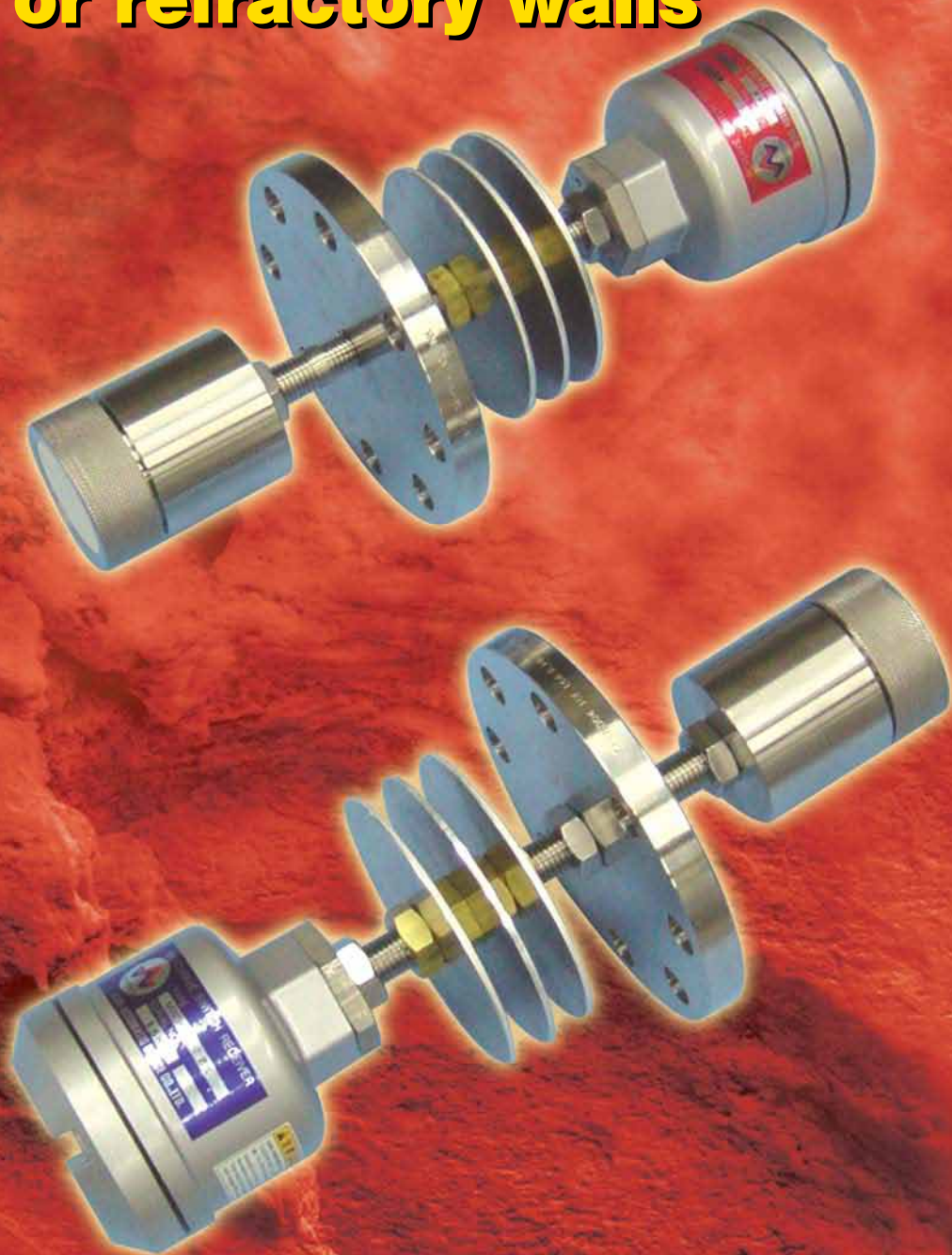




# OPTIONAL HARDWARE EK TYPE SUPER HEAVY DUTY

**Excellent penetration of  
ash or refractory walls**



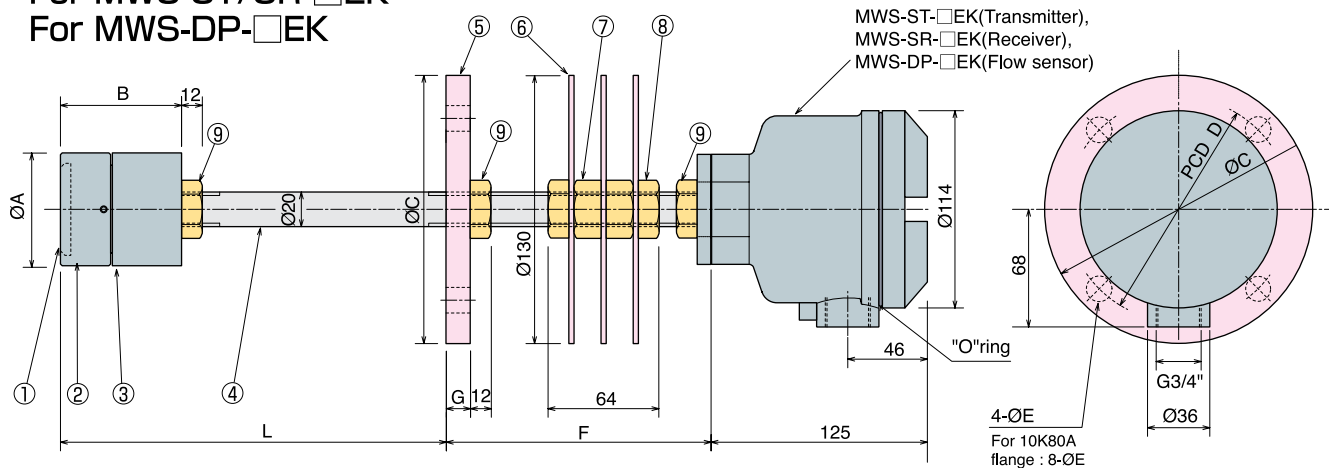
**WADECO CO.,LTD.**

## Specifications

Operating distance	Antenna size Ø50 : 40m, Ø65 : 90m, Ø75 : 180m
Operating ambient temperature for antenna	Ceramic : -50°C ~ +600°C Teflon : -20°C ~ +150°C
Operating ambient temperature for transmitter or receiver	-10°C ~ +55°C

## Dimensions

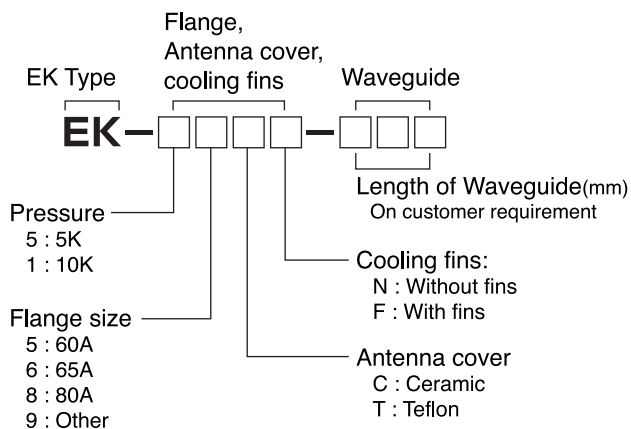
For MWS-ST-□EK  
For MWS-DP-□EK



Dimensions(mm)

Flange	A	B	C	D	E	F	G	L
5K50A	50	45	130	105	15	Without cooling fins: 55	14	On customer requirement
5K65A	65	70	155	130	15		14	
5K80A	75	95	180	145	19		14	
10K50A	50	45	155	120	19	With cooling fins: 145	16	
10K65A	65	70	175	140	19		18	
10K80A	75	95	185	150	19		18	

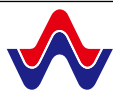
## Type



## Material

No.	Discription	Material
1	Antenna cover	Ceramic or Teflon
2	Antenna cap	SUS304
3	Antenna	SUS304
4	Waveguide	SUS304
5	Flange	SUS304
6	Cooling fins	Al 3t
7	Nut	M20(BsBm) t=15.5
8	Nut	M20(BsBm) t=12
9	Nut	M20(SUS304) t=12

This specification may be changed without notification.



# WADECO CO., LTD.

HEAD OFFICE WADECO Bld., 1-12-9, Meishin-cho, Amagasaki-shi,  
Hyogo-ken 661-0021, Japan  
TEL.+81-6-6482-3838 FAX.+81-6-6481-6321

TOKYO BRANCH 202 Shibuya-homes,2-1, Udagawa-cho, Shibuya-ku, Tokyo  
150-0042, Japan  
TEL.+81-3-3770-5519 FAX.+81-3-3770-5520

URL : <http://www.wadeco.co.jp>