



# Electric Motors Inverter Duty



# Inverter Duty



SPECIFICHE TECNICHE (50HZ) 4 POLI  
 TECHNICAL SPECIFICATION (50HZ) 4 POLE



Type	output	Current	Rated Torque	Break-down torque /rated torque multiple	Rated speed	weight kg	
	KW					A	Nm
Y <sub>2</sub> -VP90S-4	1.1	2.80	7.53	2.8	1395	24.0	22.0
Y <sub>2</sub> -VP90L-4	1.5	3.70	10.1	2.8	1412	29.0	28.0
Y <sub>2</sub> -VP100L <sub>1</sub> -4	2.2	5.08	14.7	2.8	1431	36.0	34.0
Y <sub>2</sub> -VP100L <sub>2</sub> -4	3	6.86	20.0	2.8	1431	40.0	38.0
Y <sub>2</sub> -VP112M-4	4	8.48	26.5	2.8	1438	48.0	44.0
Y <sub>2</sub> -VP132S-4	5.5	11.7	36.3	2.8	1445	70.0	61.0
Y <sub>2</sub> -VP132M-4	7.5	15.1	49.5	2.8	1445	82.0	73.0
Y <sub>2</sub> -VP160M-4	11	22.0	72.4	2.8	1451	125	113
Y <sub>2</sub> -VP160L-4	15	29.5	98.5	2.8	1452	145	133
Y <sub>2</sub> -VP180M-4	18.5	35.0	120	2.8	1465	187	167
Y <sub>2</sub> -VP180L-4	22	42.0	143	2.8	1464	201	181
Y <sub>2</sub> -VP200L-4	30	56.6	195	2.8	1468	257	232
Y <sub>2</sub> -VP225S-4	37	70.6	240	2.8	1472	317	287
Y <sub>2</sub> -VP225M-4	45	84.9	290	2.8	1477	352	322
Y <sub>2</sub> -VP250M-4	55	102	355	2.8	1477	411	381
Y <sub>2</sub> -VP280S-4	75	137	483	2.8	1481	545	510
Y <sub>2</sub> -VP280M-4	90	163	580	2.8	1481	635	600
Y <sub>2</sub> -VP315S-4	110	204	707	2.8	1485	961	921
Y <sub>2</sub> -VP315M-4	132	237	848	2.8	1485	1042	1002
Y <sub>2</sub> -VP315L <sub>1</sub> -4	160	282	1028	2.8	1486	1110	1070
Y <sub>2</sub> -VP315L <sub>2</sub> -4	200	360	1281	2.8	1491	1221	1181
Y <sub>2</sub> -VP355M-4	250	444	1600	2.8	1492	1765	1720
Y <sub>2</sub> -VP355L-4	315	558	2015	2.8	1493	1995	1950

SPECIFICHE TECNICHE (50HZ) 6 POLI  
 TECHNICAL SPECIFICATION (50HZ) 6 POLE

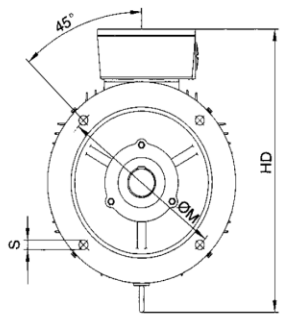
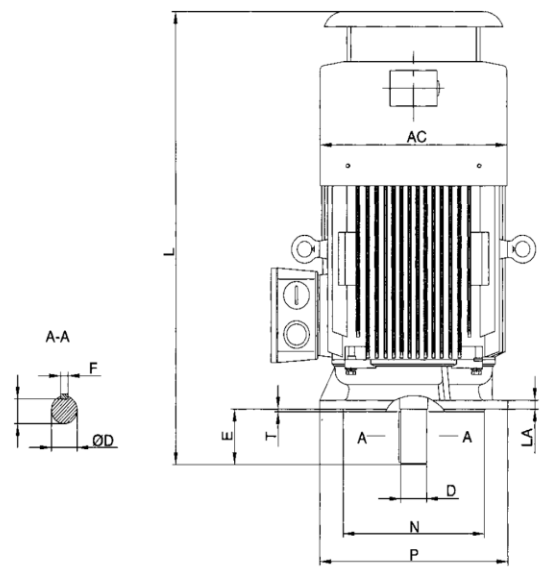


Type	output	Current	Rated Torque	Break-down torque /rated torque multiple	Rated speed	weight kg	
	KW					A	Nm
Y <sub>2</sub> -VP90S-6	0.75	2.29	7.76	2.8	922	25.0	23.0
Y <sub>2</sub> -VP90L-6	1.1	3.15	11.4	2.8	918	29.0	25.0
Y <sub>2</sub> -VP100L-6	1.5	3.96	15.3	2.8	933	36.0	33.0
Y <sub>2</sub> -VP112M-6	2.2	5.27	22.2	2.8	946	43.0	39.0
Y <sub>2</sub> -VP132S-6	3	7.36	29.6	2.8	965	64.0	56.0
Y <sub>2</sub> -VP132M <sub>1</sub> -6	4	9.52	39.5	2.8	965	79.0	71.0
Y <sub>2</sub> -VP132M <sub>2</sub> -6	5.5	12.5	54.3	2.8	967	83.0	75.0
Y <sub>2</sub> -VP160M-6	7.5	16.8	74.0	2.8	968	120	108
Y <sub>2</sub> -VP160L-6	11	23.0	108	2.8	966	143	131
Y <sub>2</sub> -VP180L-6	15	30.8	146	2.8	976	191	171
Y <sub>2</sub> -VP200L <sub>1</sub> -6	18.5	37.3	180	2.8	978	246	216
Y <sub>2</sub> -VP200L <sub>2</sub> -6	22	43.9	215	2.8	976	255	225
Y <sub>2</sub> -VP225M-6	30	58.9	291	2.8	984	322	292
Y <sub>2</sub> -VP250M-6	37	69.3	360	2.8	981	438	408
Y <sub>2</sub> -VP280S-6	45	84.2	436	2.8	985	500	465
Y <sub>2</sub> -VP280M-6	55	102	535	2.8	983	575	540
Y <sub>2</sub> -VP315S-6	75	143	723	2.8	990	901	861
Y <sub>2</sub> -VP315M-6	90	173	870	2.8	988	980	940
Y <sub>2</sub> -VP315L <sub>1</sub> -6	110	206	1063	2.8	988	1150	1110
Y <sub>2</sub> -VP315L <sub>2</sub> -6	132	243	1275	2.8	989	1215	1175
Y <sub>2</sub> -VP355M <sub>1</sub> -6	160	283	1540	2.8	992	1735	1690
Y <sub>2</sub> -VP355M <sub>2</sub> -6	200	353	1925	2.8	992	1915	1870
Y <sub>2</sub> -VP355L-6	250	445.4	2409	2.8	991	2025	1980

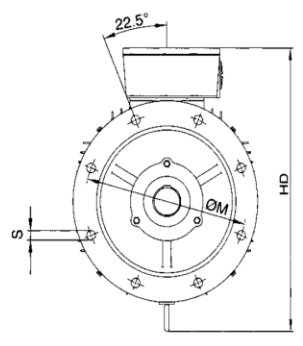
SPECIFICHE TECNICHE (50HZ) 8 POLI  
 TECHNICAL SPECIFICATION (50HZ) 8 POLE



Type	output	Current A	Rated Torque Nm	Break-down torque /rated torque multiple	Rated speed r/min	weight kg	
	KW					IC416	IC411
Y <sub>2</sub> -VP132S-8	2.2	5.92	29.3	2.8	715	70.0	62.0
Y <sub>2</sub> -VP132M-8	3	7.56	40.1	2.8	713	74.0	66.0
Y <sub>2</sub> -VP160M <sub>1</sub> -8	4	9.71	53.2	2.8	718	106	94.0
Y <sub>2</sub> -VP160M <sub>2</sub> -8	5.5	13.3	72.7	2.8	722	118	106
Y <sub>2</sub> -VP160L-8	7.5	17.0	99.3	2.8	721	140	128
Y <sub>2</sub> -VP180L-8	11	24.9	144	2.8	725	190	170
Y <sub>2</sub> -VP200L-8	15	33.8	196	2.8	731	255	230
Y <sub>2</sub> -VP225S-8	18.5	40.8	241	2.8	733	297	272
Y <sub>2</sub> -VP255M-8	22	46.1	286	2.8	734	319	294
Y <sub>2</sub> -VP250M-8	30	62.2	390	2.8	734	395	370
Y <sub>2</sub> -VP280S-8	37	75.6	480	2.8	736	510	475
Y <sub>2</sub> -VP280M-8	45	93.3	583	2.8	737	590	555
Y <sub>2</sub> -VP315S-8	55	112	710	2.8	740	945	905
Y <sub>2</sub> -VP315M-8	75	150	968	2.8	740	1021	981
Y <sub>2</sub> -VP315L <sub>1</sub> -8	90	179	1160	2.8	741	1141	1071
Y <sub>2</sub> -VP315L <sub>2</sub> -8	110	217	1415	2.8	742	1200	1160
Y <sub>2</sub> -VP355M <sub>1</sub> -8	132	252	1694	2.8	744	1845	1800
Y <sub>2</sub> -VP355M <sub>2</sub> -8	160	298	2053	2.8	744	1935	1890
Y <sub>2</sub> -VP355L-8	200	379	2567	2.8	744	2085	2040



90-200



225-355

◆ V1

Frame size	Mounting dimensions (mm)											Overall dimensions (mm)		
	D	E	F	G	H	K	M	N	P	S	T	AC	HD	L
90S	24	50	8	20	90	10	165	130	200	4-Ø12	4	175	255	415
90L	24	50	8	20	90	10	165	130	200	4-Ø12	4	175	255	445
100L	28	60	8	24	100	12	215	180	250	4-Ø15	4	200	290	485
112M	28	60	8	24	112	12	215	180	250	4-Ø15	4	225	310	510
132S	38	80	10	33	132	12	265	230	300	4-Ø15	4	260	365	565
132M	38	80	10	33	132	12	265	230	300	4-Ø15	4	260	365	605
160M	42	110	12	37	160	15	300	250	350	4-Ø19	5	315	425	710
160L	42	110	12	37	160	15	300	250	350	4-Ø19	5	315	425	760
180M	48	110	14	42.5	180	15	300	250	350	4-Ø19	5	360	450	750
180L	48	110	14	42.5	180	15	300	250	350	4-Ø19	5	360	450	780
200L	55	110	16	49	200	19	350	300	400	4-Ø19	5	400	505	920
225S	60	140	18	53	225	19	400	350	450	8-Ø19	5	450	550	995
225M	60	140	18	53	225	19	500	450	450	8-Ø19	5	450	550	1030
250M	65	140	18	58	250	24	500	450	550	8-Ø19	5	490	645	1085
280S	75	140	20	67.5	280	24	500	450	550	8-Ø19	5	550	665	1185
280M	75	140	20	67.5	280	24	500	450	550	8-Ø19	5	550	665	1235
315S	80	170	22	71	315	28	600	550	660	8-Ø24	6	625	985	1470
315M/L	80	170	22	71	315	28	600	550	660	8-Ø24	6	625	985	1550
355M	95	170	25	86	355	28	740	680	800	8-Ø24	6	710	1145	1740
355L	95	170	25	86	355	28	740	680	800	8-Ø24	6	710	1145	1740