

## Electronic Flow Sensors FS602

### Applications

FS602 series electronic flow sensors adopt advanced temperature difference technology to measure flow rate of medium. On the basis of temperature difference technology, FS602 series convert the flow rate to electrical signal which is identified and transmitted by the internal processor. The products are used in upper monitor so as to monitor the state of system pipes. FS602 series are applied in gas and liquid measurement, cutting oil, cooling fluid, lubrication fluid and circulating water with high accuracy.

### Characteristics

Stainless steel housing,  
additional flow rate indicator

Alarm knob for easy debugging

Optional output, IP67



Standard threaded for pipe connection

Short-circuit, reverse polarity and  
overload protection

M12 connector for easy connection

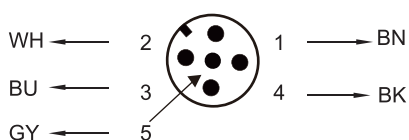
### Electrical characteristics

Voltage supply	$V_s = 20\sim 30\text{ V DC} / V_s = 85\sim 265\text{ V AC}$
Output signal	NPN NO/NC current consumption: <60 mA PNP NO/NC current consumption: <60 mA Relay NO/NC current consumption <60 mA
Load current	NPN output Max. 300 mA PNP output Max. 300 mA Relay output Max. 5 A(220V AC / 30V DC)
Voltage drop	< 2.5V (NPN / PNP output)
Switch accuracy	$\pm 1\sim \pm 10\text{ cm/s}$
Start delay	Preheating-3 min
Response time	1 ~ 10 s typ. 2 s
Medium temperature drift	Max. 300 K / min

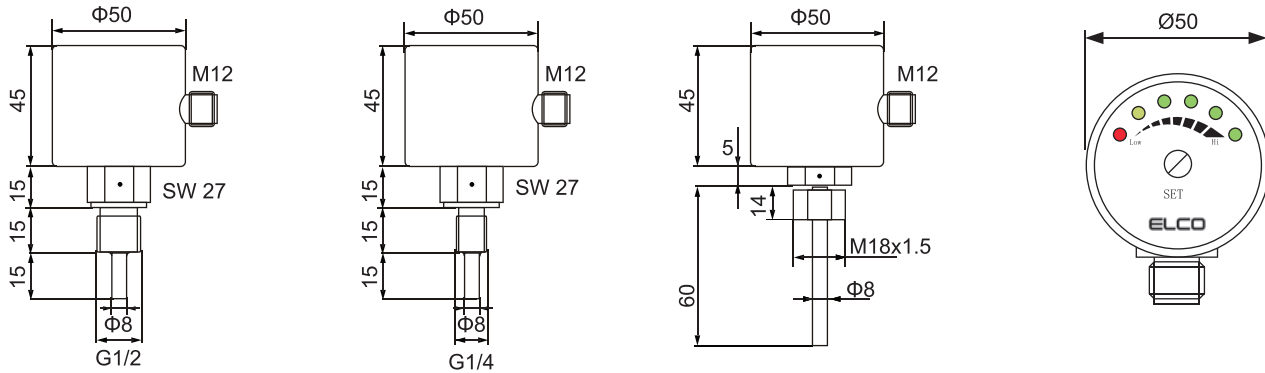
### Sensor characteristics

Port	Stainless steel ( ANSI 316L )
Housing	Stainless steel ( ANSI 316L )
Probe length	Standard: 15mm optional: 20mm, 30mm, 40mm, 45mm
Display	3-color LED
Shock	50g
Vibration	20g
Electrical connection	M12 connector
Compressive strength	100bar
Ambient temperature	-20~80°C
Medium temperature	-20~80°C
Measuring range	Water: 3~300 cm/s Oil: 3~300 cm/s Gas: 200~3000 cm/s
Weight	Approx. 460 g

### Electrical connection



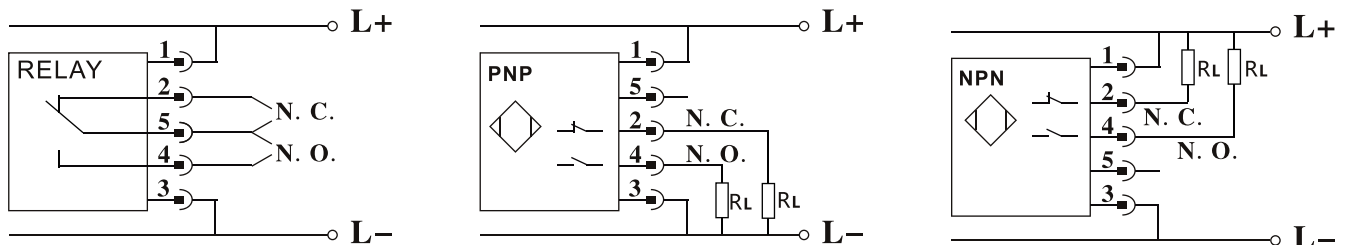
## Electronic Flow Sensors FS602



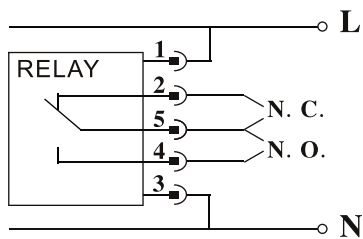
Attn: 1. 85~265V AC: length increases by 15mm  
 2. The probe length varies from types

### Wiring diagram

#### 24VDC

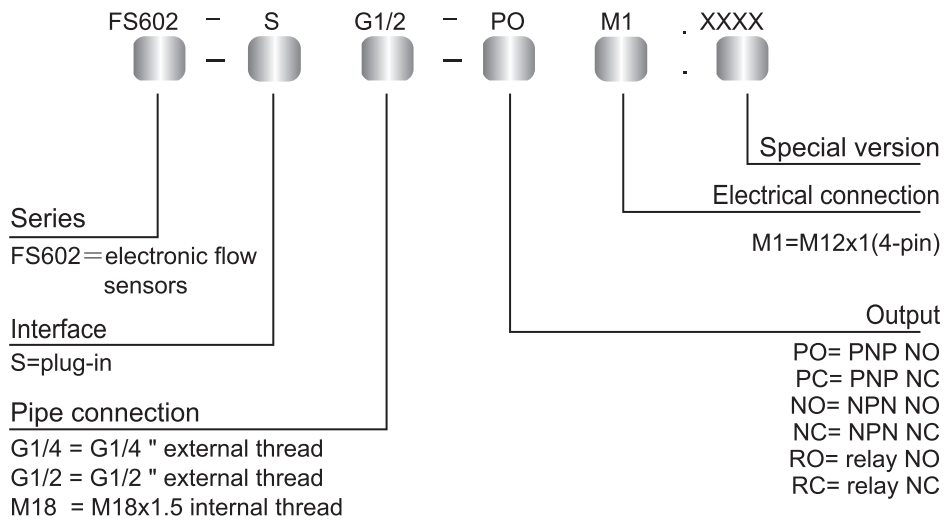


#### 85-265VAC



## Electronic Flow Sensors FS602

### Order code



⚠ Please read the following notice carefully before you selecting the model.

- Attn:
1. Added "AC" after M1 for AC
  2. RO/RC optional output for AC  
 ordering example: FS602-SG1/2-ROM1-AC  
 This is for AC relay NO output.
  3. Please contact us in advance if you have other requirements.