



Features:

- Optional single/double-channel input
- LED indication for state of operation, channel 1 and channel 2
- Optional automatic/manual restart
- Cross fault monitoring
- External circuit monitoring
- Dimension: 22.5*99*114.5mm
- Applicable for monitoring of safety curtain, emergency stop button, safety door, etc.

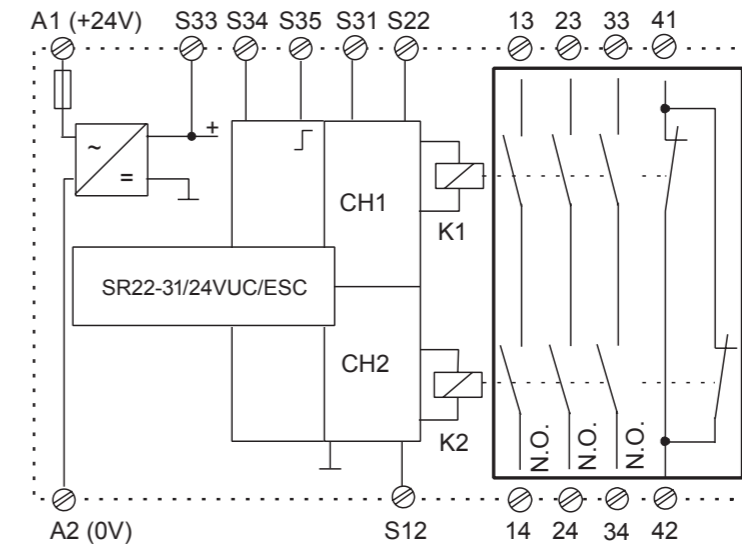
Order Code:

Type	Description	Supply voltage	Input channel	Safety output	Auxiliary output
SR22-31/24VUC/ESC	Emergency Stop Module	24VDC/AC	2	3	1

Technical Data:

Category acc. to EN ISO 13849 and EN 954-1	4	Release time (rated voltage)	≤ 20ms(double-channel)
Performance Level (PL) in accordance with	PL e	Control voltage/current on	
Operating voltage UB	24VAC/DC ± 20%	S12, S22 and S31	24V DC / 40 mA
B10 _d	DC 13: 10.0 million switching cycles	Max. input current	100mA
	AC 15: 1.4 million switching cycles	Admissible input line resistance	< 30 W
Stop category	Stop 0 acc. to IEC 60204-1	Operating temperature	0° C to +55° C
Average probability of a failure to danger per hour (PFHd)	2.0 × 10 ⁻⁸	Storage temperature	-25° C to +70° C
Power consumption	3W	Over voltage category	III for rated operating voltage 300 V AC in accordance with VDE 0110 part 1
External safeguarding for supply circuit	200 mA delay-action	Vibration	10Hz-55Hz 1.5mm double vibration
Output contacts	3 NO+1NC	Dirt level	2
Switching capacity of the contacts acc. to	AC-15: 230V / 5A 1.6 x 105 switching cycles	Interference rejection	EN 61496-1: 2005 type 4
EN 60947-5-1	DC-13: 24V / 3A 1.3 x 105 switching cycles	Protection rating	Housing IP 40, terminals IP 20
Max. continuous current per current path	3 250VAC/24VDCA	Connection cross-sections	1 x 0.2 to 2.5 mm ² , fine-wired or
Ext. contact fuse protection per current path	5 A quick-action or 3.15 A delay-action		1 x 0.25 to 2.5 mm ² , fine-wired with wire-end sleeves
Max. switching frequency	3600 switching cycles/h		2 x 0.5 to 1.5 mm ² , fine-wired with Twin wire-end sleeves
Mechanical life time	10 million switching cycles		1 x 0.2 to 2.5 mm ² , single-wired or
Pickup delay – manual start	30ms		2 x 0.25 to 1.0 mm ² , fine-wired with wire-end sleeves
Pickup delay (auto. start)	300ms		2 x 0.2 to 1.5 mm ² , fine-wired
Regression delay, response time	10ms		2 x 0.2 to 1.0 mm ² , single-wired
Actuation time (rated voltage)	≤ 45ms(double-channel)	Weight	170g

Electrical Diagram:



Mechanical Diagram:

