



Euro Encoder ED 35

Optical incremental encoder, small and efficient

Resolution

Every resolution from (Pulses/Revolution):
1 - 512

Type explanation

ED 35-2-0500-30-P-RC07

Encoder type	Incremental
Flange diameter	ø 35 mm
Case diameter	ø 35 mm
Number of channels	2 = A + B 4 = AA + BB
Resolutions	xxxx = Impulse pro Umdrehung
Supply voltage	05 = 5 VDC ± 5% 30 = 10 ... 30 VDC
Output driver	D-RS422 P
Position of connection	R
Connector	C07 = 7 pins Binder
Shaft diameter	ø 6 mm

Technical data

Mechanical data

Rotational speed	? 12000 min ⁻¹
Torque	? 1 Ncm
Moment of inertia	10 g cm ²
shaft loading	? 20 N radial ? 10 N axial
Angular acceleration	? 10 ⁵ rad/sec ²
Weight	? 0,1 kg

Environmental conditions

Vibration	100 ms ⁻² (20 .. 2000 Hz)
Shock	1000 ms ⁻² (11 ms)
Operating temperature	0 ... +80°C
Storage temperature	-30 ... +80°C
Atmospheric humidity	? 85% r.h.
Protection class	IP 54 IP 65 (optional)

Electrical data

Scanning type	Optical, without contact
Transmitter, infrared	LED
Receiver	Photo-Transistor
Supply voltage	Vcc = 5 VDC ±5% Vcc = 10 ... 30 VDC
Power consumption	80 mA typ.
Output frequency	? 300 kHz (Output D) ? 160 kHz (Output P)
Signal level	High > Vcc -2 V Low < 0,5 V (20 mA)
Load capacity of the outputs	20 mA

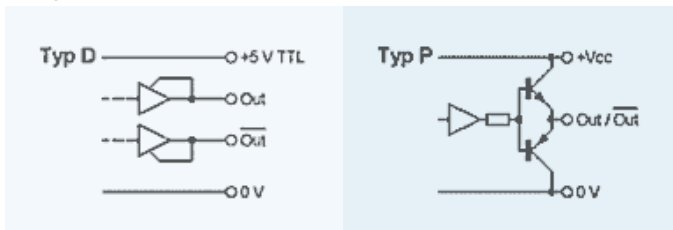
Cable 2 channels

Wire colour	Signal
Brown	+Vcc
Grey	0 V GND
Green	Signal A
White	Signal B
Shield	N.C.

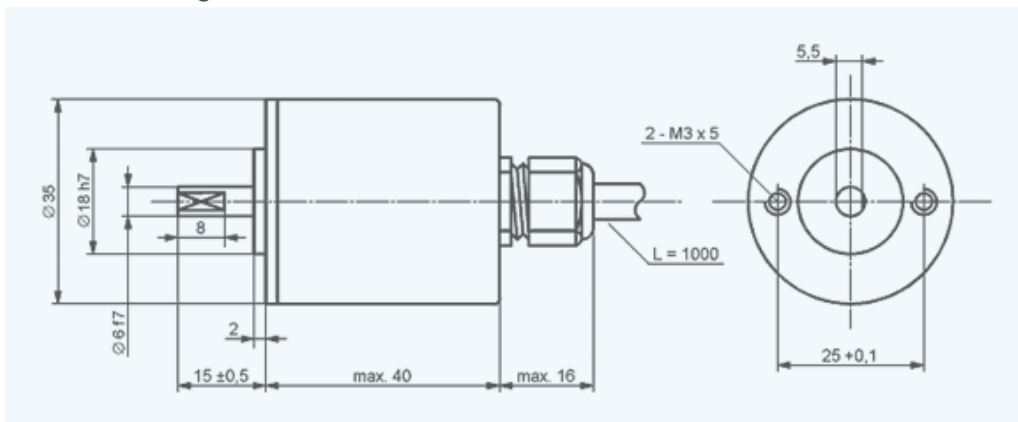
Cable 4 channels

Wire colour	Signal
Brown/Green	+Vcc
White/Green	0 V GND
Brown	Signal A+
Green	Signal A-
Grey	Signal B+
Pink	Signal B-
Shield	N.C.

Output driver



Outline drawing



Version E 505A-911 · Subject to change

INDUcoder® · INDUcoder Messtechnik GmbH, Kaiserstraße 316, 47178 Duisburg, Deutschland
Tel: (0203) 57047-0, Fax: (0203) 57047-20, E-Mail: info@inducoder.de, Internet:
www.inducoder.de