

SPEED X PRECISION

Magnescale

SPEED X PRECISION



Feedback Scale

Magnescale Co., Ltd.

International Sales Department	3-1-4 Edagawa, Koto-ku, Tokyo 135-0051, Japan	TEL.+81(0)3-6632-7924	FAX.+81(0)3-6632-7928	E-mail : info-mgs-eng@magnescale.com
Magnescale Americas Inc.	1 Technology Drive, Suite F217, Irvine, CA 92618, USA	TEL.+1(949)727-4017	FAX.+1(949)727-4047	E-mail : info-am@magnescale.com
Magnescale Europe GmbH	Antoniusstrasse 14, 73249 Wernau, Germany	TEL.+49(0)7153-934-291	FAX.+49(0)7153-934-299	E-mail : info-eu@magnescale.com
Service & Parts	45 Suzukawa, Isehara-shi, Kanagawa 259-1146, Japan	TEL.+81(0)463-92-2132	FAX.+81(0)463-92-3090	E-mail : info-css@magnescale.com

<http://www.magnescale.com>

The contents of this literature are as of Jun 2018. Magnescale reserves the right to change product specifications without prior notice.
This catalog is printed with soy ink.
MGS-FB-1806-EN-C

Magnescale Co., Ltd.

Blessing of the Earth



Absolute Magnescale

A compass using geomagnetism will guide you across the sea even during conditions of zero visibility in dense fog or in a storm with giant waves. Similarly, Magnescale uses magnetic technology to provide precise positioning even in severely harsh environments such as oil, coolant, and condensation in machine tools. Magnescale is jam-packed with state-of-the-art technologies, from precise magnetic recording and detection technology to advanced arithmetic processing technology and beyond. And, it's these cutting-edge technologies that are supporting the next generation of global manufacturing.

Beyond to **N**ext **S**tage

Advanced technology supports the evolution of high precision and resistance to harsh environments. Magnescale continues its endless evolution to develop scales with the high precision and durability demanded by machine tool applications.

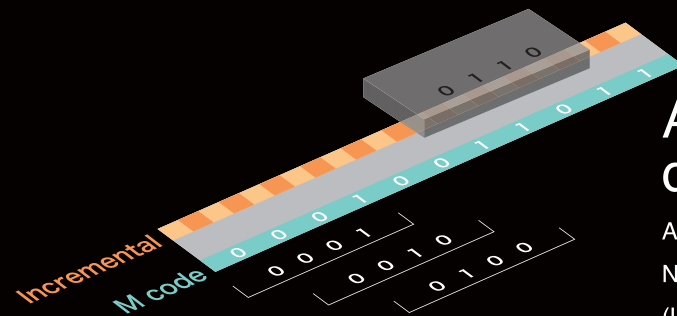
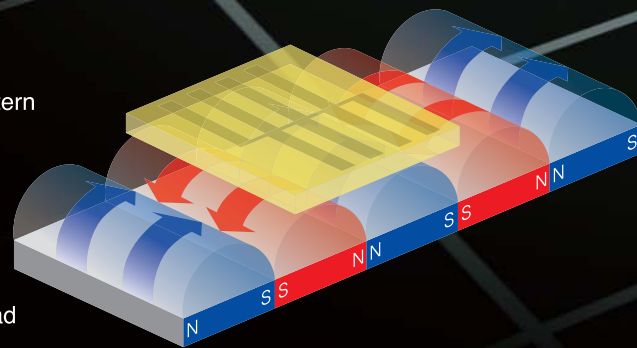
Born from advanced magnetic technology, Magnescale scales utilize a magnetic based operating principle which makes them resistant to oil and condensation inherent to machine tools, thus enabling consistently stable and precise position detection.

Principle

Detection principle

A thin-film MR element with a high-precision, low-distortion pattern arrangement is used as the detecting element.

The resistance value of the MR element changes when the magnetic field acting on the element changes due to an alteration in the relative positions between the element and the magnetic media. This change in resistance value is read electronically to detect the amount of positional change.

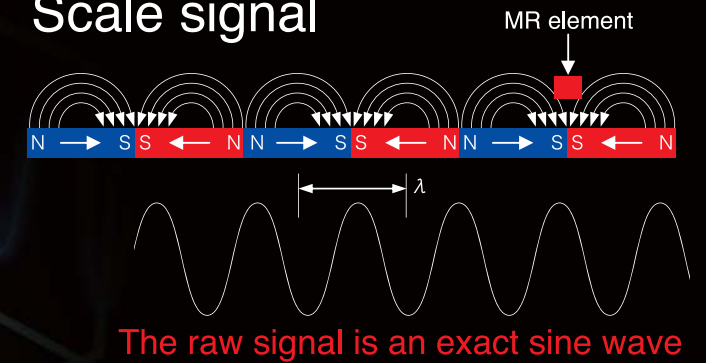


Absolute position detection system

Adopts the 2-track M-code system.
Number of M-code bits: Up to 18 bits
(Left figure: Example of 4-bit codes)

Stability

Scale signal

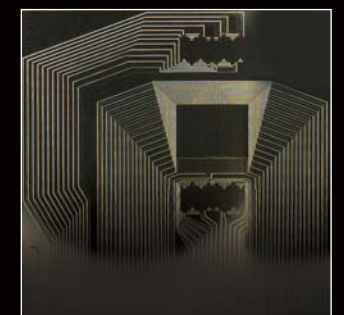


MR element

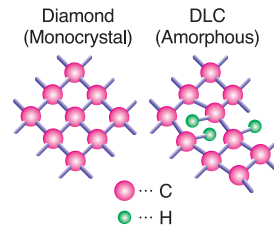
The MR element uses a special pattern to enable stable signal detection with high precision.

The patented detecting head pattern incorporates various technologies that help to achieve a high-precision signal, such as the following:

- 1) Harmonic distortion components are removed from the detected signal.
- 2) Stable signal output can be obtained over the entire effective length.
- 3) Stable signal output can be obtained with respect to temperature variation.



Resistance to Harsh Environments

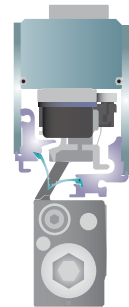


Protective structure

A diamond-like carbon (DLC) film is formed on the surface of the detecting head (the surface facing the magnetic scale) as a protective film. The detecting head is securely protected against both mechanical and environmental factors by multiple layers of protective film, which includes the DLC film (the world's first patent pending protective DLC film to be used on a MR element surface).

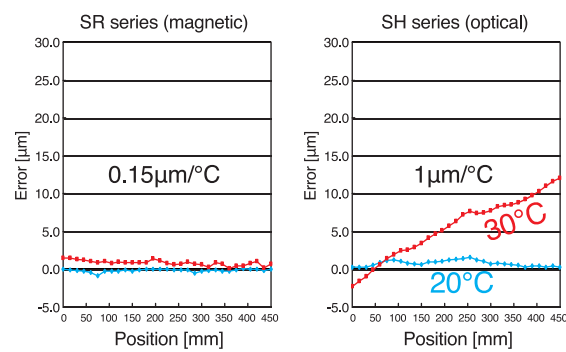
**Impact resistance of 450 m/s²,
vibration resistance of 250 m/s²**

Magnescale primarily uses ferrous materials to protect the detector, thereby realizing high vibration and impact resistance characteristics. Furthermore, the SR67A series employs multi-point connection construction and a highly rigid case to achieve top class vibration and impact resistance.



Thermal expansion

Magnescales' have the same linear expansion coefficient as that of cast iron used for the structure of general machine tools. Therefore, the scales exhibit the same thermal behavior as the equipment in which they are installed. This is evident in maintaining extremely stable positioning even in environments where the temperature is constantly changing. Due to the design structure of the SR series scales, they can be installed in close contact with the equipment while still achieving high positioning accuracy despite large temperature fluctuations.



Resistance to condensation and oil

Magnescale employs a magnetic detection principle that is resistant to the effects of condensation and oil inherent to machine tools. This principle allows for the achievement of high positioning accuracy even in severe environments.

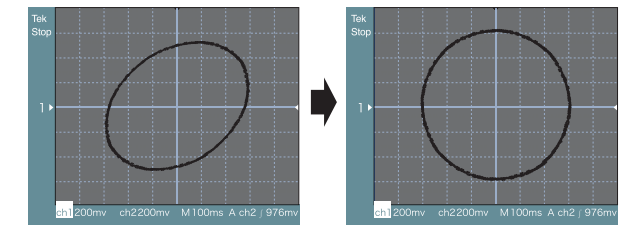


High Precision

Advanced arithmetic processing technology

Use of an arithmetic processing circuit, based on original technology, achieves a higher interpolation accuracy.

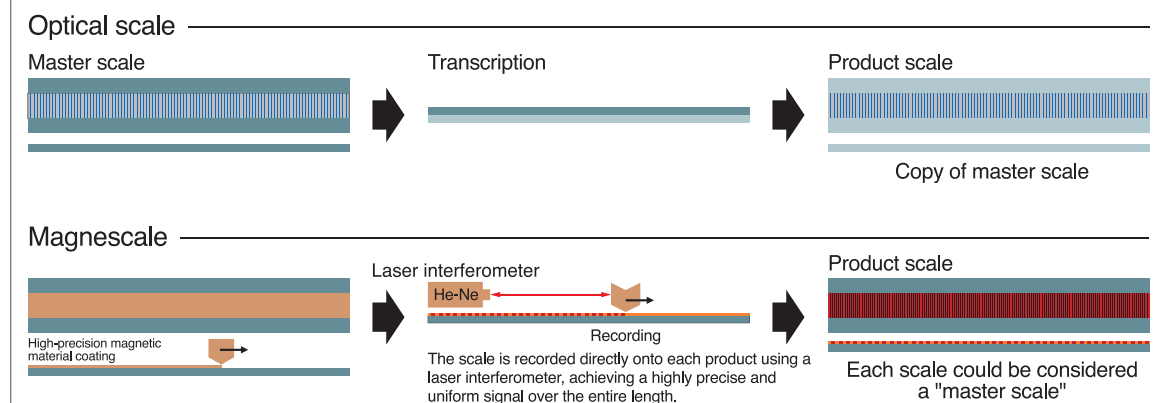
Example of multi-arithmetic processing circuit.



High resolution

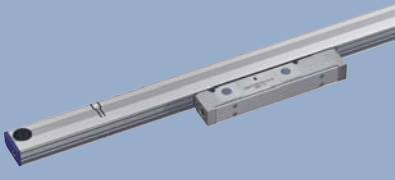
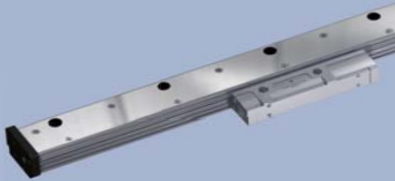


High performance processing allows for resolutions down to 5nm and 1nm.*

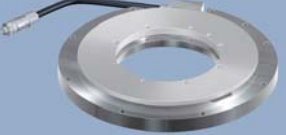
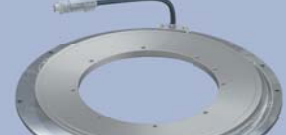


Scale recording method



*For resolution of 1nm(0.001μm), please contact our sales department.

Lineup

	Communication system	Type/model name		Output signal	Compatible controllers	Effective length	Maximum resolution	Accuracy	Maximum response speed	Protective design grade	Page
Linear encoder	ABS (Absolute)	Slim type SR27A		Absolute serial bidirectional signal Compliant with EIA-485 / DRIVE-CLiQ	FANUC Mitsubishi Electric SIEMENS	70 to 2,040 mm	0.005μm (0.001μm is available*)	(3+3L/1,000) μmp-p or (5+5L/1,000) μmp-p L:Effective length(mm)	200m/min	IP54 (Air purge not included) IP65 (Air purge included)	P10•11
		Robust type SR67A		Absolute serial bidirectional signal Compliant with EIA-485 / DRIVE-CLiQ	FANUC Mitsubishi Electric SIEMENS	140 to 3,640 mm	0.005μm (0.001μm is available*)	(3+3L/1,000) μmp-p or (5+5L/1,000) μmp-p L:Effective length(mm)	200m/min	IP54 (Air purge not included) IP65 (Air purge included)	P12•13
	INC (Incremental)	Slim type SR74		A/B/Reference point Line driver signal Compliant with EIA-422	-	70 to 2,040 mm	0.05μm	(3+3L/1,000) μmp-p or (5+5L/1,000) μmp-p L:Effective length(mm)	50m/min (Resolution: 0.1 μm, Minimum phase difference: at 50 ns)	IP54 (Air purge not included) IP65 (Air purge included)	P14•15
		Robust type SR84		A/B/Reference point Line driver signal Compliant with EIA-422	-	140 to 3,040 mm	0.05μm	(3+3L/1,000) μmp-p or (5+5L/1,000) μmp-p L:Effective length(mm)	50m/min (Resolution: 0.1 μm, Minimum phase difference: at 50 ns)	IP54 (Air purge not included) IP65 (Air purge included)	P16•17

	Communication system	Type/model name		Output signal	Compatible controllers	Through hole diameter	Maximum resolution	Accuracy	Maximum response speed	Protective design grade	Page
Angle encoder	ABS (Absolute)	Exposed type RS97-1024E		Absolute serial bidirectional signal Compliant with EIA-485 / DRIVE-CLiQ	FANUC Mitsubishi Electric SIEMENS	φ96mm	23 bit (8,388,608 pulse/revolution)	±2.5"	5,000min ⁻¹	IP65	P18•19
		Exposed type RS97-1024N		Absolute serial bidirectional signal Compliant with EIA-485 / DRIVE-CLiQ	FANUC Mitsubishi Electric SIEMENS	φ180mm	23 bit (8,388,608 pulse/revolution)	±2.5"	5,000min ⁻¹	IP65	P20•21
		Enclosed type RU97-2048		Compliant with DRIVE-CLiQ	SIEMENS	A: φ20mm B: φ22mm	25 bit (33,554,432 pulse/revolution)	±2.5"	2,000min ⁻¹ (Maximum mechanical revolutions: 3,000min ⁻¹)	IP65	P22•23
		Enclosed type RU77-4096		Absolute serial bidirectional signal Compliant with EIA-485	FANUC Mitsubishi Electric Yaskawa Electric	φ20mm	25 bit (33,554,432 pulse/revolution)	±2.5"	2,000min ⁻¹ (Maximum mechanical revolutions: 3,000min ⁻¹)	IP65	P24•25

*For resolution of 1nm(0.001μm), please contact our sales department. *Magnescale reserves the right to change product specifications without prior notice.

Absolute linear encoder

Slim type

SR27A

- Slim type allows installation in narrow spaces
- Magnetic system enables use even in environments with condensation, oil, and other adverse conditions
- Supports the communication protocol of each supporting manufacturer
- Same thermal expansion as iron

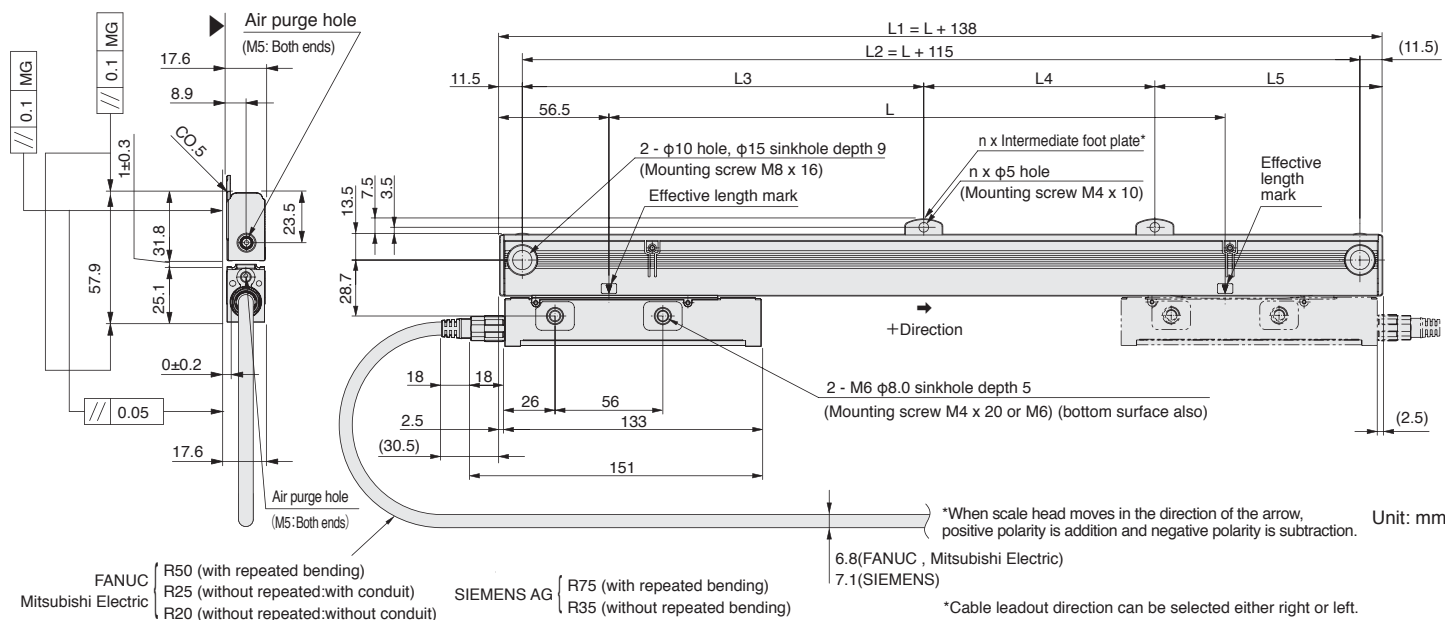


FANUC

Mitsubishi Electric

SIEMENS

Dimensions



Effective length	Total length	Mounting pitch					Number of intermediate foot plates
		L1	L2	L3	L4	L5	
L	L1	L2	L3	L4	L5	n	
70	208	185	-	-	-	0	
120	258	235	-	-	-	0	
170	308	285	-	-	-	0	
220	358	335	-	-	-	0	
270	408	385	-	-	-	0	
320	458	435	-	-	-	0	
370	508	485	-	-	-	0	
420	558	535	-	-	-	0	
470	608	585	-	-	-	0	
520	658	635	-	-	-	0	
570	708	685	-	-	-	0	
620	758	735	-	-	-	0	
670	808	785	392.5	-	392.5	1	
720	858	835	417.5	-	417.5	1	

Effective length	Total length	Mounting pitch					Number of intermediate foot plates
		L1	L2	L3	L4	L5	
L	L1	L2	L3	L4	L5	n	
770	908	885	442.5	-	442.5	1	
820	958	935	467.5	-	467.5	1	
920	1,058	1,035	517.5	-	517.5	1	
1,020	1,158	1,135	567.5	-	567.5	1	
1,140	1,278	1,255	627.5	-	627.5	1	
1,240	1,378	1,355	677.5	-	677.5	1	
1,340	1,478	1,455	727.5	-	727.5	1	
1,440	1,578	1,555	777.5	-	777.5	1	
1,540	1,678	1,655	827.5	-	827.5	1	
1,640	1,778	1,755	877.5	-	877.5	1	
1,740	1,878	1,855	927.5	-	927.5	1	
1,840	1,978	1,955	977.5	-	977.5	1	
2,040	2,178	2,155	1,027.5	-	1,027.5	1	

MG: Machine guide * Intermediate foot plate: One location when L ≥ 670 mm, two locations when L ≥ 1440 mm

- Notes**
- The surface indicated by the ▲ marks is the installation surface.
 - Screws indicated in the diagram are supplied as standard accessories.
 - Movement outside the effective length (L) will damage the scale head. It is recommended that the mechanical movable length (stroke) be set to 10 mm or more to the inside of both ends of the effective length (L).

Specifications

Model name	SR27A - xxx□□AX	SR27A - xxx□□BX SR27A - xxx□□DX	SR27A - xxx□AZY
Effective length (L: mm)	70 - 2,040		
Thermal expansion coefficient	12±1 × 10 ⁻⁶ /°C		
Accuracy(at 20°C)	(3+3L/1,000) μm-p or (5+5L/1,000) μm-p, L: Effective length (mm)		
Reference point	Center, or user-selected position (Set at factory shipping)	Fixed to center	Fixed to 10 mm from left end of effective length
Output signal	Absolute serial bidirectional signal, compliant with EIA-485		Compliant with DRIVE-CLiQ
Compatible controllers	FANUC α/ai interface compatible	Mitsubishi Electric	SIEMENS AG
Resolution	Selectable from 0.001*, 0.005, 0.01, 0.05, 0.1, 0.5 and 1 μm (Factory set)	Selectable from 0.001*, 0.005, 0.01, 0.05 and 0.1 μm (Factory set)	Selectable from 0.001*, 0.005 and 0.01 μm (Factory set)
Maximum response speed	200 m/min		
Functional safety	Please consult with each controller manufacturer regarding support for functional safety.		EN ISO13849-1:2008 Cat.3 EN 62061:2005 / IEC 61508:2010 EN61800-5-2:2007
Legal compliance	FCC Part15 Subpart B Class A ICES-003 Class A Digital Device EN55011 Gp1 Class A, EN61000-6-2		
Operating temperature range	0 to +50°C		
Storage temperature range	-20 to +55°C		
Vibration resistance	150 m/s ² (50 Hz to 3,000 Hz)		
Impact resistance	350 m/s ² (11 ms)		
Protective design grade	IP54 (Air purge not included), IP65 (Air purge included)		
Power supply voltage range	DC+4.75 to +5.25 V		DC+17 to +30.8 V
Maximum power consumption	1.3W or less (4.75V or 5.25V)		1.75W or less (17V) 1.9W or less (30.8V)
Consumption current	250mA (5V) (when the controller is connected)		75mA (24V) (when the controller is connected)
Mass	Approx. 0.39kg + 1.53kg/m or less		
Compatible cables (types without relay connectors) Maximum cable length	CH23-***NVF 13 m	CH23-***NVM 13 m	CH22-***NSMY 30 m
Compatible cables (types with relay connectors) Maximum cable length	CH23-***NVK + CH23-***NPFA 30 m	CH23-***NVK + CH23-***NPMA 30 m	CH22-***NSMF + CH22-***NSFY 30 m

*For resolution of 1nm(0.001μm), please contact our sales department. *Magnescale reserves the right to change product specifications without prior notice.

Details of model designation

Scale

SR27A - xxx□□△#

[xxx]Effective length (cm)

Type	Accuracy grade
A	(5+5L/1,000) μm-p
S	(3+3L/1,000) μm-p

L: Effective length(mm)

[□]Resolution and direction (μm)

Type	Direction	Resolution	Type	Direction	Resolution
S		0.005	T		0.005
A		0.01	F		0.01
B	+	0.05	G	-	0.05
C		0.1	H		0.1
D		0.5	J		0.5
E		1	K		1

SIEMENS AG: S, A
Mitsubishi Electric: S, A, B, C
FANUC: S, A, B, C, D, E, T, F, G, H, I, J, K

[△]Communication protocol

Type	NC manufacturer	Remarks
A	FANUC	α/ai interface
B	Mitsubishi Electric	2-wire
D	Mitsubishi Electric	4-wire
Z	SIEMENS AG	DRIVE-CLiQ

SIEMENS AG: Y only
Mitsubishi Electric, FANUC: X only
* Please consult our representative separately for arbitrary positions.

[#]Reference point position

Type	Reference point position
X	Center
Y	Fixed to 10mm from left end of effective length

Cables

CH22 - □□□□▽※#

[▽]Cable sheath (covering)

Type	Cable specification
S	PU (Polyurethane, Siemens Motion connect 800+)

[※]Scale side connector

Type	Specification	Remarks
M	Scale head connector	Standard
F	M12 connector (Female) made by Phoenix Contact	Relay/Waterproofing
E	M12 connector (Female) with panel mount relay made by Phoenix Contact	Relay/Waterproofing/Attached connector

[#]Controller side connector

Type	Specification	Remarks
None	Open-end	Standard
Y	RJ45 connector made by YAMAICHI ELECTRONICS	Adopts NC machine tool
Z	RJ45 connector (water proof) made by YAMAICHI ELECTRONICS	Relay
F	M12 connector (Male) made by Phoenix Contact	Relay/Waterproofing

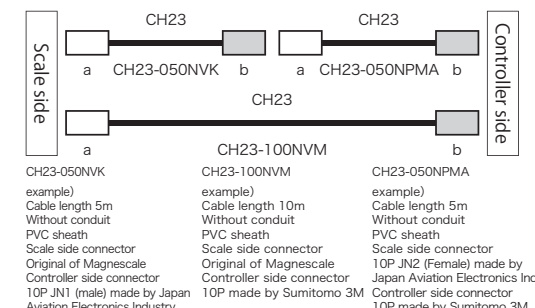
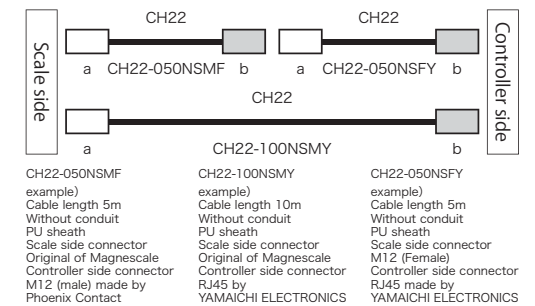
CH23 - □□□□▽※#

[※]Controller side connector

Type	Specification	Remarks
Without	Earth wire	
Z	Open-end	Scale side connector should be 10P JN2 (Female) made by Japan Aviation Electronics Industry or 2P made by TAJIMI ELECTRONICS
None		Standard
M	10P made by Sumitomo 3M	Mitsubishi NC, J3 (INC serial, ABS)
F	20P straight case made by Honda Tsushin Kogyo	FANUC (INC serial, ABS)
J	Horizontal drawing case made by HIROSE Electric	FANUC (INC serial, ABS)
K	10P JN1 (Male) made by Japan Aviation Electronics Industry	Relay
N	12P R04 (Male) made by TAJIMI ELECTRONICS	Relay (fixed)

[#]Scale side connector

Type	Specification	Remarks
None	Original of Magnescale	Standard
A	10P JN2 (Female) made by Japan Aviation Electronics Industry	Relay
C	12P R04-9125JF8.5 made by TAJIMI ELECTRONICS	Relay (fixed)



Absolute linear encoder
Robust type

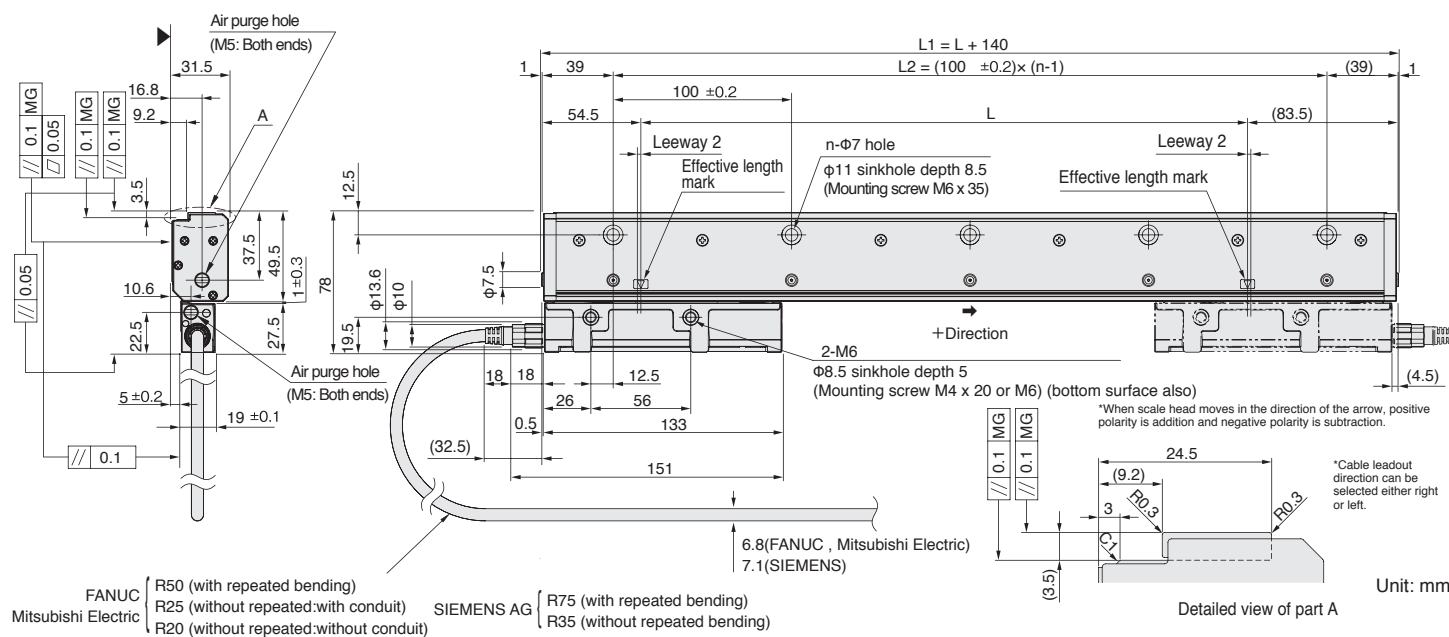
SR67A

- High rigidity provides resistance to shock and vibration
- Magnetic system allows use even in environments with condensation, oil, and other adverse conditions
- Enables direct communication using the protocol of each supporting manufacturer without the requirement of an amplifier
- Same thermal expansion as iron



FANUC Mitsubishi Electric SIEMENS

Dimensions



FANUC: R50 (with repeated bending), R25 (without repeated:with conduit), R20 (without repeated:without conduit)
Mitsubishi Electric: R75 (with repeated bending), R35 (without repeated bending)
SIEMENS AG: R75 (with repeated bending), R35 (without repeated bending)

Effective length L	Total length L1	L2	n
140	280	200	3
240	380	300	4
340	480	400	5
440	580	500	6
540	680	600	7
640	780	700	8
740	880	800	9
840	980	900	10
940	1,080	1,000	11
1,040	1,180	1,100	12
1,140	1,280	1,200	13
1,240	1,380	1,300	14
1,340	1,480	1,400	15
1,440	1,580	1,500	16

Effective length L	Total length L1	L2	n
1,540	1,680	1,600	17
1,640	1,780	1,700	18
1,740	1,880	1,800	19
1,840	1,980	1,900	20
2,040	2,180	2,100	22
2,240	2,380	2,300	24
2,440	2,580	2,500	26
2,640	2,780	2,700	28
2,840	2,980	2,900	30
3,040	3,180	3,100	32
3,240	3,380	3,300	34
3,440	3,580	3,500	36
3,640	3,780	3,700	38

MG: Machine guide

- Notes**
- The surface indicated by the ▲ marks is the installation surface.
 - Movement outside the effective length (L) will damage the scale head. It is recommended that the mechanical movable length (stroke) be set to 10 mm or more to the inside of both ends of the effective length (L).

Specifications

Model name	SR67A - xxx□□AX	SR67A - xxx□□BX SR67A - xxx□□DX	SR67A - xxx□□AZY
Effective length (L: mm)	140 - 3,640		
Thermal expansion coefficient	12±1 × 10 ⁻⁶ /°C		
Accuracy(at 20°C)	(3+3L/1,000) μm-p (effective length 140 to 3,040 mm) or (5+5L/1,000) μm-p (effective length 140 to 3,640 mm), L: Effective length (mm)		
Reference point	Center, or user-selected position (Set at factory shipping)	Fixed to center	Fixed to 10 mm from left end of effective length
Output signal	Absolute serial bidirectional signal, compliant with EIA-485		Compliant with DRIVE-CLiQ
Compatible controllers	FANUC α/ai interface compatible	Mitsubishi Electric	SIEMENS AG
Resolution	Selectable from 0.001*, 0.005, 0.01, 0.05, 0.1, 0.5 and 1 μm (Factory set)	Selectable from 0.001*, 0.005, 0.01, 0.05 and 0.1 μm (Factory set)	Selectable from 0.001*, 0.005 and 0.01 μm (Factory set)
Maximum response speed	200 m/min		
Functional safety	Please consult with each controller manufacturer regarding support for functional safety.		EN ISO13849-1:2008 Cat.3 EN 62061:2005 / IEC 61508:2010 EN61800-5-2:2007
Legal compliance	FCC Part15 Subpart B Class A ICES-003 Class A Digital Device EN55011 Gp1 Class A, EN61000-6-2		
Operating temperature range	0 to +50°C		
Storage temperature range	-20 to +55°C		
Vibration resistance	250 m/s ² (50 Hz to 3,000 Hz)		
Impact resistance	450 m/s ² (11 ms)		
Protective design grade	IP54 (Air purge not included), IP65 (Air purge included)		
Power supply voltage range	DC+4.75 to +5.25 V		DC+17 to +30.8 V
Maximum consumption current	1.3W or less (4.75V or 5.25V)		1.75W or less (17V) 1.9W or less (30.8V)
Consumption current	250mA (5V) (when the controller is connected)		75mA (24V) (when the controller is connected)
Mass	Approx. 0.9kg+ 5.2kg/m or less		
Compatible cables (types without relay connectors) Maximum cable length	CH23-***NVF 13 m	CH23-***NVM 13 m	CH22-***NSMY 30 m
Compatible cables (types with relay connectors) Maximum cable length	CH23-***NVK + CH23-***NPFA 30 m	CH23-***NVK + CH23-***NPMA 30 m	CH22-***NSMF + CH22-***NSFY 30 m

*For resolution of 1nm(0.001μm), please contact our sales department. *Magnescale reserves the right to change product specifications without prior notice.

Details of model designation

Scale

SR67A - xxx□□△#

[xxx]Effective length (cm)

[□]Accuracy grade

Type	Accuracy grade
A	(5+5L/1,000)μm-p
S	(3+3L/1,000)μm-p

L: Effective length(mm)

[□]Resolution and direction (μm)

Type	Direction	Resolution	Type	Direction	Resolution
S		0.005	T		0.005
A		0.01	F		0.01
B	+	0.05	G	-	0.05
C		0.1	H		0.1
D		0.5	J		0.5
E		1	K		1

SIEMENS AG: S, A
Mitsubishi Electric: S, A, B, C
FANUC: S, A, B, C, D, E, T, F, G, H, I, J, K

[△]Communication protocol

Type	NC manufacture	Remarks
A	FANUC	α/ai interface
B	Mitsubishi Electric	2-wire
D	Mitsubishi Electric	4-wire
Z	SIEMENS AG	DRIVE-CLiQ

SIEMENS AG: Y only
Mitsubishi Electric, FANUC: X only
*Please consult our representative separately for arbitrary positions.

[#]Reference point position

Type	Reference point position
X	Center
Y	Fixed to 10mm from left end of effective length

Cables

CH22 - □□□□▽※#

[□□□]Cable length

Written by flush right, indication in "m" units, up to 30 m, 0.5 m pitch (Example)

Type	Cable length
015	1.5m
070	7m
260	26m

[□]Conduit specification

Type	Conduit specification
C	With conduit
N	Without conduit (standard)

CH23 - □□□□○▽※#

[□□□]Cable length

Written by flush right, indication in "m" units, up to 30 m, 0.5 m pitch (Example)

Type	Cable length
010	1m
005	0.5m
065	6.5m
100	10m

[□]Conduit specification

Type	Conduit specification
C	With conduit
N	Without conduit

[▽]Cable sheath

Type	Cable specification
V	PVC(φ6.8)[Scale side]
P	PVC(φ8)[Controller side]
E	PU(φ8)[Controller side]

[▽]Cable sheath (covering)

Type	Cable specification
S	PU (Polyurethane, Siemens Motion connect 800+)

[*]Scale side connector

Type	Specification	Remarks
M	Scale head connector	Standard
F	M12 connector (Female) made by Phoenix Contact	Relay/ Waterproofing
E	M12 connector (Female) with panel mount relay made by Phoenix Contact	Relay/ Waterproofing/ Attached connector

[#]Controller side connector

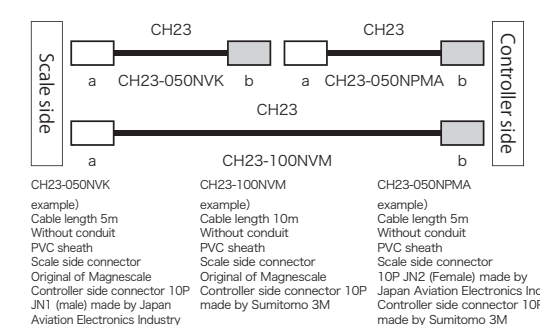
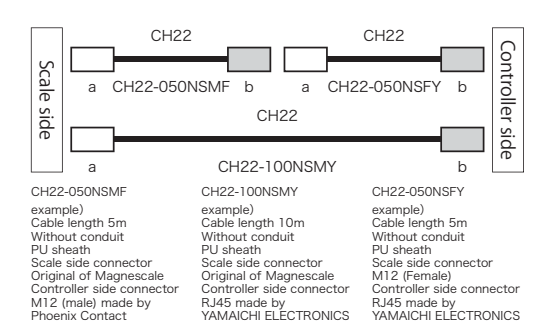
Type	Specification	Remarks
None	Open-end	
Y	RJ45 connector made by YAMAICHI ELECTRONICS	Adopts NC machine tool
Z	RJ45 connector (water proof) made by YAMAICHI ELECTRONICS	Relay
F	M12 connector (Male) made by Phoenix Contact	Relay/ Waterproofing

[*]Controller side connector

Type	Specification	Remarks
Z	Scale side connector should be 10P JN2 (Female) made by Japan Aviation Electronics Industry or 2P made by TAJIMI ELECTRONICS	
None	Open-end	Standard
M	10P made by Sumitomo 3M	Mitsubishi NC, J3 (INC serial, ABS)
F	20P straight case made by Honda Tsushin Kogyo	FANUC (INC serial, ABS)
J	Horizontal drawing case made by HIROSE Electric	FANUC (INC serial, ABS)
K	10P JN1 (Male) made by Japan Aviation Electronics Industry	Relay
N	12P R04 (Male) made by TAJIMI ELECTRONICS	Relay (fixed)

[#]Scale side connector

Type	Specification	Remarks
None	Original of Magnescale	Standard
A	10P JN2 (Female) made by Japan Aviation Electronics Industry	Relay
C	12P R04-9125JF8.5 made by TAJIMI ELECTRONICS	Relay (fixed)



Incremental linear encoder

Slim type

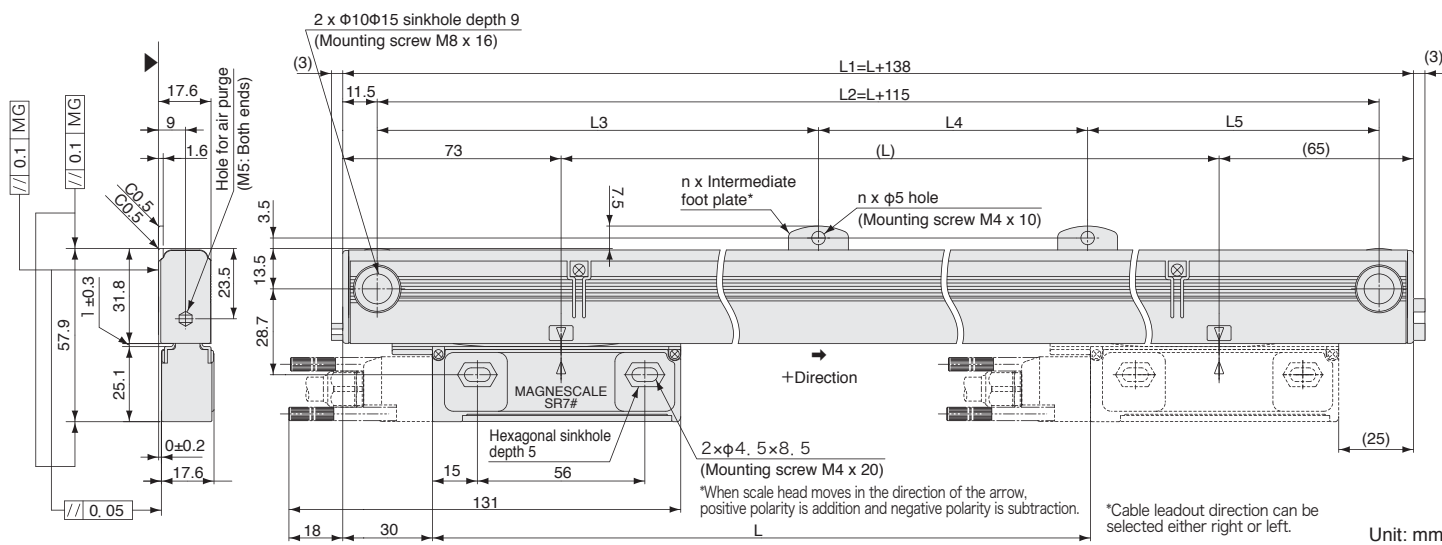
SR74

- Slim type allows installation in narrow spaces
- Magnetic system allows use even in environments with condensation, oil, and other adverse conditions
- Same thermal expansion coefficient as iron



A/B/Reference point

Dimensions (cable left-lead out direction)



Effective length	Total length	Mounting pitch					Number of intermediate foot plates
		L	L1	L2	L3	L4	
70	208	185	-	-	-	0	
120	258	235	-	-	-	0	
170	308	285	-	-	-	0	
220	358	335	-	-	-	0	
270	408	385	-	-	-	0	
320	458	435	-	-	-	0	
370	508	485	-	-	-	0	
420	558	535	-	-	-	0	
470	608	585	-	-	-	0	
520	658	635	-	-	-	0	
570	708	685	-	-	-	0	
620	758	735	-	-	-	0	
720	858	835	417.5	-	417.5	1	

Effective length	Total length	Mounting pitch					Number of intermediate foot plates
		L	L1	L2	L3	L4	
770	908	885	442.5	-	442.5	1	
820	958	935	467.5	-	467.5	1	
920	1,058	1,035	517.5	-	517.5	1	
1,020	1,158	1,135	567.5	-	567.5	1	
1,140	1,278	1,255	627.5	-	627.5	1	
1,240	1,378	1,355	677.5	-	677.5	1	
1,340	1,478	1,455	727.5	-	727.5	1	
1,440	1,578	1,555	777.5	520	515	2	
1,540	1,678	1,655	827.5	550	555	2	
1,640	1,778	1,755	877.5	585	585	2	
1,740	1,878	1,855	927.5	620	615	2	
1,840	1,978	1,955	977.5	650	655	2	
2,040	2,178	2,155	1,027.5	720	715	2	

MG: Machine guide * Intermediate foot plate: One location when L ≥ 720 mm, two locations when L ≥ 1440 mm

Unit: mm

- Notes
- The surface indicated by the ▲ marks is the installation surface.
 - Screws indicated in the diagram are supplied as standard accessories.
 - Movement outside the effective length (L) will damage the scale head. It is recommended that the mechanical movable length (stroke) be set to 10 mm or more to the inside of both ends of the effective length (L).

Specifications

Model name	SR74
Effective length (L: mm)	70-2,040
Thermal expansion coefficient	12±1 × 10 ⁻⁶ /°C
Accuracy(at 20°C)	(3+3L/1,000) μmp-p or (5+5L/1,000) μmp-p L: Effective length (mm)
Reference point	Center point, Multi point (40 mm pitch), Signed-type (standard pitch 20 mm), User-selected point (1 mm pitch)
Output signal	A/B/Reference point line driver signal, compliant with EIA-422
Resolution	Selectable from 0.05, 0.1, 0.5, and 1 μm (Set at factory shipping)
Maximum response speed	50m/ min (Resolution: 0.1 μm, Minimum phase difference: at 50 ns)
Functional safety	-
Legal compliance	FCC Part15 Subpart B Class A ICES-003 Class A Digital Device EN55011 Gp1 Class A, EN61000-6-2(60 V DC or less)
Operating temperature range	0 to +50°C
Storage temperature range	-20 to +55°C
Vibration resistance	150 m/s ² (50 Hz to 3,000Hz)
Impact resistance	350 m/s ² (11 ms)
Protective design grade	IP54 (Air purge not included), IP65 (Air purge included)
Power supply voltage range	DC+4.75 to +5.25 V
Maximum consumption current	1.0W or less (4.75V or 5.25V)
Consumption current	200mA (5V) (when the controller is connected)
Mass	Approx. 0.27kg+ 1.36kg/m or less
Standard compatible cable	CH33-***CP/CE
Maximum cable length	15 m

*Magnescale reserves the right to change product specifications without prior notice.

Details of model designation

Scale

SR74 - xxx★□◆# # #

[xxx]Effective length (L): cm units

[□]Resolution and direction (μm)

[# # #]Reference point position

[★]Cable lead-out direction

Type	Lead-out direction
B	Right
C	Left

Type	Direction	Resolution	Type	Direction	Resolution
B	+	0.05	G	-	0.05
C	+	0.1	H	-	0.1
D	+	0.5	J	-	0.5
E	+	1.0	K	-	1

Reference point position	Indication method
Less than 1,000	Number (850 mm → 850)
1,000-1,099 mm	A + lower 2 digits(1,050 mm → A50)
1,100-1,199 mm	B + lower 2 digits
1,200-1,299 mm	C + lower 2 digits
1,300-1,399 mm	D + lower 2 digits
1,400-1,499 mm	E + lower 2 digits
1,500-1,599 mm	F + lower 2 digits
1,600-1,699 mm	G + lower 2 digits
1,700-1,799 mm	H + lower 2 digits
1,800-1,899 mm	J + lower 2 digits
1,900-1,999 mm	K + lower 2 digits
2,000-2,040 mm	L + lower 2 digits
Center	X
Multi	Y
Signed-type	Z

[□]Accuracy grade

Type	Accuracy grade
A	(5+5L/1,000) μmp-p
S	(3+3L/1,000) μmp-p

L: Effective length(mm)

[◆]Minimum phase difference

Type	Phase difference (ns)	Type	Phase difference (ns)	Type	Phase difference (ns)
A	50	F	300	L	1,250
B	100	G	400	M	2,500
C	150	H	500	N	3,000
D	200	J	650		
E	250	K	1,000		

Cable

CH33 - □□□▽※ #

[□□]Cable length

Written by flush right, indication in "m" units, up to 30 m, 1 m pitch (Example)

Type	Cable length
07	7m
26	26m

[□]Conduit

Type	Conduit
C	With conduit (standard)
N	Without conduit

[▽]Cable sheath (covering)

Type	Specification
P	PVC (Polyvinyl chloride)
E	PU (Polyurethane)

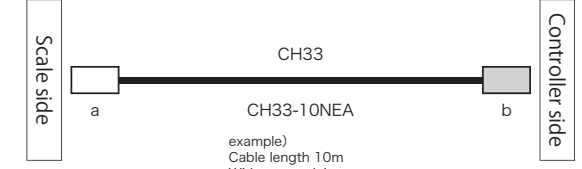
[※]Controller side connector

Type	Specification	Remarks
Without	Earth wire	
None	Open-end	Standard
A	D-sub 15P	
D	D-sub 9P	
L	10P made by Sumitomo 3M	Mitsubishi NC, J3 (A/B/Reference)
E	20P straight case made by Honda Tsushin Kogyo	FANUC (A/B/Reference)
G	6P made by molex*	YASKAWA Electric, Panasonic (INC serial, ABS)
H	Horizontal drawing case made by HIROSE Electric	FANUC (A/B/Reference)

[#]Scale side connector

Type	Specification	Remarks
None	Original of Magnescale	Standard

*Relay type cannot be used for A/B/Reference type of SR74 and SR84



Incremental linear encoder

Robust type

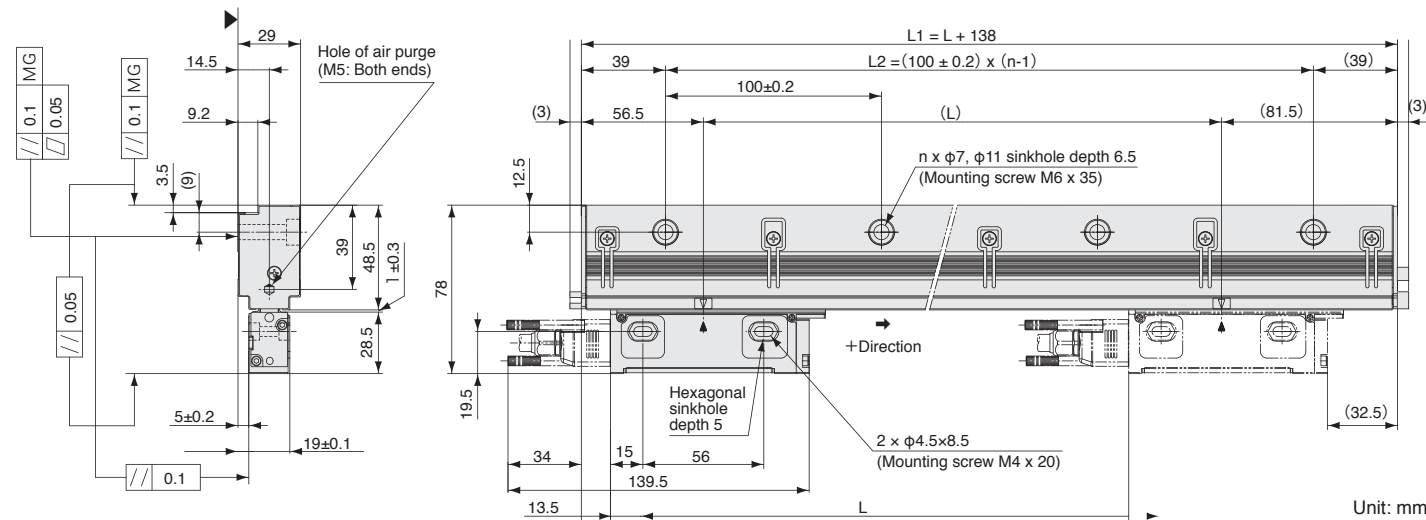
SR84

- High rigidity provides resistance to shock and vibration
- Magnetic system allows use even in environments with condensation, oil, and other adverse conditions
- Same thermal expansion as iron



A/B/Reference point

Dimensions (cable left-lead out direction)



*When scale head moves in the direction of the arrow, positive polarity is addition and negative polarity is subtraction. *Cable leadout direction can be selected either right or left.

Effective length	Total length	L2	n
L	L1		
140	278	200	3
240	378	300	4
340	478	400	5
440	578	500	6
540	678	600	7
640	778	700	8
740	878	800	9
840	978	900	10
940	1,078	1,000	11
1,040	1,178	1,100	12
1,140	1,278	1,200	13
1,240	1,378	1,300	14

Effective length	Total length	L2	n
L	L1		
1,340	1,478	1,400	15
1,440	1,578	1,500	16
1,540	1,678	1,600	17
1,640	1,778	1,700	18
1,740	1,878	1,800	19
1,840	1,978	1,900	20
2,040	2,178	2,100	22
2,240	2,378	2,300	24
2,440	2,578	2,500	26
2,640	2,778	2,700	28
2,840	2,978	2,900	30
3,040	3,178	3,100	32

Unit: mm

MG: Machine guide

- Notes**
- The surface indicated by the ▲ marks is the installation surface.
 - Screws indicated in the diagram are supplied as standard accessories.
 - Movement outside the effective length (L) will damage the scale head. It is recommended that the mechanical movable length (stroke) be set to 10 mm or more to the inside of both ends of the effective length (L).

Specifications

Model name	SR84
Effective length (L: mm)	140-3,040
Thermal expansion coefficient	$12 \pm 1 \times 10^{-6} / ^\circ\text{C}$
Accuracy(at 20°C)	(3+3L/1,000) $\mu\text{m-p-p}$ or (5+5L/1,000) $\mu\text{m-p-p}$ L: Effective length (mm)
Reference point	None, Center point, Multi point, Signed-type, User-selected point (1 mm pitch)
Output signal	A/B/Reference point line driver signal, compliant with EIA-422
Resolution	Selectable from 0.05, 0.1, 0.5, and 1 μm (Set at factory shipping)
Maximum response speed	50m/ min (Resolution: 0.1 μm , Minimum phase difference: at 50 ns)
Functional safety	—
Legal compliance	FCC Part15 Subpart B Class A ICES-003 Class A Digital Device EN55011 Gp1 Class A, EN61000-6-2 Safety standards not applicable (60 V DC or less)
Operating temperature range	0 to +50°C
Storage temperature range	-20 to +55°C
Vibration resistance	250 m/s ² (50 Hz to 2,000Hz)
Impact resistance	450 m/s ² (11 ms)
Protective design grade	IP54 (Air purge not included), IP65 (Air purge included)
Power supply voltage range	DC+4.75 to +5.25 V
Maximum consumption current	1.0W or less (4.75V or 5.25V)
Consumption current	200mA (5V) (when the controller is connected)
Mass	Approx. 1.24kg+ 4kg/m or less
Standard compatible cable	CH33-***CP/CE
Maximum cable length	15 m

*Magnescale reserves the right to change product specifications without prior notice.

Details of model designation

Scale

SR84 - xxx★●□◆# # #

[xxx]Effective length (L): cm units

[□]Resolution and direction (μm)

[# # #]Reference point position

[★]Cable lead-out direction

Type	Lead-out direction
R	Right
L	Left

Type	Direction	Resolution	Type	Direction	Resolution
B	+	0.05	G	-	0.05
C	+	0.1	H	-	0.1
D	+	0.5	J	-	0.5
E	+	1.0	K	-	1

(Distance from left end of effective length:Unit mm)

Reference point position	Indication method
Less than 1,000	Number (850 mm → 850)
1,000—1,099 mm	A + lower 2 digits (1,050 mm→A50)
1,100—1,199 mm	B + lower 2 digits
1,200—1,299 mm	C + lower 2 digits
1,300—1,399 mm	D + lower 2 digits
1,400—1,499 mm	E + lower 2 digits
1,500—1,599 mm	F + lower 2 digits
1,600—1,699 mm	G + lower 2 digits
1,700—1,799 mm	H + lower 2 digits
1,800—1,899 mm	J + lower 2 digits
1,900—1,999 mm	K + lower 2 digits
2,000—2,099 mm	L + lower 2 digits
2,100—2,199 mm	M + lower 2 digits
2,200—2,299 mm	N + lower 2 digits
2,300—2,399 mm	P + lower 2 digits
2,400—2,499 mm	Q + lower 2 digits
2,500—2,599 mm	R + lower 2 digits
2,600—2,699 mm	S + lower 2 digits
2,700—2,799 mm	T + lower 2 digits
2,800—2,899 mm	U + lower 2 digits
2,900—2,999 mm	V + lower 2 digits
3,000—3,040 mm	W + lower 2 digits
Center	X
Multi	Y
Signed-type	Z

[○]Accuracy grade

Type	Accuracy grade
A	(5+5L/1,000) $\mu\text{m-p-p}$
S	(3+3L/1,000) $\mu\text{m-p-p}$

L: Effective length(mm)

[◆]Minimum phase difference

Type	Phase difference (ns)	Type	Phase difference (ns)	Type	Phase difference (ns)
A	50	F	300	L	1,250
B	100	G	400	M	2,500
C	150	H	500	N	3,000
D	200	J	650		
E	250	K	1,000		

Cable

CH33 - □□□○▽※ #

[□□]Cable length

Written by flush right, indication in "m" units, up to 30 m, 1 m pitch (Example)

Type	Cable length
07	7m
26	26m

[○]Conduit

Type	Conduit
C	With conduit (standard)
N	Without conduit

[▽]Cable sheath (covering)

Type	Specification
P	PVC (Polyvinyl chloride)
E	PU (Polyurethane)

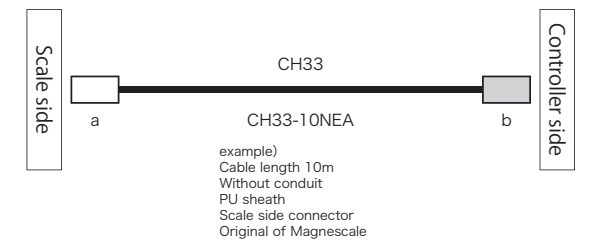
[※]Controller side connector

Type	Specification	Remarks
Without	Earth wire	
None	Open-end	Standard
A	D-sub 15P	
D	D-sub 9P	
L	10P made by Sumitomo 3M	Mitsubishi NC, J3 (A/B/Reference)
E	20P straight case made by Honda Tsushin Kogyo	FANUC (A/B/Reference)
G	6P made by molex*	YASKAWA Electric, Panasonic (INC serial, ABS)
H	R Horizontal drawing case made by HIROSE Electric	FANUC (A/B/Reference)

[#]Scale side connector

Type	Specification	Remarks
None	Original of Magnescale	Standard

*Relay type cannot be used for A/B/Reference type of SR74 and SR84



Absolute angle encoder
Exposed type

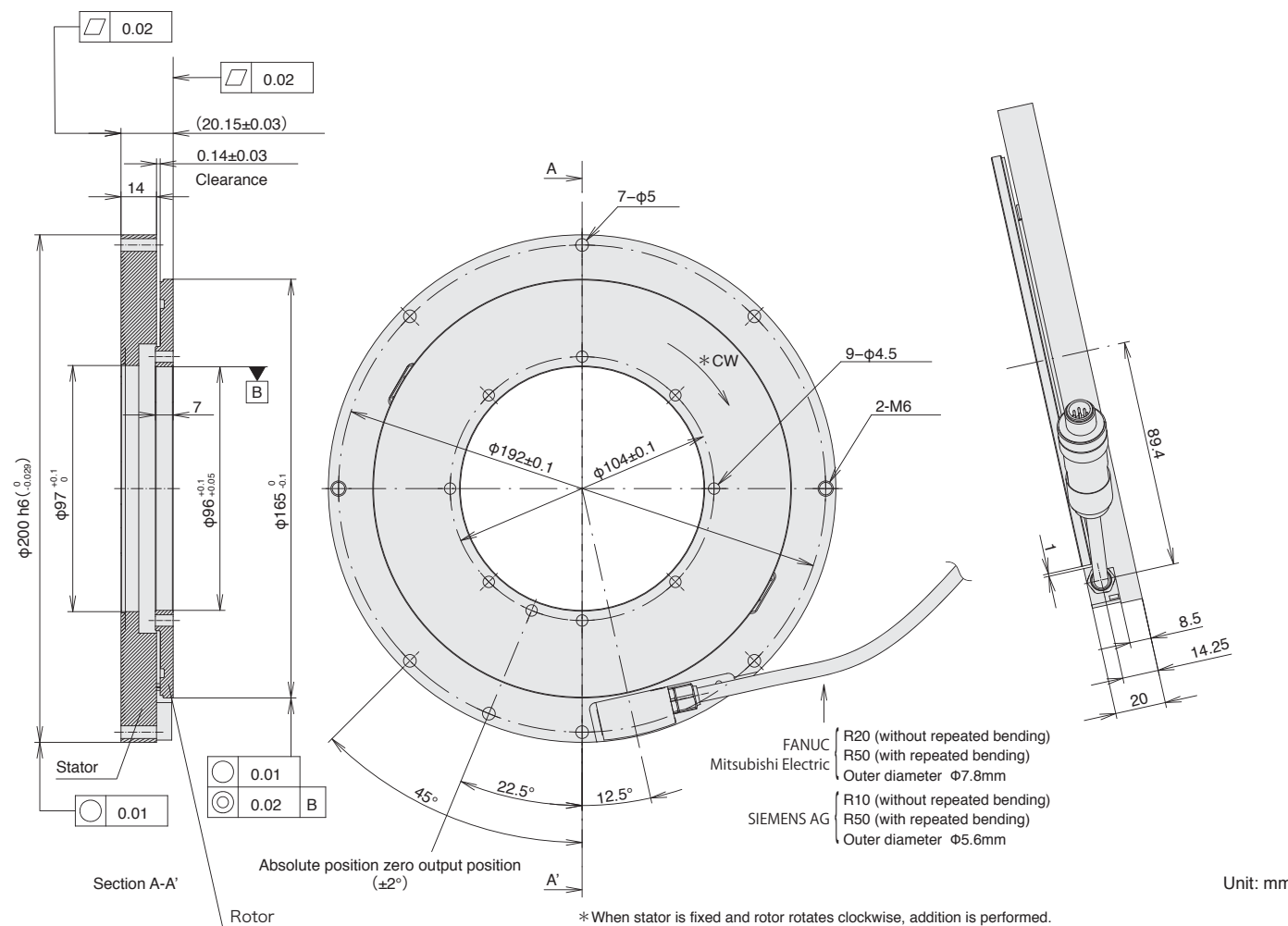
RS97-1024E



- Enables direct communication using the protocol of each supporting manufacturer without the requirement of an amplifier
- Magnetic system allows use even in environments with condensation, oil, and other adverse conditions
- 96mm diameter through-hole allows for design and mounting flexibility
- Dual head configuration reduces the effect of axial runout



Dimensions



Specifications			
Model name	RS97-1024EGA	RS97-1024EGD	RS97-1024EGZ
Output wave number	1,024 waves/revolution		
Through hole diameter	φ96 mm		
Accuracy(at 20°C)	±2.5"		
Output signal	Absolute serial bidirectional signal, compliant with EIA-485		Compliant with DRIVE-CLiQ
Compatible controllers	FANUC	Mitsubishi Electric	SIEMENS AG
Resolution	23 bits (8,388,608 pulses/revolution)		
Maximum response revolutions	5,000 min ⁻¹		
Functional safety	Please consult with each controller manufacturer regarding support for functional safety.		EN ISO13849-1:2008 Cat.3 EN 62061:2005 / IEC 61508:2010 EN61800-5-2:2007
Legal compliance	FCC Part15 Subpart B Class A ICES-003 Class A Digital Device EN55011 Gp1 Class A, EN61000-6-2		
Operating temperature range	0 to +60°C		
Storage temperature range	-10 to +60°C		
Vibration resistance	150 m/s ² (50 Hz to 2,000 Hz)		
Impact resistance	1,000 m/s ² (11 ms)		
Protective design grade	IP65		
Power supply voltage range	DC+4.75 to +5.25 V		DC+17 to +30.8 V
Maximum consumption current	1.25W or less (4.75V) 1.2W or less (5.25V)		2.3W or less (17V) 3.1W or less (30.8V)
Consumption current	240mA (5V) (when the controller is connected)		120mA (24V) (when the controller is connected)
Output connector	JN1HS10PL4S made by Japan Aviation Electronics Industry		SACC-M12MS-8QH made by Phoenix Contact
Moment of inertia	9x10 ⁻⁴ kgm ² or less		
Mass	Approx. 2kg (rotor: 0.2kg/ stator: 1.7kg) or less		
Compatible cables (types without relay connectors) Maximum cable length	CH23-***NPFA 30 m	CH23-***NPMA 30 m	CH22-***NSFY 30 m
Compatible cables (types with relay connectors) Maximum cable length	CH23-***NPKA + CH23-***NPFA 30 m	CH23-***NPKA + CH23-***NPMA 30 m	CH22-***NSFF + CH22-***NSFY 30 m

*Magnescale reserves the right to change product specifications without prior notice.

Details of model designation

Scale

RS97-1024EG△■

[E] Rotor inner diameter
96 mm

[G] Resolution
23 bit

Type	NC manufacturer	Remarks
A	FANUC	α interface
D	Mitsubishi Electric	4-wire
Z	SIEMENS AG	DRIVE-CLiQ

Type	Head cable length
01	1 m
02	2 m

Cables

CH22 - □□□○▽※#

Type	Cable length
015	1.5m
070	7m
260	26m

Type	Conduit specification
C	With conduit
N	Without conduit (standard)

Scale side connector

Type	Specification	Remarks
S	PU sheath	Standard
F	M12 connector (Female) made by Phoenix Contact	Relay/ Waterproofing
E	M12 connector (Female) made by Phoenix Contact	Relay/ Waterproofing/ Attached connector

Controller side connector

Type	Specification	Remarks
None	Open-end	Standard
M	10P made by Sumitomo 3M	Mitsubishi NC, J3 (INC serial, ABS)
F	20P straight case made by Honda Tsushin Kogyo	FANUC (INC serial, ABS)
J	Horizontal drawing case made by HROSE Electric	FANUC (INC serial, ABS)
K	10P JN1 (Male) made by Japan Aviation Electronics Industry	Relay
N	12P R04 (Male) made by TAJIMI ELECTRONICS	Relay (fixed)

CH23 - □□□○▽※#

Type	Cable length
010	1m
005	0.5m
065	6.5m
100	10m

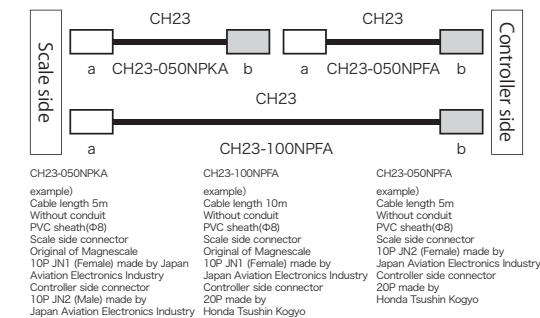
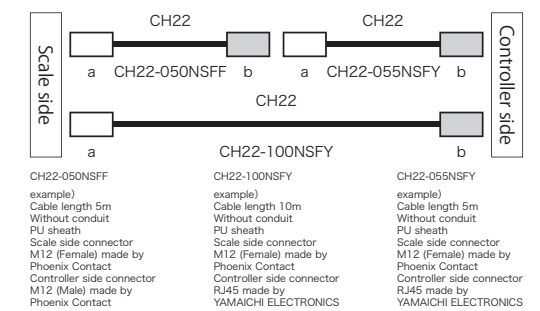
Type	Conduit specification
C	With conduit (standard)
N	Without conduit

Controller side connector

Type	Specification	Remarks
None	Original of Magnescale	Standard
A	10P JN2 (Female) made by Japan Aviation Electronics Industry	Relay
C	12P R04-9125JF8.5 made by TAJIMI ELECTRONICS	Relay (fixed)

Scale side connector

Type	Specification	Remarks
None	Original of Magnescale	Standard
A	10P JN1 (Female) made by Japan Aviation Electronics Industry	Relay
C	12P R04-9125JF8.5 made by TAJIMI ELECTRONICS	Relay (fixed)



SR27
SR67A
SR7A
SR84
RS97-1024E
RS97-1024N
RU97-2048
RU77-4096

Absolute angle encoder
Exposed type

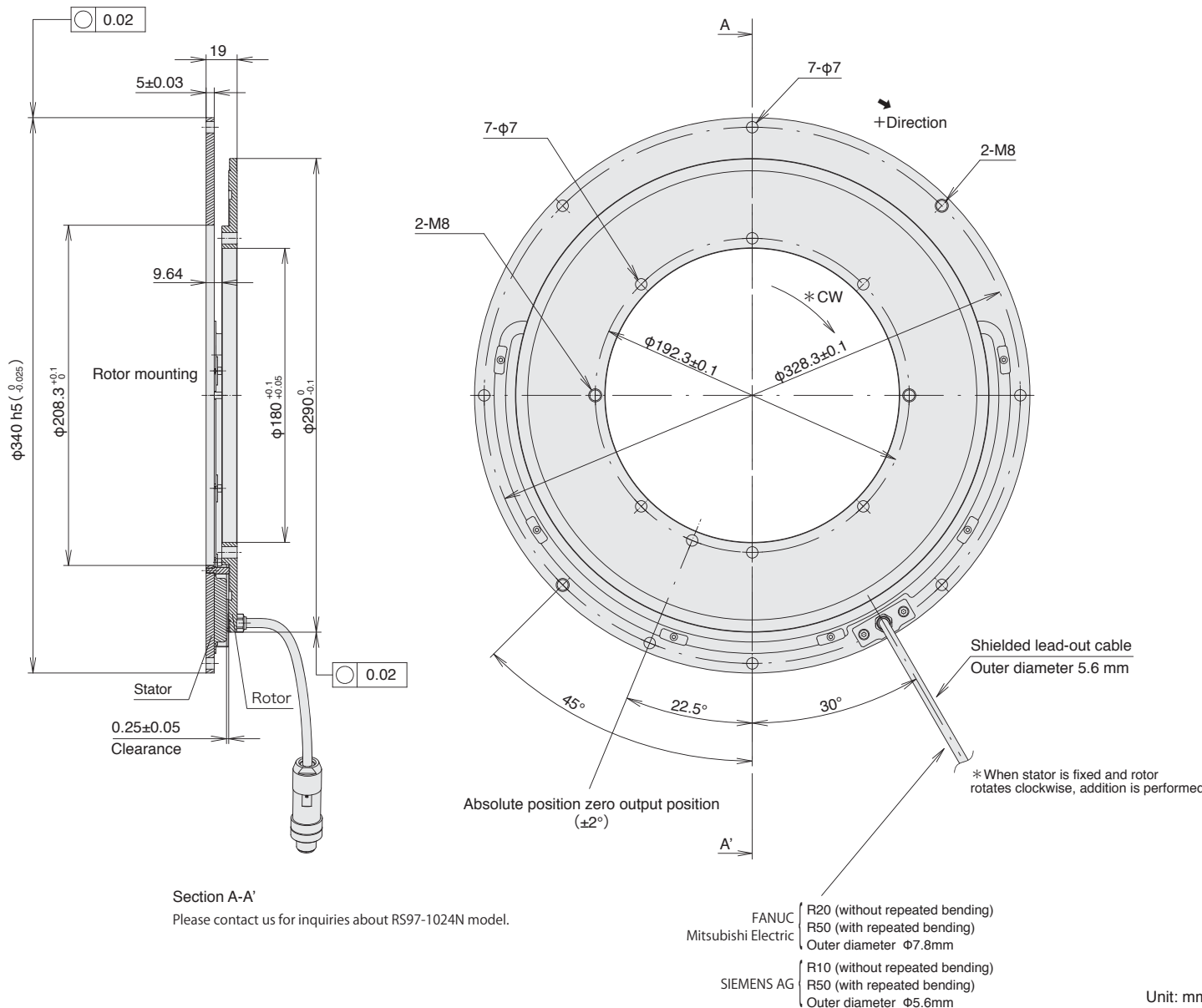
RS97-1024N



- Enables direct communication using the protocol of each supporting manufacturer without the requirement of an amplifier
- Magnetic system enables use even in environments with condensation, oil, and other adverse conditions
- 180mm diameter through-hole allows for design and mounting flexibility
- Dual head configuration reduces the effect of axial runout



Dimensions



Specifications			
Model name	RS97-1024NGA	RS97-1024NGD	RS97-1024NGZ
Output wave number	1,024 waves/revolution		
Through hole diameter	φ180 mm		
Accuracy(at 20°C)	±2.5"		
Output signal	Absolute serial bidirectional signal, compliant with EIA-485		Compliant with DRIVE-CLiQ
Compatible controllers	FANUC	Mitsubishi Electric	SIEMENS AG
Resolution	23 bits (8,388,608 pulses/revolution)		
Maximum response revolutions	5,000 min ⁻¹		
Functional Safety	Please consult with each controller manufacturer regarding support for functional safety.		EN ISO13849-1:2008 Cat.3 EN 62061:2005 / IEC 61508:2010 EN61800-5-2:2007
Legal compliance	FCC Part15 Subpart B Class A ICES-003 Class A Digital Device EN55011 Gp1 Class A, EN61000-6-2		
Operating temperature range	0 to +60°C		
Storage temperature range	-10 to +60°C		
Vibration resistance	150 m/s ² (50 Hz to 2,000 Hz)		
Impact resistance	1,000 m/s ² (11 ms)		
Protective design grade	IP65		
Power supply voltage range	DC+4.75 to +5.25 V		DC+17 to +30.8 V
Maximum consumption current	1.35W or less (4.75V) 1.3W or less (5.25V)		2.5W or less (17V) 3.2W or less (30.8V)
Consumption current	260mA (5V) (when the controller is connected)		120mA (24V) (when the controller is connected)
Output connector	JN1HS10PL2 made by Japan Aviation Electronics Industry		SACC-M12MS-8Q H made by Phoenix Contact
Moment of inertia	8.8×10 ⁻³ kgm ² or less		
Mass	Approx. 3.4kg (rotor: 0.6kg/ stator: 2.8kg) or less		
Compatible cables (types without relay connectors) Maximum cable length	CH23-***NPFA 30 m	CH23-***NPMA 30 m	CH22-***NSFY 30 m
Compatible cables (types with relay connectors) Maximum cable length	CH23-***NPKA + CH23-***NPFA 30 m	CH23-***NPKA + CH23-***NPMA 30 m	CH22-***NSFF + CH22-***NSFY 30 m

*Magnescale reserves the right to change product specifications without prior notice.

Details of model designation

Scale
RS97-1024NG△■

[N] Rotor inner diameter 180 mm
[△] Communication protocol
[■] Head cable length

Type	NC manufacturer	Remarks
A	FANUC	α interface
D	Mitsubishi Electric	4-wire
Z	SIEMENS AG	DRIVE-CLiQ

[G] Resolution 23 bit

Type	Head cable length
01	1 m
02	2 m
03	3 m

Cables
CH22 - □□□○▽※#

[□□□] Cable length
Written by flush right, indication in "m" units, up to 30 m, 0.5 m pitch (Example)

Type	Cable length
015	1.5m
070	7m
260	26m

[○] Conduit specification

Type	Conduit specification
C	With conduit
N	Without conduit (standard)

[▽] Cable sheath (covering)

Type	Cable specification
S	PU (Polyurethane, Siemens Motion connect 800+)

[*] Scale side connector

Type	Specification	Remarks
M	Scale head connector	Standard
F	M12 connector (Female) made by Phoenix Contact	Relay/ Waterproofing
E	M12 connector (Female) made by Phoenix Contact	Relay/ Waterproofing/ Attached connector

[#] Controller side connector

Type	Specification	Remarks
None	Open-end	Standard
Z	RJ45 connector made by YAMAICHI ELECTRONICS	Adopts NC machine tool
Y	RJ45 connector (water proof) made by YAMAICHI ELECTRONICS	Relay
F	M12 connector (Male) made by Phoenix Contact	Relay/ Waterproofing

[*] Controller side connector

Type	Specification	Remarks
Without	Earth wire	Standard
Z	Open-end	Scale side connector should be 10P JN2 (Female) made by Japan Aviation Electronics Industry or 2P made by TAJIMI ELECTRONICS
None	-	Standard
M	10P made by Sumitomo 3M	Mitsubishi NC, J3 (INC serial, ABS)
F	20P straight case made by Honda Tsushin Kogyo	FANUC (INC serial, ABS)
J	Horizontal drawing case made by HROSE Electric	FANUC (INC serial, ABS)
K	10P JN1 (Male) made by Japan Aviation Electronics Industry	Relay
N	12P RD4 (Male) made by TAJIMI ELECTRONICS	Relay (fixed)

[#] Scale side connector

Type	Specification	Remarks
None	Original of Magnescale	Standard
A	10P JN2 (Female) made by Japan Aviation Electronics Industry	Relay
C	12P RD4-9125JF8.5 made by TAJIMI ELECTRONICS	Relay (fixed)

Scale side and **Controller side** connector diagrams are shown for CH22 and CH23 models, including examples like CH22-050NSFF, CH22-100NSFY, CH22-050NSFY, CH23-050NPKA, CH23-100NPFA, and CH23-050NPFA.

Absolute angle encoder
Enclosed type

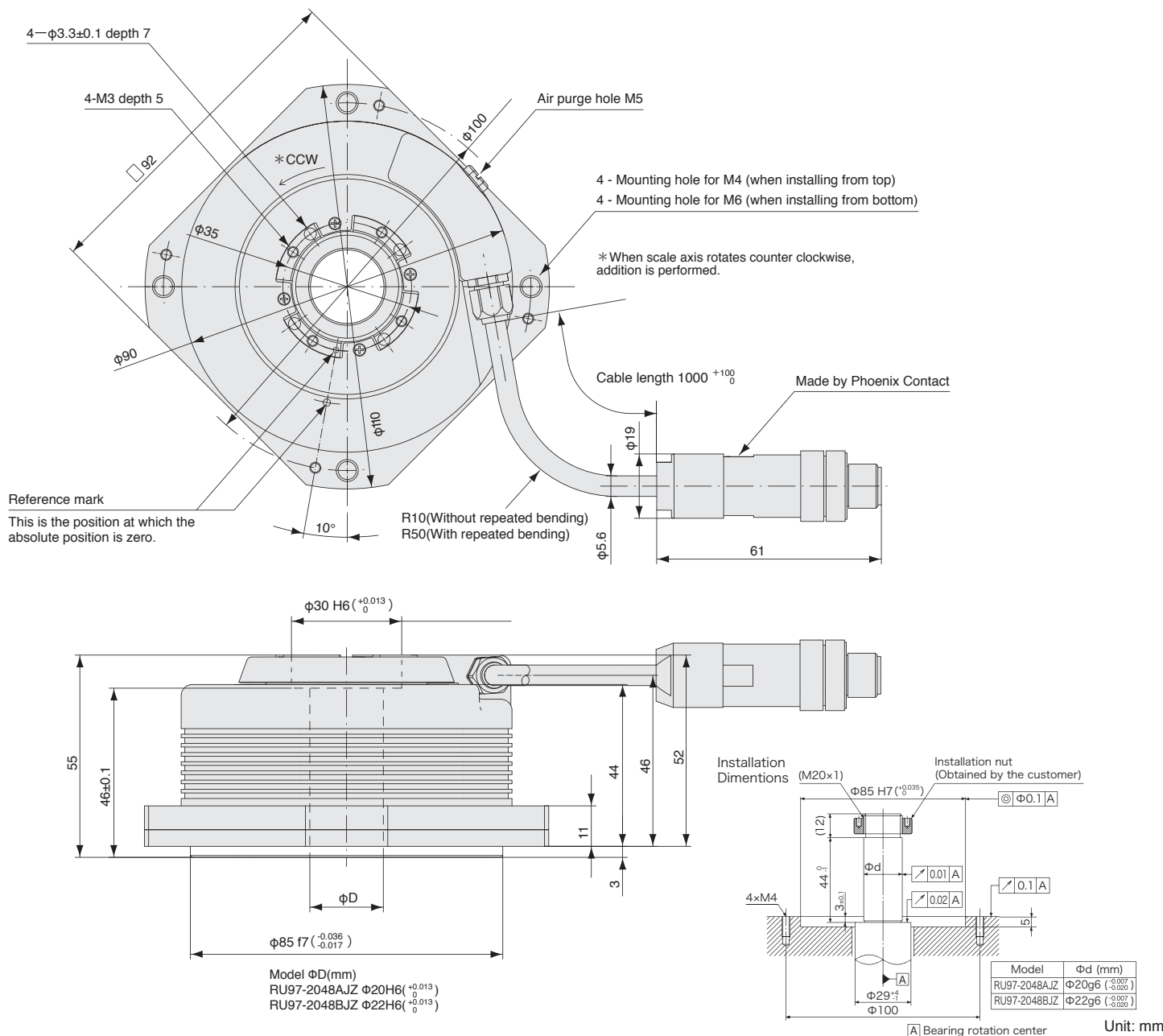
RU97-2048

- Enables direct communication using the SIEMENS DRIVE-CLiQ protocol without the requirement of an amplifier
- Magnetic system enables use even in environments with condensation, oil, and other adverse conditions
- Internal coupling allows for design and mounting flexibility



SIEMENS

Dimensions



Specifications

Model name	RU97-2048AJZ RU97-2048BJZ
Output wave number	2,048 waves/revolution
Through hole diameter	A: $\phi 20$ mm, B: $\phi 22$ mm
Accuracy(at 20°C)	±2.5"
Output signal	Compliant with DRIVE-CLiQ, single turn absolute type
Compatible controllers	SIEMENS AG
Resolution	25 bit (33,554,432 pulses/revolution)
Maximum response revolutions	2,000 min ⁻¹
Maximum mechanical revolutions	3,000 min ⁻¹
Functional safety	EN ISO13849-1:2008 Cat.3 EN 62061:2005 / IEC 61508:2010 / EN61800-5-2:2007
Legal compliance	FCC Part15 Subpart B Class A ICES-003 Class A Digital Device EN55011 Gp1 Class A, EN61000-6-2
Operating temperature range	0 to +60°C
Storage temperature range	-10 to +60°C
Vibration resistance	150 m/s ² (50 Hz to 2,000 Hz)
Impact resistance	1,000 m/s ² (11 ms)
Protective design grade	IP65
Power supply voltage range	DC+17 to +30.8 V
Maximum consumption current	1.6 W or less (17 V or 30.8 V)
Consumption current	65 mA (24 V) (when the controller is connected)
Moment of inertia	9.4×10 ⁻⁵ kgm ² or less
Starting torque (at 20°C)	0.08 Nm or less
Mass	Approx. 1.2kg or less
Compatible cables (types without relay connectors) Maximum cable length	CH22-***NSFY 30 m
Compatible cables (types with relay connectors) Maximum cable length	CH22-***NSFF + CH22-***NSFY 30 m

*Magnescale reserves the right to change product specifications without prior notice.

Details of model designation

Scale

RU97-2048 ☆ JZ ■ ■ ■

[☆] Drum inner diameter

Type	Drum inner diameter
A	$\phi 20$ mm
B	$\phi 22$ mm

[J] Resolution 25 bit

[Z] SIEMENS AG DRIVE-CLiQ

[■] Head cable length

Type	Head cable length
01	1 m
02	2 m
03	3 m

Cables

CH22 - □ □ □ □ □ ▽ ※ #

□ □ □ □ Cable length
Written by flush right, indication in "m" units, up to 30 m, 0.5 m pitch (Example)

○ Conduit specification

Type	Conduit specification
C	With conduit
N	Without conduit (standard)

▽ Cable sheath (covering)

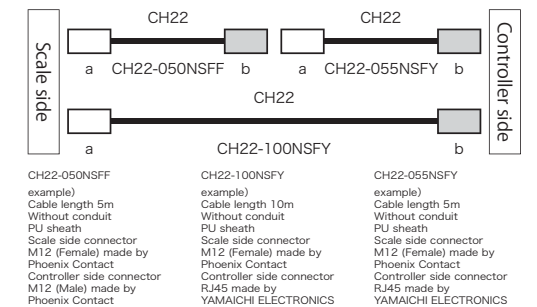
Type	Cable specification	Remarks
S	PU (Polyurethane, Siemens Motion connect 800+)	

※ Scale side connector

Type	Specification	Remarks
M	Scale head connector	Standard
F	M12 connector (Female) made by Phoenix Contact	Relay/ Waterproofing
E	M12 connector (Female) made by Phoenix Contact	Relay/ Waterproofing/ Attached connector

Controller side connector

Type	Specification	Remarks
None	Open-end	
Y	RJ45 connector made by YAMAICHI ELECTRONICS	Adopts NC machine tool
Z	RJ45 connector (water proof) made by YAMAICHI ELECTRONICS	Relay
F	M12 connector (Male) made by Phoenix Contact	Relay/ Waterproofing



Absolute angle encoder
Enclosed type

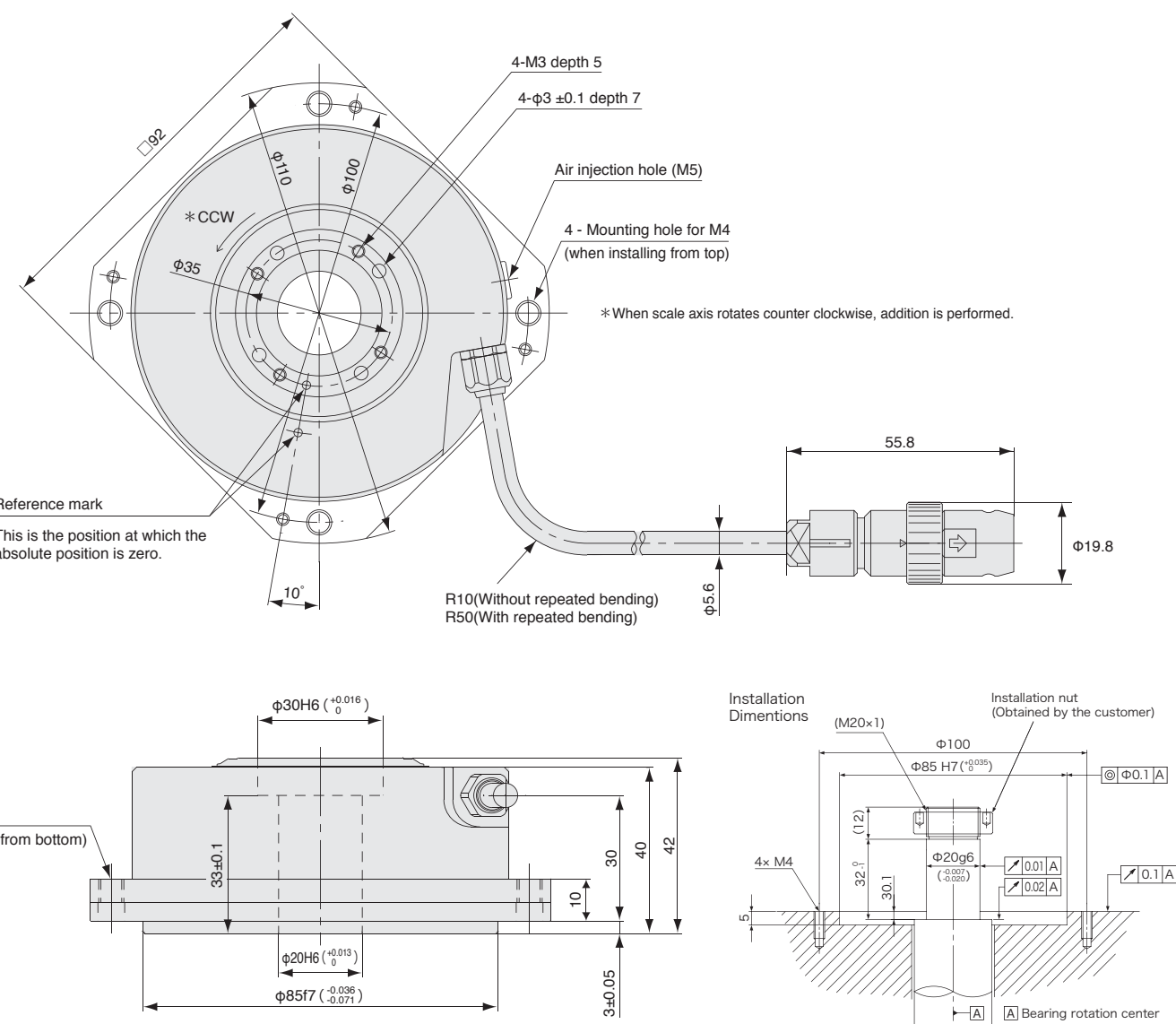
RU77-4096A



- Magnetic system enables use even in environments with condensation, oil, and other adverse conditions
- Enables direct communication using the protocol of each supporting manufacturer without the requirement of an amplifier
- Internal coupling allows for design and mounting flexibility

FANUC Mitsubishi Electric Yaskawa Electric

Dimensions



Unit: mm

Specifications

Model name	RU77-4096A□A	RU77-4096A□B RU77-4096A□D	RU77-4096A□F
Output wave number	4,096 waves/revolution		
Through hole diameter	φ20 mm		
Accuracy(at 20°C)	±2.5"		
Output signal	Absolute serial bidirectional signal, compliant with EIA-485		
Compatible controllers	FANUC	Mitsubishi Electric	Yaskawa Electric
Maximum resolution	25bit (33,554,432 pulse/revolution)		21bit (2,097,152 pulse/revolution)
Maximum response revolutions	2,000 min ⁻¹		
Maximum mechanical revolutions	3,000 min ⁻¹		
Functional safety	-		
Legal compliance	FCC Part15 Subpart B Class A and ICES-003 Class A Digital Device and EN55011 Gp 1 Class A, EN 61000-6-2 Safety standards not applicable (60 V DC or less)		
Operating temperature range	0 to +60°C		
Storage temperature range	-10 to +60°C		
Vibration resistance	150 m/s ² (50 Hz to 2000 Hz)		
Impact resistance	1,000 m/s ² (11 ms)		
Protective design grade	IP65		
Power supply voltage range	DC4.75-5.25 V (with connecting terminal)		
Consumption current	200mA (at 120Ω termination)		
Moment of inertia	9.4×10 ⁻⁵ kgm ² or less		
Starting torque (at 20°C)	0.1 Nm or less		
Mass	Approx. 1.2kg or less		
Standard compatible cable	CH33-***, CE28-***		
Maximum cable length	CH33-*** : 30 m, CE28-*** : 15 m		

*MagneScale reserves the right to change product specifications without prior notice.

Details of model designation

Scale

RU77-4096A□□□★□□

[□] Resolution

Type	Resolution	Number of pulses/revolution	Number of partitions
A	Approx. 2.5°/1,000	131,072	1/32
B	Approx. 1°/1,000	262,144	1/64
C	Approx. 7°/10,000	524,288	1/128
D	Approx. 3.5°/10,000	1,048,576	1/256
E	Approx. 2°/10,000	2,097,152	1/512
F	Approx. 1°/10,000	4,194,304	1/1,024
G	Approx. 4.5°/100,000	8,388,608	1/2,048
H	Approx. 2°/100,000	16,777,216	1/4,096
J	Approx. 1°/100,000	33,554,432	1/8,192

[△] Communication protocol

Type	Number of wires	NC manufacturer
A	4-wire	FANUC α interface
B	2-wire	Mitsubishi Electric
D	4-wire	Mitsubishi Electric
F	2-wire	Yaskawa Electric

[○○] Cable length

Type	Cable length
10	1m

*Yaskawa Electric: D,F

[★] Connector

Connector	Description	Remarks
Plastic water proofing(Male)	J	main cable length Max.1m, extension cable : CH33 ※Max cable length(main+extension) : 30m
Metal water proofing(Male)	G	main cable length Max.9m, extension cable : CE28 ※Max cable length(main+extension) : 15m

CH33 - □□□□▽※#

[□] Cable length
Written by flush right,
indication in "m" units,
up to 30 m, 1 m pitch

(Example)

Type	Cable length	Type	Conduit
07	7m	C	With conduit (standard)
26	26m	N	Without conduit

[○] Conduit

Type	Conduit
C	With conduit (standard)
N	Without conduit

Cable

CE28 - □□□□○※

[□□] Cable length
Written by flush right,
indication in "10cm" units,
up to 14m, 1m pitch

(Example)

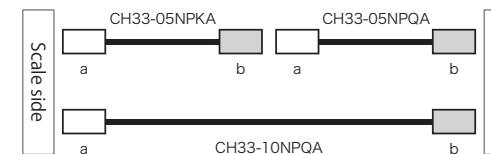
Type	Cable length	Type	Conduit
070	7m	C	With conduit (standard)
090	9m	N	Without conduit
130	13m		

[▽] Cable sheath (covering)

Type	Specification
P	PVC (Polyvinyl chloride)
E	PU (Polyurethane)

[※] Controller side connector

Type	Specification	Remarks
Without/With	Earth wire	
None	Open-end	Standard
M	10P made by Sumitomo 3M	Mitsubishi NC, J3,J4 (ABS)
-	Q 20P straight case made by Honda Tsushin Kogyo	FANUC (ABS)
G	6P made by molex*	YASKAWA Electric (ABS)
-	S Horizontal drawing case made by Hirose Electric	FANUC (ABS)
K	10P JN1 (Male) made by Japan Aviation Electronics Industry	Relay



CH33-05NPKA example) Cable length 5m Without conduit
CH33-10NPQA example) Cable length 10m Without conduit
CH33-05NPQA example) Cable length 5m Without conduit

[#] Scale side connector

Type	Specification	Remarks
A	10P JN2 (Female) made by Japan Aviation Electronics Industry	Relay

[※] Controller side connector

Type	Specification	Remarks
Without/With	Earth wire	
Without	Open-end	Standard
M	10P made by Sumitomo 3M	Mitsubishi NC, J3,J4 (ABS)
F Q	20P made by Honda Tsushin Kogyo	FANUC (ABS)
G	6P made by molex*	YASKAWA Electric (ABS)
J	10P (J) made by Japan Aviation Electronics Industry	RU77 cable extension (standard)
K	10P (N) made by Japan Aviation Electronics Industry	RU77 cable extension (standard)

Other Models

Absolute linear encoder slim type SR77

- FANUC
- Mitsubishi Electric
- Panasonic
- Yaskawa Electric



- Effective length: 70,120,170,220,270,320,370,420,470,520,570,620,720,770,820,920,1020,1140,1240,1340,1440,1540,1640,1740,1840,2040 mm
- Maximum resolution: 0.01 μm
- Accuracy: (3+3L/1,000) μmp-p L:mm (5+5L/1,000) μmp-p L:mm
- Maximum response speed: 200m/min
- Protective design grade: IP65

Cable: CH33
※ Please refer to page 29 for cable specifications.

SR77-xxx★○△◇□□□

Reference point position	Indication method	Reference point position	Indication method	Reference point position	Indication method
Less than 1,000	Number (850 mm→850)	1,700-1,799 mm	H + lower 2 digits	Center	X
1,000-1,099 mm	A + lower 2 digits (1,050 mm→450)	1,800-1,899 mm	J + lower 2 digits		
1,100-1,199 mm	B + lower 2 digits	1,900-1,999 mm	K + lower 2 digits		
1,200-1,299 mm	C + lower 2 digits	2,000-2,040 mm	L + lower 2 digits		
1,300-1,399 mm	D + lower 2 digits				
1,400-1,499 mm	E + lower 2 digits				
1,500-1,599 mm	F + lower 2 digits				
1,600-1,699 mm	G + lower 2 digits				

Type	NC manufacturer	Number of wires
A	FANUC α interface	4-wire
B	Mitsubishi Electric	2-wire
D	Mitsubishi Electric	4-wire
H	Panasonic	2-wire
F	Yaskawa Electric	2-wire

FANUC, Mitsubishi Electric, Panasonic						Yaskawa Electric		
Type	Direction	Resolution	Type	Direction	Resolution	Type	Direction	Number of partitions
A		0.01	F		0.01	L	(plus)	1/8,192
B		0.05	G		0.05	M	(plus)	1/1,024
C	(plus)	0.1	H	(minus)	0.1			
D		0.5	J		0.5			
E		1	K		1			

Type	Accuracy grade
A	(5+5L/1,000) μm
S	(3+3L/1,000) μm

Type	Lead-out direction
R	Right
L	Left

Effective length (L): cm units
L: Effective length(mm)

Absolute linear encoder robust type SR87

- FANUC
- Mitsubishi Electric
- Panasonic
- Yaskawa Electric



- Effective length: 140,240,340,440,540,640,740,840,940,1040,1140,1240,1340,1440,1540,1640,1740,1840,2040,2240,2440,2640,2840,3040 mm
- Maximum resolution: 0.01 μm
- Accuracy: (3+3L/1,000) μmp-p L:mm (5+5L/1,000) μmp-p L:mm
- Maximum response speed: 200m/min
- Protective design grade: IP65

Cable: CH33
※ Please refer to page 29 for cable specifications.

SR87-xxx★○△◇□□□

Reference point position	Indication method	Reference point position	Indication method	Reference point position	Indication method
Less than 1,000	Number (850 mm→850)	1,800-1,899 mm	J + lower 2 digits	2,700-2,799 mm	T + lower 2 digits
1,000-1,099 mm	A + lower 2 digits (1,050 mm→450)	1,900-1,999 mm	K + lower 2 digits	2,800-2,899 mm	U + lower 2 digits
1,100-1,199 mm	B + lower 2 digits	2,000-2,040 mm	L + lower 2 digits	2,900-2,999 mm	V + lower 2 digits
1,200-1,299 mm	C + lower 2 digits	2,100-2,199 mm	M + lower 2 digits	3,000-3,040 mm	W + lower 2 digits
1,300-1,399 mm	D + lower 2 digits	2,200-2,299 mm	N + lower 2 digits	Center	X
1,400-1,499 mm	E + lower 2 digits	2,300-2,399 mm	P + lower 2 digits		
1,500-1,599 mm	F + lower 2 digits	2,400-2,499 mm	Q + lower 2 digits		
1,600-1,699 mm	G + lower 2 digits	2,500-2,599 mm	R + lower 2 digits		
1,700-1,799 mm	H + lower 2 digits	2,600-2,699 mm	S + lower 2 digits		

Type	NC manufacturer	Number of wires
A	FANUC α interface	4-wire
B	Mitsubishi Electric	2-wire
D	Mitsubishi Electric	4-wire
H	Panasonic	2-wire
F	Yaskawa Electric	2-wire

FANUC, Mitsubishi Electric, Panasonic						Yaskawa Electric		
Type	Direction	Resolution	Type	Direction	Resolution	Type	Direction	Number of partitions
A		0.01	F		0.01	L	(plus)	1/8,192
B		0.05	G		0.05	M	(plus)	1/1,024
C	(plus)	0.1	H	(minus)	0.1			
D		0.5	J		0.5			
E		1	K		1			

Type	Accuracy grade
A	(5+5L/1,000) μm
S	(3+3L/1,000) μm

Type	Lead-out direction
R	Right
L	Left

Effective length (L): cm units
L: Effective length(mm)

Incremental linear encoder slim type SR75

- Mitsubishi Electric
- Panasonic
- Yaskawa Electric



- Effective length: 70,120,170,220,270,320,370,420,470,520,570,620,720,770,820,920,1020,1140,1240,1340,1440,1540,1640,1740,1840,2040 mm
- Maximum resolution: 0.01 μm
- Accuracy: (3+3L/1,000) μmp-p L:mm (5+5L/1,000) μmp-p L:mm
- Maximum response speed: 200m/min
- Protective design grade: IP65

Cable: CH33
※ Please refer to page 29 for cable specifications.

SR75-xxx★○△◇□□□

Reference point position	Indication method	Reference point position	Indication method
Less than 1,000	Number (850 mm→850)	1,700-1,799 mm	H + lower 2 digits
1,000-1,099 mm	A + lower 2 digits (1,050 mm→450)	1,800-1,899 mm	J + lower 2 digits
1,100-1,199 mm	B + lower 2 digits	1,900-1,999 mm	K + lower 2 digits
1,200-1,299 mm	C + lower 2 digits	2,000-2,040 mm	L + lower 2 digits
1,300-1,399 mm	D + lower 2 digits	Center	X
1,400-1,499 mm	E + lower 2 digits	Multi	Y
1,500-1,599 mm	F + lower 2 digits	Signed-type	Z
1,600-1,699 mm	G + lower 2 digits		

Type	NC manufacturer	Number of wires
B	Mitsubishi Electric	2-wire
D	Mitsubishi Electric	4-wire
H	Panasonic	2-wire
F	Yaskawa Electric	2-wire

FANUC, Mitsubishi Electric, Panasonic				Yaskawa Electric		
Type	Direction	Resolution	Type	Direction	Number of partitions	
A		0.01			1/8,192	
B		0.05			1/1,024	
C	(plus)	0.1				
D		0.5				
E		1				

Type	Accuracy grade
A	5+5L/1,000 μm
S	3+3L/1,000 μm

Type	Lead-out direction
R	Right
L	Left

Effective length (L): cm units
L: Effective length(mm)

Incremental angle encoder enclosed type RU74

A/B/Reference point

- Hollow diameter: φ20
- Resolution: Approx. 1/1,000°, Approx. 1/10,000°
- Accuracy: ±2.5"
- Maximum response revolution: As the table on the right
- Protective design grade: IP65

Cable CE28-***○#

Scale side connector
Conduit
Type/Conduit
C With conduit (standard)
N Without conduit

Cable length
Written by flush right, indication in "10 cm" units, up to 14 m, 1 m pitch
Note: 15 m or less including RU74 main unit head cable length



RU74-4096A□■

Type	Minimum phase difference	Response revolutions (min.)	Type	Minimum phase difference	Response revolutions (min.)
A	50	2,000	E	250	533
B	100	1,332	F	300	444
C	150	888	G	400	333
D	200	666	H	500	266
			J	650	205
			K	1,000	133

Type	Resolution	Rotation direction and polarity	Number of pulses/revolution
A	Approx. 1°/1,000	CW/+	360,448
B	Approx. 1°/1,000	CCW/+	360,448
C	Approx. 1°/10,000	CW/+	3,600,384
D	Approx. 1°/10,000	CCW/+	3,600,384

List of Adapter Cables

Scale	Connected equipment	Controller side Connector	List of Adapter Cables	Scale side Connector	Maximum cable length	Cable bending radius	
SR27A SR67A	General-purpose cable	Open end	CH23-***	Scale side Original of Magnescale	13 m	20 mm(Fixed, without conduit) 25 mm(Fixed, with conduit) 50 mm(Elbow-shaped bend)	
	FANUC	Controller side Honda Tsushin Kogyo PCR-S20FS+	CH23-***F	Scale side Original of Magnescale	13 m	20 mm(Fixed, without conduit) 25 mm(Fixed, with conduit) 50 mm(Elbow-shaped bend)	
			CH23-***FA/QA CH23-***K				
	Relay connector JAE JN1HS10PL2	CH23-***KA	Relay connector JAE JN2DS10SL-R	Combined total 30 m			
	Mitsubishi Electric	Controller side Sumitomo 3M 36210-0100PL	CH23-***M	Scale side Original of Magnescale	13 m		
			CH23-***MA CH23-***K				Combined total 30 m
			CH23-***KA				Relay connector JAE JN2DS10SL-R
	SIEMENS	Controller side YAMAICHI ELECTRONICS CN078P-061-0001	CH22-***SMY	Scale side Original of Magnescale	30 m		
			CH22-***SFY CH22-***SMF				Combined total 30 m
			CH22-***SFF				Relay connector Phoenix Contact SACC-M12MS-8Q SH

Scale	Connected equipment	Controller side Connector	List of Adapter Cables	Scale side Connector	Maximum cable length	Cable bending radius
RU97	SIEMENS	Controller side YAMAICHI ELECTRONICS CN078P-061-0001	CH22-***SFY	Relay connector Phoenix Contact SACC-M12MS-8Q SH	30 m	35 mm(Fixed) 75 mm(Elbow-shaped bend)
		Relay connector Phoenix Contact SACC-M12MS-8Q SH	CH22-***SFF	Relay connector Phoenix Contact SACC-M12MS-8Q SH	Combined total 30 m	
RU77	FANUC	Controller side Honda Tsushin Kogyo PCR-S20FS+	CE28-***F	Scale side JAE JB1HB10SL2	14 m	10 mm(Fixed, without conduit) 25 mm(Fixed, with conduit) 50 mm(Elbow-shaped bend)
		Relay connector JAE JB1D10PL2	CE28-***J	Relay connector JAE JB1HB10SL2		
	Mitsubishi Electric	Controller side Sumitomo 3M 36210-0100PL	CE28-***M	Scale side JAE JB1HB10SL2		
		Relay connector JAE JB1D10PL2	CE28-***J	Relay connector JAE JB1HB10SL2		
	Yaskawa Electric	Controller side Molex 6P 55100-0670	CE28-***G	Scale side JAE JB1HB10SL2		
		Relay connector JAE JB1D10PL2	CE28-***J	Relay connector JAE JB1HB10SL2		
RS97	FANUC	Controller side Honda Tsushin Kogyo PCR-S20FS+	CH23-***FA/QA	Scale side JAE JN2DS10SL-R	30 m	20 mm(Fixed, without conduit) 25 mm(Fixed, with conduit) 50 mm(Elbow-shaped bend)
		Relay connector JAE JN1HS10PL2	CH23-***KA	Relay connector JAE JN2DS10SL-R	Combined total 30 m	
	Mitsubishi Electric	Controller side Sumitomo 3M 36210-0100PL	CH23-***MA	Scale side JAE JN2DS10SL-R	30 m	
		Relay connector JAE JN1HS10PL2	CH23-***KA	Relay connector JAE JN2DS10SL-R	Combined total 30 m	
	SIEMENS	Controller side YAMAICHI ELECTRONICS CN078P-061-0001	CH22-***SFY	Scale side Phoenix Contact SACC-M12FS-8Q SH	30 m	
		Relay connector Phoenix Contact SACC-M12MS-8Q SH	CH22-***SFF	Relay connector Phoenix Contact SACC-M12MS-8Q SH	Combined total 30 m	

Cables

CH22 - □□□○▽※

□□□ Cable length
Written by flush right,
indication in "m" units,
up to 30 m, 0.5 m pitch

Type	Cable length	Type	Conduit specification
015	1.5m	C	With conduit
070	7m	N	Without conduit (standard)
260	26m		

▽ Cable sheath (covering)

Type	Cable specification
S	PU (Polyurethane, Siemens Motion connect 800+)

※ Scale side connector

Type	Specification	Remarks
M	Scale head connector	Standard
F	M12 connector (Female) made by Phoenix Contact	Relay/ Waterproofing
E	M12 connector (Female) made by Phoenix Contact	Relay/ Waterproofing/ Attached connector

＃ Controller side connector

Type	Specification	Remarks
None	Open-end	Standard
Y	RJ45 connector made by YAMAICHI ELECTRONICS	Adopts NC machine tool
Z	RJ45 connector (water proof) made by YAMAICHI ELECTRONICS	Relay
F	M12 connector (Male) made by Phoenix Contact	Relay/ Waterproofing

CH23 - □□□○▽※

□□□ Cable length

Type	Cable length	Type	Conduit specification
010	1m	C	With conduit (standard)
005	0.5m	N	Without conduit
065	6.5m		
100	10m		

▽ Cable sheath (covering)

Type	Cable specification
V	PVC (Φ6.8) [Scale side]
P	PVC (Φ8) [Controller side]
E	PU (Φ8) [Controller side]

※ Controller side connector

Type	Specification	Remarks
Without	Earth wire	
Z	Open-end	Scale side connector should be 10P JN2 (Female) made by Japan Aviation Electronics Industry or 2P made by TAJIMI ELECTRONICS
None	Standard	Standard
M	10P made by Sumitomo 3M	Mitsubishi NC, J3 (INC serial, ABS)
F	20P straight case made by Honda Tsushin Kogyo	FANUC (INC serial, ABS)
J	S Horizontal drawing case made by HROSE Electric	FANUC (INC serial, ABS)
K	10P JN1 (Male) made by Japan Aviation Electronics Industry	Relay
N	12P R04 (Male) made by TAJIMI ELECTRONICS	Relay (fixed)

＃ Scale side connector

Type	Specification	Remarks
None	Original of Magnescale	Standard
A	10P JN2 (Female) made by Japan Aviation Electronics Industry	Relay
C	12P R04-9125.F8.5 made by TAJIMI ELECTRONICS	Relay (fixed)

CE28 - □□□○※

□□□ Cable length
Written by flush right,
indication in "10 cm" units,
up to 14m, 1m pitch

Type	Cable length
070	7m
090	9m
130	13m

Type	Conduit
C	With conduit (standard)
N	Without conduit

※ Controller side connector

Type	Specification	Remarks
Without	Earth wire	
Without	Open-end	Standard
L	10P made by Sumitomo 3M	Mitsubishi NC, J3 (A/B/Reference)
M	10P made by Sumitomo 3M	Mitsubishi NC, J3 (INC serial, ABS)
E	20P made by Honda Tsushin Kogyo	FANUC (A/B/Reference)
F	20P made by Honda Tsushin Kogyo	FANUC (INC serial, ABS)
Q	20P made by HROSE Electric	FANUC (INC serial, ABS)
G	6P made by molex*	YASKAWA Electric (INC serial, ABS)
J	10P JN1 made by Japan Aviation Electronics Industry	RU77 cable extension (standard)
K	10P JN1 made by Japan Aviation Electronics Industry	RU77 cable extension (standard)

Type	Conduit
C	With conduit (standard)
N	Without conduit

CH33 - □□□○▽※

□□□ Cable length
Written by flush right,
indication in "m" units,
up to 30 m, 1 m pitch

Type	Cable length	Type	Conduit
07	7m	C	With conduit (standard)
26	26m	N	Without conduit

▽ Cable sheath (covering)

Type	Specification
P	PVC (Polyvinyl chloride)
E	PU (Polyurethane)

▽ Cable sheath (covering)

Type	Specification
P	PVC (Polyvinyl chloride)
E	PU (Polyurethane)

※ Controller side connector

Type	Specification	Remarks
Without	Earth wire	
None	Open-end	Standard
A	D-sub 15P	
D	D-sub 9P	
L	10P made by Sumitomo 3M	Mitsubishi NC, J3 (A/B/Reference)
E	20P straight case made by Honda Tsushin Kogyo	FANUC (A/B/Reference)
G	6P made by molex*	YASKAWA Electric, Panasonic (INC serial, ABS)
H	R Horizontal drawing case made by HROSE Electric	FANUC (A/B/Reference)

＃ Scale side connector

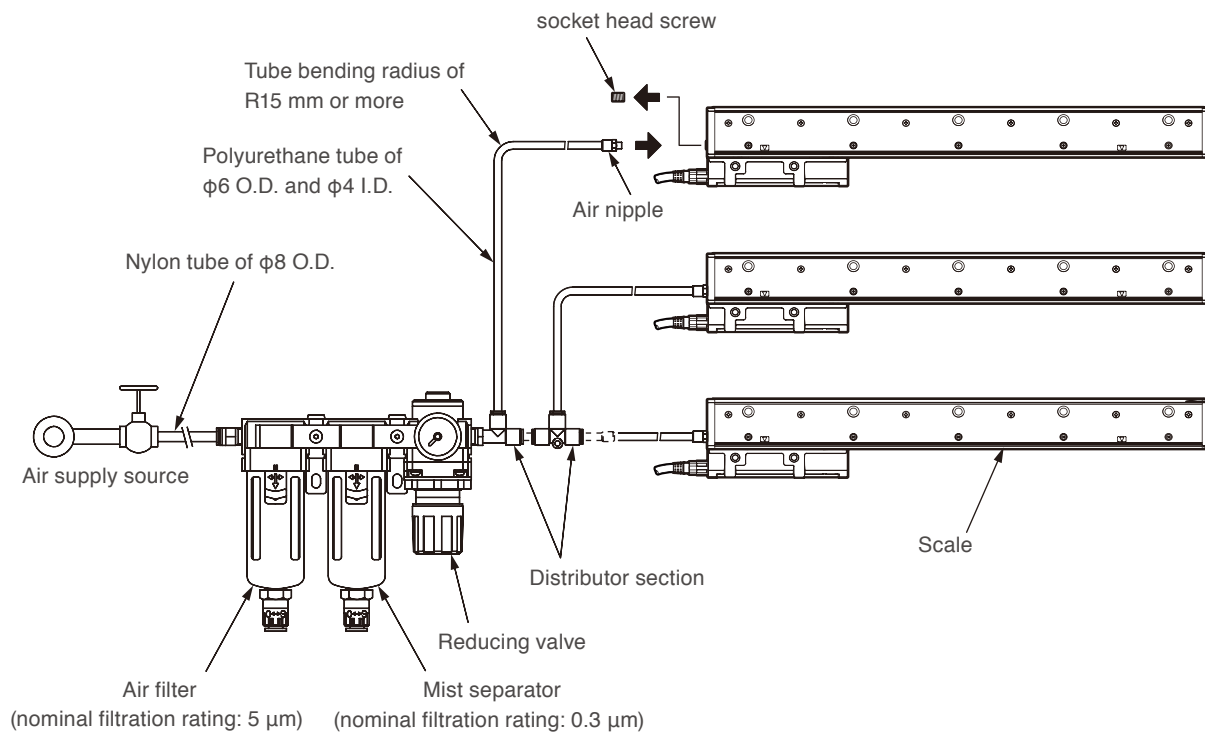
Type	Specification	Remarks
None	Original of Magnescale	Standard

*Relay type cannot be used for A/B/Reference type of SR74 and SR84

Technology

Air purging

If scale is used in a dusty or misty environment, it is recommended that air is introduced into the scale to alleviate any unwanted effects. Attach air nipples to M5 holes for air introduction that are provided at both ends of the scale to supply air into the scale. When introducing air into the scale, supply air via an air filter (nominal filtration rating: 5 μm), mist separator (nominal filtration rating: 0.3 μm), and a regulator to remove dust, dirt, and mist. As a guide, the amount of air supplied to the scale is 10-20 l/min .



Safety

No compromise for high-accuracy products



The total quality control system that operates throughout the entire design and production process ensures products with enhanced safety, high quality, and high reliability that match our customers' requirements. The company is certified for length calibration in compliance with the traceability system required by the "Weights and Measures Act," and has been granted ISO 9001 certification, which is the international standard for quality assurance.



Magnescale Co., Ltd.
is registered to ISO 9001 (Quality)



Our products comply with CE Marking requirements, have acquired UL certifications and meet other regulations, ensuring safe use the world over.

We have met:

- EMC Directives(CE) EMI: EN 55011 Group 1 Class A / 91 EMS: EN 61000-6-2
- FCC regulation FCC Part 15 Subpart B Class A

for Products with built-in AC power supply:

- UL61010-1
- EN61010-1

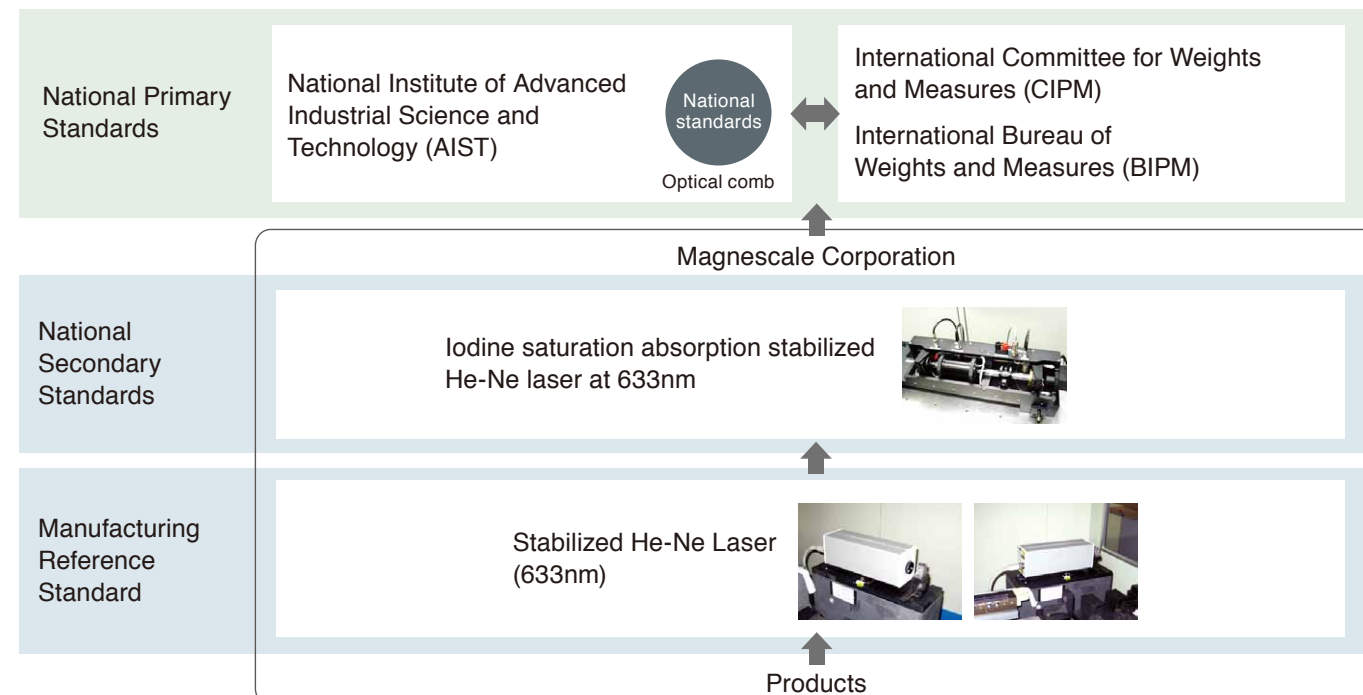
for Products with Laser:

- DHHS (21CFR1040.10)
- IEC60825-1

* When using our devices with machines to which the European Machinery Directive applies, please make sure that the devices when installed on the machines fulfill the applicable requirements of the Directive.
* Standards or regulations to be complied with may vary by product.

Traceability

Traceability Flow Chart (Length)



Functional Safety

Recently, great importance has been placed on human safety around industrial machines and machine tools. In 2010, the European Machinery Directive mandated compliance with functional safety for electrical equipment used in the safety systems of machines subject to the Machinery Directory. These safety demands are anticipated to spread across many additional regions and industries in the future. Magnescale leads the competition with its lineup of feedback scale that have acquired third-party functional safety certification in order to meet global demands for safety.

Certification standards
IEC61508:2010 / EN62061:2005 SIL 2
EN ISO13849-1 Cat. 3 / PL d
EN61800-5-2

Models that have acquired certification

- Angle encoders
RS97-1024EGZ series
RS97-1024NGZ series
RU97-2048 Z series

- Linear encoders
SR27A-AZ series
SR67A-AZ series



* Consult our sales representative for details.