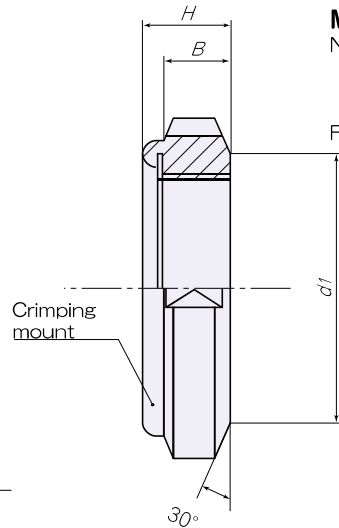
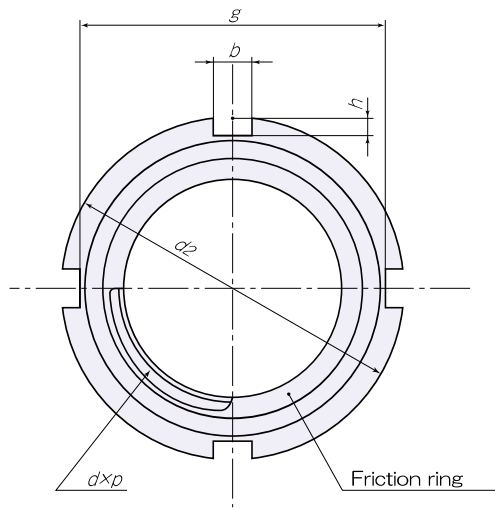


FINE U-NUT Dimension Table



Materials (standard items)

Nut body ... S45C-H
or equivalent
SS 400 or equivalent
SUS304 or equivalent
Friction ring SUS301

Thread accuracy: ISO6H Unit: mm

Part No.			Designation of Thread <i>d</i> × <i>p</i>	<i>d</i> ₁		<i>d</i> ₂		<i>H</i>		<i>B</i>		<i>b</i>		<i>h</i>		<i>g</i>		Perpendicularity of Bearing Surface (max.)	Unit Weight [g]
SC Series (Material S45C-H)	SS Series (Material SS400)	SUS Series (Material SUS304)																	
-	FUNM8SS	-	M 8×0.75	12		16		5.3		4.3	3		1.5	13			4.1		
FUN00SC	FUN00SS	FUN00SUS	M10×0.75	13.5		18		5.2	±0.3	4	3		1.8	14.4			4.5		
FUN01SC	FUN01SS	FUN01SUS	M12×1	17		22		5.4		4	3		1.8	18.4			8		
FUN02SC	FUN02SS	FUN02SUS	M15×1	21		25		6.5		5	4		1.8	21.4			12		
FUN03SC	FUN03SS	FUN03SUS	M17×1	24		28		6.4	±0.5	5	4		1.9	24.2			13		
FUN04SC	FUN04SS	FUN04SUS	M20×1	26		32		7.7		6	4		1.8	28.4			23		
FUN05SC	FUN05SS	FUN05SUS	M25×1.5	32		38		9.1		7	5		2	34		0.05	36		
FUN06SC	FUN06SS	FUN06SUS	M30×1.5	38		45		9.1		7	5		2	41			45		
FUN07SC	FUN07SS	FUN07SUS	M35×1.5	44	0	52		10.2	±0.8	8	5	±0.2	2	48			70		
FUN08SC	FUN08SS	FUN08SUS	M40×1.5	50	-0.5	58		11.2		9	6		2.5	53			95		
FUN09SC	FUN09SS	FUN09SUS	M45×1.5	56		65		12.5		10	6		2.5	60			130		
FUN10SC	FUN10SS	FUN10SUS	M50×1.5	61		70		13.5	±1.0	11	6		2.5	65			160		
FUN11SC	FUN11SS	FUN11SUS	M55×2	67		75		13.5		11	7		3	69			185		
FUN12SC	FUN12SS	FUN12SUS	M60×2	73		80		13.5		11	7		3	74			190		
FUN13SC	FUN13SS	FUN13SUS	M65×2	79		85		15		12	7		3	79			235		
FUN14SC	FUN14SS	FUN14SUS	M70×2	85		92	0	15		12	8		3.5	85	0		265		
FUN15SC	FUN15SS	FUN15SUS	M75×2	90		98	-0.5	15.8		13	8		3.5	91	-0.5		320		
FUN16SC	FUN16SS	FUN16SUS	M80×2	95		105		18.6		15	8		3.5	98			430		
FUN17SC	FUN17SS	FUN17SUS	M85×2	102		110		19.2		16	8		3.5	103		0.07	495		
FUN18SC	FUN18SS	FUN18SUS	M90×2	108		120		20.3		16	10		4	112			630		
FUN19SC	FUN19SS	FUN19SUS	M95×2	113		125		21.3	±1.5	17	10		4	117			725		
FUN20SC	FUN20SS	FUN20SUS	M100×2	120		130		22.3		18	10		4	122			770		
FUN21SC	-	-	M105×2	126		140		22.3		18	12		5	130			904		
FUN22SC	-	-	M110×2	133		145		23.3		19	12		5	135			954		
FUN23SC	-	-	M115×2	137	0	150		23.3		19	12	±0.3	5	140			1030		
FUN24SC	-	-	M120×2	138	-0.75	155		24.3		20	12		5	145			1080		
FUN25SC	-	-	M125×2	148		160		25.4		21	12		5	150			1170		
FUN26SC	-	-	M130×2	149		165		25.4		21	12		5	155			1250		
FUN27SC	-	-	M135×2	160		175		26.6		22	14		6	163		0.10	1586		
FUN28SC	-	-	M140×2	160		180		26.6	±2.0	22	14		6	168			1748		
FUN29SC	-	-	M145×2	171		190		28.6		24	14		6	178			2000		
FUN30SC	-	-	M150×2	171		195		28.3		24	14		6	183			2050		

(Specify Part No. when placing an order.)

*Consult us if left handed screw is needed.

* Consult us if surface treatment is needed.

* Materials include equivalent of each materials.

* Dimensions may change for improvement.