

# PUSHBUTTON SWITCHES

## Series - H2200 Double Pole

## Momentary Snap Action Pushbutton Switches

### FEATURES

- Double pole
- Optional mounting adapters
- Various styles and colors of pushbuttons
- Solder terminals
- Momentary snap action
- Protective shields can be ordered separately to prevent accidental actuation on "W" case model
- Black pushbutton supplied as standard
- Other colors available

### SPECIFICATIONS

- Operating force:  $5.5 \pm 1.5$  lbs (24.2N  $\pm$  6.6N)
- Release force: 1 lb. minimum (.45g)
- Electrical life: 25,000 operations minimum at rated load
- Terminals: Solder
- Weight approx.: .05 lb. (.023g)



### CURRENT RATINGS

Catalog Number	Number of Poles	Type of Operation	28VDC Inductive	120VAC Inductive <sup>①</sup>
H2211	2	Momentary	10	10
H2222	2	Momentary	10	10
H2266	2	Momentary	10	10

<sup>①</sup> p.f.=.75

### SELECTION TABLE

#### SERIES AND TYPE

	Part Number	Circuit	Adapter Type <sup>①</sup> and Color <sup>③</sup>			Pushbutton Type and Color			
			Type	Color	Code Suffix	Type <sup>②</sup>	Color	Code Suffix	
 H2211PB3 With "P" Adapter	H2211	2 P.S.T.-NO Double Break	TYPE P	Black Clear	PB P	NO. 2	Red Black	2R 2	
	H2222	2 P.S.T.-NC Double Break							
 H2266 Without Mounting Adapter	H2266	2 P.D.T. Double Break	TYPE PA	Black Clear	PAB PA	NO. 3	Red Black	3R 3	
			TYPE U	Black Clear	UB U				
			TYPE W	Black Clear	WB W	NO. 4	Red Black	4R 4	

<sup>①</sup> Clear anodized aluminum is standard. All threads are 1/2"-32 NS-2B internal; 5/8"-24 NEF-2A external except as noted.

<sup>②</sup> The different pushbutton types are only available when using with one of the 4 different adapters.

<sup>③</sup> When used with any of these adapters the switch can be used as part of the UPA group of switches on pages B16 and B17.

### WHEN ORDERING SPECIFY...

- For switch with pushbutton only - specify catalog number of base switch followed by code for pushbutton color. Use code R for red and leave blank if black button is desired. Examples:

**H 2 2 1 1 R**

PLUNGER COLOR

BASIC SWITCH

- For switch with mounting adapter - specify catalog number of base switch followed by suffix letters and numbers for type and color of adapter and pushbutton. Example:

**H 2 2 6 6 P B 3 R**

BUTTON COLOR

BUTTON STYLE

ADAPTER COLOR

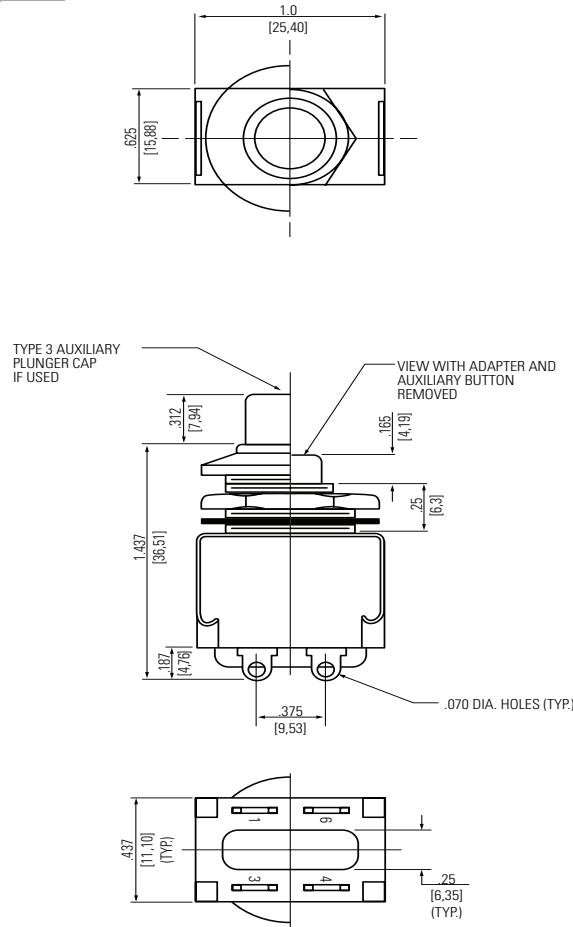
ADAPTER TYPE

BASE SWITCH AND CIRCUIT

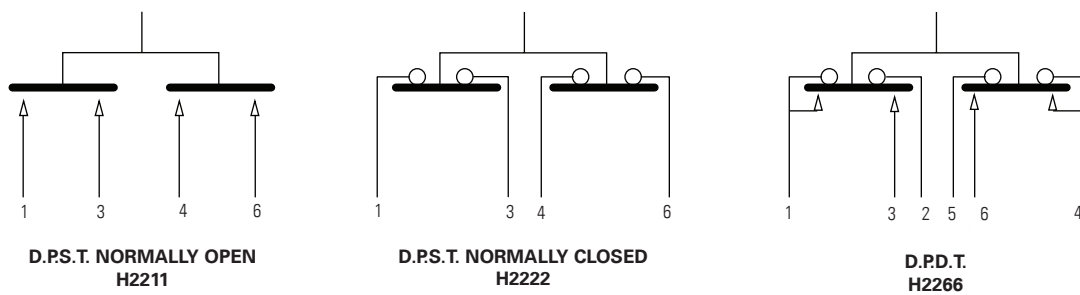
# Series - H2200 Double Pole

# PUSHBUTTON SWITCHES Momentary Snap Action Pushbutton Switches

## APPROXIMATE DIMENSIONS - H2200



## BASIC SWITCH AND SCHEMATIC DIAGRAM



**STANDARD**  
0.00 = inches  
[0,0] = mm

Dimensions for reference only.