



Manual pulser box made of synthetic material  
Protection class IP 65  
Manual pulser with 25 or 100 pulses/revolution  
Switch for axis selection "X, Y, Z, 4"  
Switch for factor "x1, x10, x100"



## Handy Pulser EHP-L/LO

Teach-in hand-held box, manual pulse generator

### Type explanation

#### EHP L-4-0100-05-DSK2m

Encoder type	Incremental
Number of channels	2 = A + B 4 = AA + BB
Resolutions	0025 = 25 Impulse pro Umdrehung 0100 = 100 Impulse pro Umdrehung
Supply voltage	05 = 5 VDC $\pm 5\%$ (Output D) 12 = 5 ... 12 VDC $\pm 5\%$ (Output R)
Output driver	D-RS422 R

## Technical data

### Mechanical data

Graduation	1%
Rotational speed	? 600 min <sup>-1</sup>
Torque	3 ... 6 Ncm
shaft loading	20 N radial 10 N axial
Weight	0,4 kg

### Environmental conditions

Vibration	150 ms <sup>-2</sup> (55 Hz / 2h)
Shock	490 ms <sup>-2</sup> (11 ms)
Operating temperature	-10 ... +60°C
Storage temperature	-30 ... +80°C
Atmospheric humidity	? 90% r.h.
Protection class	IP 65

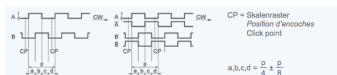
### Electrical data

Scanning type	Optical, without contact
Transmitter, infrared	LED
Receiver	Photo-Transistor
Supply voltage	V <sub>cc</sub> = 5 VDC ±5%, Output D V <sub>cc</sub> = 5 ... 12 VDC, Output R
Power consumption	60 mA typ.
Signal level	High > V <sub>cc</sub> -1 V Low < 0,5 V (20 mA)
Load capacity of the outputs	20 mA

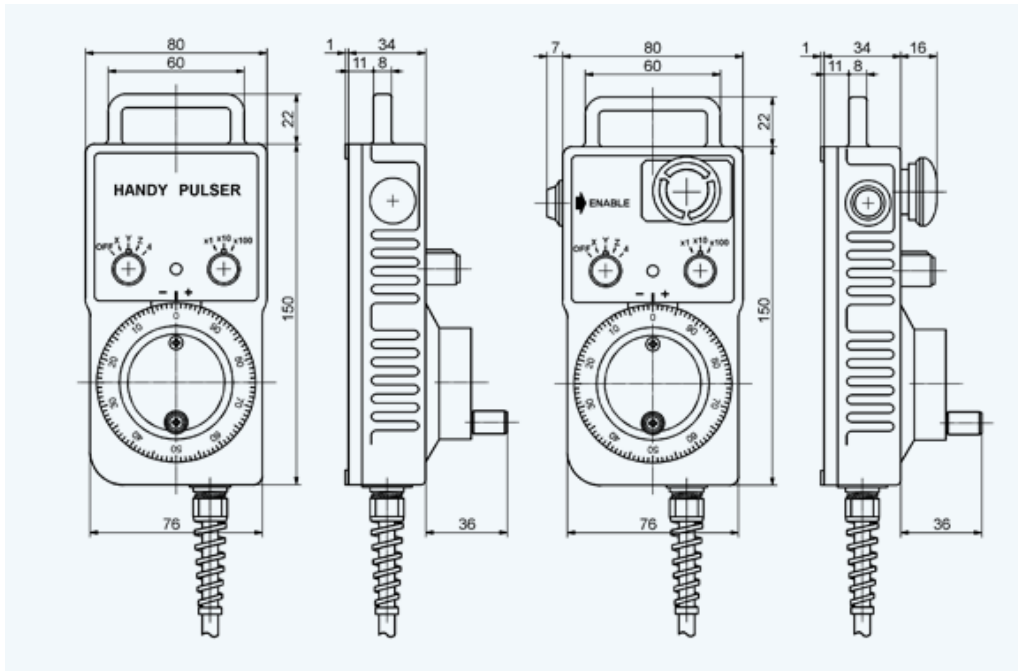
## Output driver



## Output channels / Output signals



## Outline drawing



Version E 510A-911 · Subject to change

INDUcoder® · INDUcoder Messtechnik GmbH, Kaiserstraße 316, 47178 Duisburg, Deutschland  
Tel: (0203) 57047-0, Fax: (0203) 57047-20, E-Mail: [info@inducoder.de](mailto:info@inducoder.de), Internet:  
[www.inducoder.de](http://www.inducoder.de)