

HITACHI MULTIPOINT FIBER OPTIC ROTARY JOINT



HITACHI MULTIPOINT FIBEROPTIC ROTARY JOINT is the most suitable device to connect rotating apparatus with stationary apparatus in the fiberoptic transmission system.

FEATURES

- 4~12 ports are available.
- Free from rotating direction and transmitting direction.
- Compatible with standard optical fiber and connectors.(FC or ST Type)

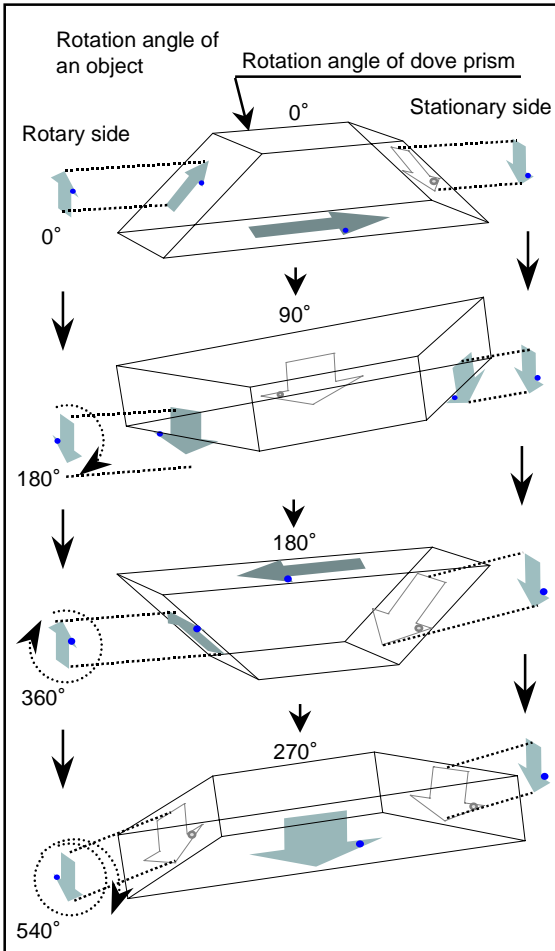
APPLICATIONS

- Data transmission for carriers as cranes, stackers, reclaimers, unloaders, etc.
- Fiber optic transmission for rotating heads of robots and machine tools.

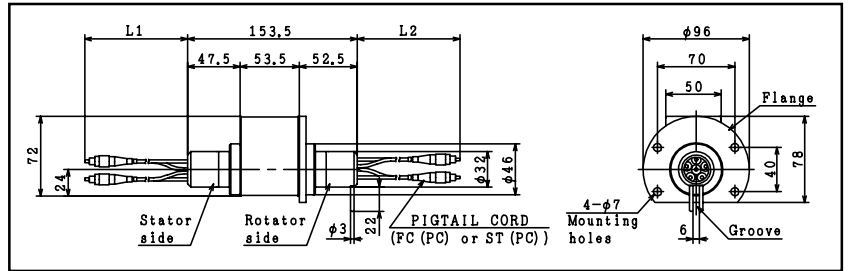
SPECIFICATIONS

| | | | | | |
|-------------------------------|-------------------------------|--------|--------|----|----|
| Port number | 4 | 6 | 8 | 10 | 12 |
| Type of optical fiber | GI-50/125 or GI-62.5/125 | | | | |
| Operating wavelength | 0.85 μ m or 1.3 μ m | | | | |
| Insertion loss | Max 2.0dB | | | | |
| Inter channel crosstalk | \geq 50dB | | | | |
| Type of fiber optic connector | FC Type or ST Type | | | | |
| Rotation speed | MAX 100 r.p.m | | | | |
| Duration | MAX 10 ⁷ rotations | | | | |
| Size | Pigtail | Type A | — | | |
| | Adaptor | Type B | Type C | | |

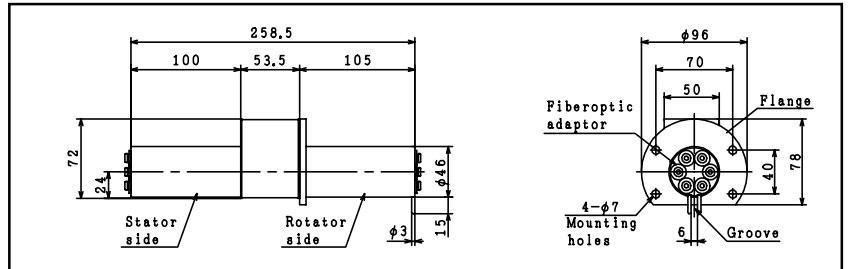
PRINCIPLE



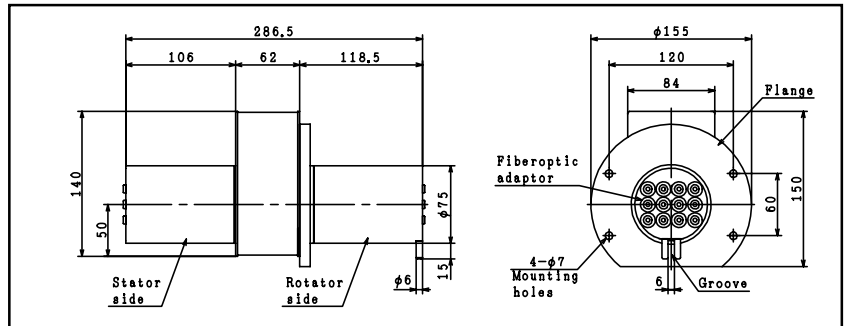
DIMENSIONS



Type-A

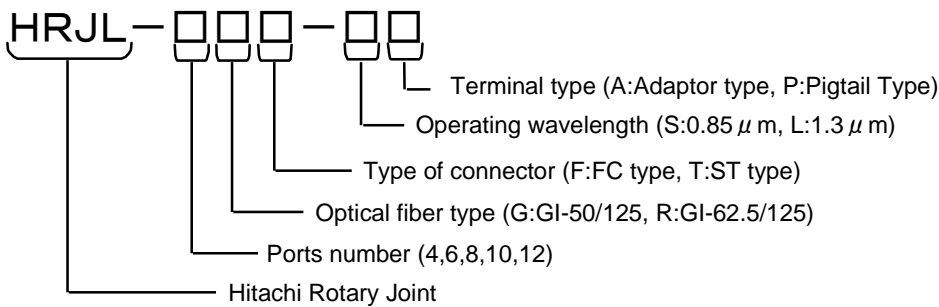


Type-B



Type-C

DESIGNATION



(Note) Specifications subject to change without notice for improvement.

<CAUTION IN EXPORTATION>

Export of the Products listed in this Catalogue is/are controlled by the Government of Japan and therefore, an application should be made prior to the export.

Hitachi Cable, Ltd.

Head Office
Otemachi Building, 1-6-1 Otemachi, Chiyoda-ku,
Tokyo 100-8166 JAPAN
Phone+81-3-3216-1616

Information Systems Group
Optical Fiber Design Department
Takasago Works, 880 Isagozawa-cho, Hitachi-shi,
Ibaraki-ken 319-1418 JAPAN
Phone +81-294-42-5971

TD28-2990