

Hub City IndustrialLine™ Bearing Units

**Over 200
NEW items
in this section!**



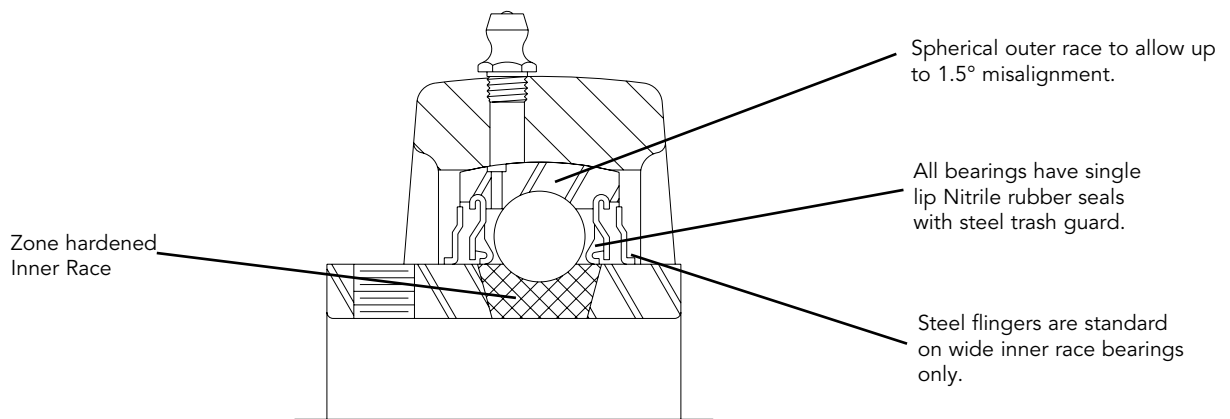
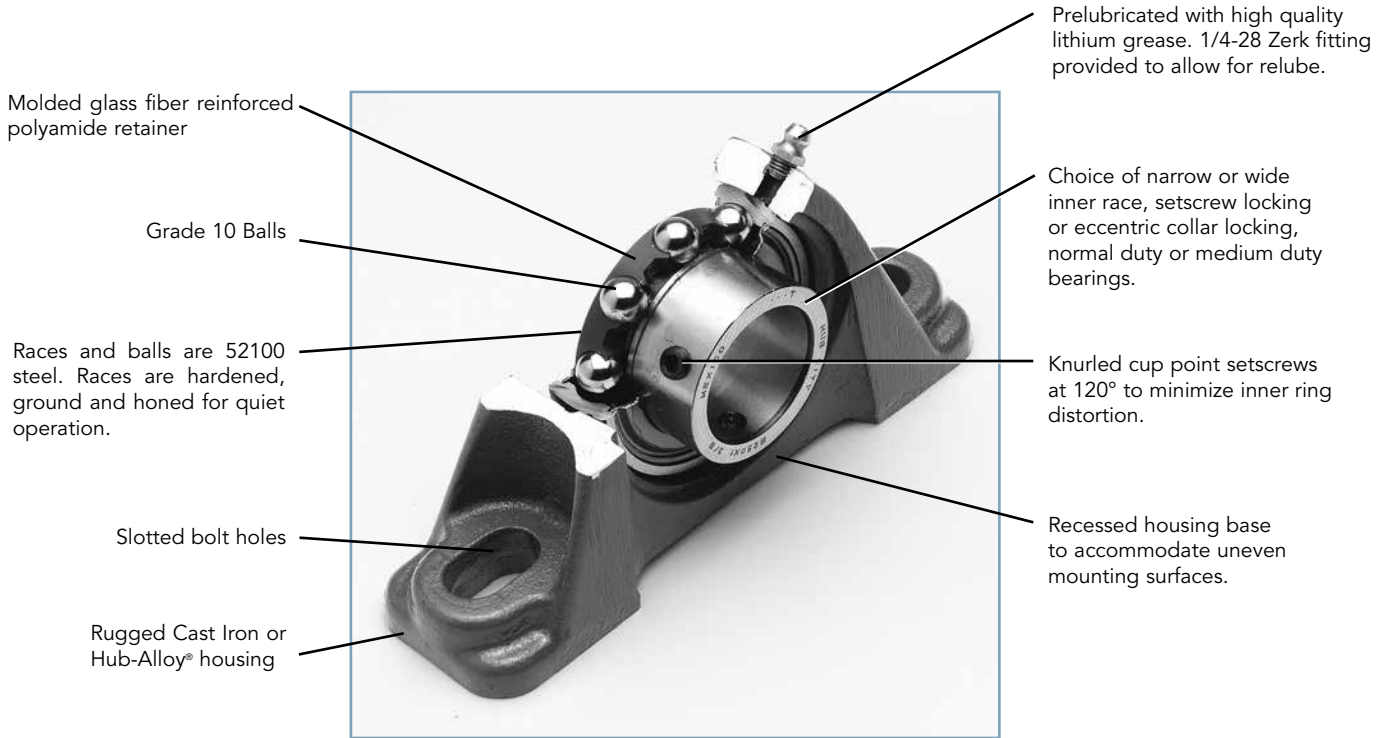
Mounted Bearing Features Index	M-1
Features Index	M-4
Engineering and Selection — Ball Bearing Units	M-6
NEW - HVAC Air Handling Bearings	M-8
100 Series Pillow Blocks	M-10
100 Series Flange Blocks	M-11
100 & 200 Series Load Ratings	M-14
200 Series Pillow Blocks	M-15
200 Series Flange Blocks	M-23
200 Series Flange Brackets & Flange Cartridges	M-27
200 Series Take Up Units	M-28
Take-Up Frames — Ball Bearing Units	M-32
Ball Bearing Inserts	M-35
350 Series Load Ratings	M-37
350 Series Bearings.	M-38
Interchange Comparisons — Ball Bearing Units	M-42

**For Stainless Steel &
Thermoplastic Composite Bearings**
See
Section O

Hub City IndustriaLine™ Bearing Units

Hub City offers a wide range of products in the IndustriaLine™ mounted ball bearing product line. These include pillow blocks, 2, 3 and 4 hole flange blocks, 4 hole piloted flange cartridges, and wide slot and narrow slot take-up units. Ball bearing units are available with

setscrew locking or eccentric locking collar, with narrow inner race or wide inner race, with normal duty or medium duty bearings. Housings are available in gray cast iron or Hub-Alloy®. Refer to Features Index for description of specific units.



Typical Cross Section

(Continued on next page)

DOWNLOAD AVAILABLE CAD MODELS AT: WWW.HUBCITYINC.COM

Certified prints are available upon request

CALL: (605) 225-0360 • FAX: (605) 225-0567

Bearings

Bearings have spherical outer races to accommodate up to 1.5° misalignment. Races and balls are made of SAE 52100 vacuum degassed bearing quality steel. Ball retainers are made of molded, glass fiber reinforced polyamide. Races are hardened, ground and honed for quiet operation, and Grade 10 balls are used. Inner races are zone hardened in the ball raceway and seal contact areas. The setscrew end is unhardened to prevent cracking at the setscrew threads. Setscrews are located at 120° to minimize inner ring distortion, and have knurled cup point to resist loosening under vibration. Seals have a nitrile rubber lip bonded to a steel trash

guard.. The positive contact, low friction seal rides on the precision ground surface of the inner race. Wide inner race bearings also have steel flingers that rotate with the inner race to provide extra protection. All ball bearings are prelubricated with high quality lithium grease. Hub City bearings have an operating temperature range of -25° F to 225° F.

Housing

Housings for Hub City bearing units are precision machined from rugged cast iron or high strength Hub-Alloy® castings.

Hub-Alloy® is a cast ferrous material this is manufactured in a carefully controlled process to produce properties exceeding the specifications listed below. Hub-Alloy® can be used to replace malleable iron or ductile iron. It is recommended for severe applications where the stronger material is required to withstand heavy loads imposed on the housing. Hub-Alloy® has tensile strength properties in the range 50-65,000 psi, yield strength in the range 32-45,000 psi, and elongation in the range 10-12%. Specific properties of particular housings vary according to the configuration of the housing.

Cast iron housings meet or exceed the requirements of SAE G3000 gray iron. Typical tensile strength is 30,000 psi.

Special Modications

Hub City can furnish modified or special units to suit customer requirements. Typical modifications include:

- Housing modifications
- Special grease types
- Dust caps
- Auxiliary anti-rotation devices
- Custom bearing units with special housings and/or bearings

Modified or special units may be subject to increased lead time and minimum production order quantities.

Hub City IndustriaLine™ Bearing Units

Features Index



Ball Bearing Pillow Blocks

SERIES	RATING TABLES	OUTLINE DIMENSIONS	SHAFT LOCKING	BEARING LUBRICATION	BACKING HEIGHT	HOUSING MATERIAL	SIZE RANGE	INTERCHANGE REFERENCE
PB120	Page M-14	Page M-10	Eccentric Collar	Relube	High	HUB-ALLOY®	1/2 - 1-7/16	Page M-42
PB150	Page M-14	Page M-10	Setscrew	Relube	High	HUB-ALLOY®	1/2 - 1-7/16	Page M-42
PB220	Page M-14	Page M-15	Eccentric Collar	Relube	Low	Cast Iron	1/2 - 2-7/16	Page M-43
PB221	Page M-14	Page M-15	Eccentric Collar	Relube	High	Cast Iron	1/2 - 2-7/16	Page M-43
PB220W	Page M-14	Page M-16	Eccentric Collar	Relube	Low	Cast Iron	3/4 - 2-7/16	Page M-43
PB221W	Page M-14	Page M-16	Eccentric Collar	Relube	High	Cast Iron	3/4 - 2-7/16	Page M-43
PB220HW	Page M-14	Page M-17	Eccentric Collar	Relube	Low	HUB-ALLOY®	3/4 - 2-7/16	Page M-43
PB221HW	Page M-14	Page M-17	Eccentric Collar	Relube	High	HUB-ALLOY®	3/4 - 2-7/16	Page M-43
PB250	Page M-14	Page M-18	Setscrew	Relube	Low	Cast Iron	1/2 - 2-15/16	Page M-43
PB251	Page M-14	Page M-18	Setscrew	Relube	High	Cast Iron	1/2 - 2-15/16	Page M-43
PB250W	Page M-14	Page M-19	Setscrew	Relube	Low	Cast Iron	5/8 - 2-7/16	Page M-43
PB251W	Page M-14	Page M-19	Setscrew	Relube	High	Cast Iron	5/8 - 2-7/16	Page M-43
PB250HW	Page M-14	Page M-20	Setscrew	Relube	Low	HUB-ALLOY®	5/8 - 2-7/16	Page M-43
PB251HW	Page M-14	Page M-20	Setscrew	Relube	High	HUB-ALLOY®	5/8 - 2-7/16	Page M-43
PB281WAH	Page M-14	Page M-8	Concentric	Relube	High	Cast Iron	3/4 - 2-7/16	
TPB220	Page M-14	Page M-21	EccLock	Relube	Tapped Base	Cast Iron	1/2 - 2-3/16	Page M-42
TPB220W	Page M-14	Page M-21	EccLock	Relube	Tapped Base	Cast Iron	5/8 - 2-3/16	Page M-42
TPB250	Page M-14	Page M-22	Setscrew	Relube	Tapped Base	Cast Iron	1/2 - 2-3/16	Page M-42
TPB250W	Page M-14	Page M-22	Setscrew	Relube	Tapped Base	Cast Iron	5/8 - 2-3/16	Page M-42
PB350	Page M-37	Page M-38	Setscrew	Relube	High	Cast Iron	1 - 3-1/2	Page M-45
PB350H	Page M-37	Page M-39	Setscrew	Relube	High	HUB-ALLOY®	1 - 3-1/2	Page M-45

DOWNLOAD AVAILABLE CAD MODELS AT: WWW.HUBCITYINC.COM

Certified prints are available upon request

CALL: (605) 225-0360 • FAX: (605) 225-0567

Hub City IndustrialLine™ Bearing Units

Features Index

IndustrialLine™ Bearings



Ball Bearing Flange Blocks & Flange Cartridges

SERIES	RATING TABLES	OUTLINE DIMENSIONS	SHAFT LOCKING	BEARING LUBRICATION	FLANGE STYLE	HOUSING MATERIAL	SHAFTSIZE RANGE	INTERCHANGE REFERENCE
FB110	Page M-14	Page M-11	Setscrew	Non-Relube	2-Hole	HUB-ALLOY®	1/2 - 1-7/16	Page M-42
FB120	Page M-14	Page M-12	Eccentric Collar	Relube	3-Hole	HUB-ALLOY®	1/2 - 1-7/16	Page M-42
FB130	Page M-14	Page M-12	Eccentric Collar	Relube	2-Hole	HUB-ALLOY®	1/2 - 1-7/16	Page M-42
FB150	Page M-14	Page M-13	Setscrew	Relube	3-Hole	HUB-ALLOY®	1/2 - 1-7/16	Page M-42
FB 160	Page M-14	Page M-13	Setscrew	Relube	2-Hole	HUB-ALLOY®	1/2 - 1-7/16	Page M-42
FB220	Page M-14	Page M-23	Eccentric Collar	Relube	4-Hole	Cast Iron	1/2 - 2-7/16	Page M-44
FB220HW	Page M-14	Page M-24	Eccentric Collar	Relube	4-Hole	HUB-ALLOY®	3/4 - 2-7/16	Page M-44
FB230	Page M-14	Page M-23	Eccentric Collar	Relube	2-Hole	Cast Iron	1/2 - 2-3/16	Page M-44
FB230HW	Page M-14	Page M-24	Eccentric Collar	Relube	2-Hole	HUB-ALLOY®	3/4 - 2-7/16	Page M-44
FB250	Page M-14	Page M-25	Setscrew	Relube	4-Hole	Cast Iron	1/2 - 2-15/16	Page M-44
FB250HW	Page M-14	Page M-26	Setscrew	Relube	4-Hole	HUB-ALLOY®	5/8 - 2-7/16	Page M-44
FB260	Page M-14	Page M-25	Setscrew	Relube	2-Hole	Cast Iron	1/2 - 2-3/16	Page M-44
FB260HW	Page M-14	Page M-26	Setscrew	Relube	2-Hole	HUB-ALLOY®	5/8 - 2-7/16	Page M-44
FB280HWAH	Page M-14	Page M-8	Concentric	Relube	4-Hole	HUB-ALLOY®	3/4 - 2-7/16	-
FB290HWAH	Page M-14	Page M-9	Concentric	Relube	2-Hole	HUB-ALLOY®	3/4 - 2-7/16	-
FC250	Page M-14	Page M-27	Setscrew	Relube	4-Hole Piloted	Cast Iron	1/2 - 2-7/16	-
FR250W	Page M-14	Page M-27	Setscrew	Relube	3-Hole Bracket	Cast Iron	3/4 - 2s	-
FB350	Page M-37	Page M-38	Setscrew	Relube	4-Hole	Cast Iron	1 - 3-1/2	Page M-46
FB350H	Page M-37	Page M-39	Setscrew	Relube	4-Hole	HUB-ALLOY®	1 - 3-1/2	Page M-46
FC350	Page M-37	Page M-40	Setscrew	Relube	4-Hole Piloted	Cast Iron	1-1/4 - 3-1/2	Page M-46

Ball Bearing Take-Up Units

SERIES	RATING TABLES	OUTLINE DIMENSIONS	SHAFT LOCKING	BEARING LUBRICATION	SLOT WIDTH	HOUSING MATERIAL	SHAFT SIZE RANGE	INTERCHANGE REFERENCE
TU220	Page M-14	Page M-28	Eccentric Collar	Relube	Standard	Cast Iron	1/2 - 2-7/16	Page M-45
TU220W	Page M-14	Page M-29	Eccentric Collar	Relube	Standard	Cast Iron	3/4 - 2-7/16	Page M-45
TU250	Page M-14	Page M-28	Setscrew	Relube	Standard	Cast Iron	1/2 - 2-7/16	Page M-45
TU250W	Page M-14	Page M-29	Setscrew	Relube	Standard	Cast Iron	5/8 - 2-7/16	Page M-45
WSTU220	Page M-14	Page M-30	Eccentric Collar	Relube	Wide Slot	Cast Iron	3/4 - 2-7/16	Page M-45
WSTU250	Page M-14	Page M-30	Setscrew	Relube	Wide Slot	Cast Iron	3/4 - 2-7/16	Page M-45
WSTU220W	Page M-14	Page M-31	Eccentric Collar	Relube	Wide Slot	Cast Iron	1-7/16 - 3	Page M-45
WSTU250W	Page M-14	Page M-31	Setscrew	Relube	Wide Slot	Cast Iron	1-7/16 - 3	Page M-45
TU350	Page M-37	Page M-40	Setscrew	Relube	Standard	Cast Iron	1-7/16 - 3	-
WSTU350	Page M-37	Page M-41	Setscrew	Relube	Wide Slot	Cast Iron	1-7/16 - 3	-

* WIDE SLOT UNITS AVAILABLE ON MADE-TO-ORDER BASIS.

DOWNLOAD AVAILABLE CAD MODELS AT: WWW.HUBCITYINC.COM

Certified prints are available upon request

EMAIL: hubsales@regalbeloit.com • www.hubcityinc.com



Hub City IndustriaLine™ Bearing Units

Engineering and Selection Information

Maximum Speed

Maximum speed limits listed for the ball bearing products described in this catalog should be used as a guide and considered along with other factors affecting bearing operation. Load characteristics, bearing lubrication, and temperature factors all influence bearing operation. It is possible that cataloged speed limits may be exceeded after a complete application analysis is completed by factory engineers.

Bearing Life

Bearing life is commonly referred to in terms of the number of hours of operation at a given speed, that 90% of the bearings in a lot can equal or exceed before the onset of fatigue failure. This is called the L-10 life of a bearing.

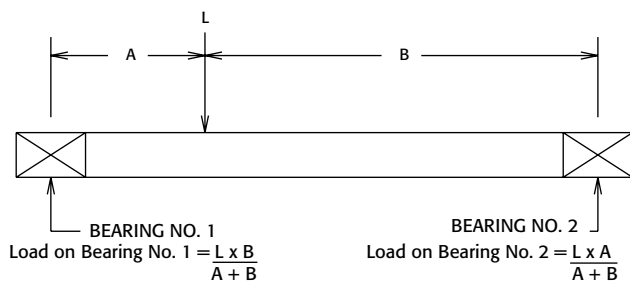
The ball bearing unit load ratings published in this catalog are based upon AFBMA Standard Section 9, Load Ratings and Fatigue Life Ratings for Ball Bearings and are the steady radial loads at which the bearings will endure at various speeds for 500 hours L-10 life, or 2,500 hours average life (average life is considered to be 5 times L-10 life).

Bearing Loads

Radial loads and thrust force in combination are the principal load components of bearing applied loads. Hub City ball bearing unit ratings are based upon the radial load capacity of the bearing. For applications where bearings are required to absorb thrust forces in addition to normal radial loads, the following considerations must be made concerning the magnitude of the thrust force.

1. When thrust loads are less than 1/2 of the radial load – the equivalent load should be considered the same as the radial load and the selection made based upon the applied radial load.
2. When thrust loads are equal to or greater than 1/2 of the radial load – the equivalent load is determined by adding the radial and thrust loads together. The bearing selection is based upon using this total load as the equivalent applied radial load.

If thrust loads are equal to or exceed the radial loads, consult the factory.



Bearing Selection

Selection of the proper Hub City bearing unit for a determined speed and load can be made by referring to the load rating tables. Proper selection is made by finding a bearing having the desired bore size which has a load rating equal to or greater than the radial or equivalent radial load required for the application.

Engineering Data

Bearing reaction loads are caused by forces acting on the shaft supported by the bearings. These forces are a result of the weight of the shafting and components mounted on the shafting, bending loads due to belt or chain pull, gear reaction loads, and off center or unbalanced loads. These loads must be combined into a single resultant load of known magnitude and direction for each bearing.

Whether the load is applied between bearings on a shaft supported by two bearings or outboard of one of the bearings is important to proper bearing selection. The magnitude and direction of the load for either case may be calculated by taking moments about the other bearing.

Selection Example 1:

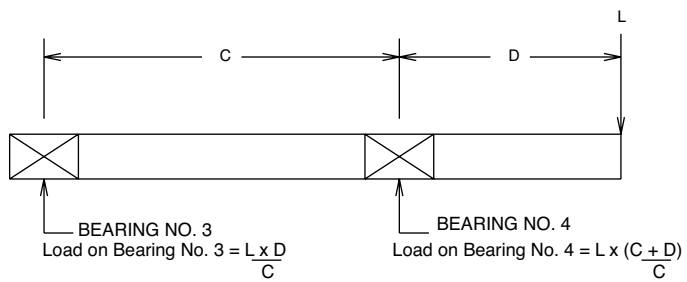
Radial Load Service Life Expectancy Selection

Select a mounted bearing pillow block unit to meet the following application requirements:

- a. Shaft diameter of 1 inch
- b. Shaft speed is 1500 RPM.
- c. Radial load requirement is 850 Lbs.
- d. Life requirement is 1000 hours L-10 (5000 hours average life)

Step 1.

From the rating tables on pages M-14 and M-37, locate the one inch shaft diameter line and follow that line to the right to the 1500 RPM column. Note that the radial load capacity for 100 Series bearings and 200 Series bearings (ratings, page M-14) is 890 pounds. The radial load capacity for 350 Series bearings (ratings, page M-37) is 1230 pounds.



WHEN COMBINATION FORCES OR UNBALANCED LOADS ARE PRESENT, BEARING REACTION LOAD CALCULATIONS SHOULD BE REVIEWED WITH FACTORY ENGINEERING.

L = APPLIED EQUIVALENT LOAD

DOWNLOAD AVAILABLE CAD MODELS AT: WWW.HUBCITYINC.COM

Certified prints are available upon request

Hub City IndustrialLine™ Bearing Units

Engineering and Selection Information

Selection Example 1:

Radial Load Service Life Expectancy Selection (cont.)

Step 2.

The published radial load capacities are based on an L-10 life of 500 hours and must be modified to suit the application requirement of 1000 hours L-10 life by using the proper multiplier from the chart below each rating table. Calculate the equivalent radial load capacity for 1000 hours L-10 life expectancy as follows:

For 100 or 200 Series Units

890	Lbs. radial capacity
x .794	1000 hours L-10 life factor
<u>707</u>	Lbs. radial capacity for 1000 hours L-10 life

For 350 Series: Units

1230	Lbs. radical capacity
x .794	1000 hours L-10 life factor
<u>977</u>	Lbs. radical capacity for 1000 hours L-10 life

Step 3.

The application radial load requirement of 850 pounds is greater than the radial load capacity for 1000 hours L-10 life for the 100 or 200 Series bearing units. The radial load capacity of the 350 Series bearing unit is 977 pounds and is greater than the application requirement of 650 pounds. A 350 Series bearing unit is the proper selection.

Since a mounted bearing pillow block is required, a 350 Series pillow block with 1 inch bore should be specified.

Selection Example 2:

Combination Radial and Thrust Load Requirement

Select a Hub City mounted bearing flange block to meet the following conditions:

- Shaft diameter is 1-3/16.
- A combination load is applied consisting of:
 - Radial load 400 pounds
 - Thrust load is 250 pounds
- Shaft speed is 500 RPM
- The L-10 life requirement is 500 hours (2500 hours average life)

Step 1.

From the load rating tables, M-14 and M-37, locate the 1-3/16 inch shaft size line and follow this line to the right to the 500 RPM column. The radial load capacity for 100 Series (page M-14) and 200 Series (page M-14) bearing units is 1780 pounds.

The radial load capacity for 350 Series (page M-37) bearing units is 2330 pounds.

Step 2.

Since the application L-10 life requirement of 500 hours is what the catalog rating charts are based on there's no need to apply further modifying factors.

Step 3.

Because the applied thrust load of 250 pounds is more than half of the applied radial load of 400 pounds, these loads must be added together to obtain the equivalent radial load requirement.

Equivalent Radial Load = 400 Lbs. + 250 Lbs. = 650 Lbs.

Step 4.

The equivalent radial load requirement of 650 pounds is less than the catalog radial load capacity for 100 Series, 200 Series, or 350 Series bearing units.

The application requirement is for a flange block unit. A choice must be made as to whether a 2-bolt, 3-bolt, or 4-bolt flange is desired.

The proper selection can then be made based on the preference for housing material (gray iron, or HUB-ALLOY®) and type of shaft locking preference (setscrew or eccentric collar locking) and whether a non-relube or relube type bearing is required.

For Lubrication and Mounting Instructions, Refer to section 5

DOWNLOAD AVAILABLE CAD MODELS AT: WWW.HUBCITYINC.COM

Certified prints are available upon request

EMAIL: hubsales@regalbeloit.com • www.hubcityinc.com

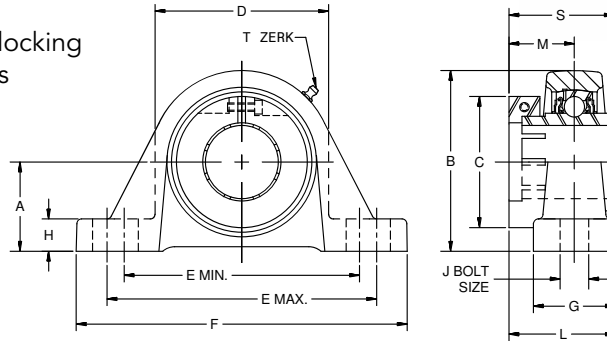


Hub City IndustriaLine™ Bearing Units

HVAC Cast Iron Pillow Blocks

Series PB281WAH HVAC Bearing Units - for High Shaft Heights

- Squeeze lock collar for concentric 360 degree locking
- HVAC quality bearing insert with grade 10 balls
- Superfinished raceways
- Anti-rotation pins
- Air handling fit in housing
- Precision bored cast iron housing
- Wide inner race
- Nitrile rubber seals with steel flingers
- Prelubricated at factory with premium grease
- Noise tested



SHAFT SIZE	DIMENSIONS														WT. LBS.
	A	B	C	D	E		F	G	H	J	L	M	S		
					MIN.	MAX.									
3/4	1.313	2.563	1.756	2.250	3.250	4.125	5.125	1.375	0.563	0.375	1.453	0.87	1.37	2.0	
1	1.438	2.750	1.937	2.500	3.500	4.500	5.500	1.500	0.625	0.375	1.578	0.95	1.51	2.5	
1-3/16, 1-1/4S	1.688	3.250	2.185	3.000	4.250	5.125	6.375	1.750	0.750	0.500	1.813	0.03	1.65	3.1	
1-1/4, 1-7/16	1.875	3.688	2.575	3.438	4.688	5.500	6.750	1.875	0.688	0.500	1.937	1.18	1.87	4.2	
1-1/2	2.000	4.000	2.693	3.875	5.125	5.938	7.125	1.875	0.813	0.500	2.219	1.36	2.11	4.9	
1-11/16, 1-3/4	2.125	4.250	2.933	4.125	5.375	6.250	7.375	2.000	0.813	0.500	2.250	1.37	2.12	5.5	
1-15/16	2.250	4.500	3.386	4.313	5.813	6.750	8.375	2.000	0.813	0.625	2.438	1.52	2.27	6.5	
2, 2-3/16	2.500	5.000	3.504	4.750	6.438	7.375	9.000	2.250	0.938	0.625	2.531	1.56	2.43	8.8	
2-7/16	2.750	5.563	4.055	5.250	6.750	8.125	9.625	2.500	1.188	0.625	2.812	1.85	2.85	11.5	

Part Numbers are specified by "PB281WAH" and Bore Size. Example: PB281WAH x 3/4.
For Load Ratings, see page M-14.

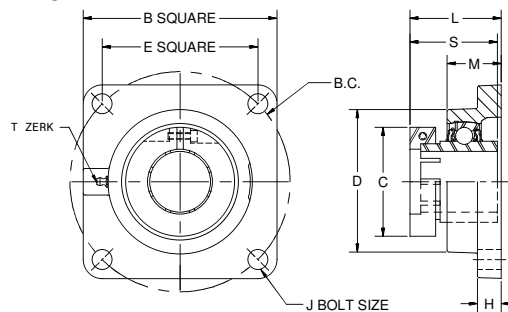
For replacement inserts use B280WAH bearing inserts. See page M-9.

T-Zerk: 1/4-28 Taper (up thru 1-1/4S), 1/8 NPT on all larger units

HVAC Four-Hole Flange Blocks

Series FB280WAH HVAC Bearing Units

- Squeeze lock collar for concentric 360 degree locking
- HVAC quality bearing insert with grade 10 balls
- Superfinished raceways
- Anti-rotation pins
- Air handling fit in housing
- Precision bored Cast Iron housing
- Nitrile rubber seals with steel flingers
- Prelubricated at factory with premium grease
- Wide inner race
- Noise tested



SHAFT SIZE	DIMENSIONS											WT. LBS.
	B	B.C.	C	D	E	H	J	L	M	S		
3/4	3.375	3.531	1.756	2.500	2.500	0.438	0.375	1.344	0.891	1.281	1.5	
1	3.750	3.891	1.937	2.750	2.750	0.500	0.438	1.500	0.953	1.438	1.8	
1-3/16, 1-1/4S	4.250	4.594	2.185	3.125	3.250	0.531	0.438	1.625	1.078	1.562	2.8	
1-1/4, 1-7/16	4.625	5.125	2.575	3.625	3.625	0.594	0.500	1.813	1.156	1.750	3.9	
1-1/2	5.125	5.656	2.693	4.125	4.000	0.625	0.500	2.078	1.297	2.000	5.2	
1-11/16, 1-3/4	5.375	5.828	2.933	4.375	4.125	0.625	0.563	2.078	1.328	2.000	5.5	
1-15/16	5.625	6.188	3.386	4.938	4.375	0.625	0.630	2.219	1.359	2.094	6.2	
2, 2-3/16	6.380	7.250	3.504	5.250	5.125	0.813	0.630	2.375	1.516	2.250	8.5	
2-7/16	6.890	7.938	4.055	5.438	5.625	0.813	0.630	2.750	1.688	2.625	10.8	

Part Numbers are specified by "FB280HWAH" and Bore Size. Example: FB280HWAH x 3/4.

For replacement inserts use B280WAH bearing inserts. See page M-9.

For Load Ratings, see page M-14.

T-Zerk: 1/4-28 Taper (up thru 1-1/4S), 1/8 NPT on all larger units

DOWNLOAD AVAILABLE CAD MODELS AT: WWW.HUBCITYINC.COM

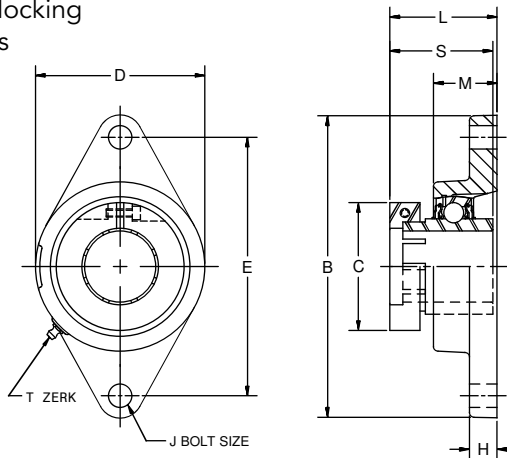
Certified prints are available upon request

Hub City IndustrialLine™ Bearing Units

HVAC Two-Hole Flange Blocks

Series FB290WAH HVAC Bearing Units

- Squeeze lock collar for concentric 360 degree locking
- HVAC quality bearing insert with grade 10 balls
- Superfinished raceways
- Anti-rotation pins
- Air handling fit in housing
- Precision bored Cast Iron housing
- Nitrile rubber seals with steel flingers
- Prelubricated at factory with premium grease
- Wide inner race
- Noise tested



IndustrialLine™ Bearings



SHAFT SIZE	DIMENSIONS										WT. LBS.
	B	C	D	E	H	J	L	M	S		
3/4	4.406	1.756	2.500	3.531	0.438	0.375	1.344	0.891	1.281	1.1	
1	4.875	1.937	2.750	3.891	0.500	0.438	1.500	0.953	1.438	1.3	
1-3/16, 1-1/4S	5.563	2.185	3.125	4.594	0.531	0.438	1.625	1.078	1.562	2.0	
1-1/4, 1-7/16	6.125	2.575	3.625	5.125	0.594	0.500	1.813	1.156	1.750	3.0	
1-1/2	6.750	2.693	4.125	5.656	0.625	0.500	2.078	1.297	2.000	3.3	
1-11/16, 1-3/4	7.125	2.933	4.375	5.828	0.625	0.563	2.078	1.328	2.000	4.0	
1-15/16	7.438	3.386	4.938	6.188	0.625	0.630	2.219	1.359	2.094	4.2	
2, 2-3/16	8.500	3.504	5.250	7.250	0.813	0.630	2.375	1.516	2.250	7.1	
2-7/16	9.688	4.055	5.438	7.938	0.813	0.630	2.750	1.688	2.625	7.8	

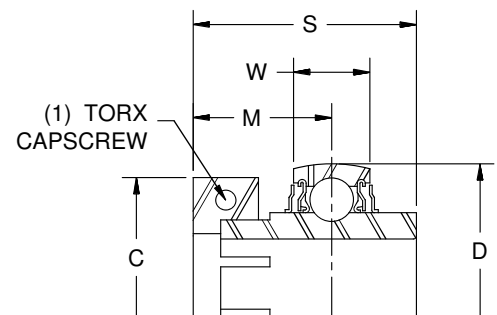
Part Numbers are specified by "FB290HWAH" and Bore Size. Example: FB290HWAH x 3/4.
For Load Ratings, see page M-14.

For replacement inserts use B280WAH bearing inserts. See below.
T-Zerk: 1/4-28 Taper (up thru 1-1/4S), 1/8 NPT on all larger units

HVAC Bearing Inserts

Series B280WAH

SHAFT SIZE	DIMENSIONS						WT LBS
	C	D	M	S	W	TORX CAPSCREW	
3/4	1.750	1.8504	0.781	1.281	0.594	T-25	0.3
7/8, 1	1.938	2.0472	0.875	1.438	0.594	T-25	0.4
1-1/8, 1-3/16, 1-1/4S	2.188	2.4409	0.938	1.562	0.709	T-25	0.6
1-1/4, 1-3/8, 1-7/16	2.500	2.8346	1.062	1.750	0.750	T-27	1.0
1-1/2	2.688	3.1496	1.250	2.000	0.875	T-27	1.3
1-11/16, 1-3/4	2.938	3.3465	1.250	2.000	0.875	T-27	1.6
1-7/8, 1-15/16, 2S	3.375	3.5433	1.344	2.094	0.906	T-30	1.7
2, 2-3/16	3.562	3.9370	1.375	2.250	0.984	T-30	2.4
2-7/16	4.125	4.3307	1.625	2.625	1.063	T-45	3.0



Part Numbers are specified by "B280WAH" and Bore Size. Example: B280WAH x 3/4. Used in PB281WAH, FB280HWAH, and FB290HWAH units.

DOWNLOAD AVAILABLE CAD MODELS AT: WWW.HUBCITYINC.COM

Certified prints are available upon request

EMAIL: hubsales@regalbeloit.com • www.hubcityinc.com

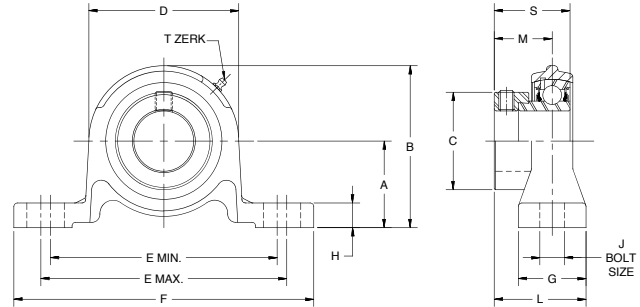


Hub City IndustriaLine™ Bearing Units

Hub-Alloy® Pillow Blocks

Series PB120

- Relube type. Prelubricated at factory
- Eccentric lock collar
- Self-aligning replaceable bearing
- Nitrile rubber seals with steel trash guard
- Precision bored high strength HUB ALLOY® housing



SHAFT SIZE	DIMENSIONS													WT. LBS.
	A	B	C	D	E		F	G	H	J	L	M	S	
					MIN.	MAX.								
1/2, 5/8	1.188	2.156	1.188	2.13	3.156	3.719	4.438	1.000	0.344	0.375	1.375	0.875	1.188	0.7
3/4	1.313	2.438	1.312	2.40	3.469	4.031	4.750	1.063	0.375	0.375	1.453	0.922	1.266	0.9
7/8, 1	1.438	2.688	1.500	2.56	3.656	4.219	5.000	1.125	0.406	0.375	1.484	0.922	1.266	1.1
1-1/8, 1-3/16, 1-1/4S	1.688	3.156	1.750	3.00	4.375	5.063	5.938	1.313	0.406	0.500	1.703	1.047	1.422	1.6
1-1/4, 1-3/8, 1-7/16	1.875	3.563	2.188	3.43	4.656	5.344	6.250	1.375	0.438	0.500	1.844	1.156	1.578	2.4

Part Numbers are specified by "PB120" and Bore Size; Example: PB120 x 1-1/8.

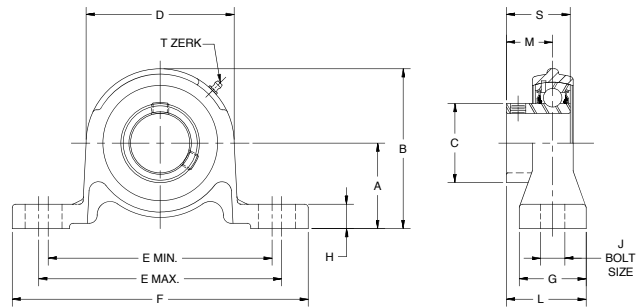
For Load Ratings, see page M-14.

For replacement inserts use B220 Bearing Inserts, see page M-35.

T-Zerk: 1/4-28 Taper

Series PB150

- Relube type. Prelubricated at factory
- Setscrew locking
- Self-aligning replaceable bearing
- Nitrile rubber seals with steel trash guard
- Precision bored high strength HUB ALLOY® housing



SHAFT SIZE	DIMENSIONS													WT. LBS.
	A	B	C	D	E		F	G	H	J	L	M	S	
					MIN.	MAX.								
1/2, 5/8	1.188	2.156	0.969	2.130	3.156	3.719	4.438	1.000	0.344	0.375	1.125	0.630	0.938	0.7
3/4	1.313	2.438	1.188	2.400	3.469	4.031	4.750	1.063	0.375	0.375	1.250	0.719	1.063	0.9
7/8, 15/16, 1	1.438	2.688	1.375	2.560	3.656	4.219	5.000	1.125	0.406	0.375	1.328	0.766	1.109	1.1
1-1/8, 1-3/16, 1-1/4S	1.688	3.156	1.594	3.000	4.375	5.063	5.938	1.313	0.406	0.500	1.438	0.781	1.156	1.6
1-1/4, 1-3/8, 1-7/16	1.875	3.563	1.859	3.430	4.656	5.344	6.250	1.375	0.438	0.500	1.549	0.859	1.281	2.4

Part Numbers are specified by "PB150" and Bore Size; Example: PB150 x 1-1/8.

For Load Ratings, see page M-14.

For replacement inserts use B250 Bearing Inserts, see page M-35.

T-Zerk: 1/4-28 Taper

DOWNLOAD AVAILABLE CAD MODELS AT: WWW.HUBCITYINC.COM

Certified prints are available upon request

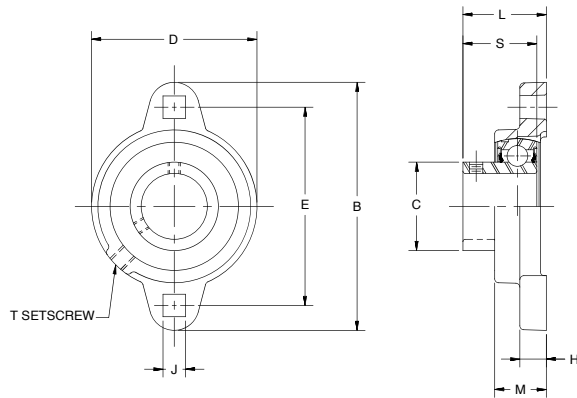
CALL: (605) 225-0360 • FAX: (605) 225-0567

Hub City IndustrialLine™ Bearing Units

Hub-Alloy® Flange Blocks

FB110 Two-Hole Flange Block

- Non-relube type. Prelubricated at factory
- Setscrew locking
- Self-aligning replaceable bearing
- Nitrile rubber seals with steel trash guard
- Precision bored high strength HUB-ALLOY® housing



SHAFT SIZE	DIMENSIONS										WT. LBS.
	B	C	D	E	H	J	L	M	S		
1/2, 5/8	3.19	0.969	2.20	2.50	0.38	0.28	1.000	0.71	0.938	0.6	
3/4	3.54	1.188	2.40	2.82	0.43	0.34	1.152	0.79	1.062	0.8	
7/8, 1	3.74	1.375	2.52	2.99	0.43	0.34	1.199	0.79	1.110	0.8	
1-1/8, 1-3/16, 1-1/4S	4.45	1.594	2.99	3.56	0.47	0.41	1.253	0.89	1.156	1.1	
1-1/4, 1-3/8, 1-7/16	4.80	1.859	3.50	3.94	0.51	0.41	1.371	0.94	1.281	1.5	

Part Numbers are specified by "FB110" and Bore Size; Example: FB110 x 1/2.

For Load Ratings, see page M-14. For Comparison Charts, see page M-36.

For replacement inserts use B250 Bearing Inserts, see page M-35.

T-Set Screw: 1/4-28

Dimensions shown are for reference only.

DOWNLOAD AVAILABLE CAD MODELS AT: WWW.HUBCITYINC.COM

Certified prints are available upon request

EMAIL: hubsales@regalbeloit.com • www.hubcityinc.com



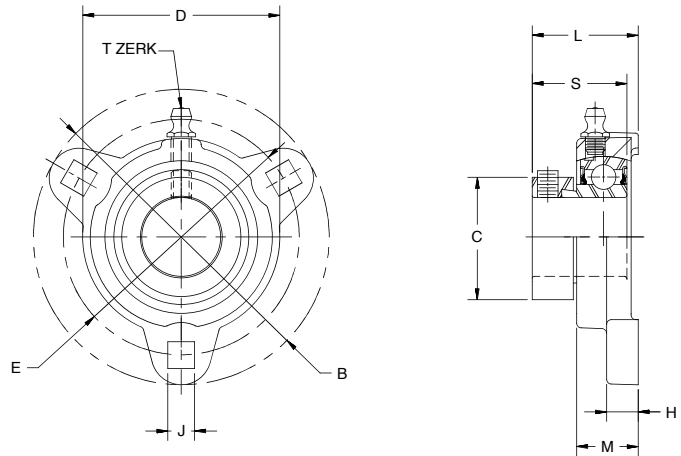
Hub City IndustriaLine™ Bearing Units

Hub-Alloy® Flange Blocks

Series FB120, FB130

FB120 Three-Hole Flange Block

- Relube type. Prelubricated at factory
- Eccentric locking collar
- Self-aligning replaceable bearing
- Nitrile rubber seals with steel trash guard
- Precision bored high strength HUB-ALLOY® housing



SHAFT SIZE	DIMENSIONS									
	B	C	D	E	H	J	L	M	S	WT. LBS.
1/2, 5/8	3.19	1.188	1.93	2.500	0.39	0.28	1.269	0.69	1.188	0.6
3/4	3.56	1.312	2.44	2.811	0.39	0.34	1.355	0.79	1.266	0.8
7/8, 1	3.75	1.500	2.83	3.000	0.47	0.34	1.327	0.79	1.266	0.8
1-1/8, 1-3/16, 1-1/4S	4.44	1.750	3.31	3.563	0.47	0.41	1.519	0.87	1.422	1.1
1-1/4, 1-3/8, 1-7/16	4.80	2.188	3.54	3.937	0.53	0.41	1.687	0.94	1.578	1.7

Part Numbers are specified by "FB120" and Bore Size; Example: FB120 x 3/4.

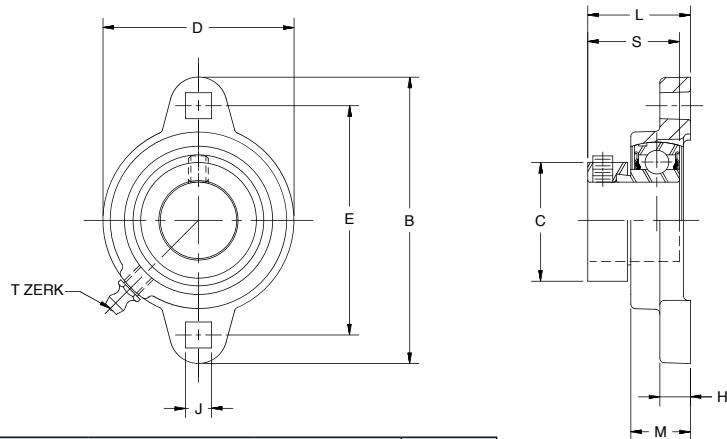
For Load Ratings, see page M-14. For Comparison Charts, see page M-42.

For replacement inserts use B220 Bearing Inserts, see page M-35.

T-Zerk: 1/4-28 Taper

FB130 Two-Hole Flange Block

- Relube type. Prelubricated at factory
- Eccentric locking collar
- Self-aligning replaceable bearing
- Nitrile x seals with steel trash guard
- Precision bored high strength HUB-ALLOY® housing



SHAFT SIZE	DIMENSIONS									
	B	C	D	E	H	J	L	M	S	WT. LBS.
1/2, 5/8	3.19	1.188	2.20	2.500	0.38	0.28	1.250	0.71	1.188	0.6
3/4	3.54	1.312	2.40	2.815	0.43	0.34	1.355	0.79	1.266	0.8
7/8, 1	3.74	1.500	2.52	2.992	0.43	0.34	1.355	0.79	1.266	0.8
1-1/8, 1-3/16, 1-1/4S	4.45	1.750	2.99	3.560	0.47	0.41	1.519	0.89	1.422	1.1
1-1/4, 1-3/8, 1-7/16	4.80	2.188	3.50	3.937	0.51	0.41	1.668	0.94	1.578	1.5

Part Numbers are specified by "FB130" and Bore Size; Example: FB130 x 3/4.

For Load Ratings, see page M-14. For Comparison Charts, see page M-42.

For replacement inserts use B220 Bearing Inserts, see page M-35.

T-Zerk: 1/4-28 Taper

Dimensions shown are for reference only.

DOWNLOAD AVAILABLE CAD MODELS AT: WWW.HUBCITYINC.COM

Certified prints are available upon request

CALL: (605) 225-0360 • FAX: (605) 225-0567

Hub City IndustrialLine™ Bearing Units

Hub-Alloy® Flange Blocks

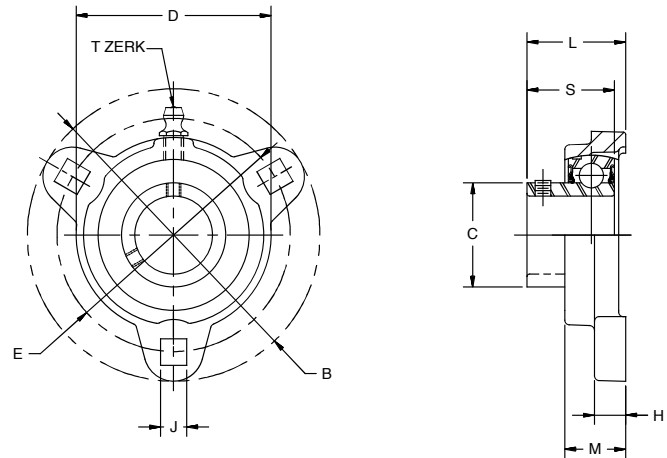
IndustrialLine™ Bearings



Series FB150, FB160

FB150 Three-Hole Flange Block

- Relube type. Prelubricated at factory
- Setscrew locking
- Self-aligning replaceable bearing
- Nitrile rubber seals with steel trash guard
- Precision bored high strength HUB-ALLOY® housing



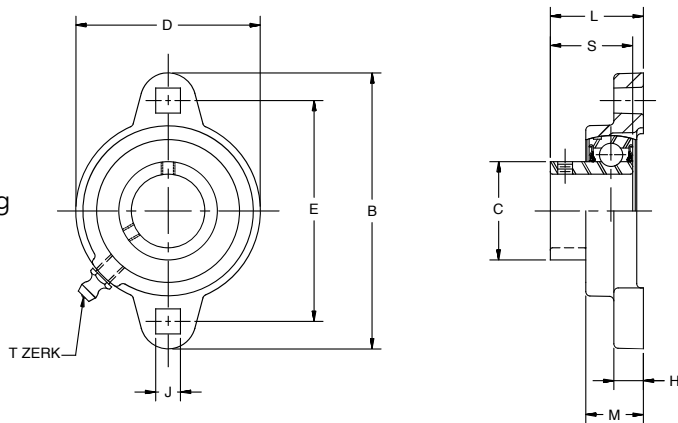
SHAFT SIZE	DIMENSIONS									WT. LBS.
	B	C	D	E	H	J‡	L	M	S	
1/2, 5/8	3.190	0.969	1.93	2.500	0.39	0.28	1.020	0.69	0.938	0.6
3/4	3.560	1.188	2.44	2.811	0.39	0.34	1.152	0.79	1.062	0.8
7/8, 1	3.750	1.375	2.83	3.000	0.47	0.34	1.171	0.79	1.110	0.8
1-1/8, 1-3/16, 1-1/4S	4.440	1.594	3.31	3.563	0.47	0.41	1.253	0.87	1.156	1.1
1-1/4, 1-3/8, 1-7/16	4.800	1.859	3.54	3.937	0.53	0.41	1.390	0.94	1.281	1.7

Part Numbers are specified by "FB150" and Bore Size; Example: FB150 x 3/4.
 ‡ Holes are cast, some variation may be expected.
 For Load Ratings, see page M-14. For Comparison Charts, see page M-42.

For replacement inserts use B250 Bearing Inserts, see page M-35.
 T-Zerk: 1/4-28 Taper

FB160 Two-Hole Flange Block

- Relube type. Prelubricated at factory
- Setscrew locking
- Self-aligning replaceable bearing
- Nitrile rubber seals with steel trash guard
- Precision bored high strength HUB-ALLOY® housing



SHAFT SIZE	DIMENSIONS									WT. LBS.
	B	C	D	E	H	J‡	L	M	S	
1/2, 5/8	3.19	0.969	2.20	2.500	0.38	0.28	1.000	0.71	0.938	0.6
3/4	3.54	1.188	2.40	2.815	0.43	0.34	1.152	0.79	1.062	0.8
7/8, 1	3.74	1.375	2.52	2.992	0.43	0.34	1.199	0.79	1.110	0.8
1-1/8, 1-3/16, 1-1/4S	4.45	1.594	2.99	3.560	0.47	0.41	1.253	0.89	1.156	1.1
1-1/4, 1-3/8, 1-7/16	4.80	1.859	3.50	3.937	0.51	0.41	1.371	0.94	1.281	1.5

Part Numbers are specified by "FB160" and Bore Size; Example: FB160 x 3/4.
 ‡ Holes are cast, some variation may be expected.
 For Load Ratings, see page M-14. For Comparison Charts, see page M-42.

For replacement inserts use B250 Bearing Inserts, see page M-35.
 T-Zerk: 1/4-28 Taper

Dimensions shown are for reference only.

DOWNLOAD AVAILABLE CAD MODELS AT: WWW.HUBCITYINC.COM

Certified prints are available upon request

EMAIL: hubsales@regalbeloit.com • www.hubcityinc.com



Hub City IndustriaLine™ Bearing Units

Series 100, 200 - Ratings

SHAFT SIZE (INCHES)	BASIC DYNAMIC RATING	BASIC STATIC RATING	BEARING RADIAL LOAD CAPACITY IN POUNDS BASED ON L-10 LIFE OF 500 HOURS AND STEADY LOAD CONDITIONS (2500 HOURS AVERAGE LIFE)							
			BEARING SPEED — REVOLUTIONS PER MINUTE (RPM)							
			100	500	1,000	1,500	2,000	2,500	3,000	3,500
1/2, 5/8	2,110	1,120	1,460	860	680	590	540	500	470	450
3/4	2,610	1,440	1,810	1,060	840	740	670	620	580	560
7/8, 15/16, 1	2,800	1,650	1,950	1,140	900	790	720	670	630	600
1-1/8, 1-3/16, 1-1/4S	4,380	2,570	3,040	1,780	1,410	1,230	1,120	1,040	980	930
1-1/4, 1-3/8, 1-7/16	5,780	3,490	4,010	2,350	1,860	1,630	1,480	1,360	1,290	---
1-1/2	7,340	4,470	5,100	2,980	2,370	2,070	1,880	1,750	1,650	---
1-5/8, 1-11/16, 1-3/4	7,900	5,140	5,480	3,210	2,540	2,220	2,020	1,880	---	---
1-15/16, 2S	7,890	5,220	5,480	3,200	2,540	2,220	2,020	1,870	---	---
2, 2-3/16	9,750	6,600	6,770	3,960	3,140	2,740	2,490	---	---	---
2-1/4, 2-7/16	11,790	8,150	8,190	4,790	3,800	3,320	3,020	---	---	---
2-15/16	14,840	11,220	10,300	6,020	4,780	4,170	---	---	---	---

Maximum Recommended Speeds:*

- 1-7/16 and smaller — 3,500 R.P.M.
- 1-1/2 – 1-3/4 — 3,000 R.P.M.
- 1-7/8 – 2-7/16 — 2,500 R.P.M.
- 2-15/16 — 1,800 R.P.M.

For ultimate life, snug fit or light press on shaft should be used.
Recommended Operating Temperature Range: -25° to +225°F.

For Applications not covered in the table above, consult the factory.

TO MODIFY THE ABOVE RATINGS FOR OTHER L-10 LIFE REQUIREMENTS OR FOR SHOCK LOADS MULTIPLY THE ABOVE RATINGS BY THE FACTOR FROM THIS CHART														
LOAD CONDITIONS	MODIFICATION FACTORS FOR L-10 SERVICE LIFE AND LOAD CONDITIONS:													
	L-10 LIFE (HOURS)													
	500	700	1,000	1,500	2,000	3,000	4,000	5,000	7,000	10,000	15,000	20,000	30,000	50,000
Steady Load	1.00	.894	.794	.694	.630	.550	.500	.464	.415	.368	.322	.292	.255	.215
Light Shock	.90	.804	.715	.624	.567	.495	.450	.418	.373	.331	.290	.263	.230	.194
Moderate Shock	.70	.626	.556	.485	.441	.385	.350	.325	.290	.258	.225	.205	.179	.151

Dimensions shown are for reference only.

DOWNLOAD AVAILABLE CAD MODELS AT: WWW.HUBCITYINC.COM

Certified prints are available upon request

CALL: (605) 225-0360 • FAX: (605) 225-0567

Hub City IndustrialLine™ Bearing Units

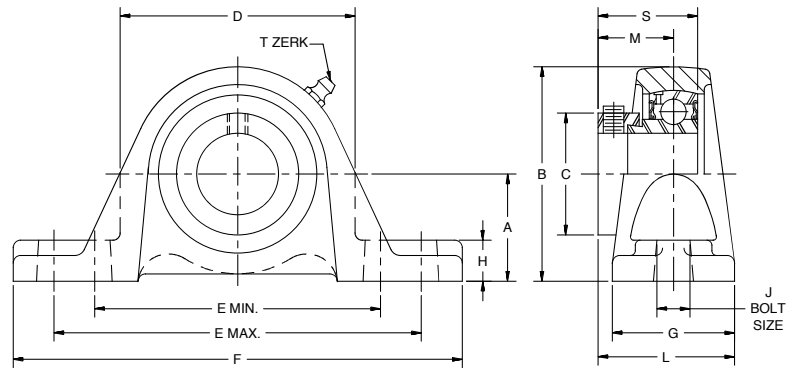
Cast Iron Pillow Blocks

IndustrialLine™ Bearings



Series PB220, PB221

- Relube type. Prelubricated at factory
- Eccentric locking collar
- Self-aligning replaceable bearing
- Nitrile rubber seals with steel trash guard
- Precision bored Cast Iron housing



NOTE: BEARINGS WITH ECCENTRIC LOCKING COLLARS ARE NOT RECOMMENDED FOR USE IN REVERSING APPLICATIONS.

PB220 Series – For Low Shaft Heights

SHAFT SIZE	DIMENSIONS														WT. LBS.
	A	B	C	D	E		F	G	H	J	L	M	S		
					MIN.	MAX.									
1/2, 5/8	1.063	2.094	1.188	1.938	3.125	4.125	4.875	1.219	0.344	0.375	1.485	0.875	1.188	1.0	
3/4	1.250	2.469	1.313	2.250	3.469	4.281	5.000	1.344	0.469	0.375	1.594	0.922	1.266	1.4	
1	1.313	2.688	1.500	2.500	3.688	4.562	5.500	1.406	0.469	0.375	1.625	0.922	1.266	1.7	
1-1/8, 1-3/16, 1-1/4S	1.563	3.156	1.750	3.000	4.188	5.063	6.188	1.750	0.531	0.500	1.922	1.047	1.422	2.8	
1-1/4, 1-3/8, 1-7/16	1.813	3.625	2.188	3.438	4.625	5.375	6.750	1.750	0.656	0.500	2.031	1.156	1.578	3.7	
1-1/2	1.938	3.938	3.375	3.875	4.875	5.875	7.125	1.938	0.750	0.500	2.250	1.282	1.766	4.8	
1-11/16, 1-3/4	2.063	4.188	2.500	4.125	5.438	5.875	7.375	2.000	0.688	0.500	2.281	1.282	1.766	5.6	
1-15/16	2.188	4.500	2.750	4.313	5.875	6.813	8.000	2.188	0.688	0.625	2.375	1.282	1.781	6.2	
2, 2-3/16	2.438	4.906	3.000	4.750	6.563	7.313	8.813	2.313	0.813	0.625	2.594	1.437	1.984	7.9	
2-7/16	2.688	5.500	3.375	5.250	6.875	7.938	9.500	2.375	0.813	0.625	2.700	1.511	2.091	10.0	

Part Numbers are specified by "PB220" and Bore Size;
Example: PB220 x 1-7/16.

For replacement inserts use B220 Bearing Inserts, see page M-35.
T-Zerk: 1/4-28 Taper (up thru 1-1/4S), 1/8 NPT on all larger units

For Load Ratings, see page M-14. For Comparison Charts, see page M-43.

PB221 Series – For High Shaft Heights

SHAFT SIZE	DIMENSIONS														WT. LBS.
	A	B	C	D	E		F	G	H	J	L	M	S		
					MIN.	MAX.									
1/2, 5/8	1.188	2.219	1.188	1.938	3.125	4.125	4.875	1.219	0.469	0.375	1.485	0.875	1.188	1.0	
3/4	1.313	2.219	1.313	2.250	3.469	4.281	5.000	1.344	0.531	0.375	1.594	0.922	1.266	1.5	
1	1.438	2.688	1.500	2.500	3.688	4.562	5.500	1.406	0.594	0.375	1.625	0.922	1.266	1.8	
1-1/8, 1-3/16, 1-1/4S	1.688	3.281	1.750	3.000	4.188	5.063	6.188	1.750	0.656	0.500	1.922	1.047	1.422	2.9	
1-1/4, 1-3/8, 1-7/16	1.875	3.688	2.188	3.438	4.625	5.375	6.750	1.750	0.719	0.500	2.031	1.156	1.578	3.8	
1-1/2	2.000	4.000	3.375	3.875	4.875	5.875	7.125	1.938	0.813	0.500	2.250	1.282	1.766	5.0	
1-11/16, 1-3/4	2.125	4.250	2.500	4.125	5.438	5.875	7.375	2.000	0.750	0.500	2.281	1.282	1.766	5.7	
1-15/16	2.250	4.563	2.750	4.313	5.875	6.813	8.000	2.188	0.750	0.625	2.375	1.282	1.781	6.3	
2, 2-3/16	2.500	4.969	3.000	4.750	6.563	7.313	8.813	2.313	0.875	0.625	2.594	1.437	1.984	8.1	
2-7/16	2.750	5.563	3.375	5.250	6.875	7.938	9.500	2.375	0.875	0.625	2.700	1.511	2.091	10.5	

Part Numbers are specified by "PB221" and Bore Size; Example: PB221 x 1-1/2.
For Load Ratings, see page M-14. For Comparison Charts, see page M-43.

For replacement inserts use B220 Bearing Inserts, see page M-35.
T-Zerk: 1/4-28 Taper (up thru 1-1/4S), 1/8 NPT on all larger units

Dimensions shown are for reference only.

DOWNLOAD AVAILABLE CAD MODELS AT: WWW.HUBCITYINC.COM

Certified prints are available upon request

EMAIL: hubsales@regalbeloit.com • www.hubcityinc.com

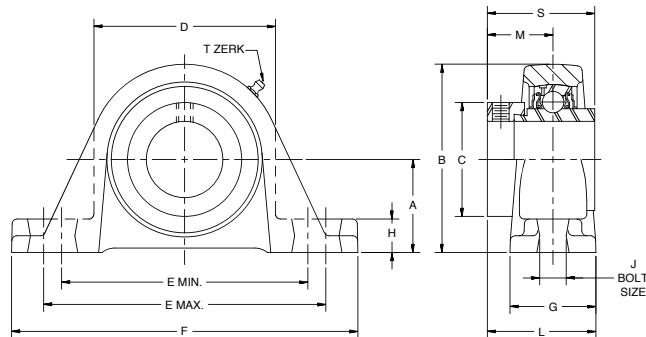


Hub City IndustriaLine™ Bearing Units

Cast Iron Pillow Blocks

Series PB220W, PB221W

- Relube type. Prelubricated at factory
- Eccentric locking collar
- Self-aligning replaceable bearing
- Nitrile rubber seals with steel flingers
- Precision bored Cast Iron housing
- Wide inner race



NOTE: BEARINGS WITH ECCENTRIC LOCKING COLLARS ARE NOT RECOMMENDED FOR USE IN REVERSING APPLICATIONS.

PB220W Series – For Low Shaft Heights

SHAFT SIZE	DIMENSIONS													WT. LBS.
	A	B	C	D	E		F	G	H	J	L	M	S	
					MIN.	MAX.								
1	1.313	2.688	1.500	2.500	3.688	4.562	5.500	1.406	0.469	0.375	1.765	1.062	1.750	1.7
1-3/16	1.563	3.156	1.750	3.000	4.188	5.063	6.188	1.750	0.531	0.500	2.063	1.188	1.906	2.8
1-1/4, 1-3/8, 1-7/16	1.813	3.625	2.188	3.438	4.625	5.375	6.750	1.750	0.656	0.500	2.156	1.281	2.016	3.7
1-1/2	1.938	3.938	3.375	3.875	4.875	5.875	7.125	1.938	0.750	0.500	2.344	1.375	2.219	4.8
1-11/16, 1-3/4	2.063	4.188	2.500	4.125	5.438	5.875	7.375	2.000	0.688	0.500	2.375	1.375	2.219	5.6
1-15/16	2.188	4.500	2.750	4.313	5.875	6.813	8.000	2.188	0.688	0.625	2.594	1.500	2.469	6.2
2, 2-3/16	2.438	4.906	3.000	4.750	6.563	7.313	8.813	2.313	0.813	0.625	2.875	1.719	2.812	7.9
2-7/16	2.688	5.500	3.375	5.250	6.875	7.938	9.500	2.375	0.813	0.625	3.032	1.844	3.062	10.0

Part Numbers are specified by "PB220W" and Bore Size; Example: PB220W x 1-7/16.

For Load Ratings, see page M-14. For Comparison Charts, see page M-43.

For replacement inserts use YW220 Bearing Inserts, see page M-36.

T-Zerk: 1/4-28 Taper (up thru 1-1/4S), 1/8 NPT on all larger units

PB221W Series – For High Shaft Heights

SHAFT SIZE	DIMENSIONS													WT. LBS.
	A	B	C	D	E		F	G	H	J	L	M	S	
					MIN.	MAX.								
1	1.438	2.688	1.500	2.500	3.688	4.562	5.500	1.406	0.594	0.375	1.765	1.062	1.750	1.8
1-3/16	1.688	3.281	1.750	3.000	4.188	5.063	6.188	1.750	0.656	0.500	2.063	1.188	1.906	2.9
1-1/4, 1-3/8, 1-7/16	1.875	3.688	2.188	3.438	4.625	5.375	6.750	1.750	0.719	0.500	2.156	1.281	2.016	3.8
1-1/2	2.000	4.000	3.375	3.875	4.875	5.875	7.125	1.938	0.813	0.500	2.344	1.375	2.219	5.0
1-11/16, 1-3/4	2.125	4.250	2.500	4.125	5.438	5.875	7.375	2.000	0.750	0.500	2.375	1.375	2.219	5.7
1-15/16	2.250	4.563	2.750	4.313	5.875	6.813	8.000	2.188	0.750	0.625	2.594	1.500	2.469	6.3
2, 2-3/16	2.500	4.969	3.000	4.750	6.563	7.313	8.813	2.313	0.875	0.625	2.875	1.719	2.812	8.1
2-7/16	2.750	5.563	3.375	5.250	6.875	7.938	9.500	2.375	0.875	0.625	3.032	1.844	3.062	10.2

Part Numbers are specified by "PB221W" and Bore Size; Example: PB221W x 1-1/2.

For Load Ratings, see page M-14. For Comparison Charts, see page M-43.

For replacement inserts use YW220 Bearing Inserts, see page M-36.

T-Zerk: 1/4-28 Taper (up thru 1-1/4S), 1/8 NPT on all larger units

Dimensions shown are for reference only.

DOWNLOAD AVAILABLE CAD MODELS AT: WWW.HUBCITYINC.COM

Certified prints are available upon request

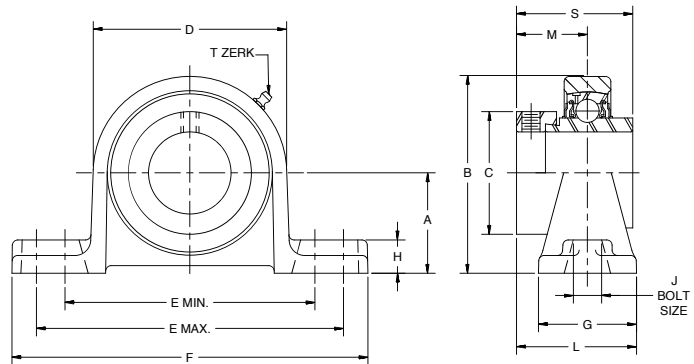
CALL: (605) 225-0360 • FAX: (605) 225-0567

Hub City IndustrialLine™ Bearing Units

Hub-Alloy® Pillow Blocks

Series PB220HW, PB221HW

- Relube type. Prelubricated at factory
- Eccentric locking collar
- Self-aligning replaceable bearing
- Nitrile rubber seals with steel flingers
- Precision bored HUB-ALLOY® housing
- Higher strength and greater impact resistance than gray iron for high shock loads
- Wide inner race



NOTE: BEARINGS WITH ECCENTRIC LOCKING COLLARS ARE NOT RECOMMENDED FOR USE IN REVERSING APPLICATIONS.

PB220HW Series – For Low Shaft Heights

SHAFT SIZE	DIMENSIONS													WT. LBS.
	A	B	C	D	E		F	G	H	J	L	M	S	
					MIN.	MAX.								
1	1.313	2.625	1.500	2.500	3.625	4.500	5.375	1.500	0.500	0.375	1.812	1.062	1.750	1.6
1-3/16	1.563	3.094	1.750	2.938	4.250	5.125	6.063	1.500	0.563	0.500	1.938	1.188	1.906	2.5
1-1/4, 1-3/8, 1-7/16	1.813	3.531	2.188	3.375	4.625	5.500	6.438	1.750	0.563	0.500	2.156	1.281	2.016	3.2
1-1/2	1.938	3.813	2.375	3.750	4.938	5.813	6.875	1.750	0.625	0.500	2.250	1.375	2.219	3.6
1-11/16, 1-3/4	2.063	4.063	2.500	4.000	5.313	6.188	7.250	1.875	0.750	0.500	2.313	1.375	2.219	4.3
1-15/16	2.188	4.313	2.750	4.250	5.813	6.688	7.875	2.125	0.750	0.625	2.562	1.500	2.469	5.3
2, 2-3/16	2.438	4.781	3.000	4.688	6.063	7.438	8.625	2.375	0.813	0.625	2.906	1.719	2.812	6.8
2-7/16	2.688	5.281	3.375	5.188	6.938	8.063	9.250	2.375	0.875	0.625	3.032	1.844	3.062	9.1

Part Numbers are specified by "PB220HW" and Bore Size; Example: PB220HW x 1-7/16.

For Load Ratings, see page M-14. For Comparison Charts, see page M-43.

For replacement inserts use YW220 Bearing Inserts, see page M-36.

T-Zerk: 1/4-28 Taper

PB221HW Series – For High Shaft Heights

SHAFT SIZE	DIMENSIONS													WT. LBS.
	A	B	C	D	E		F	G	H	J	L	M	S	
					MIN.	MAX.								
1	1.438	2.750	1.500	2.500	3.625	4.500	5.375	1.500	0.625	0.375	1.812	1.062	1.750	1.9
1-3/16	1.688	3.219	1.750	2.938	4.250	5.125	6.063	1.500	0.688	0.500	1.938	1.188	1.906	2.6
1-1/4, 1-3/8, 1-7/16	1.875	3.594	2.188	3.375	4.625	5.500	6.438	1.750	0.625	0.500	2.156	1.281	2.016	3.3
1-1/2	2.000	3.875	2.375	3.750	4.938	5.813	6.875	1.750	0.688	0.500	2.250	1.375	2.219	3.9
1-11/16, 1-3/4	2.125	4.250	2.500	4.000	5.313	6.188	7.250	1.875	0.813	0.500	2.313	1.375	2.219	4.6
1-15/16	2.250	4.375	2.750	4.250	5.813	6.688	7.875	2.125	0.813	0.625	2.562	1.500	2.469	5.6
2, 2-3/16	2.500	4.844	3.000	4.688	6.063	7.438	8.625	2.375	0.875	0.625	2.906	1.719	2.812	6.8
2-7/16	2.750	5.344	3.375	5.188	6.938	8.063	9.250	2.375	0.938	0.625	3.032	1.844	3.062	9.6

Part Numbers are specified by "PB221HW" and Bore Size; Example: PB221HW x 1-1/2.

For Load Ratings, see page M-14. For Comparison Charts, see page M-43.

For replacement inserts use YW220 Bearing Inserts, see page M-36.

T-Zerk: 1/4-28 Taper

Dimensions shown are for reference only.

DOWNLOAD AVAILABLE CAD MODELS AT: WWW.HUBCITYINC.COM

Certified prints are available upon request

EMAIL: hubsales@regalbeloit.com • www.hubcityinc.com

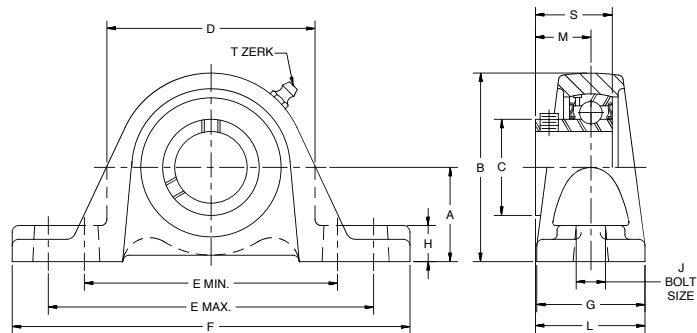


Hub City IndustriaLine™ Bearing Units

Cast Iron Pillow Blocks

Series PB250, PB251

- Relube type. Prelubricated at factory
- Setscrew locking
- Self-aligning replaceable bearing
- Nitrile rubber seals with steel trash guard
- Precision bored Cast Iron housing



PB250 Series – For Low Shaft Heights

SHAFT SIZE	DIMENSIONS													WT. LBS.
	A	B	C	D	E		F	G	H	J	L	M	S	
					MIN.	MAX.								
1/2, 5/8	1.063	2.094	0.969	1.938	3.125	4.125	4.875	1.219	0.344	0.375	1.234	0.625	0.938	0.7
3/4	1.250	2.469	1.188	2.250	3.469	4.281	5.000	1.344	0.469	0.375	1.391	0.719	1.062	1.3
7/8, 15/16, 1	1.313	2.688	1.375	2.500	3.688	4.562	5.500	1.406	0.469	0.375	1.469	0.766	1.110	1.4
1-1/8, 1-3/16, 1-1/4S	1.563	3.156	1.594	3.000	4.188	5.063	6.188	1.750	0.531	0.500	1.656	0.781	1.156	2.4
1-1/4, 1-3/8, 1-7/16	1.813	3.625	1.859	3.438	4.625	5.375	6.750	1.750	0.656	0.500	1.734	0.859	1.281	3.5
1-1/2	1.938	3.938	2.062	3.875	4.875	5.875	7.125	1.938	0.750	0.500	1.907	0.934	1.422	4.5
1-5/8, 1-11/16, 1-3/4	2.063	4.188	2.297	4.125	5.438	5.875	7.375	2.000	0.688	0.500	1.953	0.953	1.437	5.5
1-15/16, 2S	2.188	4.500	2.469	4.313	5.875	6.813	8.000	2.188	0.688	0.625	2.141	1.047	1.547	6.0
2, 2-3/16	2.438	4.906	2.719	4.750	6.563	7.313	8.813	2.313	0.813	0.625	2.265	1.110	1.656	7.6
2-1/4, 2-7/16	2.688	5.500	2.980	5.250	6.875	7.938	9.500	2.375	0.813	0.625	2.518	1.330	1.911	10.9
2-15/16	3.250	6.500	3.640	6.250	7.875	9.625	11.250	3.000	1.125	0.750	3.035	1.535	2.137	16.9

Part Numbers are specified by "PB250" and Bore Size.

Example: PB250 x 1-11/16.

For Load Ratings, see page M-14. For Comparison Charts, see page M-43.

For replacement inserts use B250 Bearing Inserts, see page M-35.

T-Zerk: 1/4-28 Taper (up thru 1-1/4S), 1/8 NPT on all larger units

PB251 Series – For High Shaft Heights

SHAFT SIZE	DIMENSIONS													WT. LBS.
	A	B	C	D	E		F	G	H	J	L	M	S	
					MIN.	MAX.								
1/2, 5/8	1.188	2.219	0.969	1.938	3.125	4.125	4.875	1.219	0.469	0.375	1.234	0.625	0.938	0.8
3/4	1.313	2.219	1.188	2.250	3.469	4.281	5.000	1.344	0.531	0.375	1.391	0.719	1.062	1.4
7/8, 15/16, 1	1.438	2.688	1.375	2.500	3.688	4.562	5.500	1.406	0.594	0.375	1.469	0.766	1.110	1.6
1-1/8, 1-3/16, 1-1/4S	1.688	3.281	1.594	3.000	4.188	5.063	6.188	1.750	0.656	0.500	1.656	0.781	1.156	2.6
1-1/4, 1-3/8, 1-7/16	1.875	3.688	1.859	3.438	4.625	5.375	6.750	1.750	0.719	0.500	1.734	0.859	1.281	3.5
1-1/2	2.000	4.000	2.062	3.875	4.875	5.875	7.125	1.938	0.813	0.500	1.907	0.934	1.422	4.4
1-5/8, 1-11/16, 1-3/4	2.125	4.250	2.297	4.125	5.438	5.875	7.375	2.000	0.750	0.500	1.953	0.953	1.437	5.3
1-15/16, 2S	2.250	4.563	2.469	4.313	5.875	6.813	8.000	2.188	0.750	0.625	2.141	1.047	1.547	5.8
2, 2-3/16	2.500	4.969	2.719	4.750	6.563	7.313	8.813	2.313	0.875	0.625	2.265	1.110	1.656	7.7
2-1/4, 2-7/16	2.750	5.563	2.980	5.250	6.875	7.938	9.500	2.375	0.875	0.625	2.518	1.330	1.911	11.1
2-15/16	3.313	6.500	3.640	6.250	7.875	9.625	11.250	3.000	1.188	0.750	3.035	1.535	2.137	17.1

Part Numbers are specified by "PB251" and Bore Size. Example: PB251 x 1-5/8.

For Load Ratings, see page M-14. For Comparison Charts, see page M-43.

For replacement inserts use B250 Bearing Inserts, see page M-35.

* PB251 x 1-1/2 with 2-1/8" "A" dimension available as special.

T-Zerk: 1/4-28 Taper (up thru 1-1/4S), 1/8 NPT on all larger units

Dimensions shown are for reference only.

DOWNLOAD AVAILABLE CAD MODELS AT: WWW.HUBCITYINC.COM

Certified prints are available upon request

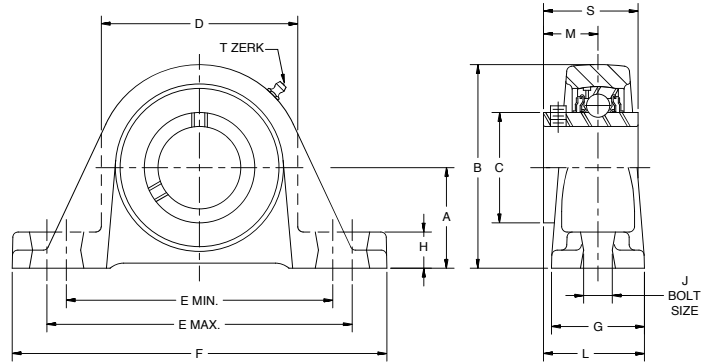
CALL: (605) 225-0360 • FAX: (605) 225-0567

Hub City IndustrialLine™ Bearing Units

Cast Iron Pillow Blocks

Series PB250W, PB251W

- Relube type. Pre-lubricated at factory
- Setscrew locking
- Self-aligning replaceable bearing
- Nitrile rubber seals with steel flingers
- Precision bored Cast Iron housing
- Wide inner race



PB250W Series – For Low Shaft Heights

SHAFT SIZE	DIMENSIONS													WT. LBS.
	A	B	C	D	E		F	G	H	J	L	M	S	
					MIN.	MAX.								
5/8	1.063	2.094	0.969	1.938	3.125	4.125	4.875	1.219	0.344	0.375	1.234	0.625	1.031	0.7
3/4	1.250	2.469	1.188	2.250	3.469	4.281	5.000	1.344	0.469	0.375	1.391	0.719	1.219	1.3
1	1.313	2.688	1.375	2.500	3.688	4.562	5.500	1.406	0.469	0.375	1.515	0.812	1.375	1.4
1-3/16, 1-1/4S	1.563	3.156	1.594	3.000	4.188	5.063	6.188	1.750	0.531	0.500	1.750	0.875	1.500	2.4
1-1/4, 1-7/16	1.813	3.625	1.859	3.438	4.625	5.375	6.750	1.750	0.656	0.500	1.875	1.000	1.688	3.5
1-1/2	1.938	3.938	2.062	3.875	4.875	5.875	7.125	1.938	0.750	0.500	2.157	1.187	1.937	4.5
1-3/4	2.063	4.188	2.297	4.125	5.438	5.875	7.375	2.000	0.688	0.500	2.188	1.187	1.937	5.5
1-15/16	2.188	4.500	2.469	4.313	5.875	6.813	8.000	2.188	0.688	0.625	2.375	1.281	2.031	5.9
2	2.438	4.906	2.719	4.750	6.563	7.313	8.813	2.313	0.813	0.625	2.453	1.312	2.187	7.6
2-7/16	2.688	5.500	2.980	5.250	6.875	7.938	9.500	2.375	0.813	0.625	2.750	1.562	2.562	9.7

Part Numbers are specified by "PB250W" and Bore Size. Example: PB250W x 1-11/16.

For Load Ratings, see page M-14. For Comparison Charts, see page M-43.

For replacement inserts use YW250 Bearing Inserts, see page M-36.

T-Zerk: 1/4-28 Taper (up thru 1-1/4S), 1/8 NPT on all larger units

PB251W Series – For High Shaft Heights

SHAFT SIZE	DIMENSIONS													WT. LBS.
	A	B	C	D	E		F	G	H	J	L	M	S	
					MIN.	MAX.								
5/8	1.188	2.219	0.969	1.938	3.125	4.125	4.875	1.219	0.469	0.375	1.234	0.625	1.031	0.9
3/4	1.313	2.219	1.188	2.250	3.469	4.281	5.000	1.344	0.531	0.375	1.391	0.719	1.219	1.4
1	1.438	2.688	1.375	2.500	3.688	4.562	5.500	1.406	0.594	0.375	1.515	0.812	1.375	1.5
1-3/16, 1-1/4S	1.688	3.281	1.594	3.000	4.188	5.063	6.188	1.750	0.656	0.500	1.750	0.875	1.500	2.5
1-1/4, 1-7/16	1.875	3.688	1.859	3.438	4.625	5.375	6.750	1.750	0.719	0.500	1.875	1.000	1.688	3.5
1-1/2	2.000	4.000	2.062	3.875	4.875	5.875	7.125	1.938	0.813	0.500	2.157	1.187	1.937	4.7
1-3/4	2.125	4.250	2.297	4.125	5.438	5.875	7.375	2.000	0.750	0.500	2.188	1.187	1.937	5.5
1-15/16	2.250	4.563	2.469	4.313	5.875	6.813	8.000	2.188	0.750	0.625	2.375	1.281	2.031	6.0
2	2.500	4.969	2.719	4.750	6.563	7.313	8.813	2.313	0.875	0.625	2.453	1.312	2.187	7.8
2-7/16	2.750	5.563	2.980	5.250	6.875	7.938	9.500	2.375	0.875	0.625	2.750	1.562	2.562	10.1

Part Numbers are specified by "PB251W" and Bore Size.

Example: PB251W x 1-5/8.

For Load Ratings, see page M-14. For Comparison Charts, see page M-43.

For replacement inserts use YW250 Bearing Inserts, see page M-36.

* PB251W x 1-1/2 with 2-1/8" "A" dimension available as special.

T-Zerk: 1/4-28 Taper (up thru 1-1/4S), 1/8 NPT on all larger units

Dimensions shown are for reference only.

DOWNLOAD AVAILABLE CAD MODELS AT: WWW.HUBCITYINC.COM

Certified prints are available upon request

EMAIL: hubsales@regalbeloit.com • www.hubcityinc.com

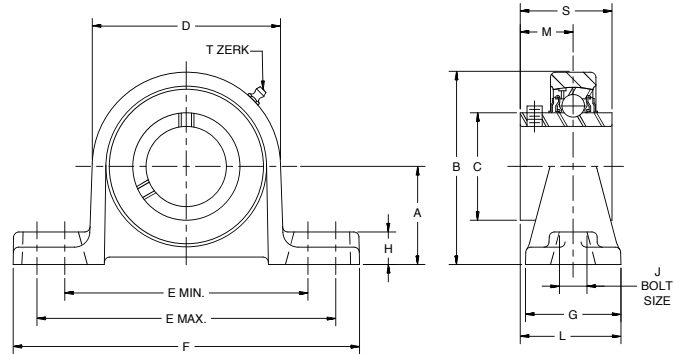


Hub City IndustriaLine™ Bearing Units

Hub-Alloy® Pillow Blocks

Series PB250HW, PB251HW

- Relube type. Prelubricated at factory
- Setscrew locking
- Self-aligning replaceable bearing
- Nitrile rubber seals with steel flingers
- Precision bored HUB-ALLOY® housing
- Higher strength and greater impact resistance than gray iron for high shock loads
- Wide inner race



PB250HW Series - For Low Shaft Heights

SHAFT SIZE	DIMENSIONS													WT. LBS.
	A	B	C	D	E		F	G	H	J	L	M	S	
					MIN.	MAX.								
5/8	1.063	2.156	0.969	1.938	2.938	3.813	4.625	1.188	0.438	0.375	1.219	0.625	1.031	0.8
3/4	1.250	2.469	1.188	2.250	3.313	4.188	5.000	1.375	0.438	0.375	1.407	0.719	1.219	1.0
1	1.313	2.625	1.375	2.500	3.625	4.500	5.375	1.500	0.500	0.375	1.562	0.812	1.375	1.6
1-3/16, 1-1/4S	1.563	3.094	1.594	2.938	4.250	5.125	6.063	1.500	0.563	0.500	1.625	0.875	1.500	2.1
1-1/4, 1-7/16	1.813	3.531	1.859	3.375	4.625	5.500	6.438	1.750	0.563	0.500	1.875	1.000	1.688	2.9
1-1/2	1.938	3.813	2.062	3.750	4.938	5.813	6.875	1.750	0.625	0.500	2.062	1.187	1.937	3.5
1-3/4	2.063	4.063	2.297	4.000	5.313	6.188	7.250	1.875	0.750	0.500	2.125	1.187	1.937	4.2
1-15/16	2.188	4.313	2.469	4.250	5.813	6.688	7.875	2.125	0.750	0.625	2.344	1.281	2.031	5.1
2	2.438	4.781	2.719	4.688	6.063	7.438	8.625	2.375	0.813	0.625	2.500	1.312	2.187	6.1
2-7/16	2.688	5.281	2.980	5.188	6.938	8.063	9.250	2.375	0.875	0.625	2.750	1.562	2.562	9.4

Part Numbers are specified by "PB250HW" and Bore Size. Example: PB250HW x 1 11/16.

For Load Ratings, see page M-14. For Comparison Charts, see page M-43.

For replacement inserts use YW250 Bearing Inserts, see page M-36.

T-Zerk: 1/4-28 Taper

PB251HW Series - For High Shaft Heights

SHAFT SIZE	DIMENSIONS													WT. LBS.
	A	B	C	D	E		F	G	H	J	L	M	S	
					MIN.	MAX.								
5/8	1.188	2.281	0.969	1.938	2.938	3.813	4.625	1.188	0.563	0.375	1.219	0.625	1.031	0.9
3/4	1.313	2.531	1.188	2.250	3.313	4.188	5.000	1.375	0.500	0.375	1.407	0.719	1.219	1.1
1	1.438	2.750	1.375	2.500	3.625	4.500	5.375	1.500	0.625	0.375	1.562	0.812	1.375	1.7
1-3/16, 1-1/4S	1.688	3.219	1.594	2.938	4.250	5.125	6.063	1.500	0.688	0.500	1.625	0.875	1.500	2.5
1-1/4, 1-7/16	1.875	3.594	1.859	3.375	4.625	5.500	6.438	1.750	0.625	0.500	1.875	1.000	1.688	2.9
1-1/2	2.000	3.875	2.062	3.750	4.938	5.813	6.875	1.750	0.688	0.500	2.062	1.187	1.937	3.6
1-3/4	2.125	4.125	2.297	4.000	5.313	6.188	7.250	1.875	0.813	0.500	2.125	1.187	1.937	4.2
1-15/16	2.250	4.375	2.469	4.250	5.813	6.688	7.875	2.125	0.813	0.625	2.344	1.281	2.031	5.2
2	2.500	4.844	2.719	4.688	6.063	7.438	8.625	2.375	0.875	0.625	2.500	1.312	2.187	6.1
2-7/16	2.750	5.344	2.980	5.188	6.938	8.063	9.250	2.375	0.938	0.625	2.750	1.562	2.562	9.4

Part Numbers are specified by "PB251HW" and Bore Size.

Example: PB251HW x 1 5/8.

For replacement inserts use YW250 Bearing Inserts, see page M-36.

T-Zerk: 1/4-28 Taper

For Load Ratings, see page M-14. For Comparison Charts, see page M-43.

Dimensions shown are for reference only.

DOWNLOAD AVAILABLE CAD MODELS AT: WWW.HUBCITYINC.COM

Certified prints are available upon request

CALL: (605) 225-0360 • FAX: (605) 225-0567

Hub City IndustrialLine™ Bearing Units

Cast Iron Tapped Base Pillow Blocks

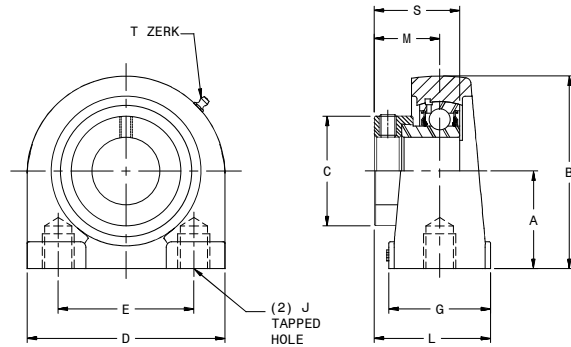
IndustrialLine™ Bearings



Series TPB220, TPB220W

TPB220 Series

- Relube type. Pre-lubricated at factory
- Eccentric locking collar
- Self-aligning replaceable bearing
- Nitrile rubber seals with steel trash guard
- Precision bored Cast Iron housing
- Space saving tapped base design



SHAFT SIZE	DIMENSIONS										WT. LBS.
	A	B	C	D	E	G	J – TAPPED HOLES	L	M	S	
1/2, 5/8	1.312	2.56	1.188	2.87	2.00	1.50	3/8-16UNC X .50	1.625	0.875	1.188	0.8
3/4	1.312	2.56	1.313	2.87	2.00	1.50	3/8-16UNC X .50	1.672	0.922	1.266	0.9
7/8, 1	1.437	2.80	1.500	3.00	2.00	1.50	3/8-16UNC X .50	1.672	0.922	1.266	1.4
1-1/8, 1-3/16, 1-1/4S	1.687	3.38	1.750	4.00	3.00	1.50	7/16-14UNC X .63	1.797	1.047	1.422	2.0
1-1/4, 1-3/8, 1-7/16	1.875	3.74	2.188	4.25	3.25	1.89	7/16-14UNC X .78	2.101	1.156	1.578	2.6
1-1/2	1.937	3.94	3.375	4.61	3.50	1.89	1/2-13UNC X .78	2.227	1.282	1.766	3.5
1-11/16, 1-3/4	2.125	4.25	2.500	5.00	3.75	2.00	1/2-13UNC X .78	2.282	1.282	1.766	4.9
1-15/16, 2S	2.250	4.65	2.750	5.50	4.00	2.00	5/8-11UNC X .90	2.282	1.282	1.781	5.1
2, 2-3/16	2.250	4.65	3.000	5.50	4.00	2.00	5/8-11UNC X .98	2.387	1.387	1.984	5.2

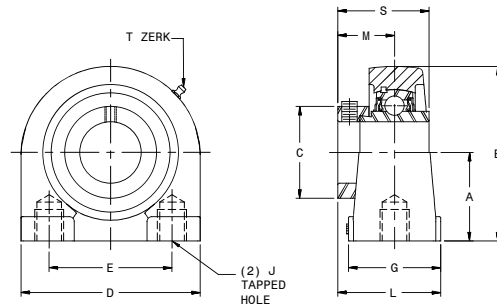
Part Numbers are specified by "TPB220" and Bore Size.
Example: TPB220 x 5/8.

For Load Ratings, see page M-14. For Comparison Charts, see page M-42.

For replacement inserts use B220 Bearing Inserts, see page M-35.
T-Zerk: 1/4-28 Taper

TPB220W Series

- Relube type. Pre-lubricated at factory
- Eccentric locking collar
- Self-aligning replaceable bearing
- Nitrile rubber seals with steel flingers
- Precision bored Cast Iron housing
- Space saving tapped base design
- Wide inner race



SHAFT SIZE	DIMENSIONS										WT. LBS.
	A	B	C	D	E	G	J – TAPPED HOLES	L	M	S	
7/8, 1	1.437	2.80	1.500	3.00	2.00	1.50	3/8-16UNC X .50	1.562	1.062	1.750	1.5
1-1/8, 1-3/16, 1-1/4S	1.687	3.38	1.750	4.00	3.00	1.50	7/16-14UNC X .63	1.625	1.188	1.906	2.2
1-1/4, 1-3/8, 1-7/16	1.875	3.74	2.188	4.25	3.25	1.89	1/2-13UNC X .78	1.945	1.281	2.016	2.8
1-1/2	1.937	3.94	3.375	4.61	3.50	1.89	1/2-13UNC X .78	2.312	1.375	2.219	3.8
1-11/16, 1-3/4	2.125	4.25	2.500	5.00	3.75	2.00	1/2-13UNC X .78	2.187	1.375	2.219	5.2
1-15/16	2.250	4.65	2.750	5.50	4.00	2.00	5/8-11UNC X .90	2.281	1.500	2.469	5.6
2, 2-3/16	2.250	4.65	3.000	5.50	4.00	2.00	5/8-11UNC X .98	2.262	1.669	2.812	5.7

Part Numbers are specified by "TPB220W" and Bore Size.
Example: TPB220W x 5/8.

For Load Ratings, see page M-14. For Comparison Charts, see page M-42.

For replacement inserts use YW220 Bearing Inserts, see page M-36.
T-Zerk: 1/4-28 Taper

Dimensions shown are for reference only.

DOWNLOAD AVAILABLE CAD MODELS AT: WWW.HUBCITYINC.COM

Certified prints are available upon request

EMAIL: hubsales@regalbeloit.com • www.hubcityinc.com



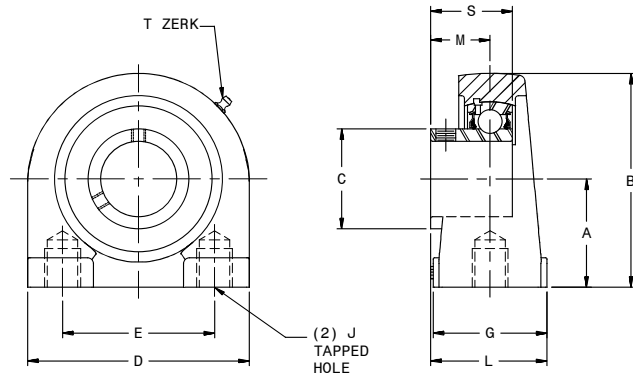
Hub City IndustriaLine™ Bearing Units

Cast Iron Tapped Base Pillow Blocks

Series TPB250, TPB250W

TPB250 Series

- Relube type. Prelubricated at factory
- Setscrew locking
- Self-aligning replaceable bearing
- Nitrile rubber seals with steel trash guard
- Precision bored Cast Iron housing
- Space saving tapped base design



SHAFT SIZE	DIMENSIONS											WT. LBS.
	A	B	C	D	E	G	J - TAPPED HOLES	L	M	S		
1/2, 5/8	1.312	2.56	0.969	2.87	2.00	1.50	3/8-16UNC X .50	1.375	0.625	0.938	0.8	
3/4	1.312	2.56	1.188	2.87	2.00	1.50	3/8-16UNC X .50	1.469	0.719	1.062	0.9	
7/8, 1	1.437	2.80	1.375	3.00	2.00	1.50	3/8-16UNC X .50	1.516	0.766	1.110	1.4	
1-1/8, 1-3/16, 1-1/4S	1.687	3.38	1.594	4.00	3.00	1.50	7/16-14UNC X .63	1.531	0.781	1.156	2.0	
1-1/4, 1-3/8, 1-7/16	1.875	3.74	1.859	4.25	3.25	1.89	7/16-14UNC X .78	1.804	0.859	1.281	2.6	
1-1/2	1.937	3.94	2.062	4.61	3.50	1.89	1/2-13UNC X .78	1.879	0.934	1.422	3.5	
1-5/8, 1-11/16, 1-3/4	2.125	4.25	2.297	5.00	3.75	2.00	1/2-13UNC X .78	1.953	0.953	1.437	4.9	
1-15/16, 2S	2.250	4.65	2.469	5.50	4.00	2.00	5/8-11UNC X .90	2.047	1.047	1.547	5.1	
2, 2-3/16	2.250	4.65	2.719	5.50	4.00	2.00	5/8-11UNC X .98	2.060	1.060	1.656	5.2	

Part Numbers are specified by "TPB250" and Bore Size.

Example: TPB250 x 5/8.

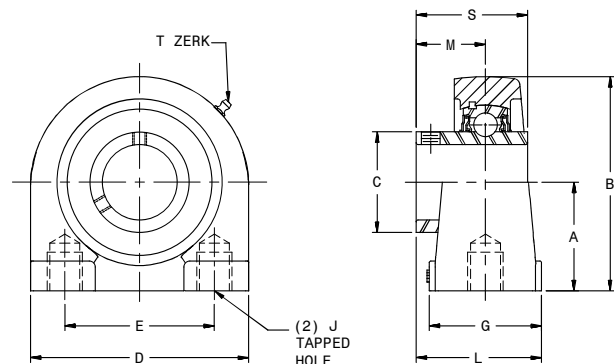
For Load Ratings, see page M-14. For Comparison Charts, see page M-42.

For replacement inserts use B250 Bearing Inserts, see page M-35.

T-Zerk: 1/4-28 Taper

TPB250W Series

- Relube type. Prelubricated at factory
- Setscrew locking
- Self-aligning replaceable bearing
- Nitrile rubber seals with steel flingers
- Precision bored Cast Iron housing
- Space saving tapped base design
- Wide inner race



SHAFT SIZE	DIMENSIONS											WT. LBS.
	A	B	C	D	E	G	J - TAPPED HOLES	L	M	S		
5/8	1.312	2.56	0.969	2.87	2.00	1.50	3/8-16UNC X .50	1.375	0.625	1.031	0.8	
3/4	1.312	2.56	1.188	2.87	2.00	1.50	3/8-16UNC X .50	1.469	0.719	1.219	1.0	
7/8, 1	1.437	2.80	1.375	3.00	2.00	1.50	3/8-16UNC X .50	1.562	0.812	1.375	1.5	
1-1/8, 1-3/16, 1-1/4S	1.687	3.38	1.594	4.00	3.00	1.50	7/16-14UNC X .63	1.625	0.875	1.500	2.2	
1-1/4, 1-3/8, 1-7/16	1.875	3.74	1.859	4.25	3.25	1.89	1/2-13UNC X .78	1.945	1.000	1.688	2.8	
1-1/2	1.937	3.94	2.062	4.61	3.50	1.89	1/2-13UNC X .78	2.132	1.187	1.937	3.8	
1-11/16, 1-3/4	2.125	4.25	2.297	5.00	3.75	2.00	1/2-13UNC X .78	2.187	1.187	1.937	5.2	
1-15/16, 2S	2.250	4.65	2.469	5.50	4.00	2.00	5/8-11UNC X .90	2.281	1.281	2.031	5.6	
2, 2-3/16	2.250	4.65	2.719	5.50	4.00	2.00	5/8-11UNC X .98	2.262	1.262	2.187	5.7	

Part Numbers are specified by "TPB250W" and Bore Size.

Example: TPB250W x 5/8.

For Load Ratings, see page M-14. For Comparison Charts, see page M-42.

For replacement inserts use YW250 Bearing Inserts, see page M-36.

T-Zerk: 1/4-28 Taper

Dimensions shown are for reference only.

DOWNLOAD AVAILABLE CAD MODELS AT: WWW.HUBCITYINC.COM

Certified prints are available upon request

CALL: (605) 225-0360 • FAX: (605) 225-0567

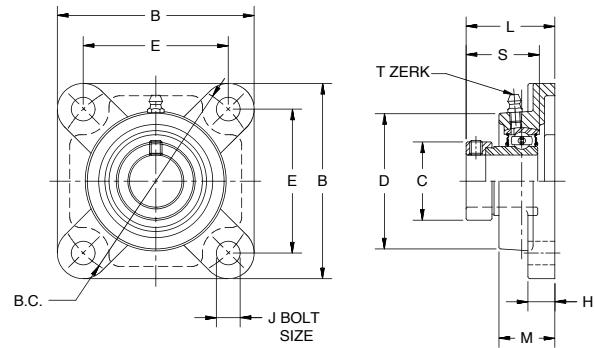
Hub City IndustrialLine™ Bearing Units

Cast Iron Flange Blocks

Series FB220, FB230

FB220 Four-Hole Flange Blocks

- Relube type. Prelubricated at factory
- Eccentric locking collar
- Self-aligning replaceable bearing
- Nitrile rubber seals with steel trash guard
- Precision bored Cast Iron housing



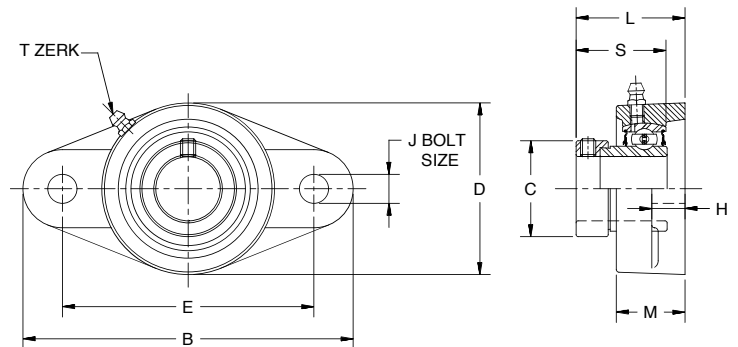
SHAFT SIZE	DIMENSIONS											WT. LBS.
	B	B.C.	C	D	E	H	J	L	M	S		
1/2, 5/8	3.00	3.000	1.188	2.09	2.120	0.43	0.45	1.466	0.94	1.188	1.0	
3/4	3.38	3.563	1.312	2.36	2.520	0.47	0.47	1.513	1.00	1.266	1.4	
7/8, 1	3.74	3.898	1.500	2.80	2.756	0.55	0.47	1.552	1.06	1.266	1.8	
1-1/8, 1-3/16, 1-1/4S	4.25	4.625	1.750	3.19	3.268	0.55	0.47	1.756	1.16	1.422	2.6	
1-1/4, 1-3/8, 1-7/16	4.61	5.125	2.188	3.62	3.622	0.63	0.55	1.904	1.28	1.578	4.3	
1-1/2	5.12	5.677	2.375	4.09	4.016	0.63	0.63	2.109	1.36	1.766	5.3	
1-11/16, 1-3/4	5.39	5.846	2.500	4.25	4.134	0.71	0.63	2.148	1.50	1.766	5.6	
1-15/16, 2S	5.63	6.181	2.750	4.45	4.375	0.71	0.63	2.148	1.57	1.781	6.5	
2, 2-3/16	6.38	7.236	3.000	4.92	5.118	0.78	0.75	2.421	1.69	1.984	9.1	
2-7/16	6.88	7.960	3.350	5.31	5.630	0.78	0.75	2.653	1.89	2.091	12.0	

Part Numbers are specified by "FB220" and Bore Size. Example: FB220 x 1/2.
 For Load Ratings, see page M-14. For Comparison Charts, see page M-42.
 For replacement inserts use B220 Bearing Inserts, see page M-35.
 T-Zerk: 1/4-28 Taper

NOTE: BEARINGS WITH ECCENTRIC LOCKING COLLARS ARE NOT RECOMMENDED FOR USE IN REVERSING APPLICATIONS.

FB230 Two-Hole Flange Blocks

- Relube type. Prelubricated at factory
- Eccentric locking collar
- Self-aligning replaceable bearing
- Nitrile rubber seals with steel trash guard
- Precision bored Cast Iron housing



SHAFT SIZE	DIMENSIONS										WT. LBS.
	B	C	D	E	H	J	L	M	S		
1/2, 5/8	3.89	1.188	2.36	3.000	0.43	0.41	1.548	0.98	1.188	1.0	
3/4	4.41	1.312	2.36	3.531	0.43	0.41	1.485	0.98	1.266	1.3	
7/8, 1	4.88	1.500	2.76	3.890	0.51	0.49	1.548	1.06	1.266	1.9	
1-1/8, 1-3/16, 1-1/4S	5.55	1.750	3.27	4.594	0.51	0.49	1.752	1.18	1.422	2.7	
1-1/4, 1-3/8, 1-7/16	6.14	2.188	3.74	5.125	0.55	0.55	1.829	1.14	1.578	3.1	
1-1/2	6.73	2.375	4.13	5.657	0.55	0.55	2.109	1.40	1.766	3.6	
1-11/16, 1-3/4	7.05	2.500	4.37	5.843	0.55	0.55	2.187	1.40	1.766	4.3	
1-15/16, 2S	7.44	2.750	4.57	6.189	0.55	0.55	2.156	1.47	1.781	5.3	
2, 2-3/16	8.50	3.000	5.24	7.252	0.83	0.71	2.437	1.63	1.984	7.6	

Part Numbers are specified by "FB230" and Bore Size. Example: FB230 x 7/8.
 For Load Ratings, see page M-14. For Comparison Charts, see page M-42.
 For replacement inserts use B220 Bearing Inserts, see page M-35.
 T-Zerk: 1/4-28 Taper

NOTE: BEARINGS WITH ECCENTRIC LOCKING COLLARS ARE NOT RECOMMENDED FOR USE IN REVERSING APPLICATIONS.

DOWNLOAD AVAILABLE CAD MODELS AT: WWW.HUBCITYINC.COM

Certified prints are available upon request

† DIMENSIONS SHOWN ARE FOR REFERENCE ONLY.

EMAIL: hubsales@regalbeloit.com • www.hubcityinc.com



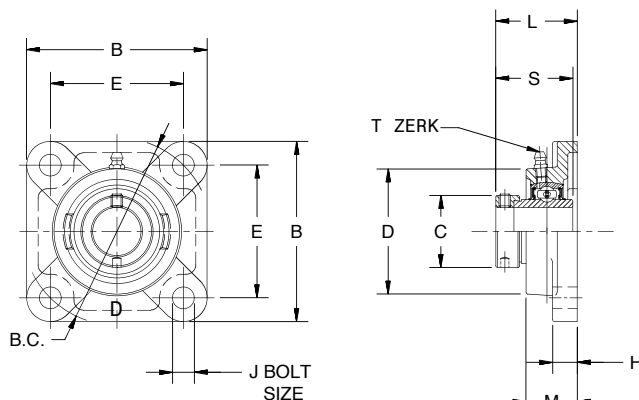
Hub City IndustriaLine™ Bearing Units

Hub-Alloy® Flange Blocks

Series FB220HW, FB230HW

FB220HW Four-Hole Flange Blocks

- Relube type. Prelubricated at factory
- Eccentric locking collar
- Self-aligning replaceable bearing
- Nitrile rubber seals with steel flingers
- Precision bored HUB-ALLOY® housing
- Higher strength and greater impact resistance than gray iron for high shock loads
- Wide inner race



SHAFT SIZE	DIMENSIONS										WT. LBS.
	B	B.C.	C	D	E	H	J	L	M	S	
7/8, 1	3.66	3.898	1.500	2.75	2.750	0.59	0.453	1.810	1.18	1.750	2.1
1-1/8, 1-3/16, 1-1/4S	4.18	4.625	1.750	3.15	3.250	0.63	0.512	1.975	1.28	1.906	2.9
1-1/4, 1-3/8, 1-7/16	4.56	5.125	2.188	3.54	3.625	0.67	0.512	2.108	1.38	2.016	3.9
1-1/2	5.08	5.656	2.375	4.02	4.000	0.67	0.551	2.320	1.54	2.219	4.9
1-11/16, 1-3/4	5.31	5.834	2.500	4.25	4.125	0.71	0.630	2.320	1.57	2.219	5.8
1-15/16	5.63	6.187	2.750	4.49	4.375	0.79	0.630	2.602	1.77	2.469	6.5
2, 2-3/16	6.38	7.248	3.000	4.96	5.125	0.83	0.670	2.939	1.93	2.812	9.0
2-1/4, 2-7/16	6.89	7.955	3.375	5.39	5.625	0.87	0.670	3.183	2.11	3.062	10.7

Part Numbers are specified by "FB220HW" and Bore Size. Example: FB220HW x 3/4.

For Load Ratings, see page M-14. For Comparison Charts, see page M-44.

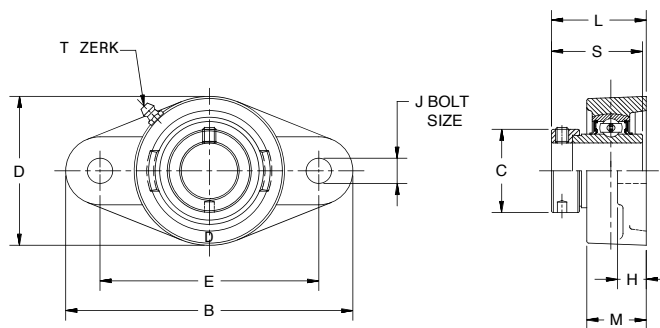
For replacement inserts use YW220 Bearing Inserts, see page M-36.

T-Zerk: 1/4-28 Taper

NOTE: BEARINGS WITH ECCENTRIC LOCKING COLLARS ARE NOT RECOMMENDED FOR USE IN REVERSING APPLICATIONS.

FB230HW Two-Hole Flange Blocks

- Relube type. Prelubricated at factory
- Eccentric locking collar
- Self-aligning replaceable bearing
- Nitrile rubber seals with steel flingers
- Precision bored HUB-ALLOY® housing
- Higher strength and greater impact resistance than gray iron for high shock loads
- Wide inner race



SHAFT SIZE	DIMENSIONS									WT. LBS.
	B	C	D	E	H	J	L	M	S	
7/8, 1	4.88	1.500	2.76	3.890	0.51	0.492	1.810	1.26	1.750	2.0
1-1/8, 1-3/16, 1-1/4S	5.55	1.750	3.23	4.594	0.51	0.492	2.000	1.38	1.906	2.9
1-1/4, 1-3/8, 1-7/16	6.14	2.188	3.74	5.125	0.59	0.551	2.123	1.47	2.016	3.3
1-1/2	6.77	2.375	4.13	5.657	0.59	0.551	2.312	1.69	2.219	3.9
1-5/8, 1-11/16, 1-3/4	7.05	2.500	4.37	5.843	0.59	0.630	2.312	1.69	2.219	4.6
1-15/16	7.44	2.750	4.56	6.189	0.59	0.630	2.626	1.88	2.469	5.8
2, 2-3/16	8.50	3.000	5.24	7.252	0.83	0.709	2.971	2.00	2.812	8.1

Part Numbers are specified by "FB230HW" and Bore Size. Example: FB230HW x 7/8.

For Load Ratings, see page M-14. For Comparison Charts, see page M-44.

For replacement inserts use YW220 Bearing Inserts, see page M-36.

T-Zerk: 1/4-28 Taper

NOTE: BEARINGS WITH ECCENTRIC LOCKING COLLARS ARE NOT RECOMMENDED FOR USE IN REVERSING APPLICATIONS.

† DIMENSIONS SHOWN ARE FOR REFERENCE ONLY.

DOWNLOAD AVAILABLE CAD MODELS AT: WWW.HUBCITYINC.COM

Certified prints are available upon request

CALL: (605) 225-0360 • FAX: (605) 225-0567

Hub City IndustrialLine™ Bearing Units

Cast Iron Pillow Blocks

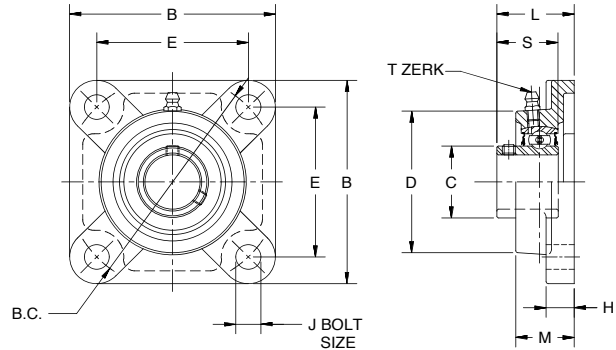
IndustrialLine™ Bearings



Series FB250, FB260

FB250 Four-Hole Flange Blocks

- Relube type. Prelubricated at factory
- Setscrew locking
- Self-aligning replaceable bearing
- Nitrile rubber seals with steel trash guard
- Precision bored Cast Iron housing



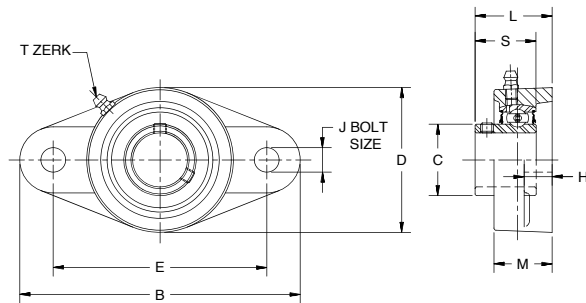
SHAFT SIZE	DIMENSIONS										WT. LBS.
	B	B.C.	C	D	E	H	J	L	M	S	
1/2, 5/8	3.00	3.000	0.969	2.09	2.126	0.43	0.450	1.216	0.94	0.938	1.0
3/4	3.38	3.563	1.188	2.36	2.520	0.47	0.470	1.310	1.00	1.062	1.4
7/8, 1	3.74	3.898	1.375	2.80	2.756	0.55	0.470	1.396	1.06	1.110	1.8
1-1/8, 1-3/16, 1-1/4S	4.25	4.625	1.594	3.19	3.268	0.55	0.470	1.490	1.16	1.156	2.6
1-1/4, 1-3/8, 1-7/16	4.61	5.125	1.859	3.62	3.622	0.63	0.550	1.607	1.28	1.281	4.2
1-1/2	5.12	5.677	2.062	4.09	4.016	0.63	0.630	1.761	1.36	1.422	5.3
1-5/8, 1-11/16, 1-3/4	5.39	5.846	2.297	4.25	4.134	0.71	0.630	1.819	1.50	1.437	5.7
1-15/16, 2S	5.63	6.181	2.469	4.45	4.375	0.71	0.630	1.913	1.57	1.547	6.6
2, 2-3/16	6.38	7.236	2.719	4.92	5.118	0.78	0.750	2.094	1.69	1.656	9.0
2-1/4, 2-7/16	6.88	7.960	2.980	5.31	5.630	0.78	0.750	2.472	1.89	1.911	12.0
2-15/16	7.63	8.485	3.920	6.50	6.000	0.75	0.781	2.516	1.94	2.264	17.6

Part Numbers are specified by "FB250" and Bore Size. Example: FB250 x 3/4.
For Load Ratings, see page M-14. For Comparison Charts, see page M-44.

For replacement inserts use B250 Bearing Inserts, see page M-35.
T-Zerk: 1/4-28 Taper

FB260 Two-Hole Flange Blocks

- Relube type. Prelubricated at factory
- Setscrew locking
- Self-aligning replaceable bearing
- Nitrile rubber seals with steel trash guard
- Precision bored Cast Iron housing



SHAFT SIZE	DIMENSIONS									WT. LBS.
	B	C	D	E	H	J	L	M	S	
1/2, 5/8	3.89	0.969	2.36	3.000	0.43	0.410	1.298	0.98	0.938	0.8
3/4	4.41	1.188	2.36	3.531	0.43	0.410	1.282	0.98	1.062	1.0
7/8, 1	4.88	1.375	2.76	3.890	0.51	0.490	1.392	1.06	1.110	1.4
1-1/8, 1-3/16, 1-1/4S	5.55	1.594	3.27	4.594	0.51	0.490	1.486	1.18	1.156	1.9
1-1/4, 1-3/8, 1-7/16	6.14	1.859	3.74	5.125	0.55	0.550	1.532	1.14	1.281	2.9
1-1/2	6.73	2.062	4.13	5.657	0.55	0.550	1.761	1.40	1.422	3.9
1-5/8, 1-11/16, 1-3/4	7.05	2.297	4.37	5.843	0.55	0.550	1.858	1.40	1.437	4.5
1-15/16, 2S	7.44	2.469	4.57	6.189	0.55	0.550	1.921	1.47	1.547	4.9
2, 2-3/16	8.50	2.719	5.24	7.252	0.83	0.710	2.110	1.63	1.656	6.5

Part Numbers are specified by "FB260" and Bore Size. Example: FB260 x 1-1/8.
For Load Ratings, see page M-14. For Comparison Charts, see page M-44.

For replacement inserts use B250 Bearing Inserts, see page M-35.
T-Zerk: 1/4-28 Taper

DOWNLOAD AVAILABLE CAD MODELS AT: WWW.HUBCITYINC.COM

Certified prints are available upon request

⚠ DIMENSIONS SHOWN ARE FOR REFERENCE ONLY.

EMAIL: hubsales@regalbeloit.com • www.hubcityinc.com



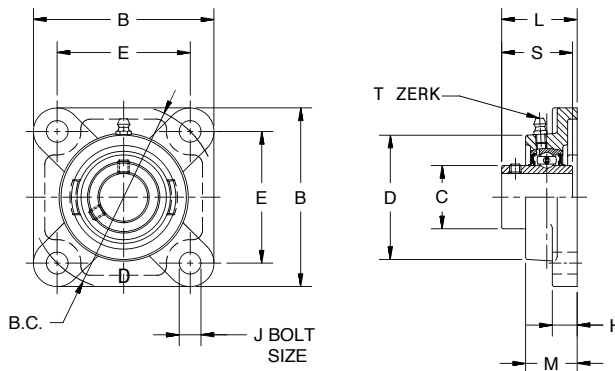
Hub City IndustriaLine™ Bearing Units

Hub-Alloy® Flange Blocks

Series FB250HW, FB260HW

FB250HW Four-Hole Flange Blocks

- Relube type. Prelubricated at factory
- Setscrew locking
- Self-aligning replaceable bearing
- Nitrile rubber seals with steel flingers
- Precision bored HUB-ALLOY® housing
- Higher strength and greater impact resistance than gray iron for high shock loads
- Wide inner race



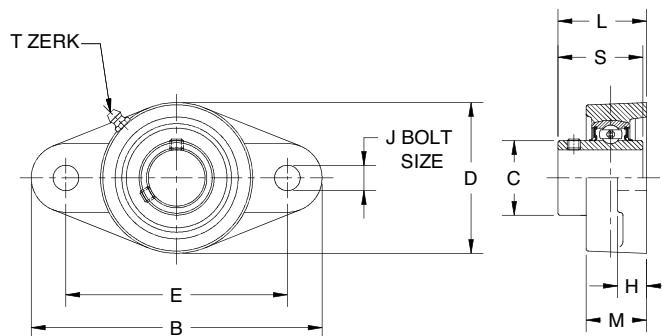
SHAFT SIZE	DIMENSIONS										WT. LBS.
	B	B.C.	C	D	E	H	J	L	M	S	
3/4	3.38	3.563	1.188	2.40	2.500	0.59	0.453	1.467	1.16	0.590	1.5
7/8, 1	3.66	3.898	1.375	2.75	2.750	0.59	0.453	1.558	1.18	0.590	1.9
1-1/8, 1-3/16, 1-1/4S	4.18	4.625	1.594	3.15	3.250	0.63	0.512	1.662	1.28	0.708	2.8
1-1/4, 1-3/8, 1-7/16	4.56	5.125	1.859	3.54	3.625	0.67	0.512	1.827	1.38	0.748	4.4
1-1/2	5.08	5.656	2.062	4.02	4.000	0.67	0.551	2.132	1.54	0.866	5.6
1-11/16, 1-3/4	5.31	5.846	2.297	4.25	4.125	0.71	0.630	2.132	1.57	0.866	6.0
1-15/16, 2S	5.63	6.1870	2.469	4.49	4.375	0.79	0.630	2.383	1.77	0.906	7.1
2, 2-3/16	6.38	7.2480	2.719	4.96	5.125	0.83	0.670	2.532	1.93	0.984	9.5
2-7/16	6.89	7.9550	2.984	5.39	5.625	0.87	0.670	2.901	2.11	1.063	12.4

Part Numbers are specified by "FB250HW" and Bore Size. Example: FB250HW x 3/4.
For Load Ratings, see page M-14. For Comparison Charts, see page M-44.

For replacement inserts use YW250 Bearing Inserts, see page M-36.
T-Zerk: 1/4-28 Taper

FB260HW Two-Hole Flange Blocks

- Relube type. Prelubricated at factory
- Setscrew locking
- Self-aligning replaceable bearing
- Nitrile rubber seals with steel flingers
- Precision bored HUB-ALLOY® housing
- Higher strength and greater impact resistance than gray iron for high shock loads
- Wide inner race



SHAFT SIZE	DIMENSIONS										WT. LBS.
	B	C	D	E	H	J	L	M	S		
3/4	4.41	1.188	2.36	3.531	0.43	0.413	1.467	1.260	0.590	1.1	
7/8, 1	4.88	1.375	2.76	3.890	0.51	0.492	1.560	1.320	0.590	1.5	
1-1/8, 1-3/16, 1-1/4S	5.55	1.594	3.23	4.594	0.51	0.492	1.686	1.380	0.708	2.1	
1-1/4, 1-3/8, 1-7/16	6.14	1.859	3.74	5.125	0.59	0.551	1.842	1.470	0.748	3.1	
1-1/2	6.77	2.062	4.13	5.657	0.59	0.551	2.125	1.690	0.866	4.2	
1-11/16, 1-3/4	7.05	2.297	4.37	5.843	0.59	0.630	2.107	1.750	0.866	4.8	
1-15/16, 2S	7.44	2.469	4.56	6.189	0.59	0.630	2.407	1.880	0.906	5.2	
2, 2-3/16	8.50	2.719	5.24	7.252	0.83	0.709	2.564	2.000	0.984	7.0	

Part Numbers are specified by "FB260HW" and Bore Size. Example: FB260HW x 1-1/8.
For Load Ratings, see page M-14. For Comparison Charts, see page M-44.

For replacement inserts use YW250 Bearing Inserts, see page M-36.
T-Zerk: 1/4-28 Taper

⚠ DIMENSIONS SHOWN ARE FOR REFERENCE ONLY.

DOWNLOAD AVAILABLE CAD MODELS AT: WWW.HUBCITYINC.COM

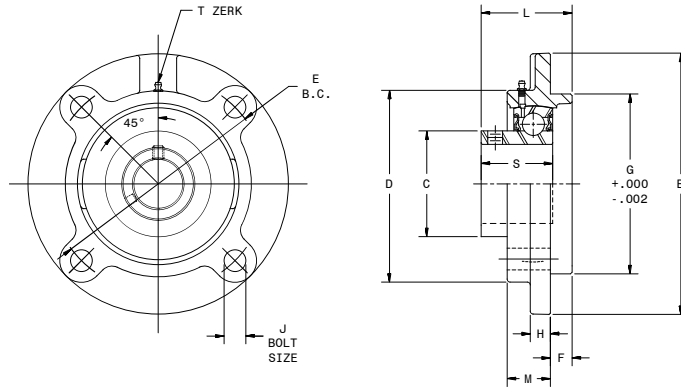
Certified prints are available upon request

Hub City IndustrialLine™ Bearing Units

Cast Iron Flange Cartridge

Series FC250

- Relube type. Prelubricated at factory
- Setscrew locking
- Self-aligning replacement bearing
- Nitrile rubber seals with steel trash guard
- Precision bored Cast Iron Housing



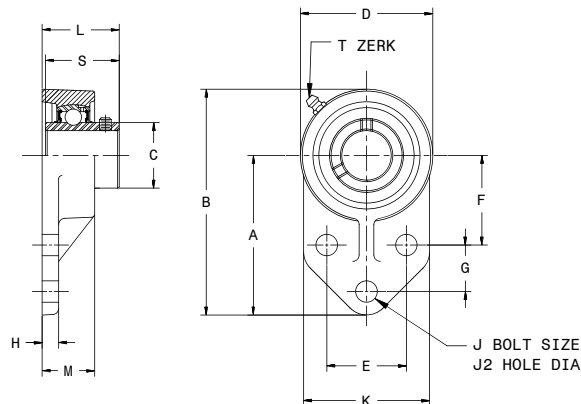
SHAFT SIZE	DIMENSIONS											WT. LBS.
	B	C	D	E	F	G	H	J	L	M	S	
1-1/8, 1-3/16, 1-1/4S	4.37	1.594	3.25	3.622	0.25	3.000	0.37	0.374	1.481	0.95	1.156	3.3
1-1/4, 1-3/8, 1-7/16	5.00	1.859	3.62	4.134	0.37	3.374	0.37	0.472	1.593	0.87	1.281	3.9
1-1/2	5.24	2.062	3.88	4.370	0.44	3.622	0.43	0.472	1.854	1.02	1.422	4.1
1-5/8, 1-11/16, 1-3/4	6.10	2.297	4.25	5.118	0.47	4.252	0.47	0.551	1.795	0.87	1.437	5.5
1-15/16, 2S	6.10	2.469	4.50	5.118	0.47	4.252	0.43	0.551	1.897	0.98	1.547	6.1
2, 2-3/16	6.38	2.719	4.88	5.394	0.63	4.500	0.43	0.551	2.180	0.98	1.656	8.9
2-1/4, 2-7/16	7.09	2.980	5.38	5.984	0.87	5.000	0.50	0.630	2.590	1.02	1.911	11.3
2-15/16	8.74	3.640	6.38	7.500	0.78	6.378	0.56	0.748	3.080	1.42	2.137	15.4

Part Numbers are specified by "FC250" and Bore Size. Example: FC250 x 1-1/2.
For Load Ratings, see page M-14.

For replacement inserts use B250 Bearing Inserts, see page M-35.
T-Zerk: 1/4-28 Taper

Series FR250W

- Cast Iron Housings
- Wide Inner Race
- Self Aligning Replaceable Bearing
- Setscrew Lock Inserts
- Pre-lubricated with Lithium Grease
- Nitrile rubber seals with steel flingers
- Precision Bored Housings



SHAFT SIZE	DIMENSIONS														WT. LBS.
	A	B	C	D	E	F	G	H	J	J2	K	L	M	S	
1/2, 5/8, 3/4	3.00	4.25	1.188	2.50	1.500	1.688	0.875	0.31	0.375	0.394	2.38	1.345	1.00	1.219	1.5
7/8, 1	3.38	4.75	1.375	2.75	1.625	1.812	1.125	0.38	0.375	0.394	2.50	1.375	1.12	1.375	1.9
1-1/8, 1-3/16, 1-1/4S	3.75	5.38	1.594	3.25	1.875	2.063	1.250	0.38	0.375	0.394	2.75	1.607	1.25	1.500	2.2
1-1/4, 1-3/8, 1-7/16	4.25	6.12	1.859	3.75	2.000	2.375	1.250	0.50	0.500	0.551	3.25	1.827	1.44	1.688	3.6
1-1/2	4.50	6.44	2.062	3.94	2.000	2.375	1.625	0.63	0.500	0.551	3.06	1.937	1.41	1.937	4.6
1-11/16, 1-3/4	4.75	6.87	2.297	4.18	2.125	2.562	1.688	0.72	0.500	0.551	3.13	1.937	1.50	1.937	5.0
1-15/16	5.18	7.50	2.469	4.65	2.750	2.937	1.625	0.50	0.500	0.551	4.00	2.031	1.50	2.031	5.7

Dimensions shown are for reference only.
To order, specify type and bore size. Example: FR250W x 1-7/16
T-Zerk: 1/4-28 Taper

Replacement Inserts For 100 and 200 Series Setscrew Lock Use YW250

DOWNLOAD AVAILABLE CAD MODELS AT: WWW.HUBCITYINC.COM

Certified prints are available upon request

EMAIL: hubsales@regalbeloit.com • www.hubcityinc.com



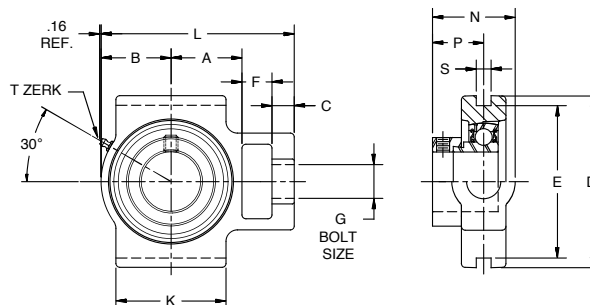
Hub City IndustriaLine™ Bearing Units

Standard Slot Take-Up Units

Series TU220, TU250

TU220 Standard Slot Take-Up Units

- Relube type. Prelubricated at factory
- Eccentric locking collar
- Self-aligning replaceable bearing
- Nitrile rubber seals with steel trash guard
- Precision bored Cast Iron housing



NOTE: BEARINGS WITH ECCENTRIC LOCKING COLLARS ARE NOT RECOMMENDED FOR USE IN REVERSING APPLICATIONS.

SHAFT SIZE	USE WITH FRAME NO. ★	DIMENSIONS												WT. LBS.
		A	B	C	D	E	F	G	K	L	N	P	S§	
3/4	3 thru 9T200BC	1.29	1.26	0.40	3.50	3.000	0.63	0.75	1.73	3.93	1.652	0.922	0.311	1.6
7/8, 1	3 thru 9T200BC	1.29	1.38	0.40	3.50	3.000	0.63	0.75	1.93	4.05	1.652	0.922	0.311	1.9
1-1/8, 1-3/16, 1-1/4S	3 thru 12T200DE	1.61	1.58	0.51	4.02	3.504	0.75	0.87	2.36	4.68	1.857	1.047	0.311	2.5
1-1/4, 1-3/8, 1-7/16	3 thru 12T200DE	1.69	1.70	0.51	4.02	3.504	0.75	0.87	2.64	5.00	1.966	1.156	0.311	2.9
1-1/2	3 thru 18T200FH	1.89	1.89	0.63	4.49	4.000	0.75	1.14	2.95	5.47	2.187	1.282	0.311	4.1
1-11/16, 1-3/4	3 thru 18T200FH	2.05	2.04	0.63	4.49	4.000	0.75	1.14	3.11	5.78	2.187	1.282	0.311	4.6
1-15/16	3 thru 18T200FH	2.20	2.17	0.63	4.49	4.000	0.75	1.14	3.31	6.06	2.187	1.282	0.311	4.6
2, 2-3/16, 2-1/4	9 thru 18T200JK	2.38	2.37	0.75	5.75	5.126	1.00	1.38	3.70	6.81	2.502	1.437	0.311	8.3
2-7/16	9 thru 18T200JK	2.70	2.87	0.75	5.75	5.126	1.00	1.38	4.06	7.67	2.576	1.511	0.311	8.6

Part Numbers are specified by "TU220" and Bore Size. Example: TU220 x 1-1/2.

★ Take-Up Frames shown on page M-33.

§ Take-Up Units with wider slots are shown on page M-30.

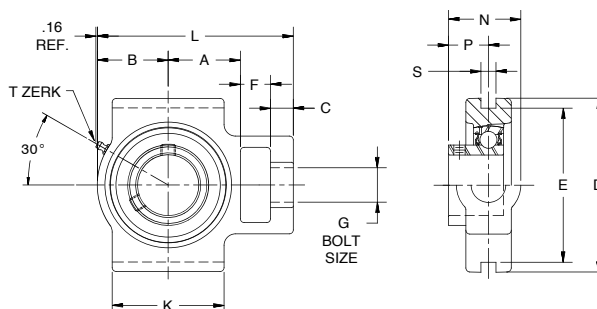
T-Zerk: 1/4-28 Taper

For Load Ratings, see page M-14.

For replacement inserts use B220 Bearing Inserts, see page M-35.

TU250 Standard Slot Take-Up Units

- Relube type. Prelubricated at factory
- Setscrew locking
- Self-aligning replaceable bearing
- Nitrile rubber seals with steel trash guard
- Precision bored Cast Iron housing



SHAFT SIZE	USE WITH FRAME NO. ★	DIMENSIONS												WT. LBS.
		A	B	C	D	E	F	G	K	L	N	P	S§	
3/4	3 thru 9T20BC	1.29	1.26	0.40	3.50	3.000	0.63	0.75	1.73	3.93	1.449	0.719	0.311	1.6
7/8, 1	3 thru 9T20BC	1.29	1.38	0.40	3.50	3.000	0.63	0.75	1.93	4.05	1.496	0.766	0.311	1.9
1-1/8, 1-3/16, 1-1/4S	3 thru 12T20DE	1.61	1.58	0.51	4.02	3.504	0.75	0.87	2.36	4.68	1.591	0.781	0.311	2.5
1-1/4, 1-3/8, 1-7/16	3 thru 12T20DE	1.69	1.70	0.51	4.02	3.504	0.75	0.87	2.64	5.00	1.669	0.859	0.311	2.9
1-1/2	3 thru 18T20FH	1.89	1.890	0.63	4.49	4.000	0.75	1.14	2.95	5.47	1.840	0.934	0.311	4.1
1-11/16, 1-3/4	3 thru 18T20FH	2.05	2.040	0.63	4.49	4.000	0.75	1.14	3.11	5.78	1.860	0.953	0.311	4.6
1-15/16, 2S	3 thru 18T20FH	2.20	2.170	0.63	4.49	4.000	0.75	1.14	3.31	6.06	1.950	1.047	0.311	4.6
2-3/16, 2-1/4	9 thru 18T20JK	2.38	2.370	0.75	5.75	5.126	1.00	1.38	3.70	6.81	2.175	1.110	0.311	8.3
2-7/16	9 thru 18T20JK	2.70	2.870	0.75	5.75	5.126	1.00	1.38	4.06	7.67	2.396	1.330	0.311	8.6

Part Numbers are specified by "TU250" and Bore Size. Example: TU250 x 1-1/2 or TU250N x 1-1/2.

★ Take-Up Frames shown on page M-33.

§ Take-Up Units with wider slots are shown on page M-30.

For Load Ratings, see page M-14.

For replacement inserts use B250 Bearing Inserts, see page M-35.

T-Zerk: 1/4-28 Taper

† DIMENSIONS SHOWN ARE FOR REFERENCE ONLY.

DOWNLOAD AVAILABLE CAD MODELS AT: WWW.HUBCITYINC.COM

Certified prints are available upon request

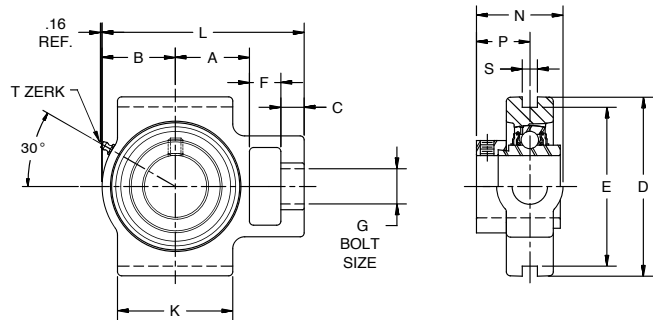
Hub City IndustrialLine™ Bearing Units

Hub-Alloy® Standard Slot Take-Up Units

Series TU220W, TU250W

TU220W Standard Slot Take-Up Units

- Relube type. Prelubricated at factory
- Eccentric locking collar
- Self-aligning replaceable bearing
- Nitrile rubber seals with steel flingers
- Precision bored Cast Iron housing
- Wide inner race



NOTE: BEARINGS WITH ECCENTRIC LOCKING COLLARS ARE NOT RECOMMENDED FOR USE IN REVERSING APPLICATIONS.

SHAFT SIZE	USE WITH FRAME NO. ★	DIMENSIONS												WT. LBS.
		A	B	C	D	E	F	G	K	L	N	P	S§	
7/8, 1	3 thru 9T20BC	1.29	1.38	0.40	3.50	3.000	0.63	0.75	1.93	4.05	1.79	1.062	0.311	1.9
1-1/8, 1-3/16, 1-1/4S	3 thru 12T20DE	1.61	1.58	0.51	4.02	3.504	0.75	0.87	2.36	4.68	2.00	1.188	0.311	2.5
1-1/4, 1-3/8, 1-7/16	3 thru 12T20DE	1.69	1.70	0.51	4.02	3.504	0.75	0.87	2.64	5.00	2.09	1.281	0.311	2.9
1-1/2	3 thru 18T20FH	1.89	1.89	0.63	4.49	4.000	0.75	1.14	2.95	5.47	2.28	1.375	0.311	4.1
1-11/16, 1-3/4	3 thru 18T20FH	2.05	2.04	0.63	4.49	4.000	0.75	1.14	3.11	5.78	2.28	1.375	0.311	4.6
1-15/16	3 thru 18T20FH	2.20	2.17	0.63	4.49	4.000	0.75	1.14	3.31	6.06	2.41	1.500	0.311	4.6
2, 2-3/16, 2-1/4	9 thru 18T20JK	2.38	2.37	0.75	5.75	5.126	1.00	1.38	3.70	6.81	2.78	1.719	0.311	8.3
2-7/16	9 thru 18T20JK	2.70	2.87	0.75	5.75	5.126	1.00	1.38	4.06	7.67	2.91	1.844	0.311	8.6

Part Numbers are specified by "TU220W" and Bore Size. Example: TU220W x 1-1/2.

★ Take-Up Frames shown on page M-33.

§ Take-Up Units with wider slots are shown on page M-31.

For replacement inserts use YW220 Bearing Inserts, see page M-36.

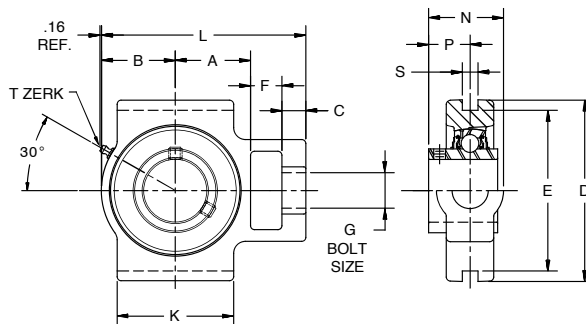
T-Zerk: 1/4-28 Taper

For Load Ratings, see page M-14.

* Bearing protrudes beyond edge of housing.

TU250W Standard Slot Take-Up Units

- Relube type. Prelubricated at factory
- Setscrew locking
- Self-aligning replaceable bearing
- Nitrile rubber seals with steel trash guard
- Precision bored Cast Iron housing
- Wide inner race



SHAFT SIZE	USE WITH FRAME NO. ★	DIMENSIONS												WT. LBS.
		A	B	C	D	E	F	G	K	L	N	P	S§	
3/4	3 thru 9T20BC	1.29	1.26	0.40	3.50	3.000	0.63	0.75	1.73	3.93	1.45	0.719	0.311	1.6
7/8, 1	3 thru 9T20BC	1.29	1.38	0.40	3.50	3.000	0.63	0.75	1.93	4.05	1.54	0.812	0.311	1.9
1-1/8, 1-3/16, 1-1/4S	3 thru 12T20DE	1.61	1.58	0.51	4.02	3.504	0.75	0.87	2.36	4.68	1.68	0.875	0.311	2.5
1-1/4, 1-3/8, 1-7/16	3 thru 12T20DE	1.69	1.70	0.51	4.02	3.504	0.75	0.87	2.64	5.00	1.81	1.000	0.311	2.9
1-1/2	3 thru 18T20FH	1.89	1.89	0.63	4.49	4.000	0.75	1.14	2.95	5.47	2.10	1.187	0.311	4.1
1-11/16, 1-3/4	3 thru 18T20FH	2.05	2.04	0.63	4.49	4.000	0.75	1.14	3.11	5.78	2.09	1.187	0.311	4.6
1-15/16, 2S	3 thru 18T20FH	2.20	2.17	0.63	4.49	4.000	0.75	1.14	3.31	6.06	2.19	1.281	0.311	4.6
2, 2-3/16, 2-1/4	9 thru 18T20JK	2.38	2.37	0.75	5.75	5.126	1.00	1.38	3.70	6.81	2.38	1.312	0.311	8.3
2-7/16	9 thru 18T20JK	2.70	2.87	0.75	5.75	5.126	1.00	1.38	4.06	7.67	2.63	1.562	0.311	8.6

Part Numbers are specified by "TU250W" and Bore Size. Example: TU250W x 1-1/2.

★ Take-Up Frames shown on page M-33.

§ Take-Up Units with wider slots are shown on page M-31.

T-Zerk: 1/4-28 Taper

For Load Ratings, see page M-14.

For replacement inserts use YW250 Bearing Inserts, see page M-36.

DOWNLOAD AVAILABLE CAD MODELS AT: WWW.HUBCITYINC.COM

Certified prints are available upon request

¶ DIMENSIONS SHOWN ARE FOR REFERENCE ONLY.

EMAIL: hubsales@regalbeloit.com • www.hubcityinc.com



M-29

IndustrialLine™ Bearings



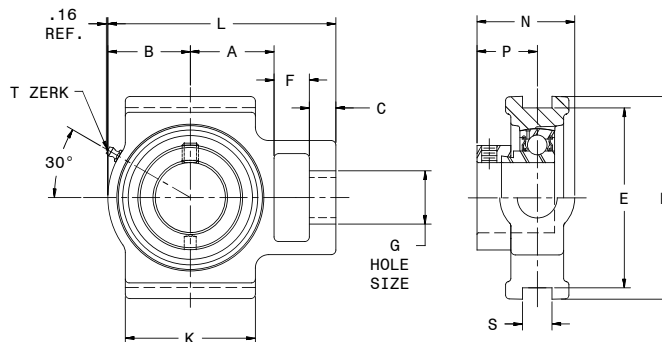
Hub City IndustriaLine™ Bearing Units

Wide Slot Take-Up Units

Series WSTU220, WSTU250

WSTU220 Wide Slot Take-Up Units

- Relube type. Prelubricated at factory
- Eccentric locking collar
- Self-aligning replaceable bearing
- Nitrile rubber seals with steel trash guard
- Precision bored Cast Iron housing
- Wide slot take-up frames are shown on page M-34



NOTE: BEARINGS WITH ECCENTRIC LOCKING COLLARS ARE NOT RECOMMENDED FOR USE IN REVERSING APPLICATIONS.

SHAFT SIZE	USE WITH FRAME NO. ★	DIMENSIONS												WT. LBS.
		A	B	C	D	E	F	G	K	L	N	P	S§	
3/4	3 Thru 9TWS20BC	1.33	1.34	0.40	3.50	3.000	0.63	0.75	2.00	3.86	1.552	0.922	0.531	1.6
7/8, 1	3 Thru 9TWS20BC	1.41	1.38	0.40	3.50	3.000	0.63	0.75	2.00	3.98	1.552	0.922	0.531	1.9
1-1/8, 1-3/16, 1-1/4S	3 Thru 12TWS20DE	1.73	1.69	0.40	4.02	3.504	0.75	0.87	2.25	4.61	1.777	1.047	0.531	2.5
1-1/4, 1-3/8, 1-7/16	3 Thru 12TWS20DE	1.93	2.01	0.51	4.02	3.504	0.75	0.87	2.52	5.24	1.886	1.156	0.531	2.9
1-1/2	3 Thru 18TWS20FH	2.12	2.17	0.63	4.49	4.000	0.75	1.14	3.27	5.83	2.247	1.282	0.689	4.1
1-11/16, 1-3/4	3 Thru 18TWS20FH	2.05	2.24	0.63	4.49	4.000	0.75	1.14	3.27	5.83	2.247	1.282	0.689	4.6
1-15/16	3 Thru 18TWS20FH	2.16	2.33	0.63	4.49	4.000	0.75	1.14	3.38	6.03	2.247	1.282	0.689	4.8
2, 2-3/16, 2-1/4	9 Thru 18TWS20JK	2.44	2.56	0.75	5.75	5.126	0.98	1.38	3.74	6.89	2.697	1.437	1.063	8.3
2-7/16	9 Thru 18TWS20JK	2.68	2.95	0.75	5.75	5.126	1.26	1.38	4.02	7.80	2.771	1.511	1.063	8.8

Part Numbers are specified by "WSTU220" and Bore Size.

Example: WSTU220 x 3/4.

★ Take-Up Frames shown on page M-34.

§ Take-Up Units with narrower slots are shown on page M-28.

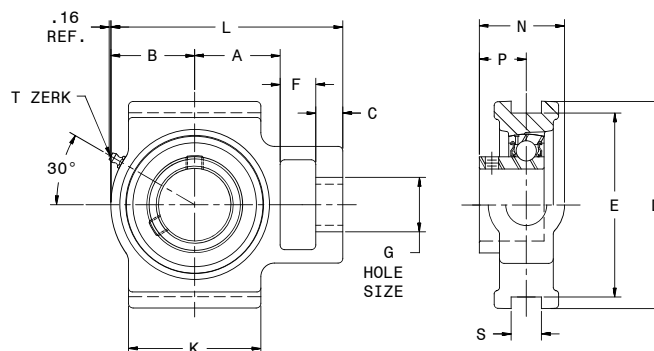
For Load Ratings, see page M-14. For Comparison Charts, see page M-45.

For replacement inserts use B220 Bearing Inserts, see page M-35.

T-Zerk: 1/4-28 Taper

WSTU250 Wide Slot Take-Up Units

- Relube type. Prelubricated at factory
- Setscrew locking
- Self-aligning replaceable bearing
- Nitrile rubber seals with steel trash guard
- Precision bored Cast Iron housing



SHAFT SIZE	USE WITH FRAME NO. ★	DIMENSIONS												WT. LBS.
		A	B	C	D	E	F	G	K	L	N	P	S§	
3/4	3 Thru 9TWS20BC	1.33	1.34	0.40	3.50	3.000	0.63	0.75	2.00	3.86	1.349	0.719	0.531	1.6
7/8, 1	3 Thru 9TWS20BC	1.41	1.38	0.40	3.50	3.000	0.63	0.75	2.00	3.98	1.396	0.766	0.531	1.9
1-1/8, 1-3/16, 1-1/4S	3 Thru 12TWS20DE	1.73	1.69	0.40	4.02	3.504	0.75	0.87	2.25	4.61	1.511	0.781	0.531	2.5
1-1/4, 1-3/8, 1-7/16	3 Thru 12TWS20DE	1.93	2.01	0.51	4.02	3.504	0.75	0.87	2.52	5.24	1.589	0.859	0.531	2.9
1-1/2	3 Thru 18TWS20FH	2.12	2.17	0.63	4.49	4.000	0.75	1.14	3.27	5.83	1.853	0.934	0.689	4.1
1-5/8, 1-11/16, 1-3/4	3 Thru 18TWS20FH	2.05	2.24	0.63	4.49	4.000	0.75	1.14	3.27	5.83	1.873	0.953	0.689	4.6
1-15/16, 2S	3 Thru 18TWS20FH	2.16	2.33	0.63	4.49	4.000	0.75	1.14	3.38	6.03	1.962	1.047	0.689	4.8
2, 2-3/16, 2-1/4	9 Thru 18TWS20JK	2.44	2.56	0.75	5.75	5.126	0.98	1.38	3.74	6.89	2.370	1.110	1.063	8.3
2-7/16	9 Thru 18TWS20JK	2.68	2.95	0.75	5.75	5.126	1.26	1.38	4.02	7.80	2.591	1.330	1.063	8.8

Part Numbers are specified by "WSTU250" and Bore Size.

Example: WSTU250 x 3/4.

★ Take-Up Frames shown on page M-34.

§ Take-Up Units with narrower slots are shown on page M-28.

For Load Ratings, see page M-14. For Comparison Charts, see page M-45.

For replacement inserts use B250 Bearing Inserts, see page M-35.

T-Zerk: 1/4-28 Taper

¶ DIMENSIONS SHOWN ARE FOR REFERENCE ONLY.

DOWNLOAD AVAILABLE CAD MODELS AT: WWW.HUBCITYINC.COM

Certified prints are available upon request

Hub City IndustrialLine™ Bearing Units

Wide Slot Take-Up Units

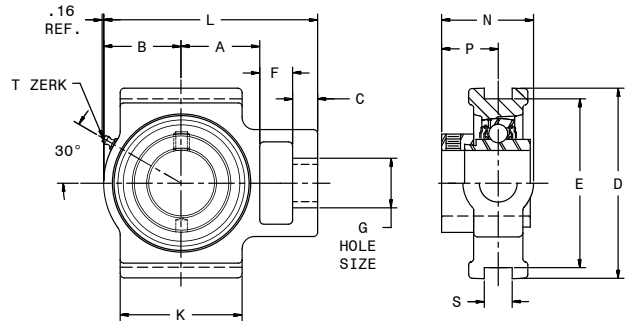
IndustrialLine™ Bearings



Series WSTU220W, WSTU250W

WSTU220W Wide Slot Take-Up Units

- Relube type. Pre-lubricated at factory
- Eccentric locking collar
- Self-aligning replaceable bearing
- Nitrile rubber seals with steel flingers
- Precision bored Cast Iron housing
- Wide slot take up frames are shown on page M-34



NOTE: BEARINGS WITH ECCENTRIC LOCKING COLLARS ARE NOT RECOMMENDED FOR USE IN REVERSING APPLICATIONS.

SHAFT SIZE	USE WITH FRAME NO. ★	DIMENSIONS													WT. LBS.
		A	B	C	D	E	F	G	K	L	N	P	S§		
7/8, 1	3 Thru 9TWS20BC	1.41	1.38	0.40	3.50	3.000	0.63	0.75	2.00	3.98	1.69	1.062	1.220	1.9	
1-1/8, 1-3/16, 1-1/4S	3 Thru 12TWS20DE	1.73	1.69	0.40	4.02	3.504	0.75	0.87	2.25	4.61	1.92	1.188	1.406	2.5	
1-1/4, 1-3/8, 1-7/16	3 Thru 12TWS20DE	1.93	2.01	0.51	4.02	3.504	0.75	0.87	2.52	5.24	2.01	1.281	1.531	2.9	
1-1/2	3 Thru 18TWS20FH	2.12	2.17	0.63	4.49	4.000	0.75	1.14	3.27	5.83	2.34	1.375	0.689	4.1	
1-11/16, 1-3/4	3 Thru 18TWS20FH	2.05	2.24	0.63	4.49	4.000	0.75	1.14	3.27	5.83	2.34	1.375	0.689	4.6	
1-15/16	3 Thru 18TWS20FH	2.16	2.33	0.63	4.49	4.000	0.75	1.14	3.38	6.03	2.47	1.500	0.689	4.8	
2, 2-3/16	9 Thru 18TWS20JK	2.44	2.56	0.75	5.75	5.126	0.98	1.38	3.74	6.89	2.98	1.719	1.063	8.3	
2-7/16	9 Thru 18TWS20JK	2.68	2.95	0.75	5.75	5.126	1.26	1.38	4.02	7.80	3.11	1.844	1.063	8.8	

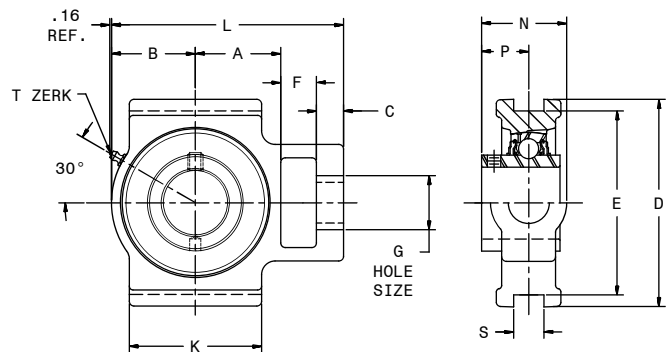
Part Numbers are specified by "WSTU220W" and Bore Size.
Example: WSTU220W x 3/4.

For Load Ratings, see page M-14. For Comparison Charts, see page M-45.
For replacement inserts use YW220 Bearing Inserts, see page M-36.
T-Zerk: 1/4-28 Taper

- ★ Take-Up Frames shown on page M-34.
- § Take-Up Units with narrower slots are shown on page M-29.

WSTU250W Wide Slot Take-Up Units

- Relube type. Pre-lubricated at factory
- Setscrew locking
- Self-aligning replaceable bearing
- Nitrile rubber seals with steel flingers
- Precision bored Cast Iron housing



SHAFT SIZE	USE WITH FRAME NO. ★	DIMENSIONS													WT. LBS.
		A	B	C	D	E	F	G	K	L	N	P	S§		
3/4	3 Thru 9TWS20BC	1.33	1.34	0.40	3.50	3.000	0.63	0.75	2.00	3.86	1.35	0.719	0.531	1.6	
7/8, 1	3 Thru 9TWS20BC	1.41	1.38	0.40	3.50	3.000	0.63	0.75	2.00	3.98	1.44	0.812	0.531	1.9	
1-1/8, 1-3/16, 1-1/4S	3 Thru 12TWS20DE	1.73	1.69	0.40	4.02	3.504	0.75	0.87	2.25	4.61	1.60	0.875	0.531	2.5	
1-1/4, 1-3/8, 1-7/16	3 Thru 12TWS20DE	1.93	2.01	0.51	4.02	3.504	0.75	0.87	2.52	5.24	1.73	1.000	0.531	2.9	
1-1/2	3 Thru 18TWS20FH	2.12	2.17	0.63	4.49	4.000	0.75	1.14	3.27	5.83	2.15	1.187	0.689	4.1	
1-11/16, 1-3/4	3 Thru 18TWS20FH	2.05	2.24	0.63	4.49	4.000	0.75	1.14	3.27	5.83	2.15	1.187	0.689	4.6	
1-15/16	3 Thru 18TWS20FH	2.16	2.33	0.63	4.49	4.000	0.75	1.14	3.38	6.03	2.25	1.281	0.689	4.8	
2, 2-3/16	9 Thru 18TWS20JK	2.44	2.56	0.75	5.75	5.126	0.98	1.38	3.74	6.89	2.57	1.312	1.063	8.3	
2-7/16	9 Thru 18TWS20JK	2.68	2.95	0.75	5.75	5.126	1.26	1.38	4.02	7.80	2.82	1.562	1.063	8.8	

Part Numbers are specified by "WSTU250W" and Bore Size.
Example: WSTU250W x 3/4.

For Load Ratings, see page M-14. For Comparison Charts, see page M-45.
For replacement inserts use YW250 Bearing Inserts, see page M-36.
T-Zerk: 1/4-28 Taper

- ★ Take-Up Frames shown on page M-34.
- § Take-Up Units with narrower slots are shown on page M-29.

DOWNLOAD AVAILABLE CAD MODELS AT: WWW.HUBCITYINC.COM

† DIMENSIONS SHOWN ARE FOR REFERENCE ONLY.

Certified prints are available upon request

EMAIL: hubsales@regalbeloit.com • www.hubcityinc.com



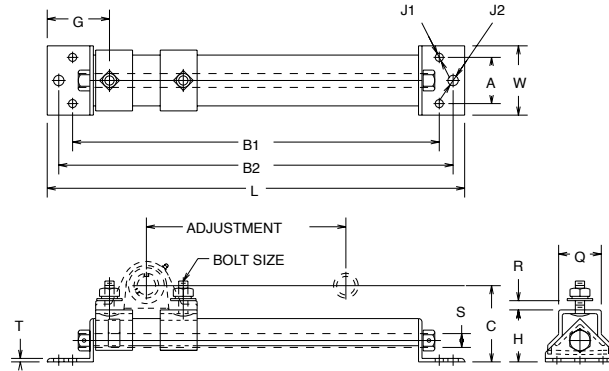
Hub City IndustriaLine™ Bearing Units

Take-Up Frames

Series T210

Protected Screw Take-Up Frames

- Three bolt base mounting
- Welded steel construction
- Plated adjusting screw



PART NUMBER	SHAFT SIZE	DIMENSIONS														BOLT SIZE	WT. LBS.
		L	W	A	B1	B2	G	H	J1	J2	Q	R	S	T			
6T210BC-3	3/4 - 1	17.125	3.25	2.25	13.875	15.875	3.313	2.375	0.438	0.563	1.750	0.563	0.625	0.188	0.375	6.0	
9T210BC-3	3/4 - 1	20.125	3.25	2.25	16.875	18.875	3.313	2.375	0.438	0.563	1.750	0.563	0.625	0.188	0.375	6.7	
6T210DH-3	1-1/16 - 2S	18.188	3.50	2.50	15.438	16.938	3.375	2.813	0.438	0.563	2.313	0.875	0.750	0.188	0.500	8.9	
9T210DH-3	1-1/16 - 2S	22.625	3.50	2.50	19.875	21.375	3.375	2.813	0.438	0.563	2.313	0.875	0.750	0.188	0.500	10.3	
12T210DH-3	1-1/16 - 2S	24.188	3.50	2.50	21.438	22.938	3.375	2.813	0.438	0.563	2.313	0.875	0.750	0.188	0.500	10.9	
18T210DH-3	1-1/16 - 2S	31.625	3.50	2.50	28.875	30.375	3.375	2.813	0.438	0.563	2.313	0.875	0.750	0.188	0.500	13.3	
12T210JK-3	2 - 2-7/16	28.000	4.50	3.00	24.750	26.750	4.000	3.313	0.563	0.688	2.625	0.938	1.000	0.250	0.625	18.3	
18T210JK-3	2 - 2-7/16	34.000	4.50	3.00	30.750	32.750	4.000	3.313	0.563	0.688	2.625	0.938	1.000	0.250	0.625	21.2	

Protected Screw Take-Up Frames are designed for use with:

PB220, PB221, PB220W, PB221W, PB220HW and PB221HW Pillow Blocks.

PB250, PB251, PB250W, PB251W, PB250HW and PB251HW Pillow Blocks.

PB350 and PB350H Pillow Blocks.

* "C" dimension is obtained by adding "H" in the table above to "A" from Pillow Block Dimension tables.

The first digit of the part number represents the nominal adjustment which is possible. Because of the dimensional differences of the various Pillow Blocks, this adjustment varies according to the specifications noted below.

Actual Amount of Adjustment

SHAFT SIZE	FRAME PART NUMBER							
	6T210BC-3	9T210BC-3	6T210DH-3	9T210DH-3	12T210DH-3	18T210DH-3	12T210JK-3	18T210JK-3

WHEN USED WITH 200 SERIES PILLOW BLOCKS

3/4	6.375	9.375	—	—	—	—	—	—
13/16 - 1	6.000	9.000	—	—	—	—	—	—
1-1/16 - 1-3/16	—	—	—	10.813	12.375	19.813	—	—
1-1/4 - 1-7/16	—	—	6.375	10.438	12.000	19.438	—	—
1-1/2 - 1-9/16	—	—	—	5.563	10.000	11.563	—	—
1-5/8 - 1-3/4	—	—	—	5.188	9.625	11.188	—	—
1-13/16 - 2S	—	—	—	4.563	9.000	10.563	—	—
2 - 2-3/16	—	—	—	—	—	—	12.750	18.750
2-1/4 - 2-7/16	—	—	—	—	—	—	12.000	18.000

WHEN USED WITH 350 SERIES PILLOW BLOCKS

1-7/16	—	—	6.625	11.063	12.625	20.063	—	—
1-1/2 - 1-3/4	—	—	6.125	10.563	—	—	14.688	20.688
1-15/16 - 2-15/16	—	—	5.625	10.063	—	—	14.188	20.188
2-3/16 - 2-1/4	—	—	—	—	—	—	13.563	19.563
2-7/16 - 2-1/2	—	—	—	—	—	—	12.813	18.813

† DIMENSIONS SHOWN ARE FOR REFERENCE ONLY.

DOWNLOAD AVAILABLE CAD MODELS AT: WWW.HUBCITYINC.COM

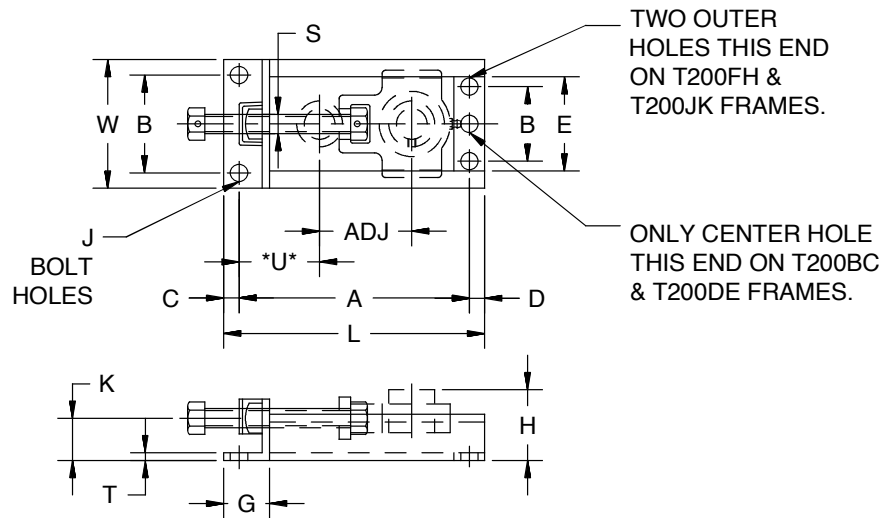
Certified prints are available upon request

Hub City IndustrialLine™ Bearing Units Take-Up Frames

Series T200

T200 Side Mounting Take-Up Frames

- Welded steel construction
- Plated adjusting screw



PART NUMBER	SHAFT SIZE RANGE		ADJUSTMENT	DIMENSIONS												(J) BOLT HOLES		WT. LBS.
	FOR "200" SERIES UNITS	FOR "300" SERIES UNITS		L	W	A	B	C	D	E	G	H MAX.	K	S	T	NO.	SIZE	
	3T200BC	3/4 - 1			3.000	8.500	4.188	7.500	3.188	0.500	0.500	3.063	1.500	2.297	1.375	0.625	0.250	
6T200BC	3/4 - 1		6.000	11.500	4.188	10.500	3.188	0.500	0.500	3.063	1.500	2.297	1.375	0.625	0.250	3.000	0.563	4.4
9T200BC	3/4 - 1		9.000	14.500	4.188	13.500	3.188	0.500	0.500	3.063	1.500	2.297	1.375	0.625	0.250	3.000	0.563	5.5
3T200DE	1-1/16 - 1-7/16		3.000	9.375	4.688	8.375	3.688	0.500	0.500	3.563	1.500	2.531	1.375	0.750	0.250	3.000	0.563	4.3
6T200DE	1-1/16 - 1-7/16		6.000	12.375	4.688	11.375	3.688	0.500	0.500	3.563	1.500	2.531	1.375	0.750	0.250	3.000	0.563	5.3
9T200DE	1-1/16 - 1-7/16		9.000	15.375	4.688	14.375	3.688	0.500	0.500	3.563	1.500	2.531	1.375	0.750	0.250	3.000	0.563	6.3
12T200DE	1-1/16 - 1-7/16		12.000	18.375	4.688	17.375	3.688	0.500	0.500	3.563	1.500	2.531	1.375	0.750	0.250	3.000	0.563	7.4
3T200FH	1-1/2 - 2S	1-7/16 - 1-3/4	3.000	11.000	5.188	9.875	3.063	0.500	0.625	4.063	2.000	2.938	1.625	1.000	0.250	4.000	0.563	6.3
6T200FH	1-1/2 - 2S	1-7/16 - 1-3/4	6.000	14.000	5.188	12.875	3.063	0.500	0.625	4.063	2.000	2.938	1.625	1.000	0.250	4.000	0.563	7.6
9T200FH	1-1/2 - 2S	1-7/16 - 1-3/4	9.000	17.000	5.188	15.875	3.063	0.500	0.625	4.063	2.000	2.938	1.625	1.000	0.250	4.000	0.563	9.1
12T200FH	1-1/2 - 2S	1-7/16 - 1-3/4	12.000	20.000	5.188	18.875	3.063	0.500	0.625	4.063	2.000	2.938	1.625	1.000	0.250	4.000	0.563	10.5
18T200FH	1-1/2 - 2S	1-7/16 - 1-3/4	18.000	26.000	5.188	24.875	3.063	0.500	0.625	4.063	2.000	2.938	1.625	1.000	0.250	4.000	0.563	13.2
9T200JK	2 - 2-7/16	1-15/16 - 2-3/16	9.000	18.250	6.375	16.875	4.125	0.625	0.750	5.250	2.000	3.438	1.875	1.250	0.3125	4.000	0.688	13.9
12T200JK	2 - 2-7/16	1-15/16 - 2-3/16	12.000	21.250	6.375	19.875	4.125	0.625	0.750	5.250	2.000	3.438	1.875	1.250	0.3125	4.000	0.688	15.0
18T200JK	2 - 2-7/16	1-15/16 - 2-3/16	18.000	27.250	6.375	25.875	4.125	0.625	0.750	5.250	2.000	3.438	1.875	1.250	0.3125	4.000	0.688	19.8

These Take-Up Frames are used with TU220, TU250, TU220W and TU250W Take-Up Units shown on pages M-28 and M-29 and with TU350 Take-Up Units shown on page M-40.

*NOTE — "U" may have more than one value, depending on the Take-Up Unit and Frame combination used, therefore determine "U" from frame dimensions "G" minus "C" plus Take-Up Unit dimensions "A", "C" and "F".

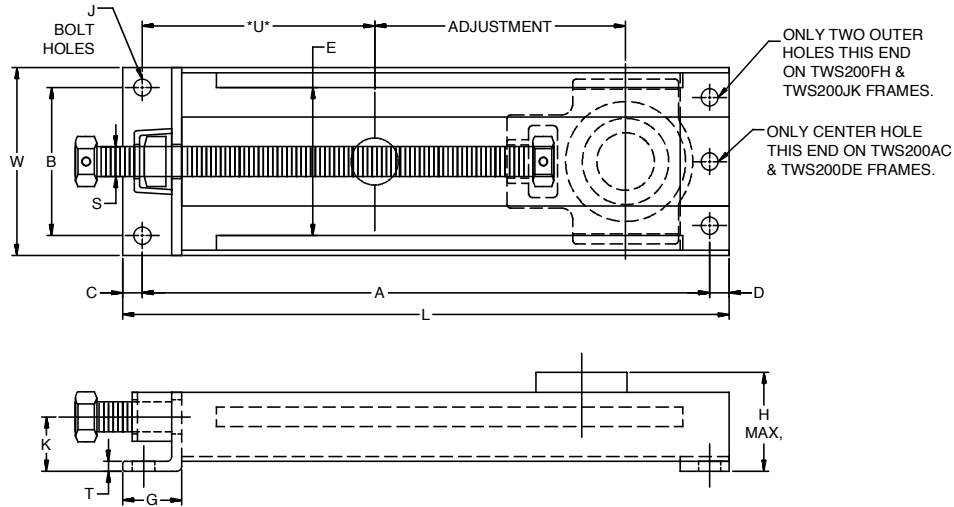
Hub City IndustrialLine™ Bearing Units

Take-Up Frames

Series TWS200

TWS200 Wide Slot Take-Up Frames

- Welded steel construction
- Plated adjusting screw



PART NUMBER	SHAFT SIZE RANGE		ADJUSTMENT	DIMENSIONS												(J) BOLT HOLES		WT. LBS.
	FOR "200" SERIES UNITS	FOR "300" SERIES UNITS		L	W	A	B	C	D	E	G	H MAX.	K	S	T	NO.	SIZE	
1TWS200AC	1/2 - 1		1-1/2	7.000	4.063	6.000	3.188	.500	.500	3.063	1.500	2.438	1.375	.625	.250	3	.563	3.3
3TWS200AC	1/2 - 1		3	8.500	4.063	7.500	3.188	.500	.500	3.063	1.500	2.438	1.375	.625	.250	3	.563	3.9
6TWS200AC	1/2 - 1		6	11.500	4.063	10.500	3.188	.500	.500	3.063	1.500	2.438	1.375	.625	.250	3	.563	5.1
9TWS200AC	1/2 - 1		9	14.500	4.063	13.500	3.188	.500	.500	3.063	1.500	2.438	1.375	.625	.250	3	.563	6.2
3TWS200DE	1-1/8 - 1-7/16	1 - 1-1/4	3	9.500	4.688	8.375	3.688	.500	.500	3.563	1.500	2.656	1.375	.750	.250	3	.563	5.4
6TWS200DE	1-1/8 - 1-7/16	1 - 1-1/4	6	12.500	4.688	11.375	3.688	.500	.500	3.563	1.500	2.656	1.375	.750	.250	3	.563	6.7
9TWS200DE	1-1/8 - 1-7/16	1 - 1-1/4	9	15.500	4.688	14.375	3.688	.500	.500	3.563	1.500	2.656	1.375	.750	.250	3	.563	8.1
12TWS200DE	1-1/8 - 1-7/16	1 - 1-1/4	12	18.500	4.688	17.375	3.688	.500	.500	3.563	1.500	2.656	1.375	.750	.250	3	.563	9.5
3TWS200FH	1-1/2 - 2S	1-7/16 - 1-3/4	3	11.500	5.063	9.875	3.063	1.00	.625	4.063	2.000	3.125	1.625	1.000	.250	4	.563	7.4
6TWS200FH	1-1/2 - 2S	1-7/16 - 1-3/4	6	14.500	5.063	12.875	3.063	1.00	.625	4.063	2.000	3.125	1.625	1.000	.250	4	.563	9.1
9TWS200FH	1-1/2 - 2S	1-7/16 - 1-3/4	9	17.500	5.063	15.875	3.063	1.00	.625	4.063	2.000	3.125	1.625	1.000	.250	4	.563	10.8
12TWS200FH	1-1/2 - 2S	1-7/16 - 1-3/4	12	20.500	5.063	18.875	3.063	1.00	.625	4.063	2.000	3.125	1.625	1.000	.250	4	.563	12.5
18TWS200FH	1-1/2 - 2S	1-7/16 - 1-3/4	18	24.500	5.063	24.875	3.063	1.00	.625	4.063	2.000	3.125	1.625	1.000	.250	4	.563	15.9
9TWS200JK	2 - 2-7/16	1-15/16 - 2-3/16	9	18.250	6.313	16.875	4.125	1.00	.750	5.188	2.000	3.719	1.875	1.250	.313	4	.688	20.0
12TWS200JK	2 - 2-7/16	1-15/16 - 2-3/16	12	21.250	6.313	19.875	4.125	1.00	.750	5.188	2.000	3.719	1.875	1.250	.313	4	.688	22.8
18TWS200JK	2 - 2-7/16	1-15/16 - 2-3/16	18	27.250	6.313	25.875	4.125	1.00	.750	5.188	2.000	3.719	1.875	1.250	.313	4	.688	28.2

These Take-Up Frames are used with WSTU220, WSTU250, WSTU220W and WSTU250W Take-Up Units shown on pages M-30 and M-31 and with WSTU350 Take-Up Units shown on page M-41.

*NOTE — "U" may have more than one value, depending on the Take-Up Unit and Frame combination used, therefore determine "U" from frame dimensions "G" minus "C" plus Take-Up Unit dimensions "A", "C" and "F".

Hub City IndustrialLine™ Bearing Units

Bearing Inserts

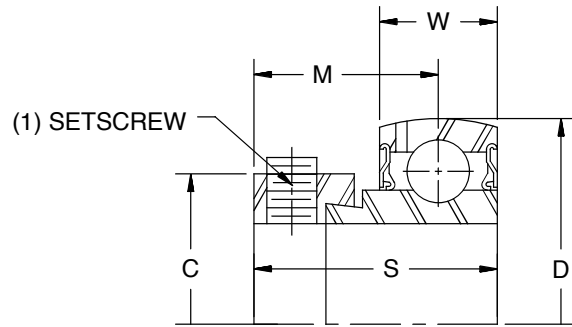
IndustrialLine™ Bearings



Series B220, B250

B220 Bearing Inserts

- Spherical outside diameter
- Relube type. Pre-lubricated at factory
- Molded glass fiber reinforced polyamide retainer
- Nitrile rubber seals with steel trash guard
- Eccentric locking collar



NOTE: BEARINGS WITH ECCENTRIC LOCKING COLLARS ARE NOT RECOMMENDED FOR USE IN REVERSING APPLICATIONS.

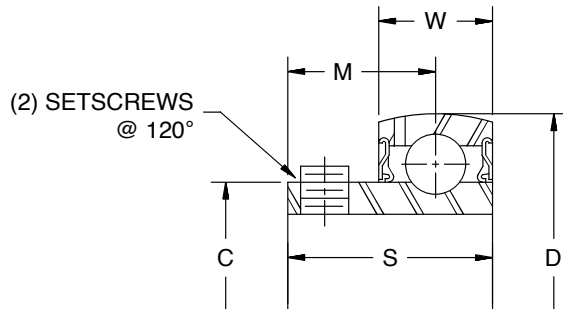
SHAFT SIZE	DIMENSIONS						SETSCREW	WT. LBS.
	C	D	M	S	W			
1/2, 5/8	1.188	1.5748	0.875	1.188	0.512	1/4-28 UNF	0.2	
3/4	1.312	1.8504	0.922	1.266	0.591	1/4-28 UNF	0.3	
7/8, 1	1.500	2.0472	0.922	1.266	0.591	1/4-28 UNF	0.4	
1-1/8, 1-3/16, 1-1/4S	1.750	2.4409	1.047	1.422	0.709	5/16-24 UNF	0.6	
1-1/4, 1-3/8, 1-7/16	2.188	2.8346	1.156	1.578	0.748	3/8-24 UNF	1.0	
1-1/2	2.375	3.1496	1.282	1.766	0.866	3/8-24 UNF	1.3	
1-11/16, 1-3/4	2.500	3.3465	1.282	1.766	0.866	3/8-24 UNF	1.6	
1-15/16, 2S	2.750	3.5433	1.282	1.781	0.906	3/8-24 UNF	1.7	
2, 2-3/16	3.000	3.9370	1.437	1.984	0.984	7/16-20 UNF	2.4	
2-7/16	3.350	4.3307	1.511	2.091	1.062	7/16-20 UNF	3.0	

Part Numbers are specified by "B220" and Bore Size. Example B220 x 1-1/4.

Used in PB220, PB221 Pillow Blocks; FB220, FB230 Flange Blocks; and TU220, WSTU220 Take-Up Units.

B250 Bearing Inserts

- Spherical outside diameter
- Relube type. Pre-lubricated at factory
- Molded glass fiber reinforced polyamide retainer
- Nitrile rubber seals with steel trash guard
- Setscrew Locking



SHAFT SIZE	DIMENSIONS						SETSCREW	WT. LBS.
	C	D	M	S	W			
1/2, 5/8	0.969	1.5748	0.625	0.938	0.512	10-32	0.3	
3/4	1.188	1.8504	0.719	1.062	0.591	1/4-28 UNF	0.3	
7/8, 15/16, 1	1.375	2.0472	0.766	1.110	0.591	1/4-28 UNF	0.4	
1-1/8, 1-3/16, 1-1/4S	1.594	2.4409	0.781	1.156	0.709	1/4-28 UNF	0.6	
1-1/4, 1-3/8, 1-7/16	1.859	2.8346	0.859	1.281	0.748	5/16-24 UNF	0.9	
1-1/2	2.062	3.1496	0.934	1.422	0.866	5/16-24 UNF	1.5	
1-11/16, 1-3/4	2.297	3.3465	0.953	1.437	0.866	5/16-24 UNF	1.8	
1-15/16, 2S	2.469	3.5433	1.047	1.547	0.906	3/8-24 UNF	1.8	
2, 2-3/16	2.719	3.9370	1.110	1.656	0.984	3/8-24 UNF	2.4	
2-1/4, 2-7/16	2.980	4.3307	1.330	1.911	1.062	3/8-24 UNF	2.9	
2-15/16	3.640	5.1181	1.535	2.137	1.142	3/8-24 UNF	4.9	

Part Numbers are specified by "B250" and Bore Size. Example B250 x 1-1/4.

Used in PB100, PB100L, PB150, PB150L, PB250, PB251, TPB250 Pillow Blocks; FB100, FB110, FB150, FB160, FB250, FB260 Flange Blocks; and TU250, WSTU250 Take-Up Units.

DOWNLOAD AVAILABLE CAD MODELS AT: WWW.HUBCITYINC.COM

Certified prints are available upon request

⚠ DIMENSIONS SHOWN ARE FOR REFERENCE ONLY.

EMAIL: hubsales@regalbeloit.com • www.hubcityinc.com



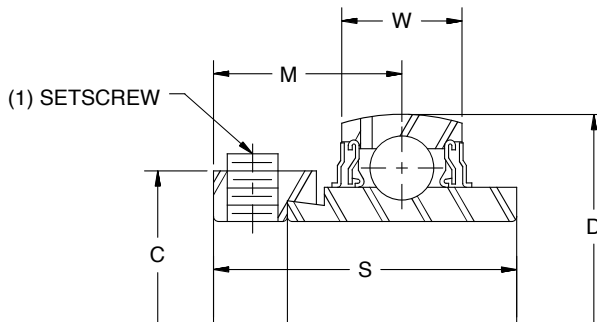
Hub City IndustrialLine™ Bearing Units

Bearing Inserts

Series YW220, YW250

YW220 Bearing Inserts

- Spherical outside diameter
- Relube type. Prelubricated at factory
- Molded glass fiber reinforced polyamide retainer
- Nitrile rubber seals with steel flingers
- Metal flingers
- Eccentric locking collar
- Wide inner race



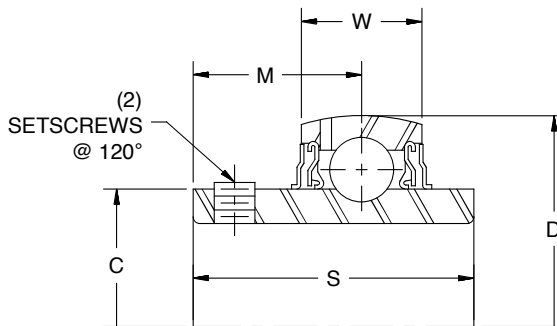
SHAFT SIZE	DIMENSIONS						WT. LBS.
	C	D	M	S	W	SETSCREW	
1	1.500	2.0472	1.062	1.750	0.591	1/4-28 UNF	0.6
1-3/16	1.750	2.4409	1.188	1.906	0.709	5/16-24 UNF	0.8
1-1/4, 1-3/8, 1-7/16	2.188	2.8346	1.281	2.016	0.748	3/8-24 UNF	1.4
1-1/2	2.375	3.1496	1.375	2.219	0.866	3/8-24 UNF	1.7
1-11/16, 1-3/4	2.500	3.3465	1.375	2.219	0.906	3/8-24 UNF	1.9
1-15/16	2.750	3.5433	1.500	2.469	1.063	3/8-24 UNF	2.1
2, 2-3/16	3.000	3.9370	1.719	2.812	0.984	7/16-20 UNF	3.1
2-7/16	3.375	4.3307	1.844	3.062	1.024	7/16-20 UNF	4.4

Part Numbers are specified by "YW220" and Bore Size. Example YW220 x 1-1/4.

Used in PB220W, PB221W, PB220HW, PB221HW Pillow Blocks; FB220HW, FB230HW Flange Blocks; and TU220W Take-Up Units.

YW250 Bearing Inserts

- Spherical outside diameter
- Relube type. Prelubricated at factory
- Molded glass fiber reinforced polyamide retainer
- Nitrile rubber seals with steel flingers
- Metal flingers
- Setscrew locking
- Wide inner race



SHAFT SIZE	DIMENSIONS						WT. LBS.
	C	D	M	S	W	SETSCREW	
5/8	0.969	1.5748	0.625	1.031	0.512	1/4-28 UNF	0.2
3/4	1.188	1.8504	0.719	1.219	0.590	1/4-28 UNF	0.3
1	1.375	2.0472	0.812	1.375	0.590	1/4-28 UNF	0.5
1-3/16, 1-1/4S	1.594	2.4409	0.875	1.500	0.708	1/4-28 UNF	0.7
1-1/4, 1-7/16	1.859	2.8346	1.000	1.688	0.748	5/16-24 UNF	1.0
1-1/2	2.062	3.1496	1.187	1.937	0.866	5/16-24 UNF	1.3
1-3/4	2.297	3.3465	1.187	1.937	0.866	5/16-24 UNF	1.6
1-15/16	2.469	3.5433	1.281	2.031	0.906	3/8-24 UNF	1.6
2	2.719	3.9370	1.312	2.187	0.984	3/8-24 UNF	2.5
2-7/16	2.984	4.3307	1.562	2.562	1.063	3/8-24 UNF	3.8

Part Numbers are specified by "YW250" and Bore Size. Example YW250 x 1-1/4.

Used in PB250W, PB251W, PB250HW, PB251HW, TPB250W Pillow Blocks; FB250HW, FB260HW Flange Blocks; and TU250W Take-Up Units.

† DIMENSIONS SHOWN ARE FOR REFERENCE ONLY.

DOWNLOAD AVAILABLE CAD MODELS AT: WWW.HUBCITYINC.COM

Certified prints are available upon request

Hub City IndustrialLine™ Bearing Units

Series 350 - Ratings

SHAFT SIZE	BASIC DYNAMIC RATING	BASIC STATIC RATING	BEARING RADIAL LOAD CAPACITY IN POUNDS BASED ON L-10 LIFE OF 500 HOURS AND STEADY LOAD CONDITIONS (2500 HOURS AVERAGE LIFE)							
			BEARING SPEED – REVOLUTIONS PER MINUTE (RPM)							
			100	500	1,000	1,500	2,000	2,500	3,000	3,500
1	4,380	2,570	3,040	1,780	1,410	1,230	1,120	1,040	980	930
1-3/16	5,780	3,490	4,010	2,350	1,860	1,630	1,480	1,360	1,290	---
1-7/16	7,340	4,470	5,100	2,980	2,370	2,070	1,880	1,750	1,650	---
1-1/2	7,900	5,140	5,480	3,210	2,540	2,220	2,020	1,880	---	---
1-11/16, 1-3/4	7,890	5,220	5,480	3,200	2,540	2,220	2,020	1,870	---	---
1-15/16, 2	9,750	6,600	6,770	3,960	3,140	2,740	2,490	---	---	---
2-3/16, 2-1/4	11,790	8,150	8,190	4,790	3,800	3,320	3,020	---	---	---
2-7/16, 2-1/2	13,970	10,060	9,700	5,670	4,500	3,930	---	---	---	---
2-11/16	14,840	11,220	10,300	6,020	4,780	4,170	---	---	---	---
2-15/16, 3	17,410	13,170	12,090	7,070	5,610	4,900	---	---	---	---
3-7/16, 3-1/2	21,560	16,300	14,970	8,750	6,950	6,070	---	---	---	---

For ultimate life, snug fit or light press on shaft should be used.

Maximum Recommended Speeds — 1" and smaller 3500 RPM

1-3/16" - 1-7/16" 3000 RPM

1-1/2" - 1-3/4" 2500 RPM

1-15/16" - 2-1/4" 2000 RPM

2-7/16" and larger 1800 RPM

Recommended Operating Temperature Range — 25° to + 225°F.

For applications not covered in the table above, consult factory engineering.

TO MODIFY THE ABOVE RATINGS FOR OTHER L-10 LIFE REQUIREMENTS OR FOR SHOCK LOADS MULTIPLY THE ABOVE RATINGS BY THE FACTOR FROM THIS CHART MODIFICATION FACTORS FOR L-10 SERVICE LIFE AND LOAD CONDITIONS:														
LOAD CONDITIONS	L-10 LIFE (HOURS)													
	500	700	1,000	1,500	2,000	3,000	4,000	5,000	7,000	10,000	15,000	20,000	30,000	50,000
Steady Load	1.00	.894	.794	.694	.630	.550	.500	.464	.415	.368	.322	.292	.255	.215
Light Shock	.90	.804	.715	.624	.567	.495	.450	.418	.373	.331	.290	.263	.230	.194
Moderate Shock	.70	.626	.556	.485	.441	.385	.350	.325	.290	.258	.225	.205	.179	.151

DOWNLOAD AVAILABLE CAD MODELS AT: WWW.HUBCITYINC.COM

Certified prints are available upon request

EMAIL: hubsales@regalbeloit.com • www.hubcityinc.com

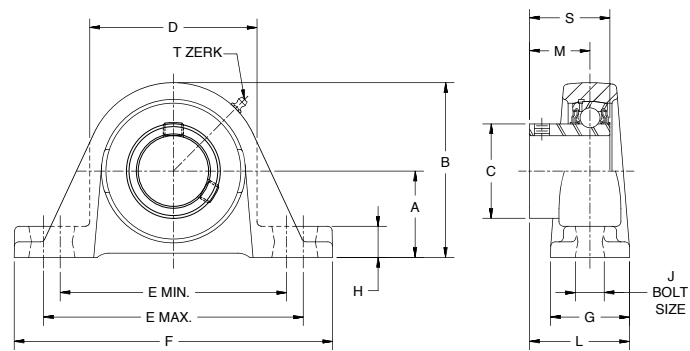


Hub City IndustriaLine™ Bearing Units

Cast Iron Pillow Blocks

Series PB350

- Relube type. Prelubricated at factory
- Setscrew locking
- Self-aligning replaceable bearing
- Nitrile rubber seals with steel trash guard
- Precision bored Cast Iron Housing



SHAFT SIZE	DIMENSIONS													WT. LBS.
	A	B	C	D	E MIN.	E MAX.	F	G	H	J	L	M	S	
1	1.688	3.344	1.590	3.000	4.188	5.063	6.188	1.750	0.719	0.500	1.650	0.774	1.154	3.6
1-3/16	1.875	3.688	1.850	3.438	4.625	5.375	6.750	1.750	0.719	0.500	1.790	0.917	1.278	4.8
1-7/16	2.125	4.188	2.060	3.875	5.125	5.938	7.250	2.000	0.813	0.500	1.940	0.940	1.420	6.2
1-1/2	2.313	4.563	2.300	4.125	5.594	6.344	7.813	2.188	0.813	0.625	2.050	0.956	1.436	8.0
1-3/4	2.313	4.625	2.460	4.313	5.750	6.500	7.938	2.250	0.813	0.625	2.170	1.044	1.544	8.0
1-15/16, 2	2.500	4.969	2.710	4.750	6.563	7.313	8.813	2.313	0.875	0.625	2.260	1.104	1.654	10.5
2-3/16, 2-1/4	2.750	5.563	2.980	5.250	6.875	8.000	9.625	2.500	1.188	0.750	2.630	1.319	1.909	11.3
2-7/16, 2-1/2	3.000	6.125	3.430	6.000	7.750	8.750	10.500	2.750	1.125	0.750	2.570	1.455	2.045	15.2
2-11/16	3.500	6.750	3.640	6.250	8.000	9.500	11.250	3.000	1.375	0.875	3.040	1.537	2.137	17.9
2-15/16, 3	3.500	7.000	3.920	6.750	8.500	10.250	12.000	3.250	1.125	0.875	3.170	1.544	2.264	19.1
3-7/16, 3-1/2	4.000	8.000	4.390	7.688	9.688	12.563	14.563	3.500	1.125	0.875	3.310	1.560	2.360	28.4

Part Numbers are specified by "PB350" and Bore Size.

Example: PB350 x 2-7/16.

For Load Ratings, see page M-37. For Comparison Charts, see page M-45.

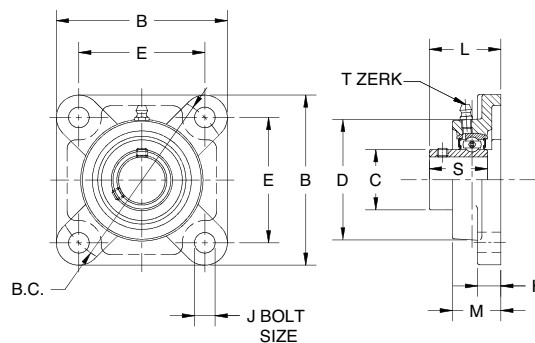
For replacement inserts use B350 Bearing Inserts, see page M-41.

T-Zerk: 1/4-28 Taper (up thru 1-1/2), 1/8 NPT on all larger units

Cast Iron Flange Blocks

Series FB350

- Relube type. Prelubricated at factory
- Setscrew locking
- Self-aligning replacement bearing
- Nitrile rubber seals with steel trash guard
- Precision bored Cast Iron Housing



SHAFT SIZE	DIMENSIONS											WT. LBS.
	B	B.C.	C	D	E	H	J	L	M	S		
1	4.25	4.596	1.590	3.19	3.250	0.55	0.375	1.483	1.22	1.154	3.0	
1-3/16	4.61	5.125	1.850	3.62	3.625	0.63	0.500	1.665	1.34	1.278	4.6	
1-7/16	5.12	5.656	2.060	4.09	4.000	0.63	0.500	1.767	1.42	1.420	5.4	
1-1/2	5.39	5.834	2.300	4.25	4.125	0.71	0.500	1.822	1.50	1.436	5.8	
1-3/4	5.63	6.187	2.460	4.45	4.375	0.71	0.500	1.910	1.57	1.544	7.0	
1-15/16, 2	6.38	7.248	2.710	4.92	5.125	0.78	0.625	2.088	1.69	1.654	9.2	
2-3/16, 2-1/4	6.88	7.955	2.980	5.31	5.625	0.78	0.625	2.461	1.89	1.909	12.1	
2-7/16, 2-1/2	7.25	8.309	3.427	6.25	5.875	0.63	0.656	2.438	1.88	2.045	15.4	
2-11/16	7.63	8.485	3.640	6.50	6.000	0.75	0.781	2.510	1.94	2.137	18.3	
2-15/16, 3	7.63	8.485	3.920	7.00	6.000	0.75	0.781	2.546	2.00	2.264	19.0	
3-7/16, 3-1/2	8.38	9.546	4.390	8.00	6.750	0.75	0.781	2.652	2.00	2.360	22.2	

Part Numbers are specified by "FB350" and Bore Size.

Example: FB350 x 2-7/16.

For Load Ratings, see page M-37. For Comparison Charts, see page M-46.

For replacement inserts use B350 Bearing Inserts, see page M-41.

T-Zerk: 1/4-28 Taper

⚠ DIMENSIONS SHOWN ARE FOR REFERENCE ONLY.

DOWNLOAD AVAILABLE CAD MODELS AT: WWW.HUBCITYINC.COM

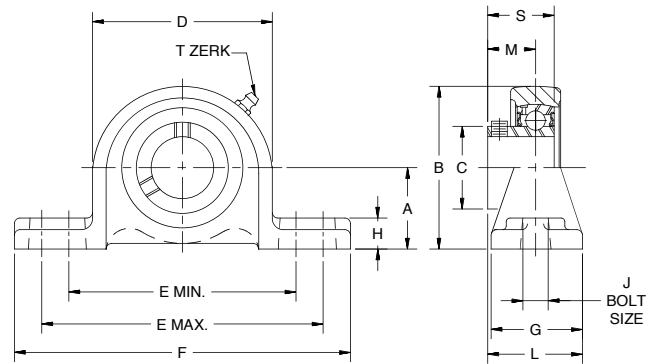
Certified prints are available upon request

Hub City IndustrialLine™ Bearing Units

Hub-Alloy® Pillow Blocks

Series PB350H

- Relube type. Prelubricated at factory
- Setscrew locking
- Self-aligning replacement bearing
- Nitrile rubber seals with steel trash guard
- Precision bored HUB-ALLOY® housing
- Higher strength and greater impact resistance than gray iron for high shock loads



SHAFT SIZE	DIMENSIONS													WT. LBS.
	A	B	C	D	E MIN.	E MAX.	F	G	H	J	L	M	S	
1	1.688	3.156	1.59	2.938	4.250	5.125	6.063	1.500	0.688	0.500	1.53	0.774	1.154	2.0
1-3/16	1.875	3.563	1.85	3.375	4.625	5.500	6.438	1.500	0.625	0.500	1.67	0.917	1.278	2.8
1-7/16	2.125	4.000	2.06	3.750	5.063	6.313	7.375	1.750	0.688	0.500	1.82	0.940	1.420	4.3
1-1/2	2.313	4.313	2.30	4.000	5.563	6.688	7.875	2.000	0.813	0.625	1.96	0.956	1.436	5.1
1-3/4	2.313	4.438	2.46	4.250	5.813	6.688	7.875	2.125	0.875	0.625	2.11	1.044	1.544	5.3
1-15/16, 2	2.500	4.844	2.71	4.688	6.063	7.438	8.625	2.375	0.875	0.625	2.29	1.104	1.654	6.6
2-3/16, 2-1/4	2.750	5.344	2.98	5.188	6.688	7.813	9.250	2.625	0.938	0.750	2.63	1.319	1.909	8.6
2-7/16, 2-1/2	3.000	5.938	3.43	5.875	7.438	8.563	10.000	2.875	0.938	0.750	2.89	1.455	2.045	12.4
2-11/16	3.500	6.563	3.64	6.125	8.313	9.688	11.313	3.000	1.000	0.875	3.04	1.537	2.137	15.3
2-15/16, 3	3.500	6.750	3.92	6.500	8.313	9.688	11.313	3.125	1.000	0.875	3.11	1.544	2.264	15.8
3-7/16, 3-1/2	4.000	7.688	4.39	7.375	9.688	12.563	14.188	3.500	1.188	0.875	3.31	1.560	2.360	23.3

Part Numbers are specified by "PB350H" and Bore Size.
Example: PB350H x 2-7/16.

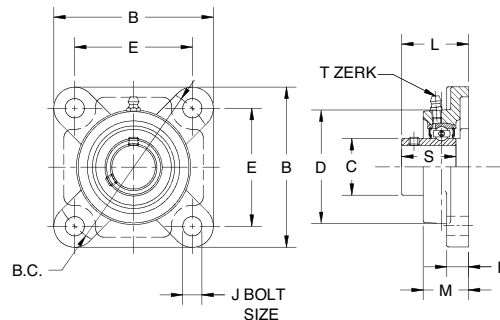
For replacement inserts use B350 Bearing Inserts, see page M-41.
T-Zerk: 1/4-28 Taper

For Load Ratings, see page M-37. For Comparison Charts, see page M-45.

Hub-Alloy® Flange Blocks

Series FB350H

- Relube type. Prelubricated at factory
- Setscrew locking
- Self-aligning replacement bearing
- Nitrile rubber seals with steel trash guard
- Precision bored HUB-ALLOY® housing
- Higher strength and greater impact resistance than gray iron for high shock loads



SHAFT SIZE	DIMENSIONS										WT. LBS.
	B	B.C.	C	D	E	H	J	L	M	S	
1	4.25	4.596	1.59	3.19	3.250	0.51	0.438	1.483	1.18	1.154	3.0000
1-3/16	4.61	5.125	1.85	3.62	3.625	0.56	0.500	1.665	1.34	1.278	4.2000
1-7/16	5.12	5.656	2.06	4.09	4.000	0.56	0.500	1.767	1.50	1.420	5.4000
1-1/2	5.39	5.834	2.30	4.25	4.125	0.56	0.500	1.822	1.57	1.436	5.8000
1-3/4	5.63	6.187	2.46	4.45	4.375	0.56	0.500	1.950	1.57	1.544	7.0000
1-15/16, 2	6.38	7.250	2.71	4.92	5.125	0.79	0.625	2.128	1.73	1.654	9.2000
2-3/16, 2-1/4	6.89	7.954	2.98	5.31	5.625	0.79	0.625	2.461	1.93	1.909	12.1000
2-7/16, 2-1/2	7.36	8.308	3.43	6.10	5.875	0.83	0.625	2.764	2.32	2.045	15.4000
2-11/16	7.75	8.485	3.64	6.38	6.000	0.94	0.750	2.994	2.36	2.137	18.3000
2-15/16, 3	7.75	8.485	3.92	6.77	6.000	0.94	0.750	3.119	2.68	2.264	19.0000
3-7/16, 3-1/2	8.42	9.546	4.39	7.68	6.750	0.94	0.750	3.135	2.75	2.360	22.2000

Part Numbers are specified by "FB350H" and Bore Size.
Example: FB350H x 2-7/16.

For replacement inserts use B350 Bearing Inserts, see page M-41.
T-Zerk: 1/4-28 Taper

For Load Ratings, see page M-37. For Comparison Charts, see page M-46.

DOWNLOAD AVAILABLE CAD MODELS AT: WWW.HUBCITYINC.COM

↑ DIMENSIONS SHOWN ARE FOR REFERENCE ONLY.

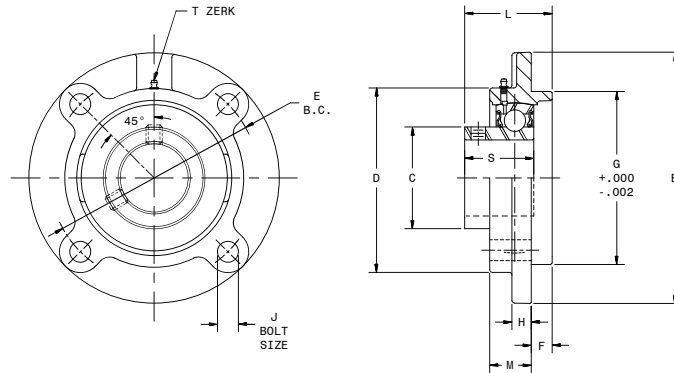
Certified prints are available upon request

Hub City IndustriaLine™ Bearing Units

Cast Iron Flange Cartridge

Series FC350

- Relube type. Prelubricated at factory
- Setscrew locking
- Self-aligning replacement bearing
- Nitrile rubber seals with steel trash guard
- Precision bored Cast Iron Housing



SHAFT SIZE	DIMENSIONS											WT. LBS.
	B	C	D	E	F	G	H	J	L	M	S	
1	4.37	1.59	3.25	3.622	0.25	3.000	0.37	0.313	1.418	0.94	1.154	3.3
1-3/16	5.00	1.85	3.62	4.134	0.37	3.374	0.37	0.375	1.602	0.87	1.278	3.3
1-7/16	5.24	2.06	3.88	4.370	0.44	3.622	0.43	0.375	1.734	1.02	1.420	3.9
1-1/2	6.10	2.30	4.25	5.118	0.44	4.252	0.43	0.375	1.612	1.02	1.436	4.1
1-3/4	6.13	2.46	4.50	5.118	0.47	4.252	0.43	0.500	1.829	0.98	1.544	5.5
1-15/16, 2	6.38	2.71	4.88	5.394	0.63	4.500	0.43	0.500	2.010	0.98	1.654	6.1
2-3/16, 2-1/4	7.13	2.98	5.38	5.984	0.87	5.000	0.50	0.500	2.346	1.02	1.909	8.9
2-7/16, 2-1/2	7.64	3.43	6.00	6.496	0.78	5.500	0.56	0.500	2.668	1.30	2.045	11.3
2-11/16	8.74	3.64	6.38	7.500	0.78	6.378	0.56	0.625	2.868	1.42	2.137	15.4
2-15/16, 3	8.74	3.92	6.62	7.500	0.87	6.378	0.63	0.625	2.886	1.38	2.264	15.2
3-7/16, 3-1/2	10.24	4.39	7.50	8.622	1.00	7.374	0.75	0.750	2.954	1.42	2.360	22.5

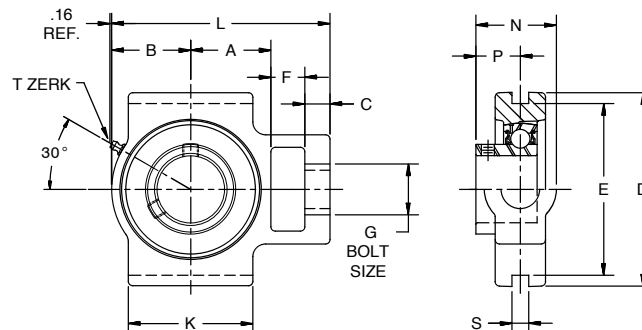
Part Numbers are specified by "FC350" and Bore Size. Example: FC350 x 1-1/2.
For Load Ratings, see page M-37. For Comparison Charts, see page M-40.

For replacement inserts use B350 Bearing Inserts, see page M-41.
T-Zerk: 1/4-28 Taper

Take-Up Units

Series TU350

- Relube type. Prelubricated at factory
- Setscrew locking
- Self-aligning replacement bearing
- Nitrile rubber seals with steel trash guard
- Precision bored Cast Iron housing



SHAFT SIZE	USE WITH FRAME NO. ★	DIMENSIONS											WT. LBS.	
		A	B	C	D	E	F	G	K	L	N	P		S
1-7/16	3 thru 18T200FH	1.89	1.89	0.630	4.490	4.000	0.750	1.00	2.95	5.16	1.85	0.940	0.311	4.0
1-1/2	3 thru 18T200FH	2.05	2.04	0.630	4.490	4.000	0.750	1.00	3.11	5.47	1.85	0.956	0.311	4.8
1-3/4	3 thru 18T200FH	2.20	2.17	0.630	4.490	4.000	0.750	1.00	3.31	5.75	1.95	1.044	0.311	6.8
1-15/16, 2	9 thru 18T200JK	2.38	2.37	0.750	5.750	5.126	1.000	1.25	3.70	6.50	2.17	1.104	0.311	9.6
2-3/16, 2-1/4	9 thru 18T200JK	2.70	2.87	0.750	5.750	5.126	1.000	1.25	4.06	7.32	2.38	1.319	0.311	12.0

Part Numbers are specified by "TU350" and Bore Size.
Example: TU350 x 2-1/4.
★ Take-Up Frames shown on page M-33.

For replacement inserts use B350 Bearing Inserts, see page M-41.
For Load Ratings, see page M-37.
T-Zerk: 1/4-28 Taper

† DIMENSIONS SHOWN ARE FOR REFERENCE ONLY.

DOWNLOAD AVAILABLE CAD MODELS AT: WWW.HUBCITYINC.COM

Certified prints are available upon request

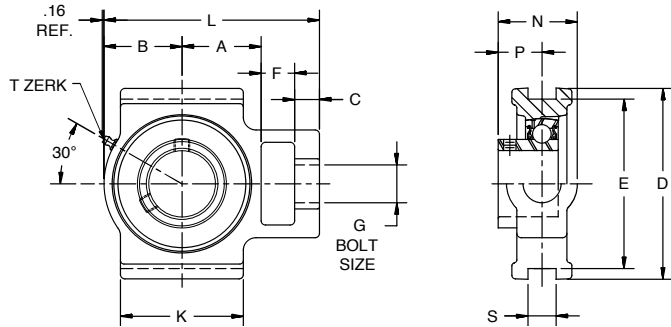
CALL: (605) 225-0360 • FAX: (605) 225-0567

Hub City IndustrialLine™ Bearing Units

Take-Up Units

Series WSTU350

- Relube type. Prelubricated at factory
- Setscrew locking
- Self-aligning replacement bearing
- Nitrile rubber seals with steel trash guard
- Precision bored Cast Iron housing



SHAFT SIZE	USE WITH FRAME NO. ★	DIMENSIONS												WT. LBS.
		A	B	C	D	E	F	G	K	L	N	P	S§	
1-7/16	3 Thru 18TWS200FH	2.12	2.17	0.63	4.49	4.000	0.75	1.00	3.27	5.67	1.91	0.940	0.689	4.0
1-1/2	3 Thru 18TWS200FH	2.05	2.24	0.63	4.49	4.000	0.75	1.00	3.27	5.67	1.92	0.956	0.689	4.8
1-3/4	3 Thru 18TWS200FH	2.16	2.33	0.63	4.49	4.000	0.75	1.00	3.38	5.87	2.01	1.044	0.689	6.8
1-15/16, 2	9 Thru 18TWS200JK	2.44	2.56	0.75	5.75	5.126	0.98	1.25	3.74	6.73	2.36	1.104	1.063	9.6
2-3/16, 2-1/4	9 Thru 18TWS200JK	2.68	2.95	0.75	5.75	5.126	1.26	1.25	4.02	7.64	2.85	1.319	1.063	12.0
2-7/16, 2-1/2	9 Thru 18TWS200JK	2.81	2.94	0.75	6.56	5.930	1.26	1.50	4.75	8.25	2.83	1.455	1.063	16.0

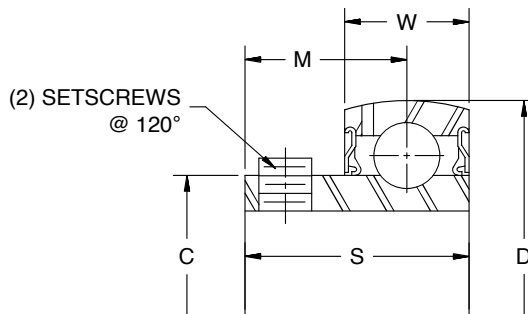
Part Numbers are specified by "TU350" and Bore Size. Example: TU350 x 2-1/4.
 For replacement inserts use B350 Bearing Inserts, see page M-41.
 T-Zerk: 1/4-28 Taper

★ Take-Up Frames shown on page M-34.
 For Load Ratings, see page M-37.

Bearing Inserts

Series B350

- Spherical outside diameter
- Relube type. Prelubricated at factory
- Molded glass fiber reinforced polyamide retainer
- Nitrile rubber seals with steel trash guard
- Setscrew locking
- Medium duty



SHAFT SIZE	DIMENSIONS					SETSCREW	WT. LBS.
	C	D	M	S	W		
1	1.59	2.4409	0.774	1.154	0.709	5/16-24 UNF	1.0
1-3/16	1.85	2.8346	0.917	1.278	0.748	5/16-24 UNF	1.3
1-7/16	2.06	3.1496	0.940	1.420	0.866	5/16-24 UNF	1.6
1-1/2	2.30	3.3465	0.956	1.436	0.866	5/16-24 UNF	1.9
1-3/4	2.46	3.5433	1.044	1.544	0.905	3/8-24 UNF	2.2
1-15/16, 2	2.71	3.9370	1.104	1.654	0.984	3/8-24 UNF	2.6
2-3/16, 2-1/4	2.98	4.3307	1.319	1.909	1.063	3/8-24 UNF	3.1
2-7/16, 2-1/2	3.43	4.9213	1.455	2.045	1.102	7/16-20 UNF	5.1
2-11/16	3.64	5.1181	1.537	2.137	1.142	7/16-20 UNF	5.6
2-15/16, 3	3.92	5.5118	1.544	2.264	1.299	7/16-20 UNF	6.4
3-7/16, 3-1/2	4.39	6.2992	1.560	2.360	1.456	1/2-20 UNF	8.5

Part Numbers are specified by "B350" and Bore Size. Example: B350 x 1-1/2.

Used in PB350, PB350H Pillow Blocks, FB350, FB350H Flange Blocks, FC350 Flange Cartridges and TU350 Take-Up Units.

DOWNLOAD AVAILABLE CAD MODELS AT: WWW.HUBCITYINC.COM

Certified prints are available upon request

† DIMENSIONS SHOWN ARE FOR REFERENCE ONLY.

EMAIL: hubsales@regalbeloit.com • www.hubcityinc.com



Hub City IndustriaLine™ Bearing Units

Interchange Comparisons

Series PB120 & PB150

HUB-ALLOY® Pillow Blocks
High Shaft Height

SHAFT SIZE	HUB CITY	BOSTON	BROWNING	SEALMASTER
	PB120 PB150	XL	VPS-M	LP
1/2	X 1/2	- 1/2	-108	-8
5/8	X 5/8	- 5/8	-110	-10
3/4	X 3/4	- 3/4	-112	-12
7/8	X 7/8	- 7/8	-114	-14
15/16	X 15/16	- 15/16	- 115	-15
1	X 1	-1	-116	-16
1-1/8	X 1-1/8	-1-1/8	-118	-18
1-3/16	X 1-3/16	-1-3/16	-119	-19
1-1/4S	X 1-1/4S	-1-1/4S	-120S	-20R
1-1/4	X 1-1/4	—	—	—
1-5/16	X 1-5/16	-1-5/16	—	—
1-3/8	X 1-3/8	-1-3/8	-122	-22
1-7/16	X 1-7/16	-1-7/16	-123	-23

① Non-Relube – Setscrew Lock
② Relube – Setscrew Lock

Series FB120 & FB150

Hub-Alloy®
Three-Hole Flange Blocks

SHAFT SIZE	HUB CITY	BOSTON	FAFNIR	BROWNING	PTC	SEALMASTER	DODGE
	FB120 FB150	XL3	VFD GVFD	VF3S-M	F-W-U/E F-WG-U/E	LF	SCLF N/L SCLF
1/2	X 1/2	- 1/2	- 1/2	-108	2B08	—	- 1/2
5/8	X 5/8	- 5/8	- 5/8	-110	210	—	- 5/8
3/4	X 3/4	- 3/4	- 3/4	-112	212	-12	- 3/4
7/8	X 7/8	- 7/8	- 7/8	-114	214	-14	- 7/8
15/16	X 15/16	- 15/16	- 15/16	-115	215	-15	- 15/16
1	X 1	-1	-1	-116	216	-16	-1
1-1/8	X 1-1/8	-1-1/8	-1-1/8	-118	218	-18	-1-1/8
1-3/16	X 1-3/16	-1-3/16	-1-3/16	-119	219	-19	-1-3/16
1-1/4S	X 1-1/4S	-1-1/4S	-1-1/4S	-120S	2E20	-20R	-1-1/4, 206
1-1/4	X 1-1/4	—	-1-1/4	—	220	-20	-1-1/4, 207
1-5/16	X 1-5/16	-1-5/16	-1-5/16	—	221	—	-1-5/16
1-3/8	X 1-3/8	-1-3/8	-1-3/8	-122	222	-22	-1-3/8
1-7/16	X 1-7/16	-1-7/16	-1-7/16	-123	223	-23	-1-7/16

① Non-Relube – Setscrew Lock
② Relube – Setscrew Lock

Series FB110, FB130 & FB160

Hub-Alloy®
Two-Hole Flange Blocks

SHAFT SIZE	HUB CITY	BOSTON	FAFNIR	BROWNING	PTC	SEALMASTER	DODGE
	FB110 FB130 FB160	XL2	VFTD GVFTD	VF2S-M	FX-W-U FX-WG-U	LFT	SCLFT N/L SCLFT
1/2	X 1/2	- 1/2	- 1/2	-108	2B08	-8	- 1/2
5/8	X 5/8	- 5/8	- 5/8	-110	210	-10	- 5/8
3/4	X 3/4	- 3/4	- 3/4	-112	212	-12	- 3/4
7/8	X 7/8	- 7/8	- 7/8	-114	214	-14	- 7/8
15/16	X 15/16	- 15/16	- 15/16	-115	215	-15	- 15/16
1	X 1	-1	-1	-116	216	-16	-1
1-1/8	X 1-1/8	-1-1/8	-1-1/8	-118	218	-18	-1-1/8
1-3/16	X 1-3/16	-1-3/16	-1-3/16	-119	219	-19	-1-3/16
1-1/4S	X 1-1/4S	-1-1/4S	-1-1/4S	-120S	2E20	-20R	-1-1/4, 206
1-1/4	X 1-1/4	—	-1-1/4	—	220	-20	-1-1/4, 207
1-5/16	X 1-5/16	-1-5/16	-1-5/16	—	221	—	-1-5/16
1-3/8	X 1-3/8	-1-3/8	-1-3/8	-122	222	-22	-1-3/8
1-7/16	X 1-7/16	-1-7/16	-1-7/16	-123	223	-23	-1-7/16

① Non-Relube – Setscrew Lock
② Relube – Setscrew Lock
③ Non-Relube – Eccentric Lock
④ Relube – Eccentric Lock

Series TPB220, TPB220W, TPB250 & TPB250W

Cast Iron Tapped Base
Pillow Blocks

SHAFT SIZE	HUB CITY	BROWNING	SEALMASTER	DODGE
	TPB220 TPB220W TPB250 TPB250W	MTBS VTBS	TB RTB	SCTB
1/2	X 1/2	-208	-8	- 1/2
5/8	X 5/8	-210	-10	- 5/8
3/4	X 3/4	-212	-12	- 3/4
7/8	X 7/8	-214	-14	- 7/8
15/16	X 15/16	-215	-15	- 15/16
1	X 1	-216	-16	-1
1-1/8	X 1-1/8	-218	-18	-1-1/8
1-3/16	X 1-3/16	-219	-19	-1-3/16
1-1/4S	X 1-1/4S	-220S	-20R	-1-1/4, 206
1-1/4	X 1-1/4	-220	-20	-1-1/4, 207
1-5/16	X 1-5/16	—	-21	-1-5/16
1-3/8	X 1-3/8	-222	-22	-1-3/8
1-7/16	X 1-7/16	-223	-23	-1-7/16
1-1/2	X 1-1/2	-224	-24	—
1-5/8	X 1-5/8	-226	-26	—
1-11/16	X 1-11/16	-227	-27	—
1-3/4	X 1-3/4	-228	-28	—
1-15/16	X 1-15/16	-231	-31	—
2S	X 2S	—	-32R	—
2	X 2	-232	—	—
2-3/16	X 2-3/16	—	—	—

① Non-Relube – Setscrew Lock
② Not available in MTBS Series
③ Not available in RTB Series

Interchanges are for comparison purposes; dimensions and ratings may vary.

DOWNLOAD AVAILABLE CAD MODELS AT: WWW.HUBCITYINC.COM

Certified prints are available upon request

Hub City IndustrialLine™ Bearing Units

Interchange Comparisons

Series PB220, PB220W, PB250, PB250W Cast Iron, PB220HW, PB250HW HUB-ALLOY® Pillow Blocks - Low

	SHAFT SIZE	HUB CITY	BOSTON	DODGE	FAFNIR	BROWNING	PTC	SEALMASTER	SKF	MCGILL
① Relube — Eccentric Lock		PB220 ①	L ① ②	SCB ②	LAK ①	MPLS ②	PL3-U ②	NPL ②	SYHP ③ ④	CL-25 ②
② Relube — Setscrew Lock		PB250 ②	SL ②	VSCB ② ③	RAK ①	MPLE ①	PL3-Y ①	RPL ② ③	SYH-X ②	
③ Non-Relube — Eccentric Lock		PB220W ① ③		SXRB ①	TAK ①	VPLS ② ④	PL3-W ①	VPL ② ③		
		PB250W ② ③		SXVB ① ③	VAK ①	VPLE ① ④				
④ VPLE and VPLS available in 100 and 200 Series	1/2	X 1/2	- 1/2	-	- 1/2	-108/208	2B08N/U	-8	-8	- 1/2
	5/8	X 5/8	- 5/8	-	-5/8	-110/210	210N/U	-10	-10	- 5/8
⑤ U or E Suffix on PL3-W only	3/4	X 3/4	- 3/4	- 3/4	- 3/4	-112/212	212N/U	-12	-12	-3/4
	7/8	X 7/8	- 7/8	- 7/8	- 7/8	-114/214	214N/U	-14	-14	- 7/8
⑥ 3 thru 12 Prefix on L Series	15/16	X 15/16	- 15/16	- 15/16	- 15/16	-115/215	215N/U	-15	-15	- 15/16
	1	X 1	-1	-1	-1	-116/216	216N/U	-16	-100	-1
	1-1/8	X 1-1/8	-1-1/8	-1-1/8	-1-1/8	-118/218	218N/E	-18	-102	-1-1/8
⑦ Not all sizes available	1-3/16	X 1-3/16	-1-3/16	-1-3/16	-1-3/16	-119/219	219N/E	-19	-103	-1-3/16
	1-1/4S	X 1-1/4S	-1-1/4S	-1-1/4, 206	-	-120S/220S	2E20N/E	-20R	-104A	-1-1/4S
	1-1/4	X 1-1/4	-1-1/4	-1-1/4, 207	-1-1/4	-220	220N/E	-20	-104	-1-1/4
⑧ 1 7/16 maximum shaft size	1-5/16	X 1-5/16	-1-5/16	-1 5/16	-1-5/16	-	221N/E	-21	-105	-
	1-3/8	X 1-3/8	-1-3/8	-1-3/8	-1-3/8	-122/222	222N/E	-22	-106	-1-3/8
‡ Not dimensionally interchangeable	1-7/16	X 1-7/16	-1-7/16	-1-7/16	-1-7/16	-123/223	223N/E	-23	-107	-1-7/16
	1-1/2	X 1-1/2	-1-1/2	-1-1/2	‡-1-1/2	-224	224N/E	-24	-108	-1-1/2
	1-5/8	X 1-5/8	-1-5/8	‡-1-5/8	-1-5/8	-226	226N/U	-26	-110	-1-5/8
	1-11/16	X 1-11/16	-1-11/16	-1-11/16	-1-11/16	-227	227N/U	-27	-111	-1-11/16
	1-3/4	X 1-3/4	-1-3/4	-1-3/4	-1-3/4	-228	228N/U	-28	-112	-1-3/4
	1-15/16	X 1-15/16	-1-15/16	-1-15/16	-1-15/16	-231	231N/U	-31	-115	-1-15/16
	2S	X 2S	-	-2, 210	-2S	-	2E32N/U	-2R	-	-2
	2	X 2	-2	-	-2	-232	232N	-32	-200	-2L
	2-3/16	X 2-3/16	-2-3/16	-2-7/16	-2-3/16	-235	235N	-35	-203	-2-3/16
	2-1/4	X 2-1/4	-2-1/4	‡-2-1/4	-2-1/4	-236	236N	-36	-204	-2-1/4
	2-7/16	X 2-7/16	-2-7/16	-2-7/16	-2-7/16	-239	239N	-39	-207	-2-3/8
	2-15/16	X 2-15/16	-	-	‡-2-15/16	-247	-	-	-215	‡-2-15/16

Series PB221, PB221W, PB251, PB251W Cast Iron, PB221HW, PB251HW HUB-ALLOY® Pillow Blocks - High

	SHAFT SIZE	HUB CITY	BOSTON	DODGE	FAFNIR	BROWNING	PTC	SEALMASTER	SKF	MCGILL
① Relube — Eccentric Lock		PB221 ①	H ① ②	SC ②	LAS ①	MPS ②	P3-U ②	NP ②	SY ②	C-25 ②
② Relube — Setscrew Lock		PB251 ②	SH ②	VSC ② ③	RAS ①	MPE ①	P3-Y ①	RP ② ③	SYP ③ ④	
③ Non-Relube — Eccentric Lock		PB221W ① ③		SXR ① ③	RASC ②	VPS ② ④	P3-W ① ⑤	VP ② ③		
		PB251W ② ③		SXV ① ③	SAS ②	VPE ① ④				
		PB221HW ① ③		TAS ①						
		PB251HW ② ③		VAS ①						
④ VPE and VPS available in 100 and 200 Series	1/2	X 1/2	- 1/2	1/2, 203	- 1/2	-108/208	2B08N/U	- 8	- 8	- 1/2
	5/8	X 5/8	- 5/8	5/8, 203	- 5/8	-110/210	210N/U	-10	-10	- 5/8
	3/4	X 3/4	- 3/4	- 3/4	- 3/4	-112/212	212N/U	-12	-12	- 3/4
	7/8	X 7/8	- 7/8	- 7/8	- 7/8	-114/214	214N/U	-14	-14	- 7/8
⑤ U or E Suffix on P3-W only	15/16	X 15/16	- 15/16	- 15/16	- 15/16	-115/215	215N/U	-15	-15	- 15/16
	1	X 1	-1	-1	-1	-116/216	216N/U	-16	-100	-1
	1-1/8	X 1-1/8	-1-1/8	‡-1-1/8	-1-1/8	-118/218	218N/E	-18	-102	-1-1/8
⑥ 3 thru 12 Prefix on H Series	1-3/16	X 1-3/16	-1-3/16	-1-3/16	-1-3/16	-119/219	219N/E	-19	-103	-1-3/16
	1-1/4S	X 1-1/4S	-1-1/4S	-1-1/4, 206	-	-120S/220S	2E20N/E	-20R	-104A	-1-1/4S
	1-1/4	X 1-1/4	-1-1/4	-1-1/4, 207	-1-1/4	-220	220N/E	-20	-104	-1-1/4
⑦ Not all sizes available	1-5/16	X 1 5/16	-1-5/16	-1-5/16	-1-5/16	-	221N/E	-21	-105	-
	1-3/8	X 1-3/8	-1-3/8	-1-3/8	-1-3/8	-122/222	222N/E	-22	-106	-1-3/8
⑧ 1 7/16 maximum shaft size	1-7/16	X 1-7/16	-1-7/16	-1-7/16	-1-7/16	-123/223	223N/E	-23	-107	-1-7/16
	1-1/2	X 1-1/2	-1-1/2	‡-1-1/2	‡-1-1/2	-224	224N/E	‡-24	-108	-1-1/2
	1-5/8	X 1-5/8	-1-5/8	-1-5/8	-1-5/8	-226	226N/U	-26	-110	-1-5/8
‡ Not dimensionally interchangeable	1-11/16	X 1-11/16	-1-11/16	-1-11/16	-1-11/16	-227	227N/U	-27	-111	-1-11/16
	1-3/4	X 1-3/4	-1-3/4	-1-3/4	-1-3/4	-228	228N/U	-28	-112	-1-3/4
	1-15/16	X 1-15/16	-1-15/16	-1 15/16	-1 15/16	-231	231N/U	-31	-115	-1-15/16
	2S	X 2S	-	-2, 210	-2S	-	2E32N/U	-2R	-	-2
	2	X 2	-2	-2, 211	-2	-232	232N	-32	-200	-2L
	2-3/16	X 2-3/16	-2-3/16	-2-3/16	-2-3/16	-235	235N	-35	-203	-2-3/16
	2-1/4	X 2-1/4	-2-1/4	-2 1/4, 212	-2-1/4	-236	236N	-36	-204	-2-1/4
	2-7/16	X 2-7/16	-2-7/16	-2-7/16	-2-7/16	-239	239N	-39	-207	-2-7/16
	2-15/16	X 2-15/16	-	‡-2-15/16	‡-2-15/16	-247	-	-	-215	‡-2-15/16

INTERCHANGES ARE FOR COMPARISON PURPOSES; DIMENSIONS AND RATINGS MAY VARY.

DOWNLOAD AVAILABLE CAD MODELS AT: WWW.HUBCITYINC.COM

Certified prints are available upon request

EMAIL: hubsales@regalbeloit.com • www.hubcityinc.com



IndustrialLine™ Bearings



Hub City IndustrialLine™ Bearing Units

Interchange Comparisons

Series FB220, FB250 Cast Iron; FB220HW, FB250HW Hub Alloy® 4-Hole Flange Blocks

SHAFT SIZE	HUB CITY	BOSTON	DODGE	FAFNIR	BROWNING	PTC	SEALMASTER	SKF	MCGILL	
	FB220® FB250® FB220HW® FB250HW®	F® SF®	SC4® VSC4® SXR4® SXV4®	LCJ® RCJ® RCJC® SCJ® TCJ® VCJ®	MF4S® MF4E® VF-4S® VF4E®	F3-U® F3-Y® F3-W®	SF® RF® VF®	FYP® FY® FY-X® FY-TM® FY-WN®	FC4-25®	
1/2	X 1/2	- 1/2	- 1/2, 203	- 1/2	-108/208	2B08N/U	-8	-8	- 1/2	① Relube – Eccentric Lock
5/8	X 5/8	- 5/8	- 5/8, 203	- 5/8	-110/210	210N/U	-10	-10	- 5/8	② Relube – Setscrew Lock
3/4	X 3/4	- 3/4	- 3/4	- 3/4	-112/212	212N/U	-12	-12	- 3/4	③ Non-Relube – Eccentric Lock
7/8	X 7/8	- 7/8	- 7/8	- 7/8	-114/214	214N/U	-14	-14	- 7/8	④ VF4E and VF4S available in 100 and 200 Series
15/16	X 15/16	- 15/16	- 15/16	- 15/16	-115/215	215N/U	-15	-15	- 15/16	⑤ U or E Suffix on F3-W only
1	X 1	-1	-1	-1	-116/216	216N/U	-16	-100	-1	⑥ 3 thru 12 Prefix on F Series
1-1/8	X 1-1/8	-1-1/8	-1-1/8	-1-1/8	-118/218	218N/E	-18	-102	-1-1/8	⑦ Not all sizes available
1-3/16	X 1-3/16	-1-3/16	-1-3/16	-1-3/16	-119/219	219N/E	-19	-103	-1-3/16	⑧ 1-7/16 maximum shaft size
1-1/4S	X 1-1/4S	-1-1/4S	-1-1/4, 206	—	-120S/220S	2E20N/E	-20R	—	-1-1/4S	‡ Not dimensionally interchangeable
1-1/4	X 1-1/4	-1-1/4	-1-1/4, 207	-1-1/4	-220	220N/E	-20	-104	-1-1/4	
1-5/16	X 1-5/16	-1-5/16	-1-5/16	-1-5/16	—	221N/E	-21	-105	-1-5/16	
1-3/8	X 1-3/8	-1-3/8	-1-3/8	-1-3/8	-122/222	222N/E	-22	-106	-1-3/8	
1-7/16	X 1-7/16	-1-7/16	-1-7/16	-1-7/16	-123/223	223N/E	-23	-107	-1-7/16	
1-1/2	X 1-1/2	-1-1/2	-1-1/2	-1-1/2	-224	224N/E	-24	-108	-1-1/2	
1-5/8	X 1-5/8	-1-5/8	‡-1-5/8	-1-5/8	-226	226N/U	-26	-110	-1-5/8	
1-11/16	X 1-11/16	-1-11/16	-1-11/16	-1-11/16	-227	227N/U	-27	-111	-1-11/16	
1-3/4	X 1-3/4	-1-3/4	-1-3/4	-1-3/4	-228	228N/U	-28	-112	-1-3/4	
1-15/16	X 1-15/16	-1-15/16	-1-15/16	-1-15/16	-231	231N/U	-31	-115	-1-15/16	
2S	X 2S	—	-2, 210	-2S	—	2E32N/U	-32R	—	-2	
2	X 2	-2	-2, 211	-2	-232	232N	-32	-200	-2L	
2-3/16	X 2-3/16	-2-3/16	-2-3/16	-2-3/16	-235	235N	-35	-203	-2-3/16	
2-1/4	X 2-1/4	-2-1/4	-2-1/4, 212	-2-1/4	-236	236N	-36	-204	-2-1/4	
2-7/16	X 2-7/16	-2-7/16	-2-7/16	-2-7/16	-239	239N	-39	-207	-2-7/16	
2-15/16	X 2-15/16	—	-2-15/16	-2-15/16	-247	—	-47	-215	-2-15/16	

Series FB230, FB260 Cast Iron; FB230HW, FB260HW Hub Alloy® 2-Hole Flange Blocks

SHAFT SIZE	HUB CITY	BOSTON	DODGE	FAFNIR	BROWNING	PTC	SEALMASTER	SKF	MCGILL	
	FB230® FB260® FB230HW® FB260HW®	T® ST®	SC2® VSC2® SXR2® SXV2®	LCJT® RCJT® RCJCT® SCJT® TCJT® VCJT®	MF2S® MF2E® VF2S® VF2E®	FX3-U® FX3-Y® FX3-W®	SFT® RFT® VFT®	FYPJ-P® FYTJ-S® FYTJ-X® FYT-FM®	FC2-25®	
1/2	X 1/2	- 1/2	- 1/2, 203	- 1/2	-108/208	2B08N/U	-8	-8	- 1/2	① Relube – Eccentric Lock
5/8	X 5/8	- 5/8	- 5/8, 203	- 5/8	-110/210	210N/U	-10	-10	- 5/8	② Relube – Setscrew Lock
3/4	X 3/4	- 3/4	- 3/4	- 3/4	-112/212	212N/U	-12	-12	- 3/4	③ Non-Relube – Eccentric Lock
7/8	X 7/8	- 7/8	- 7/8	- 7/8	-114/214	214N/U	-14	-14	- 7/8	④ VF2E and VF2S available in 100 and 200 Series
15/16	X 15/16	- 15/16	- 15/16	- 15/16	-115/215	215N/U	-15	-15	- 15/16	⑤ U or E Suffix on F3-W only
1	X 1	-1	-1	-1	-116/216	216N/U	-16	-100	-1	⑥ 3 thru 7 Prefix on T Series
1-1/8	X 1-1/8	-1-1/8	-1-1/8	-1-1/8	-118/218	218N/E	-18	-102	-1-1/8	⑦ Not all sizes available
1-3/16	X 1-3/16	-1-3/16	-1-3/16	-1-3/16	-119/219	219N/E	-19	-103	-1-3/16	⑧ 1-7/16 maximum shaft size
1-1/4S	X 1-1/4S	-1-1/4S	-1-1/4, 206	—	-120S/220S	2E20N/E	-20R	—	-1-1/4S	‡ Not dimensionally interchangeable
1-1/4	X 1-1/4	-1-1/4	-1-1/4, 207	-1-1/4	-220	220N/E	-20	-104	-1-1/4	
1-5/16	X 1-5/16	-1-5/16	-1-5/16	-1-5/16	—	221N/E	-21	-105	-1-5/16	
1-3/8	X 1-3/8	-1-3/8	-1-3/8	-1-3/8	-122/222	222N/E	-22	-106	-1-3/8	
1-7/16	X 1-7/16	-1-7/16	-1-7/16	-1-7/16	-123/223	223N/E	-23	-107	-1-7/16	
1-1/2	X 1-1/2	—	-1-1/2	-1-1/2	-224	224N/E	-24	-108	-1-1/2	
1-5/8	X 1-5/8	—	‡-1-5/8	-1-5/8	-226	226N/U	-26	-110	-1-5/8	
1-11/16	X 1-11/16	—	-1-11/16	-1-11/16	-227	227N/U	-27	-111	-1-11/16	
1-3/4	X 1-3/4	—	-1-3/4	-1-3/4	-228	228N/U	-28	-112	-1-3/4	
1-15/16	X 1-15/16	—	-1-15/16	-1-15/16	-231	231N/U	-31	-115	-1-15/16	
2S	X 2S	—	-2	-2S	—	2E32N/U	-32R	—	-2	
2	X 2	—	—	-2	-232	232N	-32	-200	-2L	
2-3/16	X 2-3/16	—	—	-2-3/16	-235	235N	-35	-203	-2-3/16	
2-1/4	X 2-1/4	-2-1/4	—	—	—	—	—	—	—	
2-7/16	X 2-7/16	-2-7/16	—	—	—	—	—	—	—	

INTERCHANGES ARE FOR COMPARISON PURPOSES; DIMENSIONS AND RATINGS MAY VARY.

DOWNLOAD AVAILABLE CAD MODELS AT: WWW.HUBCITYINC.COM

Certified prints are available upon request

Hub City IndustrialLine™ Bearing Units

Interchange Comparisons

Series WSTU220, WSTU250 HUB-ALLOY® Wide Slot Take-Up Units

SHAFT SIZE	HUB CITY		DODGE	FAFNIR	BROWNING		PTC	SEALMASTER		SKF	
	WSTU220 ^①	WSTU250 ^②	SC ^② SXR ^{①②} SXV ^{①②}	RTU ^①	VTWE ^①	MTWS ^② VTWS ^②	TH3-U ^②	ST ^②	RT ^②	TB ^②	TBX ^②
3/4	X 3/4	X 3/4	- 3/4	- 3/4	-212	-212	212N	—	-12	-12	-12
7/8	X 7/8	X 7/8	-7/8	-7/8	-214	-214	214N	—	-14	-14	-14
15/16	X 15/16	X 15/16	-15/16	-15/16	-215	-215	215N	-15	-15	-15	-15
1	X 1	X 1	-1	-1	-216	-216	216N	-16	-16	-100	-100
1-1/8	X 1-1/8	X 1-1/8	-1-1/8	-1-1/8	-218	-218	218N	—	-18	-102	-102
1-3/16	X 1-3/16	X 1-3/16	-1-3/16	-1-3/16	-219	-219	219N	-19	-19	-103	-103
1-1/4S	X 1-1/4S	X 1-1/4S	-1-1/4, 206	—	—	—	2E20N	-20R	-20R	—	—
1-1/4	X 1-1/4	X 1-1/4	-1-1/4, 207	-1-1/4	-220	-220	220N	-20	-20	-104	-104
1-5/16	X 1-5/16	X 1-5/16	-1-5/16	-1-5/16	—	—	221N	—	—	-105	-105
1-3/8	X 1-3/8	X 1-3/8	-1-3/8	-1-3/8	-222	-222	222N	—	-22	-106	-106
1-7/16	X 1-7/16	X 1-7/16	-1-7/16	-1-7/16	-223	-223	223N	-23	-23	-107	-107
1-1/2	X 1-1/2	X 1-1/2	-1-1/2	-1-1/2	-224	-224	224N	-24	-24	-108	-108
1-5/8	X 1-5/8	X 1-5/8	-1-5/8	-1-5/8	-226	-226	226N	—	-26	-110	-110
1-11/16	X 1-11/16	X 1-11/16	-1-11/16	-1-11/16	-227	-227	227N	-27	-27	-111	-111
1-3/4	X 1-3/4	X 1-3/4	-1-3/4	-13/4	-228	-228	228N	-28	-28	-112	-112
1-15/16	X 1-15/16	X 1-15/16	-1-15/16	-1-15/16	-231	-231	231N	-31	-31	-115	-115
2S	—	X 2S	-2, 210	—	—	—	2E32N	-32R	-32R	—	—
2	X 2	X 2	-2, 211	-2	-232	-232	232N	-32	-32	-200	-200
2-3/16	X 2-3/16	X 2-3/16	-2-3/16	-2-3/16	-235	-235	235N	-35	-35	-203	-203
2-1/4	X 2-1/4	X 2-1/4	-2-1/4, 212	-2-1/4	—	—	236N	-36	-36	-204	-204
2-7/16	X 2-7/16	X 2-7/16	-2-7/16	-2-7/16	-239	-239	239N	-39	-39	-207	-207

① Relube – Eccentric Lock ② Relube – Setscrew Lock

IndustrialLine™ Bearings



Series PB350 Cast Iron, PB350H HUB-ALLOY® Pillow Blocks

SHAFT SIZE	HUB CITY	BOSTON	DODGE	FAFNIR	BROWNING	SEALMASTER	SKF	MCGILL
	PB350 ^① PB350H ^①	MB ^①	SCM ^①	RAKH ^② LAKH ^{②③}	MPS ^① VPS ^①	MP ^① MRP ^{①③}	SYM-TM ^①	C-35 ^①
1	X 1	—	-1	±1	±316	±16	—	-1
1-3/16	X 1-3/16	—	-1-3/16	-1-3/16	-319	-19	—	-1-3/16
1-7/16	X 1-7/16	-1-7/16	-1-7/16	-1-7/16	-323	-23	-1-7/16	-1-7/16
1-1/2	X 1-1/2	-1-1/2	±-1-1/2	-1-1/2	-324	-24	-1-1/2	-1-1/2
1-11/16	X 1-11/16	-1-11/16	±-1-11/16	-1-11/16	-327	-27	-1-11/16	±-1-11/16
1-3/4	X 1-3/4	-1-3/4	±-1-3/4	-1-3/4	-328	-28	-1-3/4	-1-3/4
1-15/16	X 1-15/16	-1-15/16	-1-15/16	-1-15/16	-331	-31	-1-15/16	-1-15/16
2	X 2	-2	-2	±2	-332	-32	-2	-2
2-3/16	X 2-3/16	-2-3/16	-2-3/16	-2-3/16	-335	-35	-2-3/16	-2-3/16
2-1/4	X 2-1/4	-2-1/4	-2-1/4	±-2-1/4	-336	-36	-2-1/4	-2-1/4
2-7/16	X 2-7/16	-2-7/16	-2-7/16	-2-7/16	-339	-39	-2-7/16	-2-7/16
2-1/2	X 2-1/2	-2-1/2	-2-1/2	—	-340	-40	-2-1/2	-2-1/2
2-11/16	X 2-11/16	-2-11/16	-2-11/16	-2-11/16	-343	-43	-2-11/16	-2-11/16
2-15/16	X 2-15/16	-2-15/16	-2-15/16	-2-15/16	-347	-47	-2-15/16	-2-15/16
3	X 3	-3	-3	—	-348	-48	-3	-3
3-7/16	X 3-7/16	-3-7/16	-3-7/16	—	-355	-55	-3-7/16	-3-7/16
3-1/2	X 3-1/2	-3-1/2	-3-1/2	—	-356	-56	-3-1/2	-3-1/2

① Relube – Setscrew Lock ② Relube – Eccentric Lock ③ Not all sizes available

‡ Not dimensionally interchangeable

INTERCHANGES ARE FOR COMPARISON PURPOSES, DIMENSIONS AND RATINGS MAY VARY.

DOWNLOAD AVAILABLE CAD MODELS AT: WWW.HUBCITYINC.COM

Certified prints are available upon request

EMAIL: hubsales@regalbeloit.com • www.hubcityinc.com



Hub City IndustriaLine™ Bearing Units

Interchange Comparisons

Series FB350 Cast Iron; FB350H HUB-ALLOY® Four-Hole Flange Blocks

SHAFT SIZE	HUB CITY	BOSTON	DODGE	FAFNIR	BROWNING	SEALMASTER	SKF	MCGILL
	FB350 ① FB350H ①	MBF ①	SCM-4 ①	RCJO ②	MF4S ① VF4S ①	MSF ① MRF ①	FLY-TM ①	FC4-35 ①
1	X 1	—	-1	—	-316	-16	—	-1
1-3/16	X 1-3/16	—	-1-3/16	-1-3/16	-319	-19	—	-1-3/16
1-7/16	X 1-7/16	-1-7/16	-1-7/16	-1-7/16	-323	-23	-1-7/16	-1-7/16
1-1/2	X 1-1/2	-1-1/2	-1-1/2	-1-1/2	-324	-24	-1-1/2	-1-1/2
1-11/16	X 1-11/16	-1-11/16	-1-11/16	-1-11/16	-327	-27	-1-11/16	-1-11/16
1-3/4	X 1-3/4	-1-3/4	-1-3/4	—	-328	-28	-1-3/4	-1-3/4
1-15/16	X 1-15/16	-1-15/16	-1-15/16	-1-15/16	-331	-31	-1-15/16	-1-15/16
2	X 2	-2	-2	—	-332	-32	-2	-2
2-3/16	X 2-3/16	-2-3/16	-2-3/16	-2-3/16	-335	-35	-2-3/16	-2-3/16
2-1/4	X 2-1/4	-2-1/4	-2-1/4	—	-336	-36	-2-1/4	-2-1/4
2-7/16	X 2-7/16	-2-7/16	-2-7/16	-2-7/16	-339	-39	-2-7/16	-2-7/16
2-1/2	X 2-1/2	-2-1/2	-2-1/2	—	-340	-40	-2-1/2	-2-1/2
2-11/16	X 2-11/16	-2-11/16	-2-11/16	-2-11/16	-343	-43	-2-11/16	-2-11/16
2-15/16	X 2-15/16	-2-15/16	-2-15/16	-2-15/16	-347	-47	-2-15/16	-2-15/16
3	X 3	-3	-3	—	-348	-48	-3	-3
3-7/16	X 3-7/16	-3-7/16	-3-7/16	-3-7/16	-355	-55	-3-7/16	-3-7/16
3-1/2	X 3-1/2	-3-1/2	-3-1/2	—	-356	-56	-3-1/2	-3-1/2

① RELUBE – SETSCREW LOCK ② RELUBE – ECCENTRIC LOCK

Series FC350 Cast Iron Four-Hole Flange Cartridges

SHAFT SIZE	HUB CITY	BOSTON	DODGE	FAFNIR	BROWNING	SEALMASTER	MCGILL
	FC350 ①	MBP ①	SCM ①	RFC ②	MFCS ① VFCS ①	MFC ① MRFC ①	PFC4-35 ①
1-1/4	X 1-1/4	—	—	-1-1/4S	-320	-20	-1-1/4
1-7/16	X 1-7/16	-1-7/16	-1-7/16	-1-7/16	-323	-23	-1-7/16
1-1/2	X 1-1/2	-1-1/2	-1-1/2	-1-1/2	-234	-24	-1-1/2
1-11/16	X 1-11/16	-1-11/16	-1-11/16	-1-11/16	-327	-27	-1-11/16
1-3/4	X 1-3/4	-1-3/4	-1-3/4	-1-3/4	-328	-28	-1-3/4
1-15/16	X 15/16	-1-15/16	-1-15/16	-1-15/16	-331	-31	-1-15/16
2	X 2	-2	-2	-2	-332	-32	-2
2-3/16	X 2-3/16	-2-3/16	-2-3/16	-2-3/16	-335	-35	-2-3/16
2-1/4	X 2-1/4	-2-1/4	-2-1/4	—	-336	-36	-2-1/4
2-7/16	X 2-7/16	-2-7/16	-2-7/16	—	-339	-39	-2-7/16
2-1/2	X 2-1/2	-2-1/2	-2-1/2	—	-340	-40	-2-1/2
2-11/16	X 2-11/16	-2-11/16	—	—	-343	-43	-2-11/16
2-15/16	X 2-15/16	-2-15/16	-2-15/16	—	-347	-47	-2-15/16
3	X 3	-3	-3	—	-348	-48	-3
3-7/16	X 3-7/16	-3-7/16	-3-7/16	—	-355	-55	-3-7/16
3-1/2	X 3-1/2	-3-1/2	-3-1/2	—	-356	-56	-3-1/2

① RELUBE – SETSCREW LOCK ② RELUBE – ECCENTRIC LOCK

INTERCHANGES ARE FOR COMPARISON PURPOSES, DIMENSIONS AND RATINGS MAY VARY.

DOWNLOAD AVAILABLE CAD MODELS AT: WWW.HUBCITYINC.COM

Certified prints are available upon request