

SLIP RING



[We would like to respond to your particular requirement.](#)

Slipring for communication and control

SRP series

High voltage slipring

Slipring for power and control

SR series for indoor

SR series for outdoor

Main applications

Industrial machines • Machine tools • Wrapping machines

Food processing machines • Medical and healthcare products

Measurement instruments • Game machines • Communication machines

TV cameras and monitors • Printers • Turntables • Robotics

Audio instruments



- Brushenabletogivecommunicationwithoutinterruptionordelay.
- Relativelylightandcompactin design
- Easytoinstallandservice

Materials

- Brush:Goldalloy
- Ring:Copperalloy/thehardgilt
- Body:Aluminum
- Shaft :Aluminum

SRP-CN4-FforFlatcable



Specification

Compliance DeviceNet

Contactresistance 5HGDAQ%ODFNSROHV0.06ö:KLWHDQG%OXHSROHV0.10ö(LQLWLDYOYDOXH)

Transmissionspeed Max500Kbps(DeviceNet)

Electricconstruction Forsignal,2poles0.3A(WhiteandBluepoles)
Forpower,DC24V2poles5A(RedandBlackpoles)

Rotationaltorque Lessthan0.03N/m(Lessthan300gf•cm)

Allowableradialload 13N(1.3kgf)

Allowablethrustload 13N(1.3kgf)

Protective construction IP4X

Cable Flatcable1mfromshaftsidesideandbodyside

Mass 250g

SRP-CN4-Rforroundcable



Specification

Contactresistance 5HGDAQ%ODFNSROHV0.06ö:KLWHDQG%OXHSROHV0.10ö(LQLWLDYOYDOXH)

Electricconstruction Forsignal,2poles0.3A(WhiteandBluepoles)
Forpower,DC24V2poles5A(RedandBlackpoles)

Rotationaltorque Lessthan0.03N/m(Lessthan300gf•cm)

Allowableradialload 13N(1.3kgf)

Allowablethrustload 13N(1.3kgf)

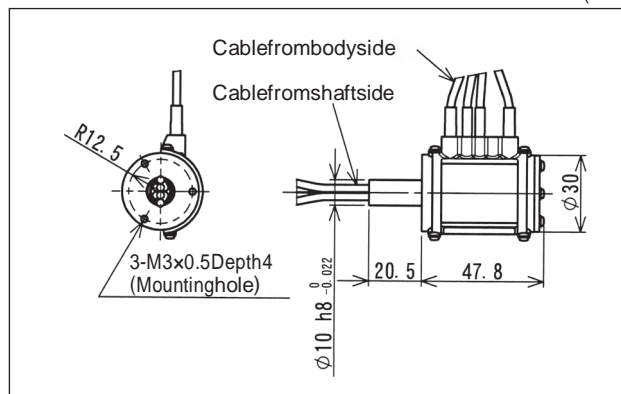
Protective construction IP4X

Cable VCTF0.75mm²×4c1mfromshaftsidesideandbodyside

Mass 250g

OutsidedimensionSRP-CN4-FSRP-CN4-R

(mm)



SRP-DN5



■ Specification

Compliance DeviceNet(thincable)

Contactresistance 5HG DQG%ODFNSROHV0.11δ:KLWHDQG%OXHSROHV0.21δ 6KLHOG
0.12δ (LQLWLDO YDOXH)

Transmissionspeed Max500Kbps(DeviceNet)

Electricconstruction Forsignal,2poles0.3A(WhiteandBluepoles)
Forpower,DC24V2poles3A(RedandBlackpoles) For
shield, 1 pole

Rotationaltorque Lessthan0.03N/m(Lessthan300gf•cm)

Allowableradialload 13N(1.3kgf)

Allowablethrustload 13N(1.3kgf)

Protective construction IP4X

Cable DeviceNetthincable1mfromshaftsidesideandbodyside

Mass 250g

SRP-CL4



■ Specification

ComplianceCC-Link

Contactresistance%OXH,:KLWHDQG<HOORZSROHV0.10δ6KLHOG0.05δ(LQLWLDOYDOXH)

TransmissionspeedMax10Mbps(CC-Link)

ElectricconstructionForsignal,3poles0.3A(Blue,WhiteandYellowpoles)
Forshield, 1 pole

RotationaltorqueLessthan0.03N/m(Lessthan300gf•cm)

Allowableradialload 13N(1.3kgf)

Allowablethrustload 13N(1.3kgf)

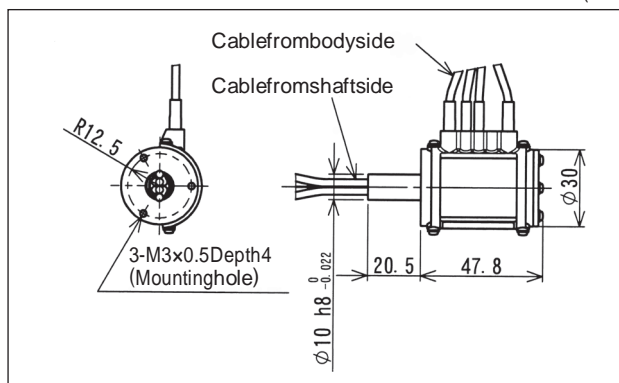
Protective constructionIP4X

CableCC-Linkcable1mfromshaftsidesideandbodyside

Mass250g

OutsidedimensionSRP-DN5SRP-CL4

(mm)



■ Commons specifications for SRP series

Rotational direction	CW-CCW endless
Rotational life	30 million maintenance free
Tensile strength	3N
Allowable rotation	0-400 min (rpm)
Vibration tolerance	Less than 5G
Environment	Nodew condensation/Less than elevation 1,000m
Mounting direction	Free
Timerate	Continuously

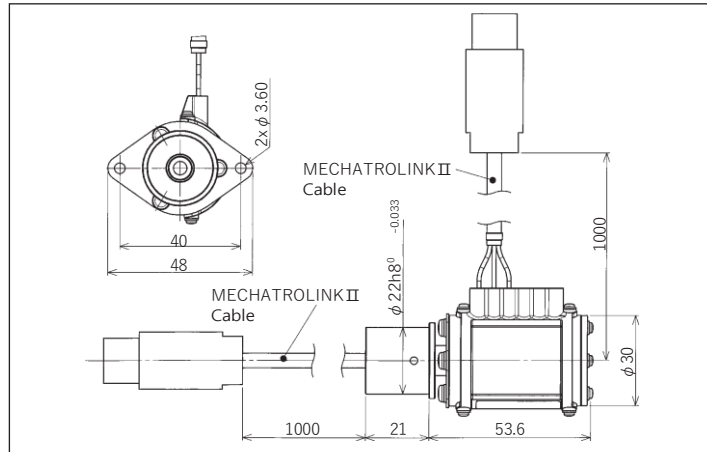
SRP-MLII-3

■ Specification



Compliance	MECHATROLINK-II
Transmission rate	7UDQVPLVLRQVSHHG100ESV7UDQVPLVLRQSHULRG250 ₃ MECHATROLINK-II
Electric construction	For signal, 2 pole 0.3A (Red and Black poles) For shield, 1 pole
Rotational torque	Less than 0.03N/m (Less than 300gf•cm)
Allowable radial load	13N (1.3kgf)
Allowable thrust load	13N (1.3kgf)
Protective construction	IP4X
Cable	MECHATROLINK-II cable 1 m from shaft side and body side
Mass	250g

Outsidedimension SRP-MLII-3 (mm)



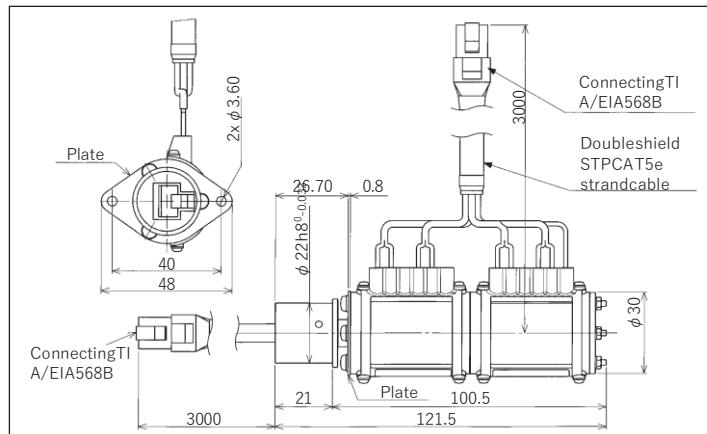
SRP-EN5e for EtherNET

■ Specification

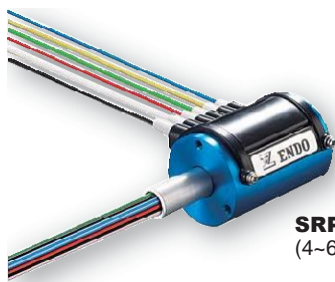


Compliance	CAT5e (TIA/EIA-568-B-2-2001)
Electric construction	For EtherNET, 8 poles For shield, 1 pole
Rotational torque	Less than 0.03N/m (Less than 300gf•cm)
Allowable radial load	13N (1.3kgf)
Allowable thrust load	13N (1.3kgf)
Protective construction	IP4X
Cable	Double shield STP CAT5e strand cable 1 m from shaft side and body side
Mass	260g

Outsidedimension SRP-EN5e (mm)



SRP-3003 SERIES



SRP-300306S
(4-6poles)



SRP-300312S
(8-12poles)



SRP-300318S
(14-18poles)

■ Specification

Compliance RS-422/485/232C

Contact resistance 0.16 Ω (QLWLDYOYDOXH)

Insulation resistance >5009, PRUHWKDQ500 Ω

Electric construction Forsignal, AC•DC250V4~18pole0.3A(Only even poles)

Rotational torque Less than 0.03N/m (Less than 300gf•cm)

Allowable radial load 13N (1.3kgf)

Allowable thrust load 13N (1.3kgf)

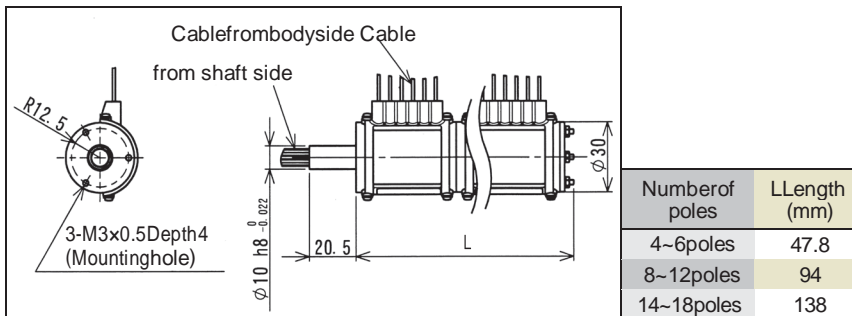
Protective construction IP4X

Cable 0.3mm ϕ 1m from shaft side and body side

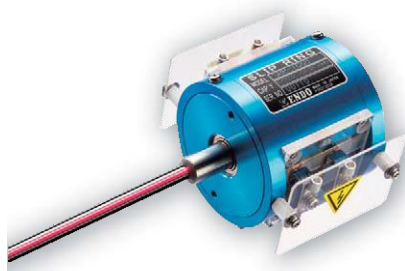
Mass 110 g (6poles), 260g(12poles) 350g(18poles)

Dimension for SRP-3003SERIES

(mm)



SRP-TC60 Thermocouple



■ Specification

Insulation resistance 0RUHWKDQ'&50091000 Ω

Thermocouple measurement Type-K Compensation leadwire 2poles

Dielectric strength AC1500V1minute

Electric construction AC250V15A2poles

Rotational torque Less than 0.03N/m (Less than 300gf•cm)

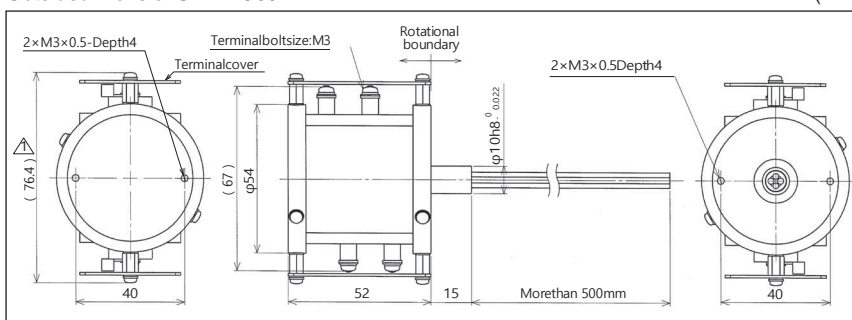
Protective construction IP4X

Cable 15AKIF1.25mm ϕ and Type-K Compensation leadwire VX-G-VVF1P \times 24/0.2
0.75mm ϕ more than 0.5m from shaft side only

Mass 240g

Outsidedimension SRP-TC60

(mm)



■ Commons specifications for SRP series

Rotational direction	CW-CCW endless
Rotational life	30million maintenance free
Tensile strength	3N
Allowable rotation	0-400min (rpm)
Vibration tolerance	Less than 5G
Environment	Nodew condensation/Less than elevation 1,000m
Mounting direction	Free
Timerate	Continuously

SRP-CL4H



CC-Link

■ Specification

Compliance CC-Link

Contactresistance%OXH,:KLWHDQG<HOORZSROHV0.2δ6KLHOG0.1δ,(QLWLDYOYDOXH)

TransmissionspeedMax10Mbps(CC-Link)

Electricconstruction Forsignal,3poles0.3A(Blue,WhiteandYellowpoles)
For shield, 1 pole

RotationaltorqueLessthan0.1N·m

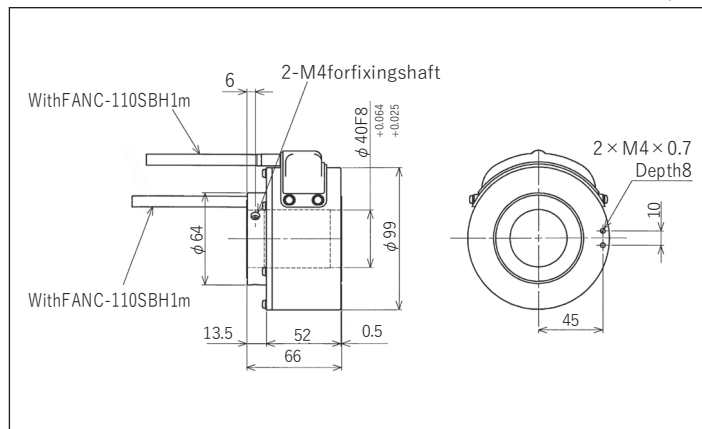
3URWHFWLYHFRQVWUXFWLRQ,34;

CableCC-Linkcable1mfromshaftsideandbody side

Mass1100g

OutsidedimensionSRP-CL4H

(mm)



SRP-CL4HP



CC-Link

■ Specification

Compliance CC-Link

Contactresistance%OXH,:KLWHDQG<HOORZSROHV0.2δ6KLHOG0.1δ,(QLWLDYOYDOXH)

TransmissionspeedMax10Mbps(CC-Link)

Electricconstruction Forsignal,3poles0.3A(Blue,WhiteandYellowpoles)
For power,AC250V5Aandgroundcable
For shield, 1 pole

RotationaltorqueLessthan0.1N·m

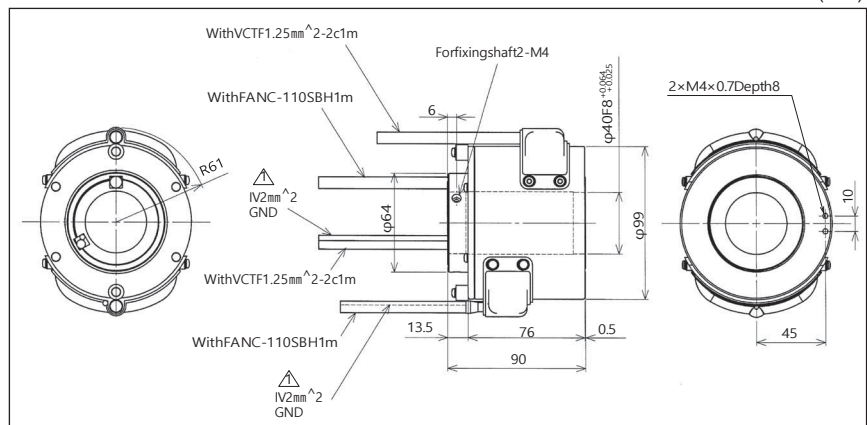
3URWHFWLYHFRQVWUXFWLRQ,34;

CableCC-Linkcable1mfromshaftsideandbody side

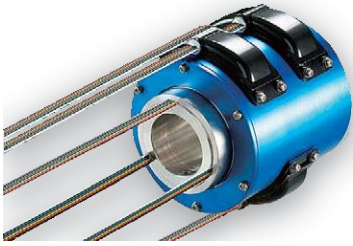
Mass1100g

OutsidedimensionSRP-CL4HP

(mm)



SRP-10003 SERIES



Number of poles	L Length (mm)
4 poles	66
6 poles	66
12 poles	90
18 poles	114

■ Specification

Compliance RS-422/485/232C

Contact resistance 0.2Ω (QLWLD OYDOXH)

Electric construction For signal, AC 250V 0.3A (2QO \HYHQSROHV)

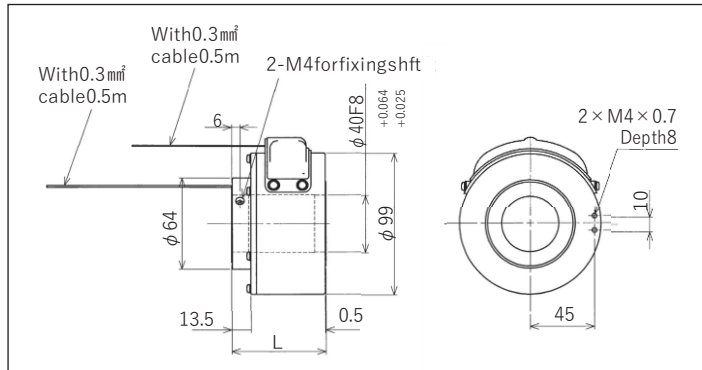
Rotational torque Less than 0.1N·m

3URWHFWLYHFRQVWUXFWLQRQ,34;

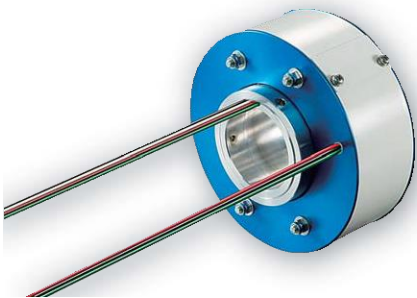
Cable 0.3mm² cable 0.5m from shaft side and body side

Mass 1100g (6 poles) 1400g (12 poles) 1800g (18 poles)

Outsidedimension 653-100036(5,6) (mm)



SRP-13575 SERIES



Number of poles	L Length (mm)
4 poles	64.5
6 poles	75.5
12 poles	108.5
24 poles	174.5
36 poles	240.5

■ Specification

Contact resistance 0.05Ω (QLWLD OYDOXH)

Electric construction For power, AC 250V 7.5A (4~12 poles) 5.0A (4~24 poles)

2.5A (4~36 poles)

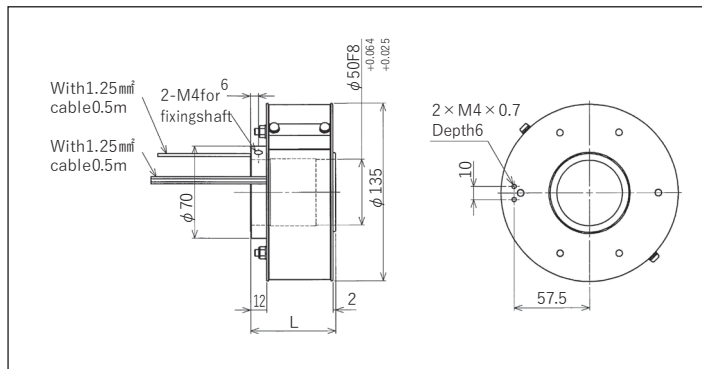
Rotational torque Less than 0.1~2.0N·m

3URWHFWLYHFRQVWUXFWLQRQ,34;

Cable 1.25mm² cable 0.5m from shaft side and body side

Mass 1500g (4 poles) ~5000g (36 poles)

Outsidedimension 653-135756(5,6) (mm)



■ Common specifications for SRP series

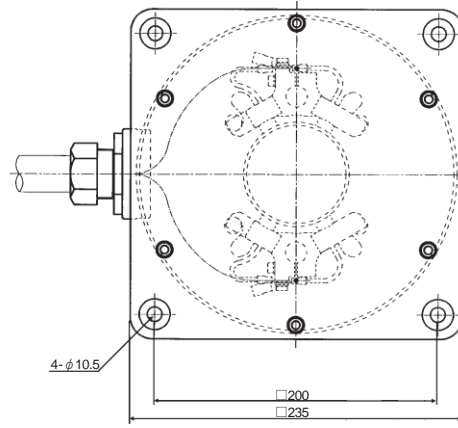
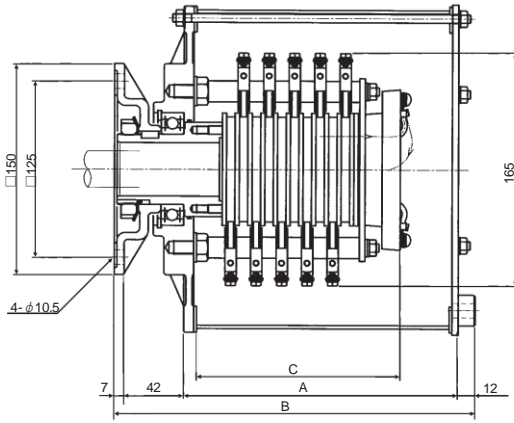
Rotational direction	CW-CCW endless
Rotational life	30 million maintenance free
Tensile strength	3N
Allowable rotation	0-400 min (rpm)
Vibration tolerance	Less than 5G
(QYLURQPHQW)	1RGHZFRQGHQVDWLRQ/HVVWVKDQHOHYDWLRQ1,000P
Mounting direction	Free
Timerate	Continuously

■ **Materials**

- Brushes: Copper
- Rings: Copper alloy
- Brush springs: Spring steel
- Brush holders: Aluminum die-casting
- Rotational direction: CW-CCW
- Temperature range: $-10^{\circ}\text{C} \sim +50^{\circ}\text{C}$



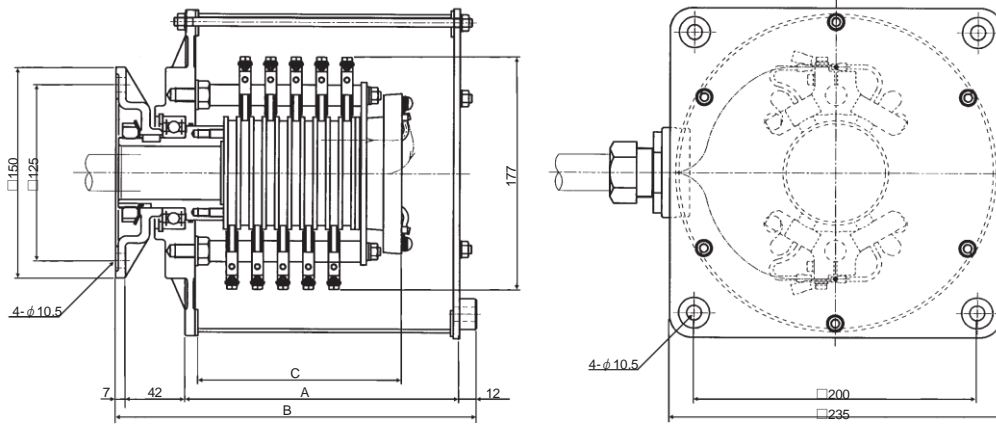
■ **Rated current: 20A (Rated voltage: AC 600V)**



Model	Number of poles	Insulation resistance	Allowable rotation	Outsidedimension(mm)			Mass kg
		Ođ(PLQ)	min ⁻¹ (rpm)	A	B	C	
SR-1303	3	50	60	142	203	83	8.0
SR-1304	4			8.0			
SR-1306	6			8.5			
SR-1308	8			9.0			
SR-1310	10			9.5			
SR-1312	12			10.0			
SR-1314	14			10.5			
SR-1316	16			11.0			
SR-1318	18			12.0			
SR-1320	20			12.0			
SR-1322	22			13.0			
SR-1324	24			13.0			
SR-1326	26			14.0			
SR-1328	28			14.0			
SR-1330	30			15.0			
SR-1332	32			15.0			

*,QVXODWLRQUHVLVWDQFH(06)VKDOOEHWKHUHVLVWDQFHPHDVXUHGDW' & 5009.

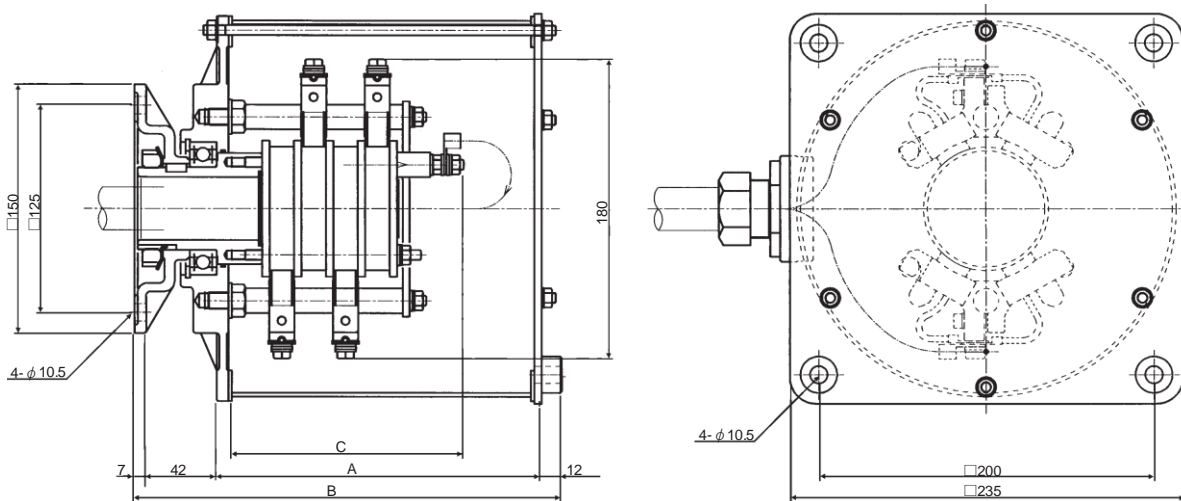
■ Rated current: 50A (Rated voltage: AC600V)



Model	Number of poles	Insulation resistance Oö(PLQ)	Allowable rotation min ⁻¹ (rpm)	Outsidedimension(mm)			Mass kg
				A	B	C	
SR-3303	3	50	60	142	203	93.5	8.0
SR-3304	4			159	220	106.5	8.5
SR-3306	6			195	256	132.5	9.5
SR-3308	8			212	273	162.5	10.0
SR-3310	10			232	293	188.5	10.5
SR-3312	12			257	318	214.5	11.0

*.QVXODWLRQUHVLVWDQFH(0δ)VKD00EHWKUHVVLVWDQFHDPDVXUHGWDW&5009.

■ Rated current: 100A (Rated voltage: AC600V)



Model	Number of poles	Insulation resistance Oö(PLQ)	Allowable rotation min ⁻¹ (rpm)	Outsidedimension(mm)			Mass kg
				A	B	C	
SR-4303	3	50	60	177	238	114.5	9.0
SR-4304	4			195	256	133.5	9.5

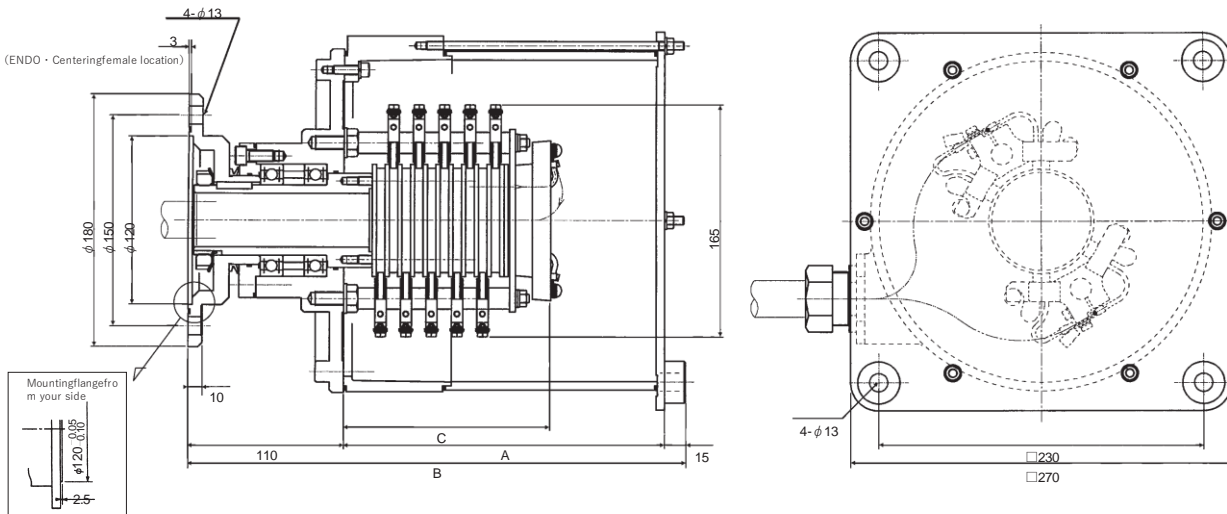
*.QVXODWLRQUHVLVWDQFH(0δ)VKD00EHWKUHVVLVWDQFHDPDVXUHGWDW&5009.

■ **Materials**

- %UXVKHV: Copper
- Rings: Copper alloy
- %UXVKVSULQJV: Spring steel
- %UXVKKROGHUV: Aluminum die-casting
- Rotational direction: CW-CCW
- Temperature range: $-10^{\circ}\text{C} \sim +50^{\circ}\text{C}$



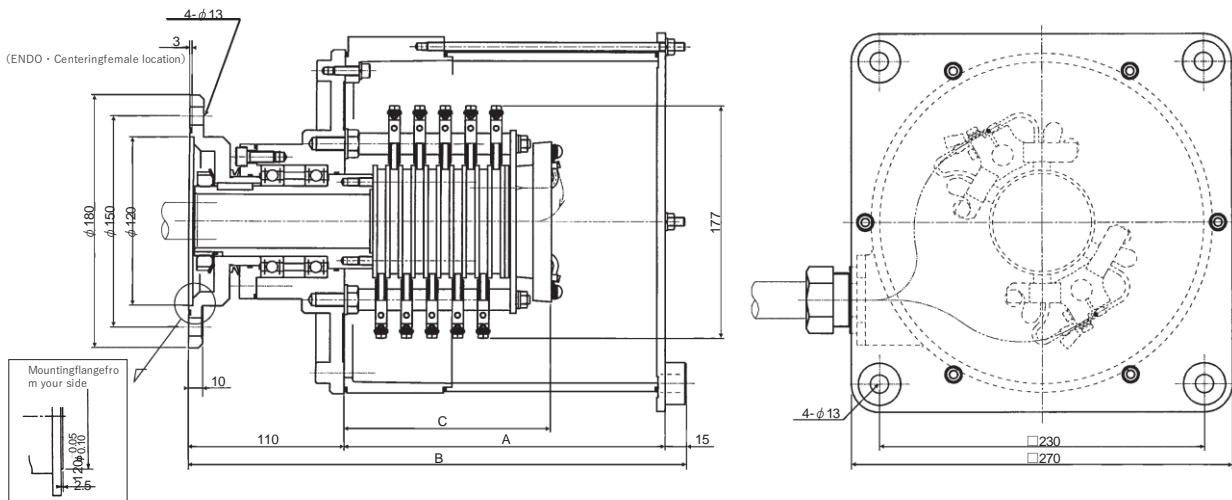
■ **Rated current: 20A (Rated voltage: AC600V)**



Model	Number of poles	Insulation resistance	Allowable rotation	Outsidedimension(mm)			Mass kg
		Ođ(PLQ)	min ⁻¹ (rpm)	A	B	C	
SR-1303-O	3	50	60	172	297	83	21.5
SR-1304-O	4			172	297	92	21.5
SR-1306-O	6			172	297	110	22.0
SR-1308-O	8			197	322	132	23.0
SR-1310-O	10			227	352	150	24.0
SR-1312-O	12			227	352	168	24.5
SR-1314-O	14			267	392	192	25.5
SR-1316-O	16			267	392	210	26.0
SR-1318-O	18			297	422	237	27.0
SR-1320-O	20			327	452	255	28.0
SR-1322-O	22			362	487	273	29.0
SR-1324-O	24			362	487	291	29.5
SR-1326-O	26			392	517	309	30.5
SR-1328-O	28			392	517	327	31.0
SR-1330-O	30			422	547	345	32.0
SR-1332-O	32			422	547	363	32.5

*QVXODWLRQUHVLVWDQFH(06)VKDOOEHWKHUHVLVWDQFHPHDVXUHG'DW'85009.

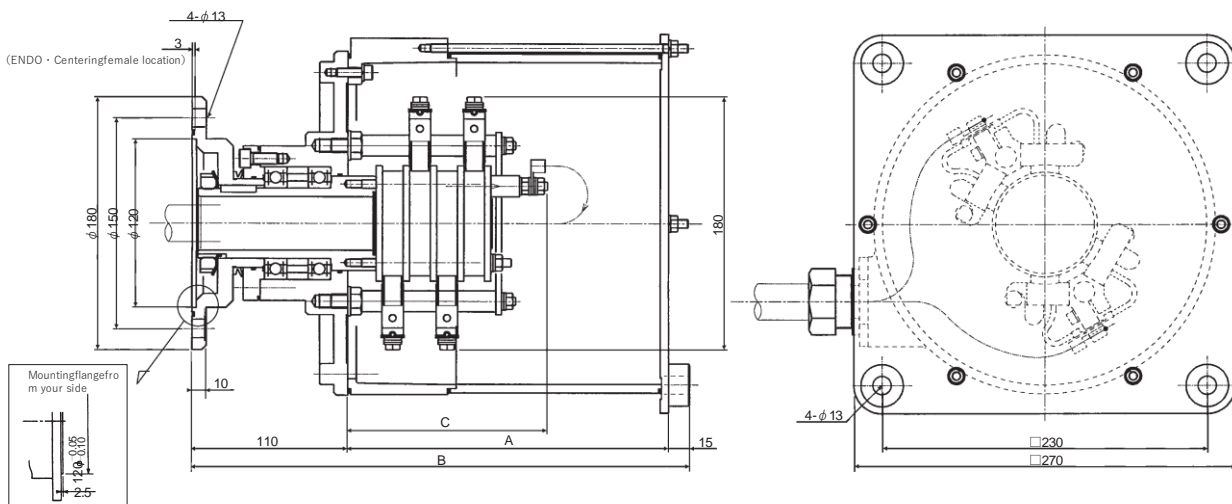
Rated current: 50A (Rated voltage: AC600V)



Model	Number of poles	Insulation resistance	Allowable rotation	Outsidedimension(mm)			Mass
		O \ddot{o} (PLQ)	min ⁻¹ (rpm)	A	B	C	kg
SR-3303-O	3	50	60	172	297	93.5	22.0
SR-3304-O	4			197	322	106.5	23.0
SR-3306-O	6			227	352	132.5	24.0
SR-3308-O	8			247	372	162.5	25.0
SR-3310-O	10			267	392	188.5	26.0
SR-3312-O	12			297	422	214.5	27.0

*_QVXODWLRQUHVLVWDQFH(0 δ)VKDOOEHWKHUHLVVDQFHPHDVXUHGWDW&5009.

Rated current: 100A (Rated voltage: AC600V)



Model	Number of poles	Insulation resistance	Allowable rotation	Outsidedimension(mm)			Mass
		O \ddot{o} (PLQ)	min ⁻¹ (rpm)	A	B	C	kg
SR-4303-O	3	50	60	267	392	114.5	26.0
SR-4304-O	4			267	392	133.5	26.5

*_QVXODWLRQUHVLVWDQFH(0 δ)VKDOOEHWKHUHLVVDQFHPHDVXUHGWDW&5009.

■ SlipringforCommunication,Control(SRPseries)

No.	Item	Exampleofdescription	Requirements
1	Voltage	DC12V	
2	Current	0.1A	
3	No.ofpoles	4	
4	Rotationalfrequency	10min ⁻¹	
5	Standard	RS-422	
6	Application	Sensor	
7	Surroundings, Temperature	Indoor, +40°C	
8	Otherrequirements		
9	Quantity		
10	Delivery		

■ SlipringforPower,Control(SRseries)

No.	Item	Exampleofdescription	Requirements
1	Cabletype	2PNCT	
2	Cablecrosssection	2mm ²	
3	Number of conductor	10	
4	Voltage	AC200V, 50Hz	
5	Current	10A	
6	No.ofpoles	10	
7	Rotationalfrequency	1min ⁻¹	
8	Application	Jib crane	
9	Surroundings, Temperature	Indoor, +40°C	
10	Otherrequirements		
11	Quantity		
12	Delivery		

■ Installation

 <p>A B C</p>		
--	--	--

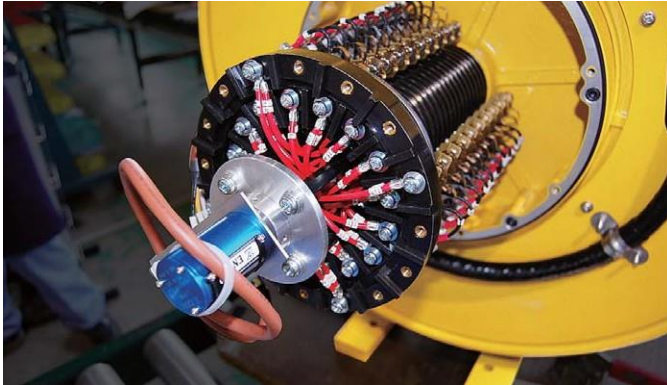
We offer a wide range of slip ring in accordance with various standards.

Nowadays the potential areas of slip ring applications are very huge.

We can also offer multiplex slip ring with power supplying and communication control for machines with rotational movement.

We would also be happy to design and build special units depending on your particular requirements.

■ Example of Multiplex slip ring

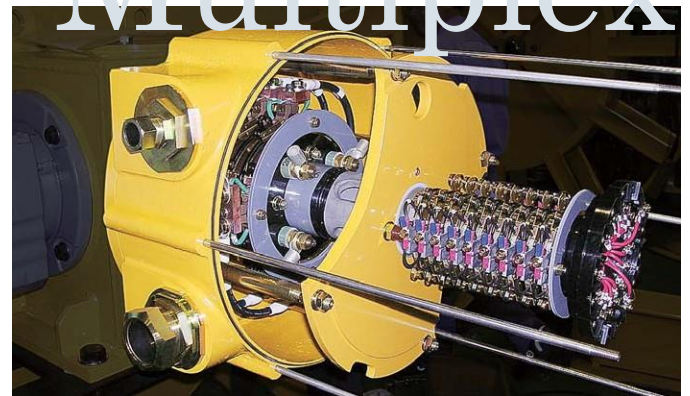


AC600V-20A-30P+SRP-CL4

AC600V-30A-8P+10A-20P+SRP-300312S

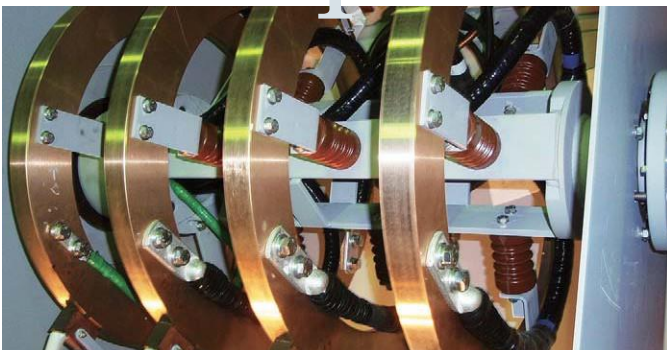


AC600V-200A-4P+20A-18P



AC600V-20A-8P+SPM-50-16P-02

■ Special slip ring



AC600V-670A-3P+E



300A-8P30A-51P20A-36P

Multiplex

Special



İMAJ TEKNİK ELEKTRİK SAN. TİC. A.Ş.

Oruç Reis Mah. Tekstilkent Ticaret
Merkezi
10-AD Blok No:Z-77(G2-
101)Esenler/İstyanbul 34235
www.imajteknik.com.tr