

RELAIS INSTANTANÉS ET DE FONCTION

1 contact

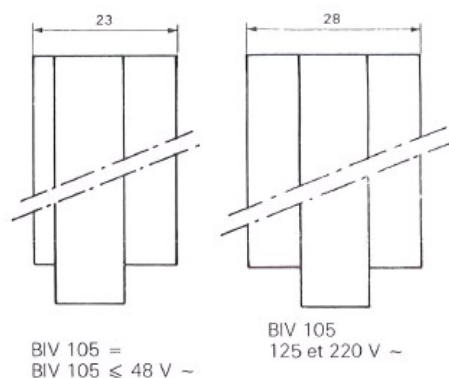
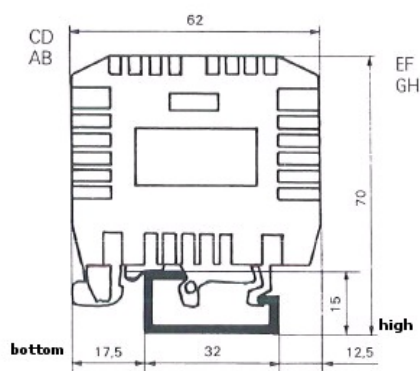


BIV-105

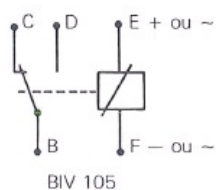
Description

Monostable instantaneous relay, 1 RT - 10 A
BIV-105 are terminals for mounting onto rails of 35 mm or G.
They are characterized by a compact conception incorporating an instantaneous relay 1 RT - 10 A.
Its special character makes it a basic element for system interfaces realization.

Dimensions



Connection



Technical features

Function	Instantaneous
Presentation	Under case
Connection	onto rails C or G
Number of mechanical operations	5.000.000

Operating temperature	-30° C +40° C
Climatic protection	Reinforced climatic protection
Shock voltage	3 000 V crête
Dielectric strength	between coil and contacts - 2 000 V eff
Insulation resistance	> 1000 MOhms
Operate time	DC: 10 ms AC: 12 ms
Release time	DC, AC: 5 ms

► Coil data

	Direct current	Alternative current	
Min. nominal voltage DC	6 - 12 -24 - 48 - 125 V	12 - 24 - 48 - 120 - 230 V	
Power requirement	0,6 W to 1,2 W	0,6 VA to 2,6 VA	

► Contacts

Number of contacts	1
Max. load current	10 A

Non-contractual document - characteristics to be confirmed before order
TEC AUTOMATISMES reserves the right to modify description and specifications without notice