

# PUSHBUTTON SWITCHES

## Series - J100 Alternate Action

## High Current Pushbutton Switches

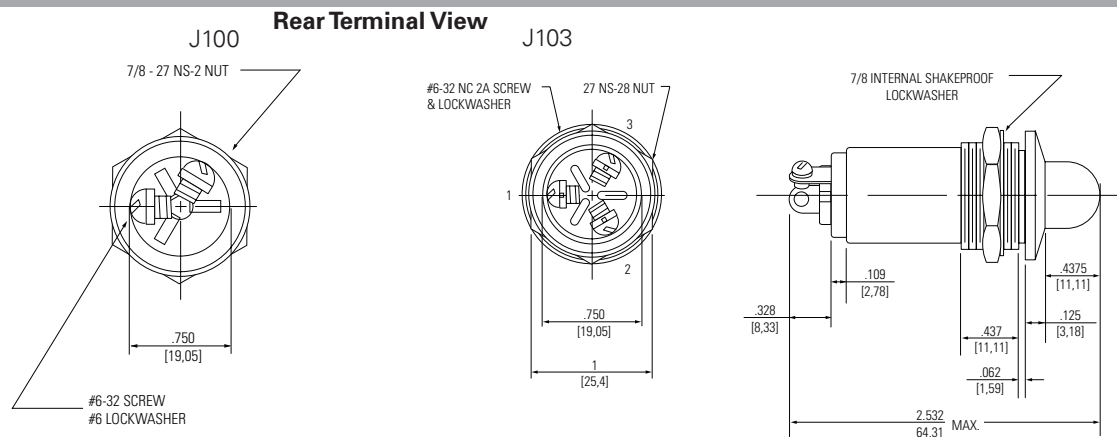
FEATURES			SPECIFICATIONS			CURRENT RATINGS							
						28VDC				115VAC			
Part Number	Number of Poles	Type of Operation	Continuous	Resistive	Inductive	Lamp	Continuous	Resistive	Inductive	Lamp			
J100	1	Alternate	40	20	15	5	40	10	10	3			
J103	1	Alternate	40	20	15	5	40	10	10	3			

### SELECTION TABLE



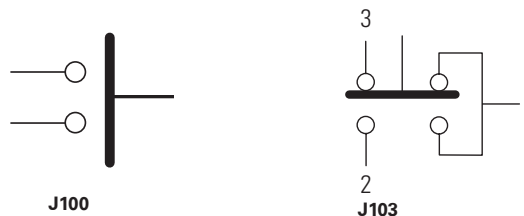
Series and Type	Circuit	Catalog Number
J100	1 P.S.T.-NO.	J100
J103	1 P.D.T.-ON-ON	J103

### APPROXIMATE DIMENSIONS - J100 AND



- J103 has three terminals

### SCHEMATIC DIAGRAMS



**STANDARD**  
0.00 = inches  
[0,0] = mm

Dimensions for reference only.

Mounting and terminal hardware supplied unassembled.