

VSD Series Variable Speed Enclosed Drives

Product Bulletin

Code No. LIT-12011037

Issued August 6, 2012

Supersedes March 1, 2006

Refer to the [QuickLIT Web site](#) for the most up-to-date version of this document.

The Johnson Controls® VSD Series Variable Speed Enclosed Drives are powered by Cutler-Hammer® enclosed control and circuit breaker technology from Eaton's electrical business.

The IntelliPass bypass is a two- or three-contactor design. The features, function, and form allow the drive and bypass to become an integrated design — the world's smallest drive and bypass package. The IntelliPass bypass comes standard with a Cutler-Hammer circuit breaker integrated into the drive and bypass design.



Figure 1: VSD Series TYPE 12 Enclosed Drives

Table 1: VSD Series Open Drive Features and Benefits

Features	Benefits
True Full Network Connectivity for Both Drive and Bypass N2, XT, SA Bus, LON, and BACnet® Protocol	Provides for compatibility with current and future Johnson Controls® network architecture.
Software Parameters That Utilize Engineering Units Common to the HVAC Industry	Allow for quick and easy startup using the onboard startup wizard with engineering units transmitted over a communications bus.
Johnson Controls Support That Includes Ordering, Estimating, and Project Management Tools: Advanced Order Management System (AOMS), Advanced Installation Management (AIM) Tools — QuickLIT, Catalog, PRESTO, and STORE	Provides for easy product identification and ordering.
Closed-Loop Control Programmed with Engineering Units for Specific HVAC Applications: Duct Static, Building Static, Pressure Control, and Temperature Control	Enables software parameters to use engineering units common to the HVAC industry.
Drive Programming Capability Using Auxiliary 24 V Power Supply (VS-AUX24V)	Allows variable speed drive programming (including network communication validation) prior to wiring 3-phase power to the drive.

Additional VSD Series Enclosed Drive Features

- Ability to run permissive damper control in drive mode
- Up to six user-defined skip frequencies
- Selectable Analog Input (AI) Min/Max/Averaging feature
- Standard TYPE 12 and TYPE 3R enclosure and drive integration that reduces product and installation costs
- Automatic fault display that captures 16 drive operating parameters at time of fault
- HAND/OFF/AUTO and DRIVE/BYPASS selector on keypad that simplifies control
- Plenum rated
- Standard 3% line reactors for enhanced transient and harmonic distortion protection
- EMI/RFI Filters standard on all drives
- User-selectable S-shaped acceleration and deceleration curve
- I/O and communication cards provide plug-and-play functionality
- Non-HVAC specific, standard application to get the drive up and running
- Digital inputs that can be defined for normally open (N.O.) or normally closed (N.C.) operation
- Solid-state motor overload relay that provides motor protection while in bypass
- Two power sources for control ensures redundancy and provides additional ride-through capability
- Serial communication interface that can control both the drive and all bypass features so that the remote operator can fully control the motor whether the motor is operated by the drive or the bypass
- Top and bottom conduit entry for ease of installation
- Lockable disconnect in OFF position
- Third Contactor drive isolation option
- Copy and paste keypad function that allows you to transfer parameter settings from one drive to another
- Keypad that displays up to three monitored parameters simultaneously
- Standard TYPE12 keypad on all drives
- Drive programming capability using auxiliary 24 V power supply
- Programmable Automatic Restart Options — choose from disable; automatically transfer to Bypass; reset drive only; or reset drive and, if fails, then transfer to Bypass (IntelliPass only)



Figure 2: VSD Series TYPE 3R Enclosed Drive

Product Selection

Table 4: VSD Series 208 V Enclosed IntelliPass Drives - Frame 4 (Part 1 of 4)

Code Number	Description ¹	Current (A) ¹
VS001122A-00000	VSD ByPass 1 hp 208 V TYPE 12	4.6
VS001122A-0P300	VSD ByPass 1 hp 208 V TYPE 12, Fuse	4.6
VS001122A-0P600	VSD ByPass 1 hp 208 V TYPE 12, 3rd Contactor	4.6
VS001122A-0P900	VSD ByPass 1 hp 208 V TYPE 12, Fuse, 3rd Contactor	4.6
VS001122A-L0000	VSD ByPass 1 hp 208 V TYPE 12, LON	4.6
VS001122A-LP300	VSD ByPass 1 hp 208 V TYPE 12, LON, Fuse	4.6
VS001122A-LP600	VSD ByPass 1 hp 208 V TYPE 12, LON, 3rd Contactor	4.6
VS001122A-LP900	VSD ByPass 1 hp 208 V TYPE 12, LON, Fuse, 3rd Contactor	4.6
VS001122A-N0000	VSD ByPass 1 hp 208 V TYPE 12, N2/XT/SA Bus	4.6
VS001122A-NP300	VSD ByPass 1 hp 208 V, TYPE 12, N2/XT/SA Bus, Fuse	4.6
VS001122A-NP600	VSD ByPass 1 hp 208 V, TYPE 12, N2/XT/SA Bus, 3rd Contactor	4.6
VS001122A-NP900	VSD ByPass 1 hp 208 V, TYPE 12, N2/XT/SA Bus, Fuse, 3rd Contactor	4.6
VS001122A-B0000	VSD ByPass 1 hp 208 V, TYPE 12, MS/TP BACnet	4.6
VS001122A-BP300	VSD ByPass 1 hp 208 V, TYPE 12, MS/TP BACnet, Fuse	4.6
VS001122A-BP600	VSD ByPass 1 hp 208 V, TYPE 12, MS/TP BACnet, 3rd Contactor	4.6
VS001122A-BP900	VSD ByPass 1 hp 208 V, TYPE 12, MS/TP BACnet, Fuse, 3rd Contactor	4.6
VS001132A-00000	VSD ByPass 1 hp 208 V, TYPE 3R	4.6
VS001132A-0P300	VSD ByPass 1 hp 208 V, TYPE 3R, Fuse	4.6
VS001132A-0P3SA	VSD ByPass 1 hp 208 V, TYPE 3R, Fuse, Space Heater	4.6
VS001132A-0P600	VSD ByPass 1 hp 208 V, TYPE 3R, Fuse, Contactor	4.6
VS001132A-0P6SA	VSD ByPass 1 hp 208 V, TYPE 3R, Fuse, Contactor, Space Heater	4.6
VS001132A-0P900	VSD ByPass 1 hp 208 V, TYPE 3R, Fuse, 3rd Contactor	4.6
VS001132A-0P9SA	VSD ByPass 1 hp 208 V, TYPE 3R, Fuse, 3rd Contactor, Space Heater	4.6
VS001132A-L0000	VSD ByPass 1 hp 208 V, TYPE 3R, LON	4.6
VS001132A-LP300	VSD ByPass 1 hp 208 V, TYPE 3R, LON, Fuse	4.6
VS001132A-LP3SA	VSD ByPass 1 hp 208 V, TYPE 3R, LON, Fuse, Space Heater	4.6
VS001132A-LP600	VSD ByPass 1 hp 208 V, TYPE 3R, LON, 3rd Contactor	4.6
VS001132A-LP6SA	VSD ByPass 1 hp 208 V, TYPE 3R, LON, 3rd Contactor, Space Heater	4.6
VS001132A-LP900	VSD ByPass 1 hp 208 V, TYPE 3R, LON, Fuse, 3rd Contactor	4.6
VS001132A-LP9SA	VSD ByPass 1 hp 208 V, TYPE 3R, LON, Fuse, 3rd Contactor, Space Heater	4.6
VS001132A-N0000	VSD ByPass 1 hp 208 V, TYPE 3R, N2/XT/SA Bus	4.6
VS001132A-NP300	VSD ByPass 1 hp 208 V, TYPE 3R, N2/XT/SA Bus, Fuse	4.6
VS001132A-NP3SA	VSD ByPass 1 hp 208 V, TYPE 3R, N2/XT/SA Bus, Fuse, Space Heater	4.6
VS001132A-NP600	VSD ByPass 1 hp 208 V, TYPE 3R, N2/XT/SA Bus, 3rd Contactor	4.6
VS001132A-NP6SA	VSD ByPass 1 hp 208 V, TYPE 3R, N2/XT/SA Bus, 3rd Contactor, Space Heater	4.6
VS001132A-NP900	VSD ByPass 1 hp 208 V, TYPE 3R, N2/XT/SA Bus, Fuse, 3rd Contactor	4.6

Table 4: VSD Series 208 V Enclosed IntelliPass Drives - Frame 4 (Part 2 of 4)

Code Number	Description¹	Current (A)¹
VS001132A-NP9SA	VSD ByPass 1 hp 208 V, TYPE 3R, N2/XT/SA Bus, Fuse, 3rd Contactor, Space Heater	4.6
VS001132A-B0000	VSD ByPass 1 hp 208 V, TYPE 3R, MS/TP BACnet	4.6
VS001132A-BP300	VSD ByPass 1 hp 208 V, TYPE 3R, MS/TP BACnet, Fuse	4.6
VS001132A-BP3SA	VSD ByPass 1 hp 208 V, TYPE 3R, MS/TP BACnet, Fuse, Space Heater	4.6
VS001132A-BP600	VSD ByPass 1 hp 208 V, TYPE 3R, MS/TP BACnet, 3rd Contactor	4.6
VS001132A-BP6SA	VSD ByPass 1 hp 208 V, TYPE 3R, MS/TP BACnet, 3rd Contactor, Space Heater	4.6
VS001132A-BP900	VSD ByPass 1 hp 208 V, TYPE 3R, MS/TP BACnet, Fuse, 3rd Contactor	4.6
VS001132A-BP9SA	VSD ByPass 1 hp 208 V, TYPE 3R, MS/TP BACnet, Fuse, 3rd Contactor, Space Heater	4.6
VS002122A-00000	VSD ByPass 2 hp 208 V, TYPE 12	7.5
VS002122A-0P300	VSD ByPass 2 hp 208 V, TYPE 12, Fuse	7.5
VS002122A-0P600	VSD ByPass 2 hp 208 V, TYPE 12, 3rd Contactor	7.5
VS002122A-0P900	VSD ByPass 2 hp 208 V, TYPE 12, Fuse, 3rd Contactor	7.5
VS002122A-L0000	VSD ByPass 2 hp 208 V, TYPE 12, LON	7.5
VS002122A-LP300	VSD ByPass 2 hp 208 V, TYPE 12, LON, Fuse	7.5
VS002122A-LP600	VSD ByPass 2 hp 208 V, TYPE 12, LON, 3rd Contactor	7.5
VS002122A-LP900	VSD ByPass 2 hp 208 V, TYPE 12, LON, Fuse, 3rd Contactor	7.5
VS002122A-N0000	VSD ByPass 2 hp 208 V, TYPE 12, N2/XT/SA Bus	7.5
VS002122A-NP300	VSD ByPass 2 hp 208 V, TYPE 12, N2/XT/SA Bus, Fuse	7.5
VS002122A-NP600	VSD ByPass 2 hp 208 V, TYPE 12, N2/XT/SA Bus, 3rd Contactor	7.5
VS002122A-NP900	VSD ByPass 2 hp 208 V, TYPE 12, N2/XT/SA Bus, Fuse, 3rd Contactor	7.5
VS002122A-B0000	VSD ByPass 2 hp 208 V, TYPE 12, MS/TP BACnet	7.5
VS002122A-BP300	VSD ByPass 2 hp 208 V, TYPE 12, MS/TP BACnet, Fuse	7.5
VS002122A-BP600	VSD ByPass 2 hp 208 V, TYPE 12, MS/TP BACnet, 3rd Contactor	7.5
VS002122A-BP900	VSD ByPass 2 hp 208 V, TYPE 12, MS/TP BACnet, Fuse, 3rd Contactor	7.5
VS002132A-00000	VSD ByPass 2 hp 208 V TYPE 3R	7.5
VS002132A-0P300	VSD ByPass 2 hp 208 V, TYPE 3R, Fuse	7.5
VS002132A-0P3SA	VSD ByPass 2 hp 208 V, TYPE 3R, Fuse, Space Heater	7.5
VS002132A-0P600	VSD ByPass 2 hp 208 V, TYPE 3R, Fuse, 3rd Contactor	7.5
VS002132A-0P6SA	VSD ByPass 2 hp 208 V, TYPE 3R, Fuse, 3rd Contactor, Space Heater	7.5
VS002132A-0P900	VSD ByPass 2 hp 208 V, TYPE 3R, Fuse, 3rd Contactor	7.5
VS002132A-0P9SA	VSD ByPass 2 hp 208 V, TYPE 3R, Fuse, 3rd Contactor, Space Heater	7.5
VS002132A-L0000	VSD ByPass 2 hp 208 V, TYPE 3R, LON	7.5
VS002132A-LP300	VSD ByPass 2 hp 208 V, TYPE 3R, LON, Fuse	7.5
VS002132A-LP3SA	VSD ByPass 2 hp 208 V, TYPE 3R, LON, Fuse, Space Heater	7.5
VS002132A-LP600	VSD ByPass 2 hp 208 V, TYPE 3R, LON, 3rd Contactor	7.5
VS002132A-LP6SA	VSD ByPass 2 hp 208 V, TYPE 3R, LON, 3rd Contactor, Space Heater	7.5

Table 4: VSD Series 208 V Enclosed IntelliPass Drives - Frame 4 (Part 3 of 4)

Code Number	Description¹	Current (A)¹
VS002132A-LP900	VSD ByPass 2 hp 208 V, TYPE 3R, LON, Fuse, 3rd Contactor	7.5
VS002132A-LP9SA	VSD ByPass 2 hp 208 V, TYPE 3R, LON, Fuse, 3rd Contactor, Space Heater	7.5
VS002132A-N0000	VSD ByPass 2 hp 208 V, TYPE 3R, N2/XT/SA Bus	7.5
VS002132A-NP300	VSD ByPass 2 hp 208 V, TYPE 3R, N2/XT/SA Bus, Fuse	7.5
VS002132A-NP3SA	VSD ByPass 2 hp 208 V, TYPE 3R, N2/XT/SA Bus, Fuse, Space Heater	7.5
VS002132A-NP600	VSD ByPass 2 hp 208 V, TYPE 3R, N2/XT/SA Bus, 3rd Contactor	7.5
VS002132A-NP6SA	VSD ByPass 2 hp 208 V, TYPE 3R, N2/XT/SA Bus, 3rd Contactor, Space Heater	7.5
VS002132A-NP900	VSD ByPass 2 hp 208 V, TYPE 3R, N2/XT/SA Bus, Fuse, 3rd Contactor	7.5
VS002132A-NP9SA	VSD ByPass 2 hp 208 V, TYPE 3R, N2/XT/SA Bus, Fuse, 3rd Contactor, Space Heater	7.5
VS002132A-B0000	VSD ByPass 2 hp 208 V, TYPE 3R, MS/TP BACnet	7.5
VS002132A-BP300	VSD ByPass 2 hp 208 V, TYPE 3R, MS/TP BACnet, Fuse	7.5
VS002132A-BP3SA	VSD ByPass 2 hp 208 V, TYPE 3R, MS/TP BACnet, Fuse, Space Heater	7.5
VS002132A-BP600	VSD ByPass 2 hp 208 V, TYPE 3R, MS/TP BACnet, 3rd Contactor	7.5
VS002132A-BP6SA	VSD ByPass 2 hp 208 V, TYPE 3R, MS/TP BACnet, 3rd Contactor, Space Heater	7.5
VS002132A-BP900	VSD ByPass 2 hp 208 V, TYPE 3R, MS/TP BACnet, Fuse, 3rd Contactor	7.5
VS002132A-BP9SA	VSD ByPass 2 hp 208 V, TYPE 3R, MS/TP BACnet, Fuse, 3rd Contactor, Space Heater	7.5
VS003122A-00000	VSD ByPass 3 hp 208 V, TYPE 12	10.6
VS003122A-0P300	VSD ByPass 3 hp 208 V, TYPE 12, Fuse	10.6
VS003122A-0P600	VSD ByPass 3 hp 208 V, TYPE 12, 3rd Contactor	10.6
VS003122A-0P900	VSD ByPass 3 hp 208 V, TYPE 12, Fuse, 3rd Contactor	10.6
VS003122A-L0000	VSD ByPass 3 hp 208 V, TYPE 12, LON	10.6
VS003122A-LP300	VSD ByPass 3 hp 208 V, TYPE 12, LON, Fuse	10.6
VS003122A-LP600	VSD ByPass 3 hp 208 V, TYPE 12, LON, 3rd Contactor	10.6
VS003122A-LP900	VSD ByPass 3 hp 208 V, TYPE 12, LON, Fuse, 3rd Contactor	10.6
VS003122A-N0000	VSD ByPass 3 hp 208 V, TYPE 12, N2/XT/SA Bus	10.6
VS003122A-NP300	VSD ByPass 3 hp 208 V, TYPE 12, N2/XT/SA Bus, Fuse	10.6
VS003122A-NP600	VSD ByPass 3 hp 208 V, TYPE 12, N2/XT/SA Bus, 3rd Contactor	10.6
VS003122A-NP900	VSD ByPass 3 hp 208 V, TYPE 12, N2/XT/SA Bus, Fuse, 3rd Contactor	10.6
VS003122A-B0000	VSD ByPass 3 hp 208 V, TYPE 12, MS/TP BACnet	10.6
VS003122A-BP300	VSD ByPass 3 hp 208 V, TYPE 12, MS/TP BACnet, Fuse	10.6
VS003122A-BP600	VSD ByPass 3 hp 208 V, TYPE 12, MS/TP BACnet, 3rd Contactor	10.6
VS003122A-BP900	VSD ByPass 3 hp 208 V, TYPE 12, MS/TP BACnet, Fuse, 3rd Contactor	10.6
VS003132A-00000	VSD ByPass 3 hp 208 V, TYPE 3R	10.6
VS003132A-0P300	VSD ByPass 3 hp 208 V, TYPE 3R, Fuse	10.6

Table 4: VSD Series 208 V Enclosed IntelliPass Drives - Frame 4 (Part 4 of 4)

Code Number	Description ¹	Current (A) ¹
VS003132A-0P3SA	VSD ByPass 3 hp 208 V, TYPE 3R, Fuse, Space Heater	10.6
VS003132A-0P600	VSD ByPass 3 hp 208 V, TYPE 3R, Fuse, 3rd Contactor	10.6
VS003132A-0P6SA	VSD ByPass 3 hp 208 V, TYPE 3R, Fuse, 3rd Contactor, Space Heater	10.6
VS003132A-0P900	VSD ByPass 3 hp 208 V, TYPE 3R, Fuse, 3rd Contactor	10.6
VS003132A-0P9SA	VSD ByPass 3 hp 208 V, TYPE 3R, Fuse, 3rd Contactor, Space Heater	10.6
VS003132A-L0000	VSD ByPass 3 hp 208 V, TYPE 3R, LON	10.6
VS003132A-LP300	VSD ByPass 3 hp 208 V, TYPE 3R, LON, Fuse	10.6
VS003132A-LP3SA	VSD ByPass 3 hp 208 V, TYPE 3R, LON, Fuse, Space Heater	10.6
VS003132A-LP600	VSD ByPass 3 hp 208 V, TYPE 3R, LON, 3rd Contactor	10.6
VS003132A-LP6SA	VSD ByPass 3 hp 208 V, TYPE 3R, LON, 3rd Contactor, Space Heater	10.6
VS003132A-LP900	VSD ByPass 3 hp 208 V, TYPE 3R, LON, Fuse, 3rd Contactor	10.6
VS003132A-LP9SA	VSD ByPass 3 hp 208 V, TYPE 3R, LON, Fuse, 3rd Contactor, Space Heater	10.6
VS003132A-N0000	VSD ByPass 3 hp 208 V, TYPE 3R, N2/XT/SA Bus	10.6
VS003132A-NP300	VSD ByPass 3 hp 208 V, TYPE 3R, N2/XT/SA Bus, Fuse	10.6
VS003132A-NP3SA	VSD ByPass 3 hp 208 V, TYPE 3R, N2/XT/SA Bus, Fuse, Space Heater	10.6
VS003132A-NP600	VSD ByPass 3 hp 208 V, TYPE 3R, N2/XT/SA Bus, 3rd Contactor	10.6
VS003132A-NP6SA	VSD ByPass 3 hp 208 V, TYPE 3R, N2/XT/SA Bus, 3rd Contactor, Space Heater	10.6
VS003132A-NP900	VSD ByPass 3 hp 208 V, TYPE 3R, N2/XT/SA Bus, Fuse, 3rd Contactor	10.6
VS003132A-NP9SA	VSD ByPass 3 hp 208 V, TYPE 3R, N2/XT/SA Bus, Fuse, 3rd Contactor, Space Heater	10.6
VS003132A-B0000	VSD ByPass 3 hp 208 V, TYPE 3R, MS/TP BACnet	10.6
VS003132A-BP300	VSD ByPass 3 hp 208 V, TYPE 3R, MS/TP BACnet, Fuse	10.6
VS003132A-BP3SA	VSD ByPass 3 hp 208 V, TYPE 3R, MS/TP BACnet, Fuse, Space Heater	10.6
VS003132A-BP600	VSD ByPass 3 hp 208 V, TYPE 3R, MS/TP BACnet, 3rd Contactor	10.6
VS003132A-BP6SA	VSD ByPass 3 hp 208 V, TYPE 3R, MS/TP BACnet, 3rd Contactor, Space Heater	10.6
VS003132A-BP900	VSD ByPass 3 hp 208 V, TYPE 3R, MS/TP BACnet, Fuse, 3rd Contactor	10.6
VS003132A-BP9SA	VSD ByPass 3 hp 208 V, TYPE 3R, MS/TP BACnet, Fuse, 3rd Contactor, Space Heater	10.6

1. All horsepower and current ratings are Variable Torque (VT).

Table 5: VSD Series 208 V Enclosed IntelliPass Drives - Frame 5 (Part 1 of 3)

Code Number	Description¹	Current (A)¹
VS005122A-00000	VSD ByPass 5 hp 208 V, TYPE 12	16.7
VS005122A-0P300	VSD ByPass 5 hp 208 V, TYPE 12, Fuse	16.7
VS005122A-0P600	VSD ByPass 5 hp 208 V, TYPE 12, 3rd Contactor	16.7
VS005122A-0P900	VSD ByPass 5 hp 208 V, TYPE 12, Fuse, 3rd Contactor	16.7
VS005122A-L0000	VSD ByPass 5 hp 208 V, TYPE 12, LON	16.7
VS005122A-LP300	VSD ByPass 5 hp 208 V, TYPE 12, LON, Fuse	16.7
VS005122A-LP600	VSD ByPass 5 hp 208 V, TYPE 12, LON, 3rd Contactor	16.7
VS005122A-LP900	VSD ByPass 5 hp 208 V, TYPE 12, LON, Fuse, 3rd Contactor	16.7
VS005122A-N0000	VSD ByPass 5 hp 208 V, TYPE 12, N2/XT/SA Bus	16.7
VS005122A-NP300	VSD ByPass 5 hp 208 V, TYPE 12, N2/XT/SA Bus, Fuse	16.7
VS005122A-NP600	VSD ByPass 5 hp 208 V, TYPE 12, N2/XT/SA Bus, 3rd Contactor	16.7
VS005122A-NP900	VSD ByPass 5 hp 208 V, TYPE 12, N2/XT/SA Bus, Fuse, 3rd Contactor	16.7
VS005122A-B0000	VSD ByPass 5 hp 208 V, TYPE 12, MS/TP BACnet	16.7
VS005122A-BP300	VSD ByPass 5 hp 208 V, TYPE 12, MS/TP BACnet, Fuse	16.7
VS005122A-BP600	VSD ByPass 5 hp 208 V, TYPE 12, MS/TP BACnet, 3rd Contactor	16.7
VS005122A-BP900	VSD ByPass 5 hp 208 V, TYPE 12, MS/TP BACnet, Fuse, 3rd Contactor	16.7
VS005132A-00000	VSD ByPass 5 hp 208 V, TYPE 3R	16.7
VS005132A-0P300	VSD ByPass 5 hp 208 V, TYPE 3R, Fuse	16.7
VS005132A-0P3SA	VSD ByPass 5 hp 208 V, TYPE 3R, Fuse, Space Heater	16.7
VS005132A-0P600	VSD ByPass 5 hp 208 V, TYPE 3R, Fuse, 3rd Contactor	16.7
VS005132A-0P6SA	VSD ByPass 5 hp 208 V, TYPE 3R, Fuse, 3rd Contactor, Space Heater	16.7
VS005132A-0P900	VSD ByPass 5 hp 208 V, TYPE 3R, Fuse, 3rd Contactor	16.7
VS005132A-0P9SA	VSD ByPass 5 hp 208 V, TYPE 3R, Fuse, 3rd Contactor, Space Heater	16.7
VS005132A-L0000	VSD ByPass 5 hp 208 V, TYPE 3R, LON	16.7
VS005132A-LP300	VSD ByPass 5 hp 208 V, TYPE 3R, LON, Fuse	16.7
VS005132A-LP3SA	VSD ByPass 5 hp 208 V, TYPE 3R, LON, Fuse, Space Heater	16.7
VS005132A-LP600	VSD ByPass 5 hp 208 V, TYPE 3R, LON, 3rd Contactor	16.7
VS005132A-LP6SA	VSD ByPass 5 hp 208 V, TYPE 3R, LON, 3rd Contactor, Space Heater	16.7
VS005132A-LP900	VSD ByPass 5 hp 208 V, TYPE 3R, LON, Fuse, 3rd Contactor	16.7
VS005132A-LP9SA	VSD ByPass 5 hp 208 V, TYPE 3R, LON, Fuse, 3rd Contactor, Space Heater	16.7
VS005132A-N0000	VSD ByPass 5 hp 208 V, TYPE 3R, N2/XT/SA Bus	16.7
VS005132A-NP300	VSD ByPass 5 hp 208 V, TYPE 3R, N2/XT/SA Bus, Fuse	16.7
VS005132A-NP3SA	VSD ByPass 5 hp 208 V, TYPE 3R, N2/XT/SA Bus, Fuse, Space Heater	16.7
VS005132A-NP600	VSD ByPass 5 hp 208 V, TYPE 3R, N2/XT/SA Bus, 3rd Contactor	16.7
VS005132A-NP6SA	VSD ByPass 5 hp 208 V, TYPE 3R, N2/XT/SA Bus, 3rd Contactor, Space Heater	16.7
VS005132A-NP900	VSD ByPass 5 hp 208 V, TYPE 3R, N2/XT/SA Bus, Fuse, 3rd Contactor	16.7

Table 5: VSD Series 208 V Enclosed IntelliPass Drives - Frame 5 (Part 2 of 3)

Code Number	Description ¹	Current (A) ¹
VS005132A-NP9SA	VSD ByPass 5 hp 208 V, TYPE 3R, N2/XT/SA Bus, Fuse, 3rd Contactor, Space Heater	16.7
VS005132A-B0000	VSD ByPass 5 hp 208 V, TYPE 3R, MS/TP BACnet	16.7
VS005132A-BP300	VSD ByPass 5 hp 208 V, TYPE 3R, MS/TP BACnet, Fuse	16.7
VS005132A-BP3SA	VSD ByPass 5 hp 208 V, TYPE 3R, MS/TP BACnet, Fuse, Space Heater	16.7
VS005132A-BP600	VSD ByPass 5 hp 208 V, TYPE 3R, MS/TP BACnet, 3rd Contactor	16.7
VS005132A-BP6SA	VSD ByPass 5 hp 208 V, TYPE 3R, MS/TP BACnet, 3rd Contactor, Space Heater	16.7
VS005132A-BP900	VSD ByPass 5 hp 208 V, TYPE 3R, MS/TP BACnet, Fuse, 3rd Contactor	16.7
VS005132A-BP9SA	VSD ByPass 5 hp 208 V, TYPE 3R, MS/TP BACnet, Fuse, 3rd Contactor, Space Heater	16.7
VS007122A-00000	VSD ByPass 7-1/2 hp 208 V, TYPE 12	24.2
VS007122A-0P300	VSD ByPass 7-1/2 hp 208 V, TYPE 12, Fuse	24.2
VS007122A-0P600	VSD ByPass 7-1/2 hp 208 V, TYPE 12, 3rd Contactor	24.2
VS007122A-0P900	VSD ByPass 7-1/2 hp 208 V, TYPE 12, Fuse, 3rd Contactor	24.2
VS007122A-L0000	VSD ByPass 7-1/2 hp 208 V, TYPE 12, LON	24.2
VS007122A-LP300	VSD ByPass 7-1/2 hp 208 V, TYPE 12, LON, Fuse	24.2
VS007122A-LP600	VSD ByPass 7-1/2 hp 208 V, TYPE 12, LON, 3rd Contactor	24.2
VS007122A-LP900	VSD ByPass 7-1/2 hp 208 V, TYPE 12, LON, Fuse, 3rd Contactor	24.2
VS007122A-N0000	VSD ByPass 7-1/2 hp 208 V, TYPE 12, N2/XT/SA Bus	24.2
VS007122A-NP300	VSD ByPass 7-1/2 hp 208 V, TYPE 12, N2/XT/SA Bus, Fuse	24.2
VS007122A-NP600	VSD ByPass 7-1/2 hp 208 V, TYPE 12, N2/XT/SA Bus, 3rd Contactor	24.2
VS007122A-NP900	VSD ByPass 7-1/2 hp 208 V, TYPE 12, N2/XT/SA Bus, Fuse, 3rd Contactor	24.2
VS007122A-B0000	VSD ByPass 7-1/2 hp 208 V, TYPE 12, MS/TP BACnet	24.2
VS007122A-BP300	VSD ByPass 7-1/2 hp 208 V, TYPE 12, MS/TP BACnet, Fuse	24.2
VS007122A-BP600	VSD ByPass 7-1/2 hp 208 V, TYPE 12, MS/TP BACnet, 3rd Contactor	24.2
VS007122A-BP900	VSD ByPass 7-1/2 hp 208 V, TYPE 12, MS/TP BACnet, Fuse, 3rd Contactor	24.2
VS007132A-00000	VSD ByPass 7-1/2 hp 208 V, TYPE 3R	24.2
VS007132A-0P300	VSD ByPass 7-1/2 hp 208 V, TYPE 3R, Fuse	24.2
VS007132A-0P3SA	VSD ByPass 7-1/2 hp 208 V, TYPE 3R, Fuse, Space Heater	24.2
VS007132A-0P600	VSD ByPass 7-1/2 hp 208 V, TYPE 3R, Fuse, 3rd Contactor	24.2
VS007132A-0P6SA	VSD ByPass 7-1/2 hp 208 V, TYPE 3R, Fuse, 3rd Contactor, Space Heater	24.2
VS007132A-0P900	VSD ByPass 7-1/2 hp 208 V, TYPE 3R, Fuse, 3rd Contactor	24.2
VS007132A-0P9SA	VSD ByPass 7-1/2 hp 208 V, TYPE 3R, Fuse, 3rd Contactor, Space Heater	24.2
VS007132A-L0000	VSD ByPass 7-1/2 hp 208 V, TYPE 3R, LON	24.2
VS007132A-LP300	VSD ByPass 7-1/2 hp 208 V, TYPE 3R, LON, Fuse	24.2
VS007132A-LP3SA	VSD ByPass 7-1/2 hp 208 V, TYPE 3R, LON, Fuse, Space Heater	24.2

Table 5: VSD Series 208 V Enclosed IntelliPass Drives - Frame 5 (Part 3 of 3)

Code Number	Description ¹	Current (A) ¹
VS007132A-LP600	VSD ByPass 7-1/2 hp 208 V, TYPE 3R, LON, 3rd Contactor	24.2
VS007132A-LP6SA	VSD ByPass 7-1/2 hp 208 V, TYPE 3R, LON, 3rd Contactor, Space Heater	24.2
VS007132A-LP900	VSD ByPass 2 hp 208 V, TYPE 3R, LON, Fuse, 3rd Contactor	24.2
VS007132A-LP9SA	VSD ByPass 2 hp 208 V, TYPE 3R, LON, Fuse, 3rd Contactor, Space Heater	24.2
VS007132A-N0000	VSD ByPass 2 hp 208 V, TYPE 3R, N2/XT/SA Bus	24.2
VS007132A-NP300	VSD ByPass 2 hp 208 V, TYPE 3R, N2/XT/SA Bus, Fuse	24.2
VS007132A-NP3SA	VSD ByPass 2 hp 208 V, TYPE 3R, N2/XT/SA Bus, Fuse, Space Heater	24.2
VS007132A-NP600	VSD ByPass 2 hp 208 V, TYPE 3R, N2/XT/SA Bus, 3rd Contactor	24.2
VS007132A-NP6SA	VSD ByPass 2 hp 208 V, TYPE 3R, N2/XT/SA Bus, 3rd Contactor, Space Heater	24.2
VS007132A-NP900	VSD ByPass 2 hp 208 V, TYPE 3R, N2/XT/SA Bus, Fuse, 3rd Contactor	24.2
VS007132A-NP9SA	VSD ByPass 2 hp 208 V, TYPE 3R, N2/XT/SA Bus, Fuse, 3rd Contactor, Space Heater	24.2
VS007132A-B0000	VSD ByPass 2 hp 208 V, TYPE 3R, MS/TP BACnet	24.2
VS007132A-BP300	VSD ByPass 2 hp 208 V, TYPE 3R, MS/TP BACnet, Fuse	24.2
VS007132A-BP3SA	VSD ByPass 2 hp 208 V, TYPE 3R, MS/TP BACnet, Fuse, Space Heater	24.2
VS007132A-BP600	VSD ByPass 2 hp 208 V, TYPE 3R, MS/TP BACnet, 3rd Contactor	24.2
VS007132A-BP6SA	VSD ByPass 2 hp 208 V, TYPE 3R, MS/TP BACnet, 3rd Contactor, Space Heater	24.2
VS007132A-BP900	VSD ByPass 2 hp 208 V, TYPE 3R, MS/TP BACnet, Fuse, 3rd Contactor	24.2
VS007132A-BP9SA	VSD ByPass 2 hp 208 V, TYPE 3R, MS/TP BACnet, Fuse, 3rd Contactor, Space Heater	24.2

1. All horsepower and current ratings are Variable Torque (VT).

Table 6: VSD Series 208 V Enclosed IntelliPass Drives - Frame 6 (Part 1 of 5)

Code Number	Description ¹	Current (A) ¹
VS010122A-00000	VSD ByPass 10 hp 208 V, TYPE 12	30.8
VS010122A-0P300	VSD ByPass 10 hp 208 V, TYPE 12, Fuse	30.8
VS010122A-0P600	VSD ByPass 10 hp 208 V, TYPE 12, 3rd Contactor	30.8
VS010122A-0P900	VSD ByPass 10 hp 208 V, TYPE 12, Fuse, 3rd Contactor	30.8
VS010122A-L0000	VSD ByPass 10 hp 208 V, TYPE 12, LON	30.8
VS010122A-LP300	VSD ByPass 10 hp 208 V, TYPE 12, LON, Fuse	30.8
VS010122A-LP600	VSD ByPass 10 hp 208 V, TYPE 12, LON, 3rd Contactor	30.8
VS010122A-LP900	VSD ByPass 10 hp 208 V, TYPE 12, LON, Fuse, 3rd Contactor	30.8
VS010122A-N0000	VSD ByPass 10 hp 208 V, TYPE 12, N2/XT/SA Bus	30.8
VS010122A-NP300	VSD ByPass 10 hp 208 V, TYPE 12, N2/XT/SA Bus, Fuse	30.8

Table 6: VSD Series 208 V Enclosed IntelliPass Drives - Frame 6 (Part 2 of 5)

Code Number	Description¹	Current (A)¹
VS010122A-NP600	VSD ByPass 10 hp 208 V, TYPE 12, N2/XT/SA Bus, 3rd Contactor	30.8
VS010122A-NP900	VSD ByPass 10 hp 208 V, TYPE 12, N2/XT/SA Bus, Fuse, 3rd Contactor	30.8
VS010122A-B0000	VSD ByPass 10 hp 208 V, TYPE 12, MS/TP BACnet	30.8
VS010122A-BP300	VSD ByPass 10 hp 208 V, TYPE 12, MS/TP BACnet, Fuse	30.8
VS010122A-BP600	VSD ByPass 10 hp 208 V, TYPE 12, MS/TP BACnet, 3rd Contactor	30.8
VS010122A-BP900	VSD ByPass 10 hp 208 V, TYPE 12, MS/TP BACnet, Fuse, 3rd Contactor	30.8
VS010132A-00000	VSD ByPass 10 hp 208 V, TYPE 3R	30.8
VS010132A-0P300	VSD ByPass 10 hp 208 V, TYPE 3R, Fuse	30.8
VS010132A-0P3SA	VSD ByPass 10 hp 208 V, TYPE 3R, Fuse, Space Heater	30.8
VS010132A-0P600	VSD ByPass 10 hp 208 V, TYPE 3R, Fuse, 3rd Contactor	30.8
VS010132A-0P6SA	VSD ByPass 10 hp 208 V, TYPE 3R, Fuse, 3rd Contactor, Space Heater	30.8
VS010132A-0P900	VSD ByPass 10 hp 208 V, TYPE 3R, Fuse, 3rd Contactor	30.8
VS010132A-0P9SA	VSD ByPass 10 hp 208 V, TYPE 3R, Fuse, 3rd Contactor, Space Heater	30.8
VS010132A-L0000	VSD ByPass 10 hp 208 V, TYPE 3R, LON	30.8
VS010132A-LP300	VSD ByPass 10 hp 208 V, TYPE 3R, LON, Fuse	30.8
VS010132A-LP3SA	VSD ByPass 10 hp 208 V, TYPE 3R, LON, Fuse, Space Heater	30.8
VS010132A-LP600	VSD ByPass 10 hp 208 V, TYPE 3R, LON, 3rd Contactor	30.8
VS010132A-LP6SA	VSD ByPass 10 hp 208 V, TYPE 3R, LON, 3rd Contactor, Space Heater	30.8
VS010132A-LP900	VSD ByPass 10 hp 208 V, TYPE 3R, LON, Fuse, 3rd Contactor	30.8
VS010132A-LP9SA	VSD ByPass 10 hp 208 V, TYPE 3R, LON, Fuse, 3rd Contactor, Space Heater	30.8
VS010132A-N0000	VSD ByPass 10 hp 208 V, TYPE 3R, N2/XT/SA Bus	30.8
VS010132A-NP300	VSD ByPass 10 hp 208 V, TYPE 3R, N2/XT/SA Bus, Fuse	30.8
VS010132A-NP3SA	VSD ByPass 10 hp 208 V, TYPE 3R, N2/XT/SA Bus, Fuse, Space Heater	30.8
VS010132A-NP600	VSD ByPass 10 hp 208 V, TYPE 3R, N2/XT/SA Bus, 3rd Contactor	30.8
VS010132A-NP6SA	VSD ByPass 10 hp 208 V, TYPE 3R, N2/XT/SA Bus, 3rd Contactor, Space Heater	30.8
VS010132A-NP900	VSD ByPass 10 hp 208 V, TYPE 3R, N2/XT/SA Bus, Fuse, 3rd Contactor	30.8
VS010132A-NP9SA	VSD ByPass 10 hp 208 V, TYPE 3R, N2/XT/SA Bus, Fuse, 3rd Contactor, Space Heater	30.8
VS010132A-B0000	VSD ByPass 10 hp 208 V, TYPE 3R, MS/TP BACnet	30.8
VS010132A-BP300	VSD ByPass 10 hp 208 V, TYPE 3R, MS/TP BACnet, Fuse	30.8
VS010132A-BP3SA	VSD ByPass 10 hp 208 V, TYPE 3R, MS/TP BACnet, Fuse, Space Heater	30.8
VS010132A-BP600	VSD ByPass 10 hp 208 V, TYPE 3R, MS/TP BACnet, 3rd Contactor	30.8
VS010132A-BP6SA	VSD ByPass 10 hp 208 V, TYPE 3R, MS/TP BACnet, 3rd Contactor, Space Heater	30.8

Table 6: VSD Series 208 V Enclosed IntelliPass Drives - Frame 6 (Part 3 of 5)

Code Number	Description ¹	Current (A) ¹
VS010132A-BP900	VSD ByPass 10 hp 208 V, TYPE 3R, MS/TP BACnet, Fuse, 3rd Contactor	30.8
VS010132A-BP9SA	VSD ByPass 10 hp 208 V, TYPE 3R, MS/TP BACnet, Fuse, 3rd Contactor, Space Heater	30.8
VS015122A-00000	VSD ByPass 15 hp 208 V, TYPE 12	46.2
VS015122A-0P300	VSD ByPass 15 hp 208 V, TYPE 12, Fuse	46.2
VS015122A-0P600	VSD ByPass 15 hp 208 V, TYPE 12, 3rd Contactor	46.2
VS015122A-0P900	VSD ByPass 15 hp 208 V, TYPE 12, Fuse, 3rd Contactor	46.2
VS015122A-L0000	VSD ByPass 15 hp 208 V, TYPE 12, LON	46.2
VS015122A-LP300	VSD ByPass 15 hp 208 V, TYPE 12, LON, Fuse	46.2
VS015122A-LP600	VSD ByPass 15 hp 208 V, TYPE 12, LON, 3rd Contactor	46.2
VS015122A-LP900	VSD ByPass 15 hp 208 V, TYPE 12, LON, Fuse, 3rd Contactor	46.2
VS015122A-N0000	VSD ByPass 15 hp 208 V, TYPE 12, N2/XT/SA Bus	46.2
VS015122A-NP300	VSD ByPass 15 hp 208 V, TYPE 12, N2/XT/SA Bus, Fuse	46.2
VS015122A-NP600	VSD ByPass 15 hp 208 V, TYPE 12, N2/XT/SA Bus, 3rd Contactor	46.2
VS015122A-NP900	VSD ByPass 15 hp 208 V, TYPE 12, N2/XT/SA Bus, Fuse, 3rd Contactor	46.2
VS015122A-B0000	VSD ByPass 15 hp 208 V, TYPE 12, MS/TP BACnet	46.2
VS015122A-BP300	VSD ByPass 15 hp 208 V, TYPE 12, MS/TP BACnet, Fuse	46.2
VS015122A-BP600	VSD ByPass 15 hp 208 V, TYPE 12, MS/TP BACnet, 3rd Contactor	46.2
VS015122A-BP900	VSD ByPass 15 hp 208 V, TYPE 12, MS/TP BACnet, Fuse, 3rd Contactor	46.2
VS015132A-00000	VSD ByPass 15 hp 208 V, TYPE 3R	46.2
VS015132A-0P300	VSD ByPass 15 hp 208 V, TYPE 3R, Fuse	46.2
VS015132A-0P3SA	VSD ByPass 15 hp 208 V, TYPE 3R, Fuse, Space Heater	46.2
VS015132A-0P600	VSD ByPass 15 hp 208 V, TYPE 3R, Fuse, 3rd Contactor	46.2
VS015132A-0P6SA	VSD ByPass 15 hp 208 V, TYPE 3R, Fuse, 3rd Contactor, Space Heater	46.2
VS015132A-0P900	VSD ByPass 15 hp 208 V, TYPE 3R, Fuse, 3rd Contactor	46.2
VS015132A-0P9SA	VSD ByPass 15 hp 208 V, TYPE 3R, Fuse, 3rd Contactor, Space Heater	46.2
VS015132A-L0000	VSD ByPass 15 hp 208 V, TYPE 3R, LON	46.2
VS015132A-LP300	VSD ByPass 15 hp 208 V, TYPE 3R, LON, Fuse	46.2
VS015132A-LP3SA	VSD ByPass 15 hp 208 V, TYPE 3R, LON, Fuse, Space Heater	46.2
VS015132A-LP600	VSD ByPass 15 hp 208 V, TYPE 3R, LON, 3rd Contactor	46.2
VS015132A-LP6SA	VSD ByPass 15 hp 208 V, TYPE 3R, LON, 3rd Contactor, Space Heater	46.2
VS015132A-LP900	VSD ByPass 15 hp 208 V, TYPE 3R, LON, Fuse, 3rd Contactor	46.2
VS015132A-LP9SA	VSD ByPass 15 hp 208 V, TYPE 3R, LON, Fuse, 3rd Contactor, Space Heater	46.2
VS015132A-N0000	VSD ByPass 15 hp 208 V, TYPE 3R, N2/XT/SA Bus	46.2
VS015132A-NP300	VSD ByPass 15 hp 208 V, TYPE 3R, N2/XT/SA Bus, Fuse	46.2
VS015132A-NP3SA	VSD ByPass 15 hp 208 V, TYPE 3R, N2/XT/SA Bus, Fuse, Space Heater	46.2

Table 6: VSD Series 208 V Enclosed IntelliPass Drives - Frame 6 (Part 4 of 5)

Code Number	Description¹	Current (A)¹
VS015132A-NP600	VSD ByPass 15 hp 208 V, TYPE 3R, N2/XT/SA Bus, 3rd 3rd Contactor	46.2
VS015132A-NP6SA	VSD ByPass 15 hp 208 V, TYPE 3R, N2/XT/SA Bus, 3rd Contactor, Space Heater	46.2
VS015132A-NP900	VSD ByPass 15 hp 208 V, TYPE 3R, N2/XT/SA Bus, Fuse, 3rd Contactor	46.2
VS015132A-NP9SA	VSD ByPass 15 hp 208 V, TYPE 3R, N2/XT/SA Bus, Fuse, 3rd Contactor, Space Heater	46.2
VS015132A-B0000	VSD ByPass 15 hp 208 V, TYPE 3R, MS/TP BACnet	46.2
VS015132A-BP300	VSD ByPass 15 hp 208 V, TYPE 3R, MS/TP BACnet, Fuse	46.2
VS015132A-BP3SA	VSD ByPass 15 hp 208 V, TYPE 3R, MS/TP BACnet, Fuse, Space Heater	46.2
VS015132A-BP600	VSD ByPass 15 hp 208 V, TYPE 3R, MS/TP BACnet, 3rd Contactor	46.2
VS015132A-BP6SA	VSD ByPass 15 hp 208 V, TYPE 3R, MS/TP BACnet, 3rd Contactor, Space Heater	46.2
VS015132A-BP900	VSD ByPass 15 hp 208 V, TYPE 3R, MS/TP BACnet, Fuse, 3rd Contactor	46.2
VS015132A-BP9SA	VSD ByPass 15 hp 208 V, TYPE 3R, MS/TP BACnet, Fuse, 3rd Contactor, Space Heater	46.2
VS020122A-00000	VSD ByPass 20 hp 208 V, TYPE 12	59.4
VS020122A-0P300	VSD ByPass 20 hp 208 V, TYPE 12, Fuse	59.4
VS020122A-0P600	VSD ByPass 20 hp 208 V, TYPE 12, 3rd Contactor	59.4
VS020122A-0P900	VSD ByPass 20 hp 208 V, TYPE 12, Fuse, 3rd Contactor	59.4
VS020122A-L0000	VSD ByPass 20 hp 208 V, TYPE 12, LON	59.4
VS020122A-LP300	VSD ByPass 20 hp 208 V, TYPE 12, LON, Fuse	59.4
VS020122A-LP600	VSD ByPass 20 hp 208 V, TYPE 12, LON, 3rd Contactor	59.4
VS020122A-LP900	VSD ByPass 20 hp 208 V, TYPE 12, LON, Fuse, 3rd Contactor	59.4
VS020122A-N0000	VSD ByPass 20 hp 208 V, TYPE 12, N2/XT/SA Bus	59.4
VS020122A-NP300	VSD ByPass 20 hp 208 V, TYPE 12, N2/XT/SA Bus, Fuse	59.4
VS020122A-NP600	VSD ByPass 20 hp 208 V, TYPE 12, N2/XT/SA Bus, 3rd Contactor	59.4
VS020122A-NP900	VSD ByPass 20 hp 208 V, TYPE 12, N2/XT/SA Bus, Fuse, 3rd Contactor	59.4
VS020122A-B0000	VSD ByPass 20 hp 208 V, TYPE 12, MS/TP BACnet	59.4
VS020122A-BP300	VSD ByPass 20 hp 208 V, TYPE 12, MS/TP BACnet, Fuse	59.4
VS020122A-BP600	VSD ByPass 20 hp 208 V, TYPE 12, MS/TP BACnet, 3rd Contactor	59.4
VS020122A-BP900	VSD ByPass 20 hp 208 V, TYPE 12, MS/TP BACnet, Fuse, 3rd Contactor	59.4
VS020132A-00000	VSD ByPass 20 hp 208 V, TYPE 3R	59.4
VS020132A-0P300	VSD ByPass 20 hp 208 V, TYPE 3R, Fuse	59.4
VS020132A-0P3SA	VSD ByPass 20 hp 208 V, TYPE 3R, Fuse, Space Heater	59.4
VS020132A-0P600	VSD ByPass 20 hp 208 V, TYPE 3R, Fuse, 3rd Contactor	59.4
VS020132A-0P6SA	VSD ByPass 20 hp 208 V, TYPE 3R, Fuse, 3rd Contactor, Space Heater	59.4
VS020132A-0P900	VSD ByPass 20 hp 208 V, TYPE 3R, Fuse, 3rd Contactor	59.4

Table 6: VSD Series 208 V Enclosed IntelliPass Drives - Frame 6 (Part 5 of 5)

Code Number	Description ¹	Current (A) ¹
VS020132A-0P9SA	VSD ByPass 20 hp 208 V, TYPE 3R, Fuse, 3rd Contactor, Space Heater	59.4
VS020132A-L0000	VSD ByPass 20 hp 208 V, TYPE 3R, LON	59.4
VS020132A-LP300	VSD ByPass 20 hp 208 V, TYPE 3R, LON, Fuse	59.4
VS020132A-LP3SA	VSD ByPass 20 hp 208 V, TYPE 3R, LON, Fuse, Space Heater	59.4
VS020132A-LP600	VSD ByPass 20 hp 208 V, TYPE 3R, LON, 3rd Contactor	59.4
VS020132A-LP6SA	VSD ByPass 20 hp 208 V, TYPE 3R, LON, 3rd Contactor, Space Heater	59.4
VS020132A-LP900	VSD ByPass 20 hp 208 V, TYPE 3R, LON, Fuse, 3rd Contactor	59.4
VS020132A-LP9SA	VSD ByPass 20 hp 208 V, TYPE 3R, LON, Fuse, 3rd Contactor, Space Heater	59.4
VS020132A-N0000	VSD ByPass 20 hp 208 V, TYPE 3R, N2/XT/SA Bus	59.4
VS020132A-NP300	VSD ByPass 20 hp 208 V, TYPE 3R, N2/XT/SA Bus, Fuse	59.4
VS020132A-NP3SA	VSD ByPass 20 hp 208 V, TYPE 3R, N2/XT/SA Bus, Fuse, Space Heater	59.4
VS020132A-NP600	VSD ByPass 20 hp 208 V, TYPE 3R, N2/XT/SA Bus, 3rd Contactor	59.4
VS020132A-NP6SA	VSD ByPass 20 hp 208 V, TYPE 3R, N2/XT/SA Bus, 3rd Contactor, Space Heater	59.4
VS020132A-NP900	VSD ByPass 20 hp 208 V, TYPE 3R, N2/XT/SA Bus, Fuse, 3rd Contactor	59.4
VS020132A-NP9SA	VSD ByPass 20 hp 208 V, TYPE 3R, N2/XT/SA Bus, Fuse, 3rd Contactor, Space Heater	59.4
VS020132A-B0000	VSD ByPass 20 hp 208 V, TYPE 3R, MS/TP BACnet	59.4
VS020132A-BP300	VSD ByPass 20 hp 208 V, TYPE 3R, MS/TP BACnet, Fuse	59.4
VS020132A-BP3SA	VSD ByPass 20 hp 208 V, TYPE 3R, MS/TP BACnet, Fuse, Space Heater	59.4
VS020132A-BP600	VSD ByPass 20 hp 208 V, TYPE 3R, MS/TP BACnet, 3rd Contactor	59.4
VS020132A-BP6SA	VSD ByPass 20 hp 208 V, TYPE 3R, MS/TP BACnet, 3rd Contactor, Space Heater	59.4
VS020132A-BP900	VSD ByPass 20 hp 208 V, TYPE 3R, MS/TP BACnet, Fuse, 3rd Contactor	59.4
VS020132A-BP9SA	VSD ByPass 20 hp 208 V, TYPE 3R, MS/TP BACnet, Fuse, 3rd Contactor, Space Heater	59.4

1. All horsepower and current ratings are Variable Torque (VT).

Table 7: VSD Series 208 V Enclosed IntelliPass Drives - Frame 7 (Part 1 of 2)

Code Number	Description ¹	Current (A) ¹
VS025122A-00000	VSD ByPass 25 hp 208 V, TYPE 12	74.8
VS025122A-0P600	VSD ByPass 25 hp 208 V, TYPE 12, 3rd Contactor	74.8
VS025122A-L0000	VSD ByPass 25 hp 208 V, TYPE 12, LON	74.8
VS025122A-LP600	VSD ByPass 25 hp 208 V, TYPE 12, LON, 3rd Contactor	74.8
VS025122A-N0000	VSD ByPass 25 hp 208 V, TYPE 12, N2/XT/SA Bus	74.8
VS025122A-NP600	VSD ByPass 25 hp 208 V, TYPE 12, N2/XT/SA Bus, 3rd Contactor	74.8

Table 7: VSD Series 208 V Enclosed IntelliPass Drives - Frame 7 (Part 2 of 2)

Code Number	Description¹	Current (A)¹
VS025122A-B0000	VSD ByPass 25 hp 208 V, TYPE 12, MS/TP BACnet	74.8
VS025122A-BP600	VSD ByPass 25 hp 208 V, TYPE 12, MS/TP BACnet, 3rd Contactor	74.8
VS025132A-00000	VSD ByPass 25 hp 208 V, TYPE 3R	74.8
VS025132A-0P600	VSD ByPass 25 hp 208 V, TYPE 3R, Contactor	74.8
VS025132A-0P6SA	VSD ByPass 25 hp 208 V, TYPE 3R, Contactor, Space Heater	74.8
VS025132A-L0000	VSD ByPass 25 hp 208 V, TYPE 3R, LON	74.8
VS025132A-LP600	VSD ByPass 25 hp 208 V, TYPE 3R, LON, 3rd Contactor	74.8
VS025132A-LP6SA	VSD ByPass 25 hp 208 V, TYPE 3R, LON, 3rd Contactor, Space Heater	74.8
VS025132A-N0000	VSD ByPass 25 hp 208 V, TYPE 3R, N2/XT/SA Bus	74.8
VS025132A-NP600	VSD ByPass 25 hp 208 V, TYPE 3R, N2/XT/SA Bus, 3rd Contactor	59.4
VS025132A-NP6SA	VSD ByPass 25 hp 208 V, TYPE 3R, N2/XT/SA Bus, 3rd Contactor, Space Heater	78.4
VS025132A-B0000	VSD ByPass 25 hp 208 V, TYPE 3R, MS/TP BACnet	78.4
VS025132A-BP600	VSD ByPass 25 hp 208 V, TYPE 3R, MS/TP BACnet, 3rd Contactor	78.4
VS025132A-BP6SA	VSD ByPass 25 hp 208 V, TYPE 3R, MS/TP BACnet, 3rd Contactor, Space Heater	78.4
VS030122A-00000	VSD ByPass 30 hp 208 V, TYPE 12	88
VS030122A-0P600	VSD ByPass 30 hp 208 V, TYPE 12, 3rd Contactor	88
VS030122A-L0000	VSD ByPass 30 hp 208 V, TYPE 12, LON	88
VS030122A-LP600	VSD ByPass 30 hp 208 V, TYPE 12, LON, 3rd Contactor	88
VS030122A-N0000	VSD ByPass 30 hp 208 V, TYPE 12, N2/XT/SA Bus	88
VS030122A-NP600	VSD ByPass 30 hp 208 V, TYPE 12, N2/XT/SA Bus, 3rd Contactor	88
VS030122A-B0000	VSD ByPass 30 hp 208 V, TYPE 12, MS/TP BACnet	88
VS030122A-BP600	VSD ByPass 30 hp 208 V, TYPE 12, MS/TP BACnet, 3rd Contactor	88
VS030132A-00000	VSD ByPass 30 hp 208 V, TYPE 3R	88
VS030132A-0P600	VSD ByPass 30 hp 208 V, TYPE 3R, Contactor	88
VS030132A-0P6SA	VSD ByPass 30 hp 208 V, TYPE 3R, Contactor, Space Heater	88
VS030132A-L0000	VSD ByPass 30 hp 208 V, TYPE 3R, LON	88
VS030132A-LP600	VSD ByPass 30 hp 208 V, TYPE 3R, LON, 3rd Contactor	88
VS030132A-LP6SA	VSD ByPass 30 hp 208 V, TYPE 3R, LON, 3rd Contactor, Space Heater	88
VS030132A-N0000	VSD ByPass 30 hp 208 V, TYPE 3R, N2/XT/SA Bus	88
VS030132A-NP600	VSD ByPass 30 hp 208 V, TYPE 3R, N2/XT/SA Bus, 3rd Contactor	88
VS030132A-NP6SA	VSD ByPass 30 hp 208 V, TYPE 3R, N2/XT/SA Bus, 3rd Contactor, Space Heater	88
VS030132A-B0000	VSD ByPass 30 hp 208 V, TYPE 3R, MS/TP BACnet	88
VS030132A-BP600	VSD ByPass 30 hp 208 V, TYPE 3R, MS/TP BACnet, 3rd Contactor	88
VS030132A-BP6SA	VSD ByPass 30 hp 208 V, TYPE 3R, MS/TP BACnet, 3rd Contactor, Space Heater	88

1. All horsepower and current ratings are Variable Torque (VT).

Table 8: VSD Series 208 V Enclosed IntelliPass Drives - Frame 8 (Part 1 of 2)

Code Number	Description ¹	Current (A) ¹
VS040122A-00000	VSD ByPass 40 hp 208 V, TYPE 12	114
VS040122A-0P600	VSD ByPass 40 hp 208 V, TYPE 12, 3rd Contactor	114
VS040122A-L0000	VSD ByPass 40 hp 208 V, TYPE 12, LON	114
VS040122A-LP600	VSD ByPass 40 hp 208 V, TYPE 12, LON, 3rd Contactor	114
VS040122A-N0000	VSD ByPass 40 hp 208 V, TYPE 12, N2/XT/SA Bus	114
VS040122A-NP600	VSD ByPass 40 hp 208 V, TYPE 12, N2/XT/SA Bus, 3rd Contactor	114
VS040122A-B0000	VSD ByPass 40 hp 208 V, TYPE 12, MS/TP BACnet	114
VS040122A-BP600	VSD ByPass 40 hp 208 V, TYPE 12, MS/TP BACnet, 3rd Contactor	114
VS040132A-00000	VSD ByPass 40 hp 208 V, TYPE 3R	114
VS040132A-0P600	VSD ByPass 40 hp 208 V, TYPE 3R, Contactor	114
VS040132A-0P6SA	VSD ByPass 40 hp 208 V, TYPE 3R, Contactor, Space Heater	114
VS040132A-L0000	VSD ByPass 40 hp 208 V, TYPE 3R, LON	114
VS040132A-LP600	VSD ByPass 40 hp 208 V, TYPE 3R, LON, 3rd Contactor	114
VS040132A-LP6SA	VSD ByPass 40 hp 208 V, TYPE 3R, LON, 3rd Contactor, Space Heater	114
VS040132A-N0000	VSD ByPass 40 hp 208 V, TYPE 3R, N2/XT/SA Bus	114
VS040132A-NP600	VSD ByPass 40 hp 208 V, TYPE 3R, N2/XT/SA Bus, 3rd Contactor	114
VS040132A-NP6SA	VSD ByPass 40 hp 208 V, TYPE 3R, N2/XT/SA Bus, 3rd Contactor, Space Heater	114
VS040132A-B0000	VSD ByPass 40 hp 208 V, TYPE 3R, MS/TP BACnet	114
VS040132A-BP600	VSD ByPass 40 hp 208 V, TYPE 3R, MS/TP BACnet, 3rd Contactor	114
VS040132A-BP6SA	VSD ByPass 40 hp 208 V, TYPE 3R, MS/TP BACnet, 3rd Contactor, Space Heater	114
VS050122A-00000	VSD ByPass 50 hp 208 V, TYPE 12	143
VS050122A-0P600	VSD ByPass 50 hp 208 V, TYPE 12, 3rd Contactor	143
VS050122A-L0000	VSD ByPass 50 hp 208 V, TYPE 12, LON	143
VS050122A-LP600	VSD ByPass 50 hp 208 V, TYPE 12, LON, 3rd Contactor	143
VS050122A-N0000	VSD ByPass 50 hp 208 V, TYPE 12, N2/XT/SA Bus	143
VS050122A-NP600	VSD ByPass 50 hp 208 V, TYPE 12, N2/XT/SA Bus, 3rd Contactor	143
VS050122A-B0000	VSD ByPass 50 hp 208 V, TYPE 12, MS/TP BACnet	143
VS050122A-BP600	VSD ByPass 50 hp 208 V, TYPE 12, MS/TP BACnet, 3rd Contactor	143
VS050132A-00000	VSD ByPass 30 hp 208 V, TYPE 3R	143
VS050132A-0P600	VSD ByPass 30 hp 208 V, TYPE 3R, Contactor	143
VS050132A-0P6SA	VSD ByPass 30 hp 208 V, TYPE 3R, Contactor, Space Heater	143
VS050132A-L0000	VSD ByPass 30 hp 208 V, TYPE 3R, LON	143
VS050132A-LP600	VSD ByPass 30 hp 208 V, TYPE 3R, LON, 3rd Contactor	143
VS050132A-LP6SA	VSD ByPass 30 hp 208 V, TYPE 3R, LON, 3rd Contactor, Space Heater	143
VS050132A-N0000	VSD ByPass 30 hp 208 V, TYPE 3R, N2/XT/SA Bus	143
VS050132A-NP600	VSD ByPass 30 hp 208 V, TYPE 3R, N2/XT/SA Bus, 3rd Contactor	143

Table 8: VSD Series 208 V Enclosed IntelliPass Drives - Frame 8 (Part 2 of 2)

Code Number	Description ¹	Current (A) ¹
VS050132A-NP6SA	VSD ByPass 30 hp 208 V, TYPE 3R, N2/XT/SA Bus, 3rd Contactor, Space Heater	143
VS050132A-B0000	VSD ByPass 30 hp 208 V, TYPE 3R, MS/TP BACnet	143
VS050132A-BP600	VSD ByPass 30 hp 208 V, TYPE 3R, MS/TP BACnet, 3rd Contactor	143
VS050132A-BP6SA	VSD ByPass 30 hp 208 V, TYPE 3R, MS/TP BACnet, 3rd Contactor, Space Heater	143
VS060122A-00000	VSD ByPass 60 hp 208 V, TYPE 12	169
VS060122A-0P600	VSD ByPass 60 hp 208 V, TYPE 12, 3rd Contactor	169
VS060122A-L0000	VSD ByPass 60 hp 208 V, TYPE 12, LON	169
VS060122A-LP600	VSD ByPass 60 hp 208 V, TYPE 12, LON, 3rd Contactor	169
VS060122A-N0000	VSD ByPass 60 hp 208 V, TYPE 12, N2/XT/SA Bus	169
VS060122A-NP600	VSD ByPass 60 hp 208 V, TYPE 12, N2/XT/SA Bus, 3rd Contactor	169
VS060122A-B0000	VSD ByPass 60 hp 208 V, TYPE 12, MS/TP BACnet	169
VS060122A-BP600	VSD ByPass 60 hp 208 V, TYPE 12, MS/TP BACnet, 3rd Contactor	169
VS060132A-00000	VSD ByPass 60 hp 208 V, TYPE 3R	169
VS060132A-0P600	VSD ByPass 60 hp 208 V, TYPE 3R, Contactor	169
VS060132A-0P6SA	VSD ByPass 60 hp 208 V, TYPE 3R, Contactor, Space Heater	169
VS060132A-L0000	VSD ByPass 60 hp 208 V, TYPE 3R, LON	169
VS060132A-LP600	VSD ByPass 60 hp 208 V, TYPE 3R, LON, 3rd Contactor	169
VS060132A-LP6SA	VSD ByPass 60 hp 208 V, TYPE 3R, LON, 3rd Contactor, Space Heater	169
VS060132A-N0000	VSD ByPass 60 hp 208 V, TYPE 3R, N2/XT/SA Bus	169
VS060132A-NP600	VSD ByPass 60 hp 208 V, TYPE 3R, N2/XT/SA Bus, 3rd Contactor	169
VS060132A-NP6SA	VSD ByPass 60 hp 208 V, TYPE 3R, N2/XT/SA Bus, 3rd Contactor, Space Heater	169
VS060132A-B0000	VSD ByPass 60 hp 208 V, TYPE 3R, MS/TP BACnet	169
VS060132A-BP600	VSD ByPass 60 hp 208 V, TYPE 3R, MS/TP BACnet, 3rd Contactor	169
VS060132A-BP6SA	VSD ByPass 60 hp 208 V, TYPE 3R, MS/TP BACnet, 3rd Contactor, Space Heater	169

1. All horsepower and current ratings are Variable Torque (VT).

Table 9: VSD Series 208 V Enclosed IntelliDisconnect Drives - Frame 4 (Part 1 of 2)

Code Number	Description ¹	Current (A) ¹
VS001123A-00000	VSD with Disconnect 1 hp 208 V, TYPE 12	4.8
VS001123A-N0000	VSD with Disconnect 1 hp 208 V, TYPE 12, N2/XT/SA Bus	4.8
VS001123A-B0000	VSD with Disconnect 1 hp 208 V, TYPE 12, MS/TP BACnet	4.8
VS001133A-00000	VSD with Disconnect 1 hp 208 V, TYPE 3R	4.8
VS001133A-0SA00	VSD with Disconnect 1 hp 208 V, TYPE 3R, Space Heater	4.8
VS001133A-N0000	VSD with Disconnect 1 hp 208 V, TYPE 3R, N2/XT/SA Bus	4.8
VS001133A-NSA00	VSD with Disconnect 1 hp 208 V, TYPE 3R, N2/XT/SA Bus, Space Heater	4.8

Table 9: VSD Series 208 V Enclosed IntelliDisconnect Drives - Frame 4 (Part 2 of 2)

Code Number	Description ¹	Current (A) ¹
VS001133A-B0000	VSD with Disconnect 1 hp 208 V, TYPE 3R, MS/TP BACnet	4.8
VS001133A-BSA00	VSD with Disconnect 1 hp 208 V, TYPE 3R, MS/TP BACnet, Space Heater	4.8
VS002123A-00000	VSD with Disconnect 2 hp 208 V, TYPE 12	7.8
VS002123A-N0000	VSD with Disconnect 2 hp 208 V, TYPE 12, N2/XT/SA Bus	7.8
VS002123A-B0000	VSD with Disconnect 2 hp 208 V, TYPE 12, MS/TP BACnet	7.8
VS002133A-00000	VSD with Disconnect 2 hp 208 V, TYPE 3R	7.8
VS002133A-0SA00	VSD with Disconnect 2 hp 208 V, TYPE 3R, Space Heater	7.8
VS002133A-N0000	VSD with Disconnect 2 hp 208 V, TYPE 3R, N2/XT/SA Bus	7.8
VS002133A-NSA00	VSD with Disconnect 2 hp 208 V, TYPE 3R, N2/XT/SA Bus, Space Heater	7.8
VS002133A-B0000	VSD with Disconnect 2 hp 208 V, TYPE 3R, MS/TP BACnet	7.8
VS002133A-BSA00	VSD with Disconnect 2 hp 208 V, TYPE 3R, MS/TP BACnet, Space Heater	7.8
VS003123A-00000	VSD with Disconnect 3 hp 208 V, TYPE 12	11
VS003123A-N0000	VSD with Disconnect 3 hp 208 V, TYPE 12, N2/XT/SA Bus	11
VS003123A-B0000	VSD with Disconnect 3 hp 208 V, TYPE 12, MS/TP BACnet	11
VS003133A-00000	VSD with Disconnect 3 hp 208 V, TYPE 3R	11
VS003133A-0SA00	VSD with Disconnect 3 hp 208 V, TYPE 3R, Space Heater	11
VS003133A-N0000	VSD with Disconnect 3 hp 208 V, TYPE 3R, N2/XT/SA Bus	11
VS003133A-NSA00	VSD with Disconnect 3 hp 208 V, TYPE 3R, N2/XT/SA Bus, Space Heater	11
VS003133A-B0000	VSD with Disconnect 3 hp 208 V, TYPE 3R, MS/TP BACnet	11
VS003133A-BSA00	VSD with Disconnect 3 hp 208 V, TYPE 3R, MS/TP BACnet, Space Heater	11

1. All horsepower and current ratings are Variable Torque (VT).

Table 10: VSD Series 208 V Enclosed IntelliDisconnect Drives - Frame 5 (Part 1 of 2)

Code Number	Description ¹	Current (A) ¹
VS005123A-00000	VSD with Disconnect 5 hp 208 V, TYPE 12	17.5
VS005123A-N0000	VSD with Disconnect 5 hp 208 V, TYPE 12, N2/XT/SA Bus	17.5
VS005123A-B0000	VSD with Disconnect 5 hp 208 V, TYPE 12, MS/TP BACnet	17.5
VS005133A-00000	VSD with Disconnect 5 hp 208 V, TYPE 3R	17.5
VS005133A-0SA00	VSD with Disconnect 5 hp 208 V, TYPE 3R, Space Heater	17.5
VS005133A-N0000	VSD with Disconnect 5 hp 208 V, TYPE 3R, N2/XT/SA Bus	17.5
VS005133A-NSA00	VSD with Disconnect 5 hp 208 V, TYPE 3R, N2/XT/SA Bus, Space Heater	17.5
VS005133A-B0000	VSD with Disconnect 5 hp 208 V, TYPE 3R, MS/TP BACnet	17.5
VS005133A-BSA00	VSD with Disconnect 5 hp 208 V, TYPE 3R, MS/TP BACnet, Space Heater	17.5
VS007123A-00000	VSD with Disconnect 7-1/2 hp 208 V, TYPE 12	25

Table 10: VSD Series 208 V Enclosed IntelliDisconnect Drives - Frame 5 (Part 2 of 2)

Code Number	Description ¹	Current (A) ¹
VS007123A-N0000	VSD with Disconnect 7-1/2 hp 208 V, TYPE 12, N2/XT/SA Bus	25
VS007123A-B0000	VSD with Disconnect 7-1/2 hp 208 V, TYPE 12, MS/TP BACnet	25
VS007133A-00000	VSD with Disconnect 7-1/2 hp 208 V, TYPE 3R	25
VS007133A-0SA00	VSD with Disconnect 7-1/2 hp 208 V, TYPE 3R, Space Heater	25
VS007133A-N0000	VSD with Disconnect 7-1/2 hp 208 V, TYPE 3R, N2/XT/SA Bus	25
VS007133A-NSA00	VSD with Disconnect 7-1/2 hp 208 V, TYPE 3R, N2/XT/SA Bus, Space Heater	25
VS007133A-B0000	VSD with Disconnect 7-1/2 hp 208 V, TYPE 3R, MS/TP BACnet	25
VS007133A-BSA00	VSD with Disconnect 7-1/2 hp 208 V, TYPE 3R, MS/TP BACnet, Space Heater	25

1. All horsepower and current ratings are Variable Torque (VT).

Table 11: VSD Series 208 V Enclosed IntelliDisconnect Drives - Frame 6 (Part 1 of 2)

Code Number	Description ¹	Current (A) ¹
VS010123A-00000	VSD with Disconnect 10 hp 208 V, TYPE 12	31
VS010123A-N0000	VSD with Disconnect 10 hp 208 V, TYPE 12, N2/XT/SA Bus	31
VS010123A-B0000	VSD with Disconnect 10 hp 208 V, TYPE 12, MS/TP BACnet	31
VS010133A-00000	VSD with Disconnect 10 hp 208 V, TYPE 3R	31
VS010133A-0SA00	VSD with Disconnect 10 hp 208 V, TYPE 3R, Space Heater	31
VS010133A-N0000	VSD with Disconnect 10 hp 208 V, TYPE 3R, N2/XT/SA Bus	31
VS010133A-NSA00	VSD with Disconnect 10 hp 208 V, TYPE 3R, N2/XT/SA Bus, Space Heater	31
VS010133A-B0000	VSD with Disconnect 10 hp 208 V, TYPE 3R, MS/TP BACnet	31
VS010133A-BSA00	VSD with Disconnect 10 hp 208 V, TYPE 3R, MS/TP BACnet, Space Heater	31
VS015123A-00000	VSD with Disconnect 15 hp 208 V, TYPE 12	48
VS015123A-N0000	VSD with Disconnect 15 hp 208 V, TYPE 12, N2/XT/SA Bus	48
VS015123A-B0000	VSD with Disconnect 15 hp 208 V, TYPE 12, MS/TP BACnet	48
VS015133A-00000	VSD with Disconnect 15 hp 208 V, TYPE 3R	48
VS015133A-0SA00	VSD with Disconnect 15 hp 208 V, TYPE 3R, Space Heater	48
VS015133A-N0000	VSD with Disconnect 15 hp 208 V, TYPE 3R, N2/XT/SA Bus	48
VS015133A-NSA00	VSD with Disconnect 15 hp 208 V, TYPE 3R, N2/XT/SA Bus, Space Heater	48
VS015133A-B0000	VSD with Disconnect 15 hp 208 V, TYPE 3R, MS/TP BACnet	48
VS015133A-BSA00	VSD with Disconnect 15 hp 208 V, TYPE 3R, MS/TP BACnet, Space Heater	48
VS020123A-00000	VSD with Disconnect 20 hp 208 V, TYPE 12	61
VS020123A-N0000	VSD with Disconnect 20 hp 208 V, TYPE 12, N2/XT/SA Bus	61
VS020123A-B0000	VSD with Disconnect 20 hp 208 V, TYPE 12, MS/TP BACnet	61
VS020133A-00000	VSD with Disconnect 20 hp 208 V, TYPE 3R	61

Table 11: VSD Series 208 V Enclosed IntelliDisconnect Drives - Frame 6 (Part 2 of 2)

Code Number	Description ¹	Current (A) ¹
VS020133A-0SA00	VSD with Disconnect 20 hp 208 V, TYPE 3R, Space Heater	61
VS020133A-N0000	VSD with Disconnect 20 hp 208 V, TYPE 3R, N2/XT/SA Bus	61
VS020133A-NSA00	VSD with Disconnect 20 hp 208 V, TYPE 3R, N2/XT/SA Bus, Space Heater	61
VS020133A-B0000	VSD with Disconnect 20 hp 208 V, TYPE 3R, MS/TP BACnet	61
VS020133A-BSA00	VSD with Disconnect 20 hp 208 V, TYPE 3R, MS/TP BACnet, Space Heater	61

1. All horsepower and current ratings are Variable Torque (VT).

Table 12: VSD Series 208 V Enclosed IntelliDisconnect Drives - Frame 7

Code Number	Description ¹	Current (A) ¹
VS025123A-00000	VSD with Disconnect 25 hp 208 V, TYPE 12	75
VS025123A-N0000	VSD with Disconnect 25 hp 208 V, TYPE 12, N2/XT/SA Bus	75
VS025123A-B0000	VSD with Disconnect 25 hp 208 V, TYPE 12, MS/TP BACnet	75
VS025133A-00000	VSD with Disconnect 25 hp 208 V, TYPE 3R	75
VS025133A-0SA00	VSD with Disconnect 25 hp 208 V, TYPE 3R, Space Heater	75
VS025133A-N0000	VSD with Disconnect 25 hp 208 V, TYPE 3R, N2/XT/SA Bus	75
VS025133A-NSA00	VSD with Disconnect 25 hp 208 V, TYPE 3R, N2/XT/SA Bus, Space Heater	75
VS025133A-B0000	VSD with Disconnect 25 hp 208 V, TYPE 3R, MS/TP BACnet	75
VS025133A-BSA00	VSD with Disconnect 25 hp 208 V, TYPE 3R, MS/TP BACnet, Space Heater	75
VS030123A-00000	VSD with Disconnect 30 hp 208 V, TYPE 12	88
VS030123A-N0000	VSD with Disconnect 30 hp 208 V, TYPE 12, N2/XT/SA Bus	88
VS030123A-B0000	VSD with Disconnect 30 hp 208 V, TYPE 12, MS/TP BACnet	88
VS030133A-00000	VSD with Disconnect 30 hp 208 V, TYPE 3R	88
VS030133A-0SA00	VSD with Disconnect 30 hp 208 V, TYPE 3R, Space Heater	88
VS030133A-N0000	VSD with Disconnect 30 hp 208 V, TYPE 3R, N2/XT/SA Bus	88
VS030133A-NSA00	VSD with Disconnect 30 hp 208 V, TYPE 3R, N2/XT/SA Bus, Space Heater	88
VS030133A-B0000	VSD with Disconnect 30 hp 208 V, TYPE 3R, MS/TP BACnet	88
VS030133A-BSA00	VSD with Disconnect 30 hp 208 V, TYPE 3R, MS/TP BACnet, Space Heater	88

1. All horsepower and current ratings are Variable Torque (VT).

Table 13: VSD Series 208 V Enclosed IntelliDisconnect Drives - Frame 8

Code Number	Description¹	Current (A)¹
VS040123A-00000	VSD with Disconnect 40 hp 208 V, TYPE 12	114
VS040123A-N0000	VSD with Disconnect 40 hp 208 V, TYPE 12, N2/XT/SA Bus	114
VS040123A-B0000	VSD with Disconnect 40 hp 208 V, TYPE 12, MS/TP BACnet	114
VS040133A-00000	VSD with Disconnect 40 hp 208 V, TYPE 3R	114
VS040133A-0SA00	VSD with Disconnect 40 hp 208 V, TYPE 3R, Space Heater	114
VS040133A-N0000	VSD with Disconnect 40 hp 208 V, TYPE 3R, N2/XT/SA Bus	114
VS040133A-NSA00	VSD with Disconnect 40 hp 208 V, TYPE 3R, N2/XT/SA Bus, Space Heater	114
VS040133A-B0000	VSD with Disconnect 40 hp 208 V, TYPE 3R, MS/TP BACnet	114
VS040133A-BSA00	VSD with Disconnect 40 hp 208 V, TYPE 3R, MS/TP BACnet, Space Heater	114
VS050123A-00000	VSD with Disconnect 50 hp 208 V, TYPE 12	140
VS050123A-N0000	VSD with Disconnect 50 hp 208 V, TYPE 12, N2/XT/SA Bus	140
VS050123A-B0000	VSD with Disconnect 50 hp 208 V, TYPE 12, MS/TP BACnet	140
VS050133A-00000	VSD with Disconnect 50 hp 208 V, TYPE 3R	140
VS050133A-0SA00	VSD with Disconnect 50 hp 208 V, TYPE 3R, Space Heater	140
VS050133A-N0000	VSD with Disconnect 50 hp 208 V, TYPE 3R, N2/XT/SA Bus	140
VS050133A-NSA00	VSD with Disconnect 50 hp 208 V, TYPE 3R, N2/XT/SA Bus, Space Heater	140
VS050133A-B0000	VSD with Disconnect 50 hp 208 V, TYPE 3R, MS/TP BACnet	140
VS050133A-BSA00	VSD with Disconnect 50 hp 208 V, TYPE 3R, MS/TP BACnet, Space Heater	140
VS060123A-00000	VSD with Disconnect 60 hp 208 V, TYPE 12	170
VS060123A-N0000	VSD with Disconnect 60 hp 208 V, TYPE 12, N2/XT/SA Bus	170
VS060123A-B0000	VSD with Disconnect 60 hp 208 V, TYPE 12, MS/TP BACnet	170
VS060133A-00000	VSD with Disconnect 60 hp 208 V, TYPE 3R	170
VS060133A-0SA00	VSD with Disconnect 60 hp 208 V, TYPE 3R, Space Heater	170
VS060133A-N0000	VSD with Disconnect 60 hp 208 V, TYPE 3R, N2/XT/SA Bus	170
VS060133A-NSA00	VSD with Disconnect 60 hp 208 V, TYPE 3R, N2/XT/SA Bus, Space Heater	170
VS060133A-B0000	VSD with Disconnect 60 hp 208 V, TYPE 3R, MS/TP BACnet	170
VS060133A-BSA00	VSD with Disconnect 60 hp 208 V, TYPE 3R, MS/TP BACnet, Space Heater	170

1. All horsepower and current ratings are Variable Torque (VT).

Table 14: VSD Series 230 V Enclosed IntelliPass Drives - Frame 4 (Part 1 of 4)

Code Number	Description ¹	Current (A) ¹
VS001222A-00000	VSD ByPass 1 hp 230 V, TYPE 12	4.2
VS001222A-0P300	VSD ByPass 1 hp 230 V, TYPE 12, Fuse	4.2
VS001222A-0P600	VSD ByPass 1 hp 230 V, TYPE 12, 3rd Contactor	4.2
VS001222A-0P900	VSD ByPass 1 hp 230 V, TYPE 12, Fuse, 3rd Contactor	4.2
VS001222A-L0000	VSD ByPass 1 hp 230 V, TYPE 12, LON	4.2
VS001222A-LP300	VSD ByPass 1 hp 230 V, TYPE 12, LON, Fuse	4.2
VS001222A-LP600	VSD ByPass 1 hp 230 V, TYPE 12, LON, 3rd Contactor	4.2
VS001222A-LP900	VSD ByPass 1 hp 230 V, TYPE 12, LON, Fuse, 3rd Contactor	4.2
VS001222A-N0000	VSD ByPass 1 hp 230 V, TYPE 12, N2/XT/SA Bus	4.2
VS001222A-NP300	VSD ByPass 1 hp 230 V, TYPE 12, N2/XT/SA Bus, Fuse	4.2
VS001222A-NP600	VSD ByPass 1 hp 230 V, TYPE 12, N2/XT/SA Bus, 3rd Contactor	4.2
VS001222A-NP900	VSD ByPass 1 hp 230 V, TYPE 12, N2/XT/SA Bus, Fuse, 3rd Contactor	4.2
VS001222A-B0000	VSD ByPass 1 hp 230 V, TYPE 12, MS/TP BACnet	4.2
VS001222A-BP300	VSD ByPass 1 hp 230 V, TYPE 12, MS/TP BACnet, Fuse	4.2
VS001222A-BP600	VSD ByPass 1 hp 230 V, TYPE 12, MS/TP BACnet, 3rd Contactor	4.2
VS001222A-BP900	VSD ByPass 1 hp 230 V, TYPE 12, MS/TP BACnet, Fuse, 3rd Contactor	4.2
VS001232A-00000	VSD ByPass 1 hp 230 V, TYPE 3R	4.2
VS001232A-0P300	VSD ByPass 1 hp 230 V, TYPE 3R, Fuse	4.2
VS001232A-0P3SA	VSD ByPass 1 hp 230 V, TYPE 3R, Fuse, Space Heater	4.2
VS001232A-0P600	VSD ByPass 1 hp 230 V, TYPE 3R, Fuse, Contactor	4.2
VS001232A-0P6SA	VSD ByPass 1 hp 230 V, TYPE 3R, Fuse, Contactor, Space Heater	4.2
VS001232A-0P900	VSD ByPass 1 hp 230 V, TYPE 3R, Fuse, 3rd Contactor	4.2
VS001232A-0P9SA	VSD ByPass 1 hp 230 V, TYPE 3R, Fuse, 3rd Contactor, Space Heater	4.2
VS001232A-L0000	VSD ByPass 1 hp 230 V, TYPE 3R, LON	4.2
VS001232A-LP300	VSD ByPass 1 hp 230 V, TYPE 3R, LON, Fuse	4.2
VS001232A-LP3SA	VSD ByPass 1 hp 230 V, TYPE 3R, LON, Fuse, Space Heater	4.2
VS001232A-LP600	VSD ByPass 1 hp 230 V, TYPE 3R, LON, 3rd Contactor	4.2
VS001232A-LP6SA	VSD ByPass 1 hp 230 V, TYPE 3R, LON, 3rd Contactor, Space Heater	4.2
VS001232A-LP900	VSD ByPass 1 hp 230 V, TYPE 3R, LON, Fuse, 3rd Contactor	4.2
VS001232A-LP9SA	VSD ByPass 1 hp 230 V, TYPE 3R, LON, Fuse, 3rd Contactor, Space Heater	4.2
VS001232A-N0000	VSD ByPass 1 hp 230 V, TYPE 3R, N2/XT/SA Bus	4.2
VS001232A-NP300	VSD ByPass 1 hp 230 V, TYPE 3R, N2/XT/SA Bus, Fuse	4.2
VS001232A-NP3SA	VSD ByPass 1 hp 230 V, TYPE 3R, N2/XT/SA Bus, Fuse, Space Heater	4.2
VS001232A-NP600	VSD ByPass 1 hp 230 V, TYPE 3R, N2/XT/SA Bus, 3rd Contactor	4.2
VS001232A-NP6SA	VSD ByPass 1 hp 230 V, TYPE 3R, N2/XT/SA Bus, 3rd Contactor, Space Heater	4.2
VS001232A-NP900	VSD ByPass 1 hp 230 V, TYPE 3R, N2/XT/SA Bus, Fuse, 3rd Contactor	4.2

Table 14: VSD Series 230 V Enclosed IntelliPass Drives - Frame 4 (Part 2 of 4)

Code Number	Description¹	Current (A)¹
VS001232A-NP9SA	VSD ByPass 1 hp 230 V, TYPE 3R, N2/XT/SA Bus, Fuse, 3rd Contactor, Space Heater	4.2
VS001232A-B0000	VSD ByPass 1 hp 230 V, TYPE 3R, MS/TP BACnet	4.2
VS001232A-BP300	VSD ByPass 1 hp 230 V, TYPE 3R, MS/TP BACnet, Fuse	4.2
VS001232A-BP3SA	VSD ByPass 1 hp 230 V, TYPE 3R, MS/TP BACnet, Fuse, Space Heater	4.2
VS001232A-BP600	VSD ByPass 1 hp 230 V, TYPE 3R, MS/TP BACnet, 3rd Contactor	4.2
VS001232A-BP6SA	VSD ByPass 1 hp 230 V, TYPE 3R, MS/TP BACnet, 3rd Contactor, Space Heater	4.2
VS001232A-BP900	VSD ByPass 1 hp 230 V, TYPE 3R, MS/TP BACnet, Fuse, 3rd Contactor	4.2
VS001232A-BP9SA	VSD ByPass 1 hp 230 V, TYPE 3R, MS/TP BACnet, Fuse, 3rd Contactor, Space Heater	4.2
VS002222A-00000	VSD ByPass 2 hp 230 V, TYPE 12	6.8
VS002222A-0P300	VSD ByPass 2 hp 230 V, TYPE 12, Fuse	6.8
VS002222A-0P600	VSD ByPass 2 hp 230 V, TYPE 12, 3rd Contactor	6.8
VS002222A-0P900	VSD ByPass 2 hp 230 V, TYPE 12, Fuse, 3rd Contactor	6.8
VS002222A-L0000	VSD ByPass 2 hp 230 V, TYPE 12, LON	6.8
VS002222A-LP300	VSD ByPass 2 hp 230 V, TYPE 12, LON, Fuse	6.8
VS002222A-LP600	VSD ByPass 2 hp 230 V, TYPE 12, LON, 3rd Contactor	6.8
VS002222A-LP900	VSD ByPass 2 hp 230 V, TYPE 12, LON, Fuse, 3rd Contactor	6.8
VS002222A-N0000	VSD ByPass 2 hp 230 V, TYPE 12, N2/XT/SA Bus	6.8
VS002222A-NP300	VSD ByPass 2 hp 230 V, TYPE 12, N2/XT/SA Bus, Fuse	6.8
VS002222A-NP600	VSD ByPass 2 hp 230 V, TYPE 12, N2/XT/SA Bus, 3rd Contactor	6.8
VS002222A-NP900	VSD ByPass 2 hp 230 V, TYPE 12, N2/XT/SA Bus, Fuse, 3rd Contactor	6.8
VS002222A-B0000	VSD ByPass 2 hp 230 V, TYPE 12, MS/TP BACnet	6.8
VS002222A-BP300	VSD ByPass 2 hp 230 V, TYPE 12, MS/TP BACnet, Fuse	6.8
VS002222A-BP600	VSD ByPass 2 hp 230 V, TYPE 12, MS/TP BACnet, 3rd Contactor	6.8
VS002222A-BP900	VSD ByPass 2 hp 230 V, TYPE 12, MS/TP BACnet, Fuse, 3rd Contactor	6.8
VS002232A-00000	VSD ByPass 2 hp 230 V, TYPE 3R	6.8
VS002232A-0P300	VSD ByPass 2 hp 230 V, TYPE 3R, Fuse	6.8
VS002232A-0P3SA	VSD ByPass 2 hp 230 V, TYPE 3R, Fuse, Space Heater	6.8
VS002232A-0P600	VSD ByPass 2 hp 230 V, TYPE 3R, Fuse, 3rd Contactor	6.8
VS002232A-0P6SA	VSD ByPass 2 hp 230 V, TYPE 3R, Fuse, 3rd Contactor, Space Heater	6.8
VS002232A-0P900	VSD ByPass 2 hp 230 V, TYPE 3R, Fuse, 3rd Contactor	6.8
VS002232A-0P9SA	VSD ByPass 2 hp 230 V, TYPE 3R, Fuse, 3rd Contactor, Space Heater	6.8
VS002232A-L0000	VSD ByPass 2 hp 230 V, TYPE 3R, LON	6.8
VS002232A-LP300	VSD ByPass 2 hp 230 V, TYPE 3R, LON, Fuse	6.8
VS002232A-LP3SA	VSD ByPass 2 hp 230 V, TYPE 3R, LON, Fuse, Space Heater	6.8
VS002232A-LP600	VSD ByPass 2 hp 230 V, TYPE 3R, LON, 3rd Contactor	6.8
VS002232A-LP6SA	VSD ByPass 2 hp 230 V, TYPE 3R, LON, 3rd Contactor, Space Heater	6.8

Table 14: VSD Series 230 V Enclosed IntelliPass Drives - Frame 4 (Part 3 of 4)

Code Number	Description¹	Current (A)¹
VS002232A-LP900	VSD ByPass 2 hp 230 V, TYPE 3R, LON, Fuse, 3rd Contactor	6.8
VS002232A-LP9SA	VSD ByPass 2 hp 230 V, TYPE 3R, LON, Fuse, 3rd Contactor, Space Heater	6.8
VS002232A-N0000	VSD ByPass 2 hp 230 V, TYPE 3R, N2/XT/SA Bus	6.8
VS002232A-NP300	VSD ByPass 2 hp 230 V, TYPE 3R, N2/XT/SA Bus, Fuse	6.8
VS002232A-NP3SA	VSD ByPass 2 hp 230 V, TYPE 3R, N2/XT/SA Bus, Fuse, Space Heater	6.8
VS002232A-NP600	VSD ByPass 2 hp 230 V, TYPE 3R, N2/XT/SA Bus, 3rd Contactor	6.8
VS002232A-NP6SA	VSD ByPass 2 hp 230 V, TYPE 3R, N2/XT/SA Bus, 3rd Contactor, Space Heater	6.8
VS002232A-NP900	VSD ByPass 2 hp 230 V, TYPE 3R, N2/XT/SA Bus, Fuse, 3rd Contactor	6.8
VS002232A-NP9SA	VSD ByPass 2 hp 230 V, TYPE 3R, N2/XT/SA Bus, Fuse, 3rd Contactor, Space Heater	6.8
VS002232A-B0000	VSD ByPass 2 hp 230 V, TYPE 3R, MS/TP BACnet	6.8
VS002232A-BP300	VSD ByPass 2 hp 230 V, TYPE 3R, MS/TP BACnet, Fuse	6.8
VS002232A-BP3SA	VSD ByPass 2 hp 230 V, TYPE 3R, MS/TP BACnet, Fuse, Space Heater	6.8
VS002232A-BP600	VSD ByPass 2 hp 230 V, TYPE 3R, MS/TP BACnet, 3rd Contactor	6.8
VS002232A-BP6SA	VSD ByPass 2 hp 230 V, TYPE 3R, MS/TP BACnet, 3rd Contactor, Space Heater	6.8
VS002232A-BP900	VSD ByPass 2 hp 230 V, TYPE 3R, MS/TP BACnet, Fuse, 3rd Contactor	6.8
VS002232A-BP9SA	VSD ByPass 2 hp 230 V, TYPE 3R, MS/TP BACnet, Fuse, 3rd Contactor, Space Heater	6.8
VS003222A-00000	VSD ByPass 3 hp 230 V, TYPE 12	9.6
VS003222A-0P300	VSD ByPass 3 hp 230 V, TYPE 12, Fuse	9.6
VS003222A-0P600	VSD ByPass 3 hp 230 V, TYPE 12, 3rd Contactor	9.6
VS003222A-0P900	VSD ByPass 3 hp 230 V, TYPE 12, Fuse, 3rd Contactor	9.6
VS003222A-L0000	VSD ByPass 3 hp 230 V, TYPE 12, LON	9.6
VS003222A-LP300	VSD ByPass 3 hp 230 V, TYPE 12, LON, Fuse	9.6
VS003222A-LP600	VSD ByPass 3 hp 230 V, TYPE 12, LON, 3rd Contactor	9.6
VS003222A-LP900	VSD ByPass 3 hp 230 V, TYPE 12, LON, Fuse, 3rd Contactor	9.6
VS003222A-N0000	VSD ByPass 3 hp 230 V, TYPE 12, N2/XT/SA Bus	9.6
VS003222A-NP300	VSD ByPass 3 hp 230 V, TYPE 12, N2/XT/SA Bus, Fuse	9.6
VS003222A-NP600	VSD ByPass 3 hp 230 V, TYPE 12, N2/XT/SA Bus, 3rd Contactor	9.6
VS003222A-NP900	VSD ByPass 3 hp 230 V, TYPE 12, N2/XT/SA Bus, Fuse, 3rd Contactor	9.6
VS003222A-B0000	VSD ByPass 3 hp 230 V, TYPE 12, MS/TP BACnet	9.6
VS003222A-BP300	VSD ByPass 3 hp 230 V, TYPE 12, MS/TP BACnet, Fuse	9.6
VS003222A-BP600	VSD ByPass 3 hp 230 V, TYPE 12, MS/TP BACnet, 3rd Contactor	9.6
VS003222A-BP900	VSD ByPass 3 hp 230 V, TYPE 12, MS/TP BACnet, Fuse, 3rd Contactor	9.6
VS003232A-00000	VSD ByPass 3 hp 230 V, TYPE 3R	9.6
VS003232A-0P300	VSD ByPass 3 hp 230 V, TYPE 3R, Fuse	9.6

Table 14: VSD Series 230 V Enclosed IntelliPass Drives - Frame 4 (Part 4 of 4)

Code Number	Description¹	Current (A)¹
VS003232A-0P3SA	VSD ByPass 3 hp 230 V, TYPE 3R, Fuse, Space Heater	9.6
VS003232A-0P600	VSD ByPass 3 hp 230 V, TYPE 3R, Fuse, 3rd Contactor	9.6
VS003232A-0P6SA	VSD ByPass 3 hp 230 V, TYPE 3R, Fuse, 3rd Contactor, Space Heater	9.6
VS003232A-0P900	VSD ByPass 3 hp 230 V, TYPE 3R, Fuse, 3rd Contactor	9.6
VS003232A-0P9SA	VSD ByPass 3 hp 230 V, TYPE 3R, Fuse, 3rd Contactor, Space Heater	9.6
VS003232A-L0000	VSD ByPass 3 hp 230 V, TYPE 3R, LON	9.6
VS003232A-LP300	VSD ByPass 3 hp 230 V, TYPE 3R, LON, Fuse	9.6
VS003232A-LP3SA	VSD ByPass 3 hp 230 V, TYPE 3R, LON, Fuse, Space Heater	9.6
VS003232A-LP600	VSD ByPass 3 hp 230 V, TYPE 3R, LON, 3rd Contactor	9.6
VS003232A-LP6SA	VSD ByPass 3 hp 230 V, TYPE 3R, LON, 3rd Contactor, Space Heater	9.6
VS003232A-LP900	VSD ByPass 3 hp 230 V, TYPE 3R, LON, Fuse, 3rd Contactor	9.6
VS003232A-LP9SA	VSD ByPass 3 hp 230 V, TYPE 3R, LON, Fuse, 3rd Contactor, Space Heater	9.6
VS003232A-N0000	VSD ByPass 3 hp 230 V, TYPE 3R, N2/XT/SA Bus	9.6
VS003232A-NP300	VSD ByPass 3 hp 230 V, TYPE 3R, N2/XT/SA Bus, Fuse	9.6
VS003232A-NP3SA	VSD ByPass 3 hp 230 V, TYPE 3R, N2/XT/SA Bus, Fuse, Space Heater	9.6
VS003232A-NP600	VSD ByPass 3 hp 230 V, TYPE 3R, N2/XT/SA Bus, 3rd Contactor	9.6
VS003232A-NP6SA	VSD ByPass 3 hp 230 V, TYPE 3R, N2/XT/SA Bus, 3rd Contactor, Space Heater	9.6
VS003232A-NP900	VSD ByPass 3 hp 230 V, TYPE 3R, N2/XT/SA Bus, Fuse, 3rd Contactor	9.6
VS003232A-NP9SA	VSD ByPass 3 hp 230 V, TYPE 3R, N2/XT/SA Bus, Fuse, 3rd Contactor, Space Heater	9.6
VS003232A-B0000	VSD ByPass 3 hp 230 V, TYPE 3R, MS/TP BACnet	9.6
VS003232A-BP300	VSD ByPass 3 hp 230 V, TYPE 3R, MS/TP BACnet, Fuse	9.6
VS003232A-BP3SA	VSD ByPass 3 hp 230 V, TYPE 3R, MS/TP BACnet, Fuse, Space Heater	9.6
VS003232A-BP600	VSD ByPass 3 hp 230 V, TYPE 3R, MS/TP BACnet, 3rd Contactor	9.6
VS003232A-BP6SA	VSD ByPass 3 hp 230 V, TYPE 3R, MS/TP BACnet, 3rd Contactor, Space Heater	9.6
VS003232A-BP900	VSD ByPass 3 hp 230 V, TYPE 3R, MS/TP BACnet, Fuse, 3rd Contactor	9.6
VS003232A-BP9SA	VSD ByPass 3 hp 230 V, TYPE 3R, MS/TP BACnet, Fuse, 3rd Contactor, Space Heater	9.6

1. All horsepower and current ratings are Variable Torque (VT).

Table 15: VSD Series 230 V Enclosed IntelliPass Drives - Frame 5 (Part 1 of 4)

Code Number	Description¹	Current (A)¹
VS005222A-00000	VSD ByPass 5 hp 230 V, TYPE 12	15.2
VS005222A-0P300	VSD ByPass 5 hp 230 V, TYPE 12, Fuse	15.2
VS005222A-0P600	VSD ByPass 5 hp 230 V, TYPE 12, 3rd Contactor	15.2
VS005222A-0P900	VSD ByPass 5 hp 230 V, TYPE 12, Fuse, 3rd Contactor	15.2
VS005222A-L0000	VSD ByPass 5 hp 230 V, TYPE 12, LON	15.2
VS005222A-LP300	VSD ByPass 5 hp 230 V, TYPE 12, LON, Fuse	15.2
VS005222A-LP600	VSD ByPass 5 hp 230 V, TYPE 12, LON, 3rd Contactor	15.2
VS005222A-LP900	VSD ByPass 5 hp 230 V, TYPE 12, LON, Fuse, 3rd Contactor	15.2
VS005222A-N0000	VSD ByPass 5 hp 230 V, TYPE 12, N2/XT/SA Bus	15.2
VS005222A-NP300	VSD ByPass 5 hp 230 V, TYPE 12, N2/XT/SA Bus, Fuse	15.2
VS005222A-NP600	VSD ByPass 5 hp 230 V, TYPE 12, N2/XT/SA Bus, 3rd Contactor	15.2
VS005222A-NP900	VSD ByPass 5 hp 230 V, TYPE 12, N2/XT/SA Bus, Fuse, 3rd Contactor	15.2
VS005222A-B0000	VSD ByPass 5 hp 230 V, TYPE 12, MS/TP BACnet	15.2
VS005222A-BP300	VSD ByPass 5 hp 230 V, TYPE 12, MS/TP BACnet, Fuse	15.2
VS005222A-BP600	VSD ByPass 5 hp 230 V, TYPE 12, MS/TP BACnet, 3rd Contactor	15.2
VS005222A-BP900	VSD ByPass 5 hp 230 V, TYPE 12, MS/TP BACnet, Fuse, 3rd Contactor	15.2
VS005232A-00000	VSD ByPass 5 hp 230 V, TYPE 3R	15.2
VS005232A-0P300	VSD ByPass 5 hp 230 V, TYPE 3R, Fuse	15.2
VS005232A-0P3SA	VSD ByPass 5 hp 230 V, TYPE 3R, Fuse, Space Heater	15.2
VS005232A-0P600	VSD ByPass 5 hp 230 V, TYPE 3R, Fuse, 3rd Contactor	15.2
VS005232A-0P6SA	VSD ByPass 5 hp 230 V, TYPE 3R, Fuse, 3rd Contactor, Space Heater	15.2
VS005232A-0P900	VSD ByPass 5 hp 230 V, TYPE 3R, Fuse, 3rd Contactor	15.2
VS005232A-0P9SA	VSD ByPass 5 hp 230 V, TYPE 3R, Fuse, 3rd Contactor, Space Heater	15.2
VS005232A-L0000	VSD ByPass 5 hp 230 V, TYPE 3R, LON	15.2
VS005232A-LP300	VSD ByPass 5 hp 230 V, TYPE 3R, LON, Fuse	15.2
VS005232A-LP3SA	VSD ByPass 5 hp 230 V, TYPE 3R, LON, Fuse, Space Heater	15.2
VS005232A-LP600	VSD ByPass 5 hp 230 V, TYPE 3R, LON, 3rd Contactor	15.2
VS005232A-LP6SA	VSD ByPass 5 hp 230 V, TYPE 3R, LON, 3rd Contactor, Space Heater	15.2
VS005232A-LP900	VSD ByPass 5 hp 230 V, TYPE 3R, LON, Fuse, 3rd Contactor	15.2
VS005232A-LP9SA	VSD ByPass 5 hp 230 V, TYPE 3R, LON, Fuse, 3rd Contactor, Space Heater	15.2
VS005232A-N0000	VSD ByPass 5 hp 230 V, TYPE 3R, N2/XT/SA Bus	15.2
VS005232A-NP300	VSD ByPass 5 hp 230 V, TYPE 3R, N2/XT/SA Bus, Fuse	15.2
VS005232A-NP3SA	VSD ByPass 5 hp 230 V, TYPE 3R, N2/XT/SA Bus, Fuse, Space Heater	15.2
VS005232A-NP600	VSD ByPass 5 hp 230 V, TYPE 3R, N2/XT/SA Bus, 3rd Contactor	15.2
VS005232A-NP6SA	VSD ByPass 5 hp 230 V, TYPE 3R, N2/XT/SA Bus, 3rd Contactor, Space Heater	15.2
VS005232A-NP900	VSD ByPass 5 hp 230 V, TYPE 3R, N2/XT/SA Bus, Fuse, 3rd Contactor	15.2

Table 15: VSD Series 230 V Enclosed IntelliPass Drives - Frame 5 (Part 2 of 4)

Code Number	Description ¹	Current (A) ¹
VS005232A-NP9SA	VSD ByPass 5 hp 230 V, TYPE 3R, N2/XT/SA Bus, Fuse, 3rd Contactor, Space Heater	15.2
VS005232A-B0000	VSD ByPass 5 hp 230 V, TYPE 3R, MS/TP BACnet	15.2
VS005232A-BP300	VSD ByPass 5 hp 230 V, TYPE 3R, MS/TP BACnet, Fuse	15.2
VS005232A-BP3SA	VSD ByPass 5 hp 230 V, TYPE 3R, MS/TP BACnet, Fuse, Space Heater	15.2
VS005232A-BP600	VSD ByPass 5 hp 230 V, TYPE 3R, MS/TP BACnet, 3rd Contactor	15.2
VS005232A-BP6SA	VSD ByPass 5 hp 230 V, TYPE 3R, MS/TP BACnet, 3rd Contactor, Space Heater	15.2
VS005232A-BP900	VSD ByPass 5 hp 230 V, TYPE 3R, MS/TP BACnet, Fuse, 3rd Contactor	15.2
VS005232A-BP9SA	VSD ByPass 5 hp 230 V, TYPE 3R, MS/TP BACnet, Fuse, 3rd Contactor, Space Heater	15.2
VS007222A-00000	VSD ByPass 7-1/2 hp 230 V, TYPE 12	22
VS007222A-0P300	VSD ByPass 7-1/2 hp 230 V, TYPE 12, Fuse	22
VS007222A-0P600	VSD ByPass 7-1/2 hp 230 V, TYPE 12, 3rd Contactor	22
VS007222A-0P900	VSD ByPass 7-1/2 hp 230 V, TYPE 12, Fuse, 3rd Contactor	22
VS007222A-L0000	VSD ByPass 7-1/2 hp 230 V, TYPE 12, LON	22
VS007222A-LP300	VSD ByPass 7-1/2 hp 230 V, TYPE 12, LON, Fuse	22
VS007222A-LP600	VSD ByPass 7-1/2 hp 230 V, TYPE 12, LON, 3rd Contactor	22
VS007222A-LP900	VSD ByPass 7-1/2 hp 230 V, TYPE 12, LON, Fuse, 3rd Contactor	22
VS007222A-N0000	VSD ByPass 7-1/2 hp 230 V, TYPE 12, N2/XT/SA Bus	22
VS007222A-NP300	VSD ByPass 7-1/2 hp 230 V, TYPE 12, N2/XT/SA Bus, Fuse	22
VS007222A-NP600	VSD ByPass 7-1/2 hp 230 V, TYPE 12, N2/XT/SA Bus, 3rd Contactor	22
VS007222A-NP900	VSD ByPass 7-1/2 hp 230 V, TYPE 12, N2/XT/SA Bus, Fuse, 3rd Contactor	22
VS007222A-B0000	VSD ByPass 7-1/2 hp 230 V, TYPE 12, MS/TP BACnet	22
VS007222A-BP300	VSD ByPass 7-1/2 hp 230 V, TYPE 12, MS/TP BACnet, Fuse	22
VS007222A-BP600	VSD ByPass 7-1/2 hp 230 V, TYPE 12, MS/TP BACnet, 3rd Contactor	22
VS007222A-BP900	VSD ByPass 7-1/2 hp 230 V, TYPE 12, MS/TP BACnet, Fuse, 3rd Contactor	22
VS007232A-00000	VSD ByPass 7-1/2 hp 230 V, TYPE 3R	22
VS007232A-0P300	VSD ByPass 7-1/2 hp 230 V, TYPE 3R, Fuse	22
VS007232A-0P3SA	VSD ByPass 7-1/2 hp 230 V, TYPE 3R, Fuse, Space Heater	22
VS007232A-0P600	VSD ByPass 7-1/2 hp 230 V, TYPE 3R, Fuse, 3rd Contactor	22
VS007232A-0P6SA	VSD ByPass 7-1/2 hp 230 V, TYPE 3R, Fuse, 3rd Contactor, Space Heater	22
VS007232A-0P900	VSD ByPass 7-1/2 hp 230 V, TYPE 3R, Fuse, 3rd Contactor	22
VS007232A-0P9SA	VSD ByPass 7-1/2 hp 230 V, TYPE 3R, Fuse, 3rd Contactor, Space Heater	22
VS007232A-L0000	VSD ByPass 7-1/2 hp 230 V, TYPE 3R, LON	22
VS007232A-LP300	VSD ByPass 7-1/2 hp 230 V, TYPE 3R, LON, Fuse	22
VS007232A-LP3SA	VSD ByPass 7-1/2 hp 230 V, TYPE 3R, LON, Fuse, Space Heater	22

Table 15: VSD Series 230 V Enclosed IntelliPass Drives - Frame 5 (Part 3 of 4)

Code Number	Description¹	Current (A)¹
VS007232A-LP600	VSD ByPass 7-1/2 hp 230 V, TYPE 3R, LON, 3rd Contactor	22
VS007232A-LP6SA	VSD ByPass 7-1/2 hp 230 V, TYPE 3R, LON, 3rd Contactor, Space Heater	22
VS007232A-LP900	VSD ByPass 2 hp 230 V, TYPE 3R, LON, Fuse, 3rd Contactor	22
VS007232A-LP9SA	VSD ByPass 2 hp 230 V, TYPE 3R, LON, Fuse, 3rd Contactor, Space Heater	22
VS007232A-N0000	VSD ByPass 2 hp 230 V, TYPE 3R, N2/XT/SA Bus	22
VS007232A-NP300	VSD ByPass 2 hp 230 V, TYPE 3R, N2/XT/SA Bus, Fuse	22
VS007232A-NP3SA	VSD ByPass 2 hp 230 V, TYPE 3R, N2/XT/SA Bus, Fuse, Space Heater	22
VS007232A-NP600	VSD ByPass 2 hp 230 V, TYPE 3R, N2/XT/SA Bus, 3rd Contactor	22
VS007232A-NP6SA	VSD ByPass 2 hp 230 V, TYPE 3R, N2/XT/SA Bus, 3rd Contactor, Space Heater	22
VS007232A-NP900	VSD ByPass 2 hp 230 V, TYPE 3R, N2/XT/SA Bus, Fuse, 3rd Contactor	22
VS007232A-NP9SA	VSD ByPass 2 hp 230 V, TYPE 3R, N2/XT/SA Bus, Fuse, 3rd Contactor, Space Heater	22
VS007232A-B0000	VSD ByPass 2 hp 230 V, TYPE 3R, MS/TP BACnet	22
VS007232A-BP300	VSD ByPass 2 hp 230 V, TYPE 3R, MS/TP BACnet, Fuse	22
VS007232A-BP3SA	VSD ByPass 2 hp 230 V, TYPE 3R, MS/TP BACnet, Fuse, Space Heater	22
VS007232A-BP600	VSD ByPass 2 hp 230 V, TYPE 3R, MS/TP BACnet, 3rd Contactor	22
VS007232A-BP6SA	VSD ByPass 2 hp 230 V, TYPE 3R, MS/TP BACnet, 3rd Contactor, Space Heater	22
VS007232A-BP900	VSD ByPass 2 hp 230 V, TYPE 3R, MS/TP BACnet, Fuse, 3rd Contactor	22
VS007232A-BP9SA	VSD ByPass 2 hp 230 V, TYPE 3R, MS/TP BACnet, Fuse, 3rd Contactor, Space Heater	22
VS010222A-00000	VSD ByPass 10 hp 230 V, TYPE 12	28
VS010222A-0P300	VSD ByPass 10 hp 230 V, TYPE 12, Fuse	28
VS010222A-0P600	VSD ByPass 10 hp 230 V, TYPE 12, 3rd Contactor	28
VS010222A-0P900	VSD ByPass 10 hp 230 V, TYPE 12, Fuse, 3rd Contactor	28
VS010222A-L0000	VSD ByPass 10 hp 230 V, TYPE 12, LON	28
VS010222A-LP300	VSD ByPass 10 hp 230 V, TYPE 12, LON, Fuse	28
VS010222A-LP600	VSD ByPass 10 hp 230 V, TYPE 12, LON, 3rd Contactor	28
VS010222A-LP900	VSD ByPass 10 hp 230 V, TYPE 12, LON, Fuse, 3rd Contactor	28
VS010222A-N0000	VSD ByPass 10 hp 230 V, TYPE 12, N2/XT/SA Bus	28
VS010222A-NP300	VSD ByPass 10 hp 230 V, TYPE 12, N2/XT/SA Bus, Fuse	28
VS010222A-NP600	VSD ByPass 10 hp 230 V, TYPE 12, N2/XT/SA Bus, 3rd Contactor	28
VS010222A-NP900	VSD ByPass 10 hp 230 V, TYPE 12, N2/XT/SA Bus, Fuse, 3rd Contactor	28
VS010222A-B0000	VSD ByPass 10 hp 230 V, TYPE 12, MS/TP BACnet	28
VS010222A-BP300	VSD ByPass 10 hp 230 V, TYPE 12, MS/TP BACnet, Fuse	28
VS010222A-BP600	VSD ByPass 10 hp 230 V, TYPE 12, MS/TP BACnet, 3rd Contactor	28

Table 15: VSD Series 230 V Enclosed IntelliPass Drives - Frame 5 (Part 4 of 4)

Code Number	Description ¹	Current (A) ¹
VS010222A-BP900	VSD ByPass 10 hp 230 V, TYPE 12, MS/TP BACnet, Fuse, 3rd Contactor	28
VS010232A-00000	VSD ByPass 10 hp 230 V, TYPE 3R	28
VS010232A-0P300	VSD ByPass 10 hp 230 V, TYPE 3R, Fuse	28
VS010232A-0P3SA	VSD ByPass 10 hp 230 V, TYPE 3R, Fuse, Space Heater	28
VS010232A-0P600	VSD ByPass 10 hp 230 V, TYPE 3R, Fuse, 3rd Contactor	28
VS010232A-0P6SA	VSD ByPass 10 hp 230 V, TYPE 3R, Fuse, 3rd Contactor, Space Heater	28
VS010232A-0P900	VSD ByPass 10 hp 230 V, TYPE 3R, Fuse, 3rd Contactor	28
VS010232A-0P9SA	VSD ByPass 10 hp 230 V, TYPE 3R, Fuse, 3rd Contactor, Space Heater	28
VS010232A-L0000	VSD ByPass 10 hp 230 V, TYPE 3R, LON	28
VS010232A-LP300	VSD ByPass 10 hp 230 V, TYPE 3R, LON, Fuse	28
VS010232A-LP3SA	VSD ByPass 10 hp 230 V, TYPE 3R, LON, Fuse, Space Heater	28
VS010232A-LP600	VSD ByPass 10 hp 230 V, TYPE 3R, LON, 3rd Contactor	28
VS010232A-LP6SA	VSD ByPass 10 hp 230 V, TYPE 3R, LON, 3rd Contactor, Space Heater	28
VS010232A-LP900	VSD ByPass 10 hp 230 V, TYPE 3R, LON, Fuse, 3rd Contactor	28
VS010232A-LP9SA	VSD ByPass 10 hp 230 V, TYPE 3R, LON, Fuse, 3rd Contactor, Space Heater	28
VS010232A-N0000	VSD ByPass 10 hp 230 V, TYPE 3R, N2/XT/SA Bus	28
VS010232A-NP300	VSD ByPass 10 hp 230 V, TYPE 3R, N2/XT/SA Bus, Fuse	28
VS010232A-NP3SA	VSD ByPass 10 hp 230 V, TYPE 3R, N2/XT/SA Bus, Fuse, Space Heater	28
VS010232A-NP600	VSD ByPass 10 hp 230 V, TYPE 3R, N2/XT/SA Bus, 3rd Contactor	28
VS010232A-NP6SA	VSD ByPass 10 hp 230 V, TYPE 3R, N2/XT/SA Bus, 3rd Contactor, Space Heater	28
VS010232A-NP900	VSD ByPass 10 hp 230 V, TYPE 3R, N2/XT/SA Bus, Fuse, 3rd Contactor	28
VS010232A-NP9SA	VSD ByPass 10 hp 230 V, TYPE 3R, N2/XT/SA Bus, Fuse, 3rd Contactor, Space Heater	28
VS010232A-B0000	VSD ByPass 10 hp 230 V, TYPE 3R, MS/TP BACnet	28
VS010232A-BP300	VSD ByPass 10 hp 230 V, TYPE 3R, MS/TP BACnet, Fuse	28
VS010232A-BP3SA	VSD ByPass 10 hp 230 V, TYPE 3R, MS/TP BACnet, Fuse, Space Heater	28
VS010232A-BP600	VSD ByPass 10 hp 230 V, TYPE 3R, MS/TP BACnet, 3rd Contactor	28
VS010232A-BP6SA	VSD ByPass 10 hp 230 V, TYPE 3R, MS/TP BACnet, 3rd Contactor, Space Heater	28
VS010232A-BP900	VSD ByPass 10 hp 230 V, TYPE 3R, MS/TP BACnet, Fuse, 3rd Contactor	28
VS010232A-BP9SA	VSD ByPass 10 hp 230 V, TYPE 3R, MS/TP BACnet, Fuse, 3rd Contactor, Space Heater	28

1. All horsepower and current ratings are Variable Torque (VT).

Table 16: VSD Series 230 V Enclosed IntelliPass Drives - Frame 6 (Part 1 of 3)

Code Number	Description¹	Current (A)¹
VS015222A-00000	VSD ByPass 15 hp 230 V, TYPE 12	42
VS015222A-0P300	VSD ByPass 15 hp 230 V, TYPE 12, Fuse	42
VS015222A-0P600	VSD ByPass 15 hp 230 V, TYPE 12, 3rd Contactor	42
VS015222A-0P900	VSD ByPass 15 hp 230 V, TYPE 12, Fuse, 3rd Contactor	42
VS015222A-L0000	VSD ByPass 15 hp 230 V, TYPE 12, LON	42
VS015222A-LP300	VSD ByPass 15 hp 230 V, TYPE 12, LON, Fuse	42
VS015222A-LP600	VSD ByPass 15 hp 230 V, TYPE 12, LON, 3rd Contactor	42
VS015222A-LP900	VSD ByPass 15 hp 230 V, TYPE 12, LON, Fuse, 3rd Contactor	42
VS015222A-N0000	VSD ByPass 15 hp 230 V, TYPE 12, N2/XT/SA Bus	42
VS015222A-NP300	VSD ByPass 15 hp 230 V, TYPE 12, N2/XT/SA Bus, Fuse	42
VS015222A-NP600	VSD ByPass 15 hp 230 V, TYPE 12, N2/XT/SA Bus, 3rd Contactor	42
VS015222A-NP900	VSD ByPass 15 hp 230 V, TYPE 12, N2/XT/SA Bus, Fuse, 3rd Contactor	42
VS015222A-B0000	VSD ByPass 15 hp 230 V, TYPE 12, MS/TP BACnet	42
VS015222A-BP300	VSD ByPass 15 hp 230 V, TYPE 12, MS/TP BACnet, Fuse	42
VS015222A-BP600	VSD ByPass 15 hp 230 V, TYPE 12, MS/TP BACnet, 3rd Contactor	42
VS015222A-BP900	VSD ByPass 15 hp 230 V, TYPE 12, MS/TP BACnet, Fuse, 3rd Contactor	42
VS015232A-00000	VSD ByPass 15 hp 230 V, TYPE 3R	42
VS015232A-0P300	VSD ByPass 15 hp 230 V, TYPE 3R, Fuse	42
VS015232A-0P3SA	VSD ByPass 15 hp 230 V, TYPE 3R, Fuse, Space Heater	42
VS015232A-0P600	VSD ByPass 15 hp 230 V, TYPE 3R, Fuse, 3rd Contactor	42
VS015232A-0P6SA	VSD ByPass 15 hp 230 V, TYPE 3R, Fuse, 3rd Contactor, Space Heater	42
VS015232A-0P900	VSD ByPass 15 hp 230 V, TYPE 3R, Fuse, 3rd Contactor	42
VS015232A-0P9SA	VSD ByPass 15 hp 230 V, TYPE 3R, Fuse, 3rd Contactor, Space Heater	42
VS015232A-L0000	VSD ByPass 15 hp 230 V, TYPE 3R, LON	42
VS015232A-LP300	VSD ByPass 15 hp 230 V, TYPE 3R, LON, Fuse	42
VS015232A-LP3SA	VSD ByPass 15 hp 230 V, TYPE 3R, LON, Fuse, Space Heater	42
VS005232A-LP600	VSD ByPass 15 hp 230 V, TYPE 3R, LON, 3rd Contactor	42
VS015232A-LP6SA	VSD ByPass 15 hp 230 V, TYPE 3R, LON, 3rd Contactor, Space Heater	42
VS015232A-LP900	VSD ByPass 15 hp 230 V, TYPE 3R, LON, Fuse, 3rd Contactor	42
VS015232A-LP9SA	VSD ByPass 15 hp 230 V, TYPE 3R, LON, Fuse, 3rd Contactor, Space Heater	42
VS015232A-N0000	VSD ByPass 15 hp 230 V, TYPE 3R, N2/XT/SA Bus	42
VS015232A-NP300	VSD ByPass 15 hp 230 V, TYPE 3R, N2/XT/SA Bus, Fuse	42
VS015232A-NP3SA	VSD ByPass 15 hp 230 V, TYPE 3R, N2/XT/SA Bus, Fuse, Space Heater	42
VS015232A-NP600	VSD ByPass 15 hp 230 V, TYPE 3R, N2/XT/SA Bus, 3rd Contactor	42

Table 16: VSD Series 230 V Enclosed IntelliPass Drives - Frame 6 (Part 2 of 3)

Code Number	Description¹	Current (A)¹
VS015232A-NP6SA	VSD ByPass 15 hp 230 V, TYPE 3R, N2/XT/SA Bus, 3rd Contactor, Space Heater	42
VS015232A-NP900	VSD ByPass 15 hp 230 V, TYPE 3R, N2/XT/SA Bus, Fuse, 3rd Contactor	42
VS015232A-NP9SA	VSD ByPass 15 hp 230 V, TYPE 3R, N2/XT/SA Bus, Fuse, 3rd Contactor, Space Heater	42
VS015232A-B0000	VSD ByPass 15 hp 230 V, TYPE 3R, MS/TP BACnet	42
VS015232A-BP300	VSD ByPass 15 hp 230 V, TYPE 3R, MS/TP BACnet, Fuse	42
VS015232A-BP3SA	VSD ByPass 15 hp 230 V, TYPE 3R, MS/TP BACnet, Fuse, Space Heater	42
VS015232A-BP600	VSD ByPass 15 hp 230 V, TYPE 3R, MS/TP BACnet, 3rd Contactor	42
VS015232A-BP6SA	VSD ByPass 15 hp 230 V, TYPE 3R, MS/TP BACnet, 3rd Contactor, Space Heater	42
VS015232A-BP900	VSD ByPass 15 hp 230 V, TYPE 3R, MS/TP BACnet, Fuse, 3rd Contactor	42
VS015232A-BP9SA	VSD ByPass 5 hp 230 V, TYPE 3R, MS/TP BACnet, Fuse, 3rd Contactor, Space Heater	42
VS020222A-00000	VSD ByPass 20 hp 230 V, TYPE 12	54
VS020222A-0P300	VSD ByPass 20 hp 230 V, TYPE 12, Fuse	54
VS020222A-0P600	VSD ByPass 20 hp 230 V, TYPE 12, 3rd Contactor	54
VS020222A-0P900	VSD ByPass 20 hp 230 V, TYPE 12, Fuse, 3rd Contactor	54
VS020222A-L0000	VSD ByPass 20 hp 230 V, TYPE 12, LON	54
VS020222A-LP300	VSD ByPass 20 hp 230 V, TYPE 12, LON, Fuse	54
VS020222A-LP600	VSD ByPass 20 hp 230 V, TYPE 12, LON, 3rd Contactor	54
VS020222A-LP900	VSD ByPass 20 hp 230 V, TYPE 12, LON, Fuse, 3rd Contactor	54
VS020222A-N0000	VSD ByPass 20 hp 230 V, TYPE 12, N2/XT/SA Bus	54
VS020222A-NP300	VSD ByPass 20 hp 230 V, TYPE 12, N2/XT/SA Bus, Fuse	54
VS020222A-NP600	VSD ByPass 20 hp 230 V, TYPE 12, N2/XT/SA Bus, 3rd Contactor	54
VS020222A-NP900	VSD ByPass 20 hp 230 V, TYPE 12, N2/XT/SA Bus, Fuse, 3rd Contactor	54
VS020222A-B0000	VSD ByPass 20 hp 230 V, TYPE 12, MS/TP BACnet	54
VS020222A-BP300	VSD ByPass 20 hp 230 V, TYPE 12, MS/TP BACnet, Fuse	54
VS020222A-BP600	VSD ByPass 20 hp 230 V, TYPE 12, MS/TP BACnet, 3rd Contactor	54
VS020222A-BP900	VSD ByPass 20 hp 230 V, TYPE 12, MS/TP BACnet, Fuse, 3rd Contactor	54
VS020232A-00000	VSD ByPass 20 hp 230 V, TYPE 3R	54
VS020232A-0P300	VSD ByPass 20 hp 230 V, TYPE 3R, Fuse	54
VS020232A-0P3SA	VSD ByPass 20 hp 230 V, TYPE 3R, Fuse, Space Heater	54
VS020232A-0P600	VSD ByPass 20 hp 230 V, TYPE 3R, Fuse, 3rd Contactor	54
VS020232A-0P6SA	VSD ByPass 20 hp 230 V, TYPE 3R, Fuse, 3rd Contactor, Space Heater	54
VS020232A-0P900	VSD ByPass 20 hp 230 V, TYPE 3R, Fuse, 3rd Contactor	54
VS020232A-0P9SA	VSD ByPass 20 hp 230 V, TYPE 3R, Fuse, 3rd Contactor, Space Heater	54

Table 16: VSD Series 230 V Enclosed IntelliPass Drives - Frame 6 (Part 3 of 3)

Code Number	Description ¹	Current (A) ¹
VS020232A-L0000	VSD ByPass 20 hp 230 V TYPE 3R, LON	54
VS020232A-LP300	VSD ByPass 20 hp 230 V TYPE 3R, LON, Fuse	54
VS020232A-LP3SA	VSD ByPass 20 hp 230 V TYPE 3R, LON, Fuse, Space Heater	54
VS020232A-LP600	VSD ByPass 20 hp 230 V TYPE 3R, LON, 3rd Contactor	54
VS020232A-LP6SA	VSD ByPass 20 hp 230 V TYPE 3R, LON, 3rd Contactor, Space Heater	54
VS020232A-LP900	VSD ByPass 20 hp 230 V TYPE 3R, LON, Fuse, 3rd Contactor	54
VS020232A-LP9SA	VSD ByPass 20 hp 230 V TYPE 3R, LON, Fuse, 3rd Contactor, Space Heater	54
VS020232A-N0000	VSD ByPass 20 hp 230 V TYPE 3R, N2/XT/SA Bus	54
VS020232A-NP300	VSD ByPass 20 hp 230 V, TYPE 3R, N2/XT/SA Bus, Fuse	54
VS020232A-NP3SA	VSD ByPass 20 hp 230 V, TYPE 3R, N2/XT/SA Bus, Fuse, Space Heater	54
VS020232A-NP600	VSD ByPass 20 hp 230 V, TYPE 3R, N2/XT/SA Bus, 3rd Contactor	54
VS020232A-NP6SA	VSD ByPass 20 hp 230 V, TYPE 3R, N2/XT/SA Bus, 3rd Contactor, Space Heater	54
VS020232A-NP900	VSD ByPass 20 hp 230 V, TYPE 3R, N2/XT/SA Bus, Fuse, 3rd Contactor	54
VS020232A-NP9SA	VSD ByPass 20 hp 230 V, TYPE 3R, N2/XT/SA Bus, Fuse, 3rd Contactor, Space Heater	54
VS020232A-B0000	VSD ByPass 20 hp 230 V, TYPE 3R, MS/TP BACnet	54
VS020232A-BP300	VSD ByPass 20 hp 230 V, TYPE 3R, MS/TP BACnet, Fuse	54
VS020232A-BP3SA	VSD ByPass 20 hp 230 V, TYPE 3R, MS/TP BACnet, Fuse, Space Heater	54
VS020232A-BP600	VSD ByPass 20 hp 230 V, TYPE 3R, MS/TP BACnet, 3rd Contactor	54
VS020232A-BP6SA	VSD ByPass 20 hp 230 V, TYPE 3R, MS/TP BACnet, 3rd Contactor, Space Heater	54
VS020232A-BP900	VSD ByPass 20 hp 230 V, TYPE 3R, MS/TP BACnet, Fuse, 3rd Contactor	54
VS020232A-BP9SA	VSD ByPass 20 hp 230 V, TYPE 3R, MS/TP BACnet, Fuse, 3rd Contactor, Space Heater	54

1. All horsepower and current ratings are Variable Torque (VT).

Table 17: VSD Series 230 V Enclosed IntelliPass Drives - Frame 7 (Part 1 of 2)

Code Number	Description ¹	Current (A) ¹
VS025222A-00000	VSD ByPass 25 hp 230 V, TYPE 12	68
VS025222A-0P600	VSD ByPass 25 hp 230 V, TYPE 12, 3rd Contactor	68
VS025222A-L0000	VSD ByPass 25 hp 230 V, TYPE 12, LON	68
VS025222A-LP600	VSD ByPass 25 hp 230 V, TYPE 12, LON, 3rd Contactor	68
VS025222A-N0000	VSD ByPass 25 hp 230 V, TYPE 12, N2/XT/SA Bus	68
VS025222A-NP600	VSD ByPass 25 hp 230 V, TYPE 12, N2/XT/SA Bus, 3rd Contactor	68
VS025222A-B0000	VSD ByPass 25 hp 230 V, TYPE 12, MS/TP BACnet	68
VS025222A-BP600	VSD ByPass 25 hp 230 V, TYPE 12, MS/TP BACnet, 3rd Contactor	68

Table 17: VSD Series 230 V Enclosed IntelliPass Drives - Frame 7 (Part 2 of 2)

Code Number	Description ¹	Current (A) ¹
VS025232A-00000	VSD ByPass 25 hp 230 V, TYPE 3R	68
VS025232A-0P600	VSD ByPass 25 hp 230 V, TYPE 3R, 3rd Contactor	68
VS025232A-0P6SA	VSD ByPass 25 hp 230 V, TYPE 3R, 3rd Contactor, Space Heater	68
VS025232A-L0000	VSD ByPass 25 hp 230 V, TYPE 3R, LON	68
VS025232A-LP600	VSD ByPass 25 hp 230 V, TYPE 3R, LON, 3rd Contactor	68
VS025232A-LP6SA	VSD ByPass 25 hp 230 V, TYPE 3R, LON, 3rd Contactor, Space Heater	68
VS025232A-N0000	VSD ByPass 25 hp 230 V, TYPE 3R, N2/XT/SA Bus	68
VS025232A-NP600	VSD ByPass 25 hp 230 V, TYPE 3R, N2/XT/SA Bus, 3rd Contactor	68
VS025232A-NP6SA	VSD ByPass 25 hp 230 V, TYPE 3R, N2/XT/SA Bus, 3rd Contactor, Space Heater	68
VS025232A-B0000	VSD ByPass 25 hp 230 V, TYPE 3R, MS/TP BACnet	68
VS025232A-BP600	VSD ByPass 25 hp 230 V, TYPE 3R, MS/TP BACnet, 3rd Contactor	68
VS025232A-BP6SA	VSD ByPass 25 hp 230 V, TYPE 3R, MS/TP BACnet, 3rd Contactor, Space Heater	68
VS030222A-00000	VSD ByPass 30 hp 230 V, TYPE 12	80
VS030222A-0P600	VSD ByPass 30 hp 230 V, TYPE 12, 3rd Contactor	80
VS030222A-L0000	VSD ByPass 30 hp 230 V, TYPE 12, LON	80
VS030222A-LP600	VSD ByPass 30 hp 230 V, TYPE 12, LON, 3rd Contactor	80
VS030222A-N0000	VSD ByPass 30 hp 230 V, TYPE 12, N2/XT/SA Bus	80
VS030222A-NP600	VSD ByPass 30 hp 230 V, TYPE 12, N2/XT/SA Bus, 3rd Contactor	80
VS030222A-B0000	VSD ByPass 30 hp 230 V, TYPE 12, MS/TP BACnet	80
VS030222A-BP600	VSD ByPass 30 hp 230 V, TYPE 12, MS/TP BACnet, 3rd Contactor	80
VS030232A-00000	VSD ByPass 30 hp 230 V, TYPE 3R	80
VS030232A-0P600	VSD ByPass 30 hp 230 V, TYPE 3R, 3rd Contactor	80
VS030232A-0P6SA	VSD ByPass 30 hp 230 V, TYPE 3R, 3rd Contactor, Space Heater	80
VS030232A-L0000	VSD ByPass 30 hp 230 V, TYPE 3R, LON	80
VS030232A-LP600	VSD ByPass 30 hp 230 V, TYPE 3R, LON, 3rd Contactor	80
VS030232A-LP6SA	VSD ByPass 30 hp 230 V, TYPE 3R, LON, 3rd Contactor, Space Heater	80
VS030232A-N0000	VSD ByPass 30 hp 230 V, TYPE 3R, N2/XT/SA Bus	80
VS030232A-NP600	VSD ByPass 30 hp 230 V, TYPE 3R, N2/XT/SA Bus, 3rd Contactor	80
VS030232A-NP6SA	VSD ByPass 30 hp 230 V, TYPE 3R, N2/XT/SA Bus, 3rd Contactor, Space Heater	80
VS030232A-B0000	VSD ByPass 30 hp 230 V, TYPE 3R, MS/TP BACnet	80
VS030232A-BP600	VSD ByPass 30 hp 230 V, TYPE 3R, MS/TP BACnet, 3rd Contactor	80
VS030232A-BP6SA	VSD ByPass 30 hp 230 V, TYPE 3R, MS/TP BACnet, 3rd Contactor, Space Heater	80

1. All horsepower and current ratings are Variable Torque (VT).

Table 18: VSD Series 230 V Enclosed IntelliPass Drives - Frame 8 (Part 1 of 3)

Code Number	Description ¹	Current (A) ¹
VS040222A-00000	VSD ByPass 40 hp 230 V, TYPE 12	104
VS040222A-0P600	VSD ByPass 40 hp 230 V, TYPE 12, 3rd Contactor	104
VS040222A-L0000	VSD ByPass 40 hp 230 V, TYPE 12, LON	104
VS040222A-LP600	VSD ByPass 40 hp 230 V, TYPE 12, LON, 3rd Contactor	104
VS040222A-N0000	VSD ByPass 40 hp 230 V, TYPE 12, N2/XT/SA Bus	104
VS040222A-NP600	VSD ByPass 40 hp 230 V, TYPE 12, N2/XT/SA Bus, 3rd Contactor	104
VS040222A-B0000	VSD ByPass 40 hp 230 V, TYPE 12, MS/TP BACnet	104
VS040222A-BP600	VSD ByPass 40 hp 230 V, TYPE 12, MS/TP BACnet, 3rd Contactor	104
VS040232A-00000	VSD ByPass 40 hp 230 V, TYPE 3R	104
VS040232A-0P600	VSD ByPass 40 hp 230 V, TYPE 3R, Fuse, 3rd Contactor	104
VS040232A-0P6SA	VSD ByPass 40 hp 230 V, TYPE 3R, Fuse, 3rd Contactor, Space Heater	104
VS040232A-L0000	VSD ByPass 40 hp 230 V, TYPE 3R, LON	104
VS040232A-LP600	VSD ByPass 40 hp 230 V, TYPE 3R, LON, 3rd Contactor	104
VS040232A-LP6SA	VSD ByPass 40 hp 230 V, TYPE 3R, LON, 3rd Contactor, Space Heater	104
VS040232A-N0000	VSD ByPass 40 hp 230 V, TYPE 3R, N2/XT/SA Bus	104
VS040232A-NP600	VSD ByPass 40 hp 230 V, TYPE 3R, N2/XT/SA Bus, 3rd Contactor	104
VS040232A-NP6SA	VSD ByPass 40 hp 230 V, TYPE 3R, N2/XT/SA Bus, 3rd Contactor, Space Heater	104
VS040232A-B0000	VSD ByPass 40 hp 230 V, TYPE 3R, MS/TP BACnet	104
VS040232A-BP600	VSD ByPass 40 hp 230 V, TYPE 3R, MS/TP BACnet, 3rd Contactor	104
VS040232A-BP6SA	VSD ByPass 40 hp 230 V, TYPE 3R, MS/TP BACnet, 3rd Contactor, Space Heater	104
VS050222A-00000	VSD ByPass 50 hp 230 V, TYPE 12	130
VS050222A-0P600	VSD ByPass 50 hp 230 V, TYPE 12, 3rd Contactor	130
VS050222A-L0000	VSD ByPass 50 hp 230 V, TYPE 12, LON	130
VS050222A-LP600	VSD ByPass 50 hp 230 V, TYPE 12, LON, 3rd Contactor	130
VS050222A-N0000	VSD ByPass 50 hp 230 V, TYPE 12, N2/XT/SA Bus	130
VS050222A-NP600	VSD ByPass 50 hp 230 V, TYPE 12, N2/XT/SA Bus, 3rd Contactor	130
VS050222A-B0000	VSD ByPass 50 hp 230 V, TYPE 12, MS/TP BACnet	130
VS050222A-BP600	VSD ByPass 50 hp 230 V, TYPE 12, MS/TP BACnet, 3rd Contactor	130
VS050232A-00000	VSD ByPass 50 hp 230 V, TYPE 3R	130
VS050232A-0P600	VSD ByPass 50 hp 230 V, TYPE 3R, 3rd Contactor	130
VS050232A-0P6SA	VSD ByPass 50 hp 230 V, TYPE 3R, 3rd Contactor, Space Heater	130
VS050232A-L0000	VSD ByPass 50 hp 230 V, TYPE 3R, LON	130
VS050232A-LP600	VSD ByPass 50 hp 230 V, TYPE 3R, LON, 3rd Contactor	130
VS050232A-LP6SA	VSD ByPass 50 hp 230 V, TYPE 3R, LON, 3rd Contactor, Space Heater	130
VS050232A-N0000	VSD ByPass 50 hp 230 V, TYPE 3R, N2/XT/SA Bus	130
VS050232A-NP600	VSD ByPass 50 hp 230 V, TYPE 3R, N2/XT/SA Bus, 3rd Contactor	130

Table 18: VSD Series 230 V Enclosed IntelliPass Drives - Frame 8 (Part 2 of 3)

Code Number	Description ¹	Current (A) ¹
VS050232A-NP6SA	VSD ByPass 50 hp 230 V, TYPE 3R, N2/XT/SA Bus, 3rd Contactor, Space Heater	130
VS050232A-B0000	VSD ByPass 50 hp 230 V, TYPE 3R, MS/TP BACnet	130
VS050232A-BP600	VSD ByPass 50 hp 230 V, TYPE 3R, MS/TP BACnet, 3rd Contactor	130
VS050232A-BP6SA	VSD ByPass 50 hp 230 V, TYPE 3R, MS/TP BACnet, 3rd Contactor, Space Heater	130
VS060222A-00000	VSD ByPass 60 hp 230 V, TYPE 12	154
VS060222A-0P600	VSD ByPass 60 hp 230 V, TYPE 12, 3rd Contactor	154
VS060222A-L0000	VSD ByPass 60 hp 230 V, TYPE 12, LON	154
VS060222A-LP600	VSD ByPass 60 hp 230 V, TYPE 12, LON, 3rd Contactor	154
VS060222A-N0000	VSD ByPass 60 hp 230 V, TYPE 12, N2/XT/SA Bus	154
VS060222A-NP600	VSD ByPass 60 hp 230 V, TYPE 12, N2/XT/SA Bus, 3rd Contactor	154
VS060222A-B0000	VSD ByPass 60 hp 230 V, TYPE 12, MS/TP BACnet	154
VS060222A-BP600	VSD ByPass 60 hp 230 V, TYPE 12, MS/TP BACnet, 3rd Contactor	154
VS060232A-00000	VSD ByPass 60 hp 230 V, TYPE 3R	154
VS060232A-0P600	VSD ByPass 60 hp 230 V, TYPE 3R, Fuse, 3rd Contactor	154
VS060232A-0P6SA	VSD ByPass 60 hp 230 V, TYPE 3R, Fuse, 3rd Contactor, Space Heater	154
VS060232A-L0000	VSD ByPass 60 hp 230 V, TYPE 3R, LON	154
VS060232A-LP600	VSD ByPass 60 hp 230 V, TYPE 3R, LON, 3rd Contactor	154
VS060232A-LP6SA	VSD ByPass 60 hp 230 V, TYPE 3R, LON, 3rd Contactor, Space Heater	154
VS060232A-N0000	VSD ByPass 60 hp 230 V, TYPE 3R, N2/XT/SA Bus	154
VS060232A-NP600	VSD ByPass 60 hp 230 V, TYPE 3R, N2/XT/SA Bus, 3rd Contactor	154
VS060232A-NP6SA	VSD ByPass 60 hp 230 V, TYPE 3R, N2/XT/SA Bus, 3rd Contactor, Space Heater	154
VS060232A-B0000	VSD ByPass 60 hp 230 V, TYPE 3R, MS/TP BACnet	154
VS060232A-BP600	VSD ByPass 60 hp 230 V, TYPE 3R, MS/TP BACnet, 3rd Contactor	154
VS060232A-BP6SA	VSD ByPass 60 hp 230 V, TYPE 3R, MS/TP BACnet, 3rd Contactor, Space Heater	154
VS075222A-00000	VSD ByPass 75 hp 230 V, TYPE 12	192
VS075222A-0P600	VSD ByPass 75 hp 230 V, TYPE 12, 3rd Contactor	192
VS075222A-L0000	VSD ByPass 75 hp 230 V, TYPE 12, LON	192
VS075222A-LP600	VSD ByPass 75 hp 230 V, TYPE 12, LON, 3rd Contactor	192
VS075222A-N0000	VSD ByPass 75 hp 230 V, TYPE 12, N2/XT/SA Bus	192
VS075222A-NP600	VSD ByPass 75 hp 230 V, TYPE 12, N2/XT/SA Bus, 3rd Contactor	192
VS075222A-B0000	VSD ByPass 75 hp 230 V, TYPE 12, MS/TP BACnet	192
VS075222A-BP600	VSD ByPass 75 hp 230 V, TYPE 12, MS/TP BACnet, 3rd Contactor	192
VS075232A-00000	VSD ByPass 75 hp 230 V, TYPE 3R	192
VS075232A-0P600	VSD ByPass 75 hp 230 V, TYPE 3R, Fuse, 3rd Contactor	192
VS075232A-0P6SA	VSD ByPass 75 hp 230 V, TYPE 3R, Fuse, 3rd Contactor, Space Heater	192
VS075232A-L0000	VSD ByPass 75 hp 230 V, TYPE 3R, LON	192

Table 18: VSD Series 230 V Enclosed IntelliPass Drives - Frame 8 (Part 3 of 3)

Code Number	Description ¹	Current (A) ¹
VS075232A-LP600	VSD ByPass 75 hp 230 V, TYPE 3R, LON, 3rd Contactor	192
VS075232A-LP6SA	VSD ByPass 75 hp 230 V, TYPE 3R, LON, 3rd Contactor, Space Heater	192
VS075232A-N0000	VSD ByPass 75 hp 230 V, TYPE 3R, N2/XT/SA Bus	192
VS075232A-NP600	VSD ByPass 75 hp 230 V, TYPE 3R, N2/XT/SA Bus, 3rd Contactor	192
VS075232A-NP6SA	VSD ByPass 75 hp 230 V, TYPE 3R, N2/XT/SA Bus, 3rd Contactor, Space Heater	192
VS075232A-B0000	VSD ByPass 75 hp 230 V, TYPE 3R, MS/TP BACnet	192
VS075232A-BP600	VSD ByPass 75 hp 230 V, TYPE 3R, MS/TP BACnet, 3rd Contactor	192
VS075232A-BP6SA	VSD ByPass 75 hp 230 V, TYPE 3R, MS/TP BACnet, 3rd Contactor, Space Heater	192

1. All horsepower and current ratings are Variable Torque (VT).

Table 19: VSD Series 230 V Enclosed IntelliDisconnect Drives - Frame 4 (Part 1 of 2)

Code Number	Description ¹	Current (A) ¹
VS001223A-00000	VSD with Disconnect 1 hp 230 V, TYPE 12	4.8
VS001223A-N0000	VSD with Disconnect 1 hp 230 V, TYPE 12, N2/XT/SA Bus	4.8
VS001223A-B0000	VSD with Disconnect 1 hp 230 V, TYPE 12, MS/TP BACnet	4.8
VS001233A-00000	VSD with Disconnect 1hp 230 V, TYPE 3R	4.8
VS001233A-0SA00	VSD with Disconnect 1 hp 230 V, TYPE 3R, Space Heater	4.8
VS001233A-N0000	VSD with Disconnect 1 hp 230 V, TYPE 3R, N2/XT/SA Bus	4.8
VS001233A-NSA00	VSD with Disconnect 1 hp 230 V, TYPE 3R, N2/XT/SA Bus, Space Heater	4.8
VS001233A-B0000	VSD with Disconnect 1 hp 230 V, TYPE 3R, MS/TP BACnet	4.8
VS001233A-BSA00	VSD with Disconnect 1 hp 230 V, TYPE 3R, MS/TP BACnet, Space Heater	4.8
VS002223A-00000	VSD with Disconnect 2 hp 230 V, TYPE 12	7.8
VS002223A-N0000	VSD with Disconnect 2 hp 230 V, TYPE 12, N2/XT/SA Bus	7.8
VS002223A-B0000	VSD with Disconnect 2 hp 230 V, TYPE 12, MS/TP BACnet	7.8
VS002233A-00000	VSD with Disconnect 2 hp 230 V, TYPE 3R	7.8
VS002233A-0SA00	VSD with Disconnect 2 hp 230 V, TYPE 3R, Space Heater	7.8
VS002233A-N0000	VSD with Disconnect 2 hp 230 V, TYPE 3R, N2/XT/SA Bus	7.8
VS002233A-NSA00	VSD with Disconnect 2 hp 230 V, TYPE 3R, N2/XT/SA Bus, Space Heater	7.8
VS002233A-B0000	VSD with Disconnect 2 hp 230 V, TYPE 3R, MS/TP BACnet	7.8
VS002233A-BSA00	VSD with Disconnect 2 hp 230 V, TYPE 3R, MS/TP BACnet, Space Heater	7.8
VS003223A-00000	VSD with Disconnect 3 hp 230 V, TYPE 12	11
VS003223A-N0000	VSD with Disconnect 3 hp 230 V, TYPE 12, N2/XT/SA Bus	11
VS003223A-B0000	VSD with Disconnect 3 hp 230 V, TYPE 12, MS/TP BACnet	11
VS003233A-00000	VSD with Disconnect 3 hp 230 V, TYPE 3R	11

Table 19: VSD Series 230 V Enclosed IntelliDisconnect Drives - Frame 4 (Part 2 of 2)

Code Number	Description ¹	Current (A) ¹
VS003233A-0SA00	VSD with Disconnect 3 hp 230 V, TYPE 3R, Space Heater	11
VS003233A-N0000	VSD with Disconnect 3 hp 230 V, TYPE 3R, N2/XT/SA Bus	11
VS003233A-NSA00	VSD with Disconnect 3 hp 230 V, TYPE 3R, N2/XT/SA Bus, Space Heater	11
VS003233A-B0000	VSD with Disconnect 3 hp 230 V, TYPE 3R, MS/TP BACnet	11
VS003233A-BSA00	VSD with Disconnect 3 hp 230 V, TYPE 3R, MS/TP BACnet, Space Heater	11

1. All horsepower and current ratings are Variable Torque (VT).

Table 20: VSD Series 230 V Enclosed IntelliDisconnect Drives - Frame 5 (Part 1 of 2)

Code Number	Description ¹	Current (A) ¹
VS005223A-00000	VSD with Disconnect 5 hp 230 V, TYPE 12	17.5
VS005223A-N0000	VSD with Disconnect 5 hp 230 V, TYPE 12, N2/XT/SA Bus	17.5
VS005223A-B0000	VSD with Disconnect 5 hp 230 V, TYPE 12, MS/TP BACnet	17.5
VS005233A-00000	VSD with Disconnect 5 hp 230 V, TYPE 3R	17.5
VS005233A-0SA00	VSD with Disconnect 5 hp 230 V, TYPE 3R, Space Heater	17.5
VS005233A-N0000	VSD with Disconnect 5 hp 230 V, TYPE 3R, N2/XT/SA Bus	17.5
VS005233A-NSA00	VSD with Disconnect 5 hp 230 V, TYPE 3R, N2/XT/SA Bus, Space Heater	17.5
VS005233A-B0000	VSD with Disconnect 5 hp 230 V, TYPE 3R, MS/TP BACnet	17.5
VS005233A-BSA00	VSD with Disconnect 5 hp 230 V, TYPE 3R, MS/TP BACnet, Space Heater	17.5
VS007223A-00000	VSD with Disconnect 7-1/2 hp 230 V, TYPE 12	25
VS007223A-N0000	VSD with Disconnect 7-1/2 hp 230 V, TYPE 12, N2/XT/SA Bus	25
VS007223A-B0000	VSD with Disconnect 7-1/2 hp 230 V, TYPE 12, MS/TP BACnet	25
VS007233A-00000	VSD with Disconnect 7-1/2 hp 230 V, TYPE 3R	25
VS007233A-0SA00	VSD with Disconnect 7-1/2 hp 230 V, TYPE 3R, Space Heater	25
VS007233A-N0000	VSD with Disconnect 7-1/2 hp 230 V, TYPE 3R, N2/XT/SA Bus	25
VS007233A-NSA00	VSD with Disconnect 7-1/2 hp 230 V, TYPE 3R, N2/XT/SA Bus, Space Heater	25
VS007233A-B0000	VSD with Disconnect 7-1/2 hp 230 V, TYPE 3R, MS/TP BACnet	25
VS007233A-BSA00	VSD with Disconnect 7-1/2 hp 230 V, TYPE 3R, MS/TP BACnet, Space Heater	25
VS010223A-00000	VSD with Disconnect 10 hp 230 V, TYPE 12	31
VS010223A-N0000	VSD with Disconnect 10 hp 230 V, TYPE 12, N2/XT/SA Bus	31
VS010223A-B0000	VSD with Disconnect 10 hp 230 V, TYPE 12, MS/TP BACnet	31
VS010233A-00000	VSD with Disconnect 10 hp 230 V, TYPE 3R	31

Table 20: VSD Series 230 V Enclosed IntelliDisconnect Drives - Frame 5 (Part 2 of 2)

Code Number	Description ¹	Current (A) ¹
VS010233A-0SA00	VSD with Disconnect 10 hp 230 V, TYPE 3R, Space Heater	31
VS010233A-N0000	VSD with Disconnect 10 hp 230 V, TYPE 3R, N2/XT/SA Bus	31
VS010233A-NSA00	VSD with Disconnect 10 hp 230 V, TYPE 3R, N2/XT/SA Bus, Space Heater	31
VS010233A-B0000	VSD with Disconnect 10 hp 230 V, TYPE 3R, MS/TP BACnet	31
VS010233A-BSA00	VSD with Disconnect 10 hp 230 V, TYPE 3R, MS/TP BACnet, Space Heater	31

1. All horsepower and current ratings are Variable Torque (VT).

Table 21: VSD Series 230 V Enclosed IntelliDisconnect Drives - Frame 6

Code Number	Description ¹	Current (A) ¹
VS015223A-00000	VSD with Disconnect 15 hp 230 V, TYPE 12	48
VS015223A-N0000	VSD with Disconnect 15 hp 230 V, TYPE 12, N2/XT/SA Bus	48
VS015223A-B0000	VSD with Disconnect 15 hp 230 V, TYPE 12, MS/TP BACnet	48
VS015233A-00000	VSD with Disconnect 15 hp 230 V, TYPE 3R	48
VS015233A-0SA00	VSD with Disconnect 15 hp 230 V, TYPE 3R, Space Heater	48
VS015233A-N0000	VSD with Disconnect 15 hp 230 V, TYPE 3R, N2/XT/SA Bus	48
VS015233A-NSA00	VSD with Disconnect 15 hp 230 V, TYPE 3R, N2/XT/SA Bus, Space Heater	48
VS015233A-B0000	VSD with Disconnect 15 hp 230 V, TYPE 3R, MS/TP BACnet	48
VS015233A-BSA00	VSD with Disconnect 15 hp 230 V, TYPE 3R, MS/TP BACnet, Space Heater	48
VS020223A-00000	VSD with Disconnect 20 hp 230 V, TYPE 12	61
VS020223A-N0000	VSD with Disconnect 20 hp 230 V, TYPE 12, N2/XT/SA Bus	61
VS020223A-B0000	VSD with Disconnect 20 hp 230 V, TYPE 12, MS/TP BACnet	61
VS020233A-00000	VSD with Disconnect 20 hp 230 V, TYPE 3R	61
VS020233A-0SA00	VSD with Disconnect 20 hp 230 V, TYPE 3R, Space Heater	61
VS020233A-N0000	VSD with Disconnect 20 hp 230 V, TYPE 3R, N2/XT/SA Bus	61
VS020233A-NSA00	VSD with Disconnect 20 hp 230 V, TYPE 3R, N2/XT/SA Bus, Space Heater	61
VS020233A-B0000	VSD with Disconnect 20 hp 230 V, TYPE 3R, MS/TP BACnet	61
VS020233A-BSA00	VSD with Disconnect 20 hp 230 V, TYPE 3R, MS/TP BACnet, Space Heater	61

1. All horsepower and current ratings are Variable Torque (VT).

Table 22: VSD Series 230 V Enclosed IntelliDisconnect Drives - Frame 7

Code Number	Description ¹	Current (A) ¹
VS025223A-00000	VSD with Disconnect 25 hp 230 V, TYPE 12	75
VS025223A-N0000	VSD with Disconnect 25 hp 230 V, TYPE 12, N2/XT/SA Bus	75
VS025223A-B0000	VSD with Disconnect 25 hp 230 V, TYPE 12, MS/TP BACnet	75
VS025233A-00000	VSD with Disconnect 25 hp 230 V, TYPE 3R	75
VS025233A-0SA00	VSD with Disconnect 25 hp 230 V, TYPE 3R, Space Heater	75
VS025233A-N0000	VSD with Disconnect 25 hp 230 V, TYPE 3R, N2/XT/SA Bus	75
VS025233A-NSA00	VSD with Disconnect 25 hp 230 V, TYPE 3R, N2/XT/SA Bus, Space Heater	75
VS025233A-B0000	VSD with Disconnect 25 hp 230 V, TYPE 3R, MS/TP BACnet	75
VS025233A-BSA00	VSD with Disconnect 25 hp 230 V, TYPE 3R, MS/TP BACnet, Space Heater	75
VS030223A-00000	VSD with Disconnect 30 hp 230 V, TYPE 12	88
VS030223A-N0000	VSD with Disconnect 30 hp 230 V, TYPE 12, N2/XT/SA Bus	88
VS030223A-B0000	VSD with Disconnect 30 hp 230 V, TYPE 12, MS/TP BACnet	88
VS030233A-00000	VSD with Disconnect 30 hp 230 V, TYPE 3R	88
VS030233A-0SA00	VSD with Disconnect 30 hp 230 V, TYPE 3R, Space Heater	88
VS030233A-N0000	VSD with Disconnect 30 hp 230 V, TYPE 3R, N2/XT/SA Bus	88
VS030233A-NSA00	VSD with Disconnect 30 hp 230 V, TYPE 3R, N2/XT/SA Bus, Space Heater	88
VS030233A-B0000	VSD with Disconnect 30 hp 230 V, TYPE 3R, MS/TP BACnet	88
VS030233A-BSA00	VSD with Disconnect 30 hp 230 V, TYPE 3R, MS/TP BACnet, Space Heater	88

1. All horsepower and current ratings are Variable Torque (VT).

Table 23: VSD Series 230 V Enclosed IntelliDisconnect Drives - Frame 8 (Part 1 of 2)

Code Number	Description ¹	Current (A) ¹
VS040223A-00000	VSD with Disconnect 40 hp 230 V, TYPE 12	104
VS040223A-N0000	VSD with Disconnect 40 hp 230 V, TYPE 12, N2/XT/SA Bus	104
VS040223A-B0000	VSD with Disconnect 40 hp 230 V, TYPE 12, MS/TP BACnet	104
VS040233A-00000	VSD with Disconnect 40 hp 230 V, TYPE 3R	104
VS040233A-0SA00	VSD with Disconnect 40 hp 230 V, TYPE 3R, Space Heater	104
VS040233A-N0000	VSD with Disconnect 40 hp 230 V, TYPE 3R, N2/XT/SA Bus	104
VS040233A-NSA00	VSD with Disconnect 40 hp 230 V, TYPE 3R, N2/XT/SA Bus, Space Heater	104
VS040233A-B0000	VSD with Disconnect 40 hp 230 V, TYPE 3R, MS/TP BACnet	104
VS040233A-BSA00	VSD with Disconnect 40 hp 230 V, TYPE 3R, MS/TP BACnet, Space Heater	104
VS050223A-00000	VSD with Disconnect 50 hp 230 V, TYPE 12	130
VS050223A-N0000	VSD with Disconnect 50 hp 230 V, TYPE 12, N2/XT/SA Bus	130

Table 23: VSD Series 230 V Enclosed IntelliDisconnect Drives - Frame 8 (Part 2 of 2)

Code Number	Description ¹	Current (A) ¹
VS050223A-B0000	VSD with Disconnect 50 hp 230 V, TYPE 12, MS/TP BACnet	130
VS050233A-00000	VSD with Disconnect 50 hp 230 V, TYPE 3R	130
VS050233A-0SA00	VSD with Disconnect 50 hp 230 V, TYPE 3R, Space Heater	130
VS050233A-N0000	VSD with Disconnect 50 hp 230 V, TYPE 3R, N2/XT/SA Bus	130
VS050233A-NSA00	VSD with Disconnect 50 hp 230 V, TYPE 3R, N2/XT/SA Bus, Space Heater	130
VS050233A-B0000	VSD with Disconnect 50 hp 230 V, TYPE 3R, MS/TP BACnet	130
VS050233A-BSA00	VSD with Disconnect 50 hp 230 V, TYPE 3R, MS/TP BACnet, Space Heater	130
VS060223A-00000	VSD with Disconnect 60 hp 230 V, TYPE 12	154
VS060223A-N0000	VSD with Disconnect 60 hp 230 V, TYPE 12, N2/XT/SA Bus	154
VS060223A-B0000	VSD with Disconnect 60 hp 230 V, TYPE 12, MS/TP BACnet	154
VS060233A-00000	VSD with Disconnect 60 hp 230 V, TYPE 3R	154
VS060233A-0SA00	VSD with Disconnect 60 hp 230 V, TYPE 3R, Space Heater	154
VS060233A-N0000	VSD with Disconnect 60 hp 230 V, TYPE 3R, N2/XT/SA Bus	154
VS060233A-NSA00	VSD with Disconnect 60 hp 230 V, TYPE 3R, N2/XT/SA Bus, Space Heater	154
VS060233A-B0000	VSD with Disconnect 60 hp 230 V, TYPE 3R, MS/TP BACnet	154
VS060233A-BSA00	VSD with Disconnect 60 hp 230 V, TYPE 3R, MS/TP BACnet, Space Heater	154
VS075223A-00000	VSD with Disconnect 75 hp 230 V, TYPE 12	205
VS075223A-N0000	VSD with Disconnect 75 hp 230 V, TYPE 12, N2/XT/SA Bus	205
VS075223A-B0000	VSD with Disconnect 75 hp 230 V, TYPE 12, MS/TP BACnet	205
VS075233A-00000	VSD with Disconnect 75 hp 230 V, TYPE 3R	205
VS075233A-0SA00	VSD with Disconnect 75 hp 230 V, TYPE 3R, Space Heater	205
VS075233A-N0000	VSD with Disconnect 75 hp 230 V, TYPE 3R, N2/XT/SA Bus	205
VS075233A-NSA00	VSD with Disconnect 75 hp 230 V, TYPE 3R, N2/XT/SA Bus, Space Heater	205
VS075233A-B0000	VSD with Disconnect 75 hp 230 V, TYPE 3R, MS/TP BACnet	205
VS075233A-BSA00	VSD with Disconnect 75 hp 230 V, TYPE 3R, MS/TP BACnet, Space Heater	205

1. All horsepower and current ratings are Variable Torque (VT).

Table 24: VSD Series 480 V Enclosed IntelliPass Drives - Frame 4 (Part 1 of 8)

Code Number	Description ¹	Current (A) ¹
VS001422A-00000	VSD ByPass 1 hp 480 V, TYPE 12	3
VS001422A-0P300	VSD ByPass 1 hp 480 V, TYPE 12, Fuse	3
VS001422A-0P600	VSD ByPass 1 hp 480 V, TYPE 12, 3rd Contactor	3
VS001422A-0P900	VSD ByPass 1 hp 480 V, TYPE 12, Fuse, 3rd Contactor	3
VS001422A-L0000	VSD ByPass 1 hp 480 V, TYPE 12, LON	3
VS001422A-LP300	VSD ByPass 1 hp 480 V, TYPE 12, LON, Fuse	3

Table 24: VSD Series 480 V Enclosed IntelliPass Drives - Frame 4 (Part 2 of 8)

Code Number	Description ¹	Current (A) ¹
VS001422A-LP600	VSD ByPass 1 hp 480 V, TYPE 12, LON, 3rd Contactor	3
VS001422A-LP900	VSD ByPass 1 hp 480 V, TYPE 12, LON, Fuse, 3rd Contactor	3
VS001422A-N0000	VSD ByPass 1 hp 480 V, TYPE 12, N2/XT/SA Bus	3
VS001422A-NP300	VSD ByPass 1 hp 480 V, TYPE 12, N2/XT/SA Bus, Fuse	3
VS001422A-NP600	VSD ByPass 1 hp 480 V, TYPE 12, N2/XT/SA Bus, 3rd Contactor	3
VS001422A-NP900	VSD ByPass 1 hp 480 V, TYPE 12, N2/XT/SA Bus, Fuse, 3rd Contactor	3
VS001422A-B0000	VSD ByPass 1 hp 480 V, TYPE 12, MS/TP BACnet	3
VS001422A-BP300	VSD ByPass 1 hp 480 V, TYPE 12, MS/TP BACnet, Fuse	3
VS001422A-BP600	VSD ByPass 1 hp 480 V, TYPE 12, MS/TP BACnet, 3rd Contactor	3
VS001422A-BP900	VSD ByPass 1 hp 480 V, TYPE 12, MS/TP BACnet, Fuse, 3rd Contactor	3
VS001432A-00000	VSD ByPass 1 hp 480 V, TYPE 3R	3
VS001432A-0P300	VSD ByPass 1 hp 480 V, TYPE 3R, Fuse	3
VS001432A-0P3SA	VSD ByPass 1 hp 480 V, TYPE 3R, Fuse, Space Heater	3
VS001432A-0P600	VSD ByPass 1 hp 480 V, TYPE 3R, Fuse, Contactor	3
VS001432A-0P6SA	VSD ByPass 1 hp 480 V, TYPE 3R, Fuse, Contactor, Space Heater	3
VS001432A-0P900	VSD ByPass 1 hp 480 V, TYPE 3R, Fuse, 3rd Contactor	3
VS001432A-0P9SA	VSD ByPass 1 hp 480 V, TYPE 3R, Fuse, 3rd Contactor, Space Heater	3
VS001432A-L0000	VSD ByPass 1 hp 480 V, TYPE 3R, LON	3
VS001432A-LP300	VSD ByPass 1 hp 480 V, TYPE 3R, LON, Fuse	3
VS001432A-LP3SA	VSD ByPass 1 hp 480 V, TYPE 3R, LON, Fuse, Space Heater	3
VS001432A-LP600	VSD ByPass 1 hp 480 V, TYPE 3R, LON, 3rd Contactor	3
VS001432A-LP6SA	VSD ByPass 1 hp 480 V, TYPE 3R, LON, 3rd Contactor, Space Heater	3
VS001432A-LP900	VSD ByPass 1 hp 480 V, TYPE 3R, LON, Fuse, 3rd Contactor	3
VS001432A-LP9SA	VSD ByPass 1 hp 480 V, TYPE 3R, LON, Fuse, 3rd Contactor, Space Heater	3
VS001432A-N0000	VSD ByPass 1 hp 480 V, TYPE 3R, N2/XT/SA Bus	3
VS001432A-NP300	VSD ByPass 1 hp 480 V, TYPE 3R, N2/XT/SA Bus, Fuse	3
VS001432A-NP3SA	VSD ByPass 1 hp 480 V, TYPE 3R, N2/XT/SA Bus, Fuse, Space Heater	3
VS001432A-NP600	VSD ByPass 1 hp 480 V, TYPE 3R, N2/XT/SA Bus, 3rd Contactor	3
VS001432A-NP6SA	VSD ByPass 1 hp 480 V, TYPE 3R, N2/XT/SA Bus, 3rd Contactor, Space Heater	3
VS001432A-NP900	VSD ByPass 1 hp 480 V, TYPE 3R, N2/XT/SA Bus, Fuse, 3rd Contactor	3
VS001432A-NP9SA	VSD ByPass 1 hp 480 V, TYPE 3R, N2/XT/SA Bus, Fuse, 3rd Contactor, Space Heater	3
VS001432A-B0000	VSD ByPass 1 hp 480 V, TYPE 3R, MS/TP BACnet	3
VS001432A-BP300	VSD ByPass 1 hp 480 V, TYPE 3R, MS/TP BACnet, Fuse	3
VS001432A-BP3SA	VSD ByPass 1 hp 480 V, TYPE 3R, MS/TP BACnet, Fuse, Space Heater	3
VS001432A-BP600	VSD ByPass 1 hp 480 V, TYPE 3R, MS/TP BACnet, 3rd Contactor	3

Table 24: VSD Series 480 V Enclosed IntelliPass Drives - Frame 4 (Part 3 of 8)

Code Number	Description ¹	Current (A) ¹
VS001432A-BP6SA	VSD ByPass 1 hp 480 V, TYPE 3R, MS/TP BACnet, 3rd Contactor, Space Heater	3
VS001432A-BP900	VSD ByPass 1 hp 480 V, TYPE 3R, MS/TP BACnet, Fuse, 3rd Contactor	3
VS001432A-BP9SA	VSD ByPass 1 hp 480 V, TYPE 3R, MS/TP BACnet, Fuse, 3rd Contactor, Space Heater	3
VS002422A-00000	VSD ByPass 2 hp 480 V, TYPE 12	3.5
VS002422A-0P300	VSD ByPass 2 hp 480 V, TYPE 12, Fuse	3.5
VS002422A-0P600	VSD ByPass 2 hp 480 V, TYPE 12, 3rd Contactor	3.5
VS002422A-0P900	VSD ByPass 2 hp 480 V, TYPE 12, Fuse, 3rd Contactor	3.5
VS002422A-L0000	VSD ByPass 2 hp 480 V, TYPE 12, LON	3.5
VS002422A-LP300	VSD ByPass 2 hp 480 V, TYPE 12, LON, Fuse	3.5
VS002422A-LP600	VSD ByPass 2 hp 480 V, TYPE 12, LON, 3rd Contactor	3.5
VS002422A-LP900	VSD ByPass 2 hp 480 V, TYPE 12, LON, Fuse, 3rd Contactor	3.5
VS002422A-N0000	VSD ByPass 2 hp 480 V, TYPE 12, N2/XT/SA Bus	3.5
VS002422A-NP300	VSD ByPass 2 hp 480 V, TYPE 12, N2/XT/SA Bus, Fuse	3.5
VS002422A-NP600	VSD ByPass 2 hp 480 V, TYPE 12, N2/XT/SA Bus, 3rd Contactor	3.5
VS002422A-NP900	VSD ByPass 2 hp 480 V, TYPE 12, N2/XT/SA Bus, Fuse, 3rd Contactor	3.5
VS002422A-B0000	VSD ByPass 2 hp 480 V, TYPE 12, MS/TP BACnet	3.5
VS002422A-BP300	VSD ByPass 2 hp 480 V, TYPE 12, MS/TP BACnet, Fuse	3.5
VS002422A-BP600	VSD ByPass 2 hp 480 V, TYPE 12, MS/TP BACnet, 3rd Contactor	3.5
VS002422A-BP900	VSD ByPass 2 hp 480 V, TYPE 12, MS/TP BACnet, Fuse, 3rd Contactor	3.5
VS002432A-00000	VSD ByPass 2 hp 480 V, TYPE 3R	3.5
VS002432A-0P300	VSD ByPass 2 hp 480 V, TYPE 3R, Fuse	3.5
VS002432A-0P3SA	VSD ByPass 2 hp 480 V, TYPE 3R, Fuse, Space Heater	3.5
VS002432A-0P600	VSD ByPass 2 hp 480 V, TYPE 3R, Fuse, 3rd Contactor	3.5
VS002432A-0P6SA	VSD ByPass 2 hp 480 V, TYPE 3R, Fuse, 3rd Contactor, Space Heater	3.5
VS002432A-0P900	VSD ByPass 2 hp 480 V, TYPE 3R, Fuse, 3rd Contactor	3.5
VS002432A-0P9SA	VSD ByPass 2 hp 480 V, TYPE 3R, Fuse, 3rd Contactor, Space Heater	3.5
VS002432A-L0000	VSD ByPass 2 hp 480 V, TYPE 3R, LON	3.5
VS002432A-LP300	VSD ByPass 2 hp 480 V, TYPE 3R, LON, Fuse	3.5
VS002432A-LP3SA	VSD ByPass 2 hp 480 V, TYPE 3R, LON, Fuse, Space Heater	3.5
VS002432A-LP600	VSD ByPass 2 hp 480 V, TYPE 3R, LON, 3rd Contactor	3.5
VS002432A-LP6SA	VSD ByPass 2 hp 480 V, TYPE 3R, LON, 3rd Contactor, Space Heater	3.5
VS002432A-LP900	VSD ByPass 2 hp 480 V, TYPE 3R, LON, Fuse, 3rd Contactor	3.5
VS002432A-LP9SA	VSD ByPass 2 hp 480 V, TYPE 3R, LON, Fuse, 3rd Contactor, Space Heater	3.5
VS002432A-N0000	VSD ByPass 2 hp 480 V, TYPE 3R, N2/XT/SA Bus	3.5
VS002432A-NP300	VSD ByPass 2 hp 480 V, TYPE 3R, N2/XT/SA Bus, Fuse	3.5
VS002432A-NP3SA	VSD ByPass 2 hp 480 V, TYPE 3R, N2/XT/SA Bus, Fuse, Space Heater	3.5
VS002432A-NP600	VSD ByPass 2 hp 480 V, TYPE 3R, N2/XT/SA Bus, 3rd Contactor	3.5

Table 24: VSD Series 480 V Enclosed IntelliPass Drives - Frame 4 (Part 4 of 8)

Code Number	Description¹	Current (A)¹
VS002432A-NP6SA	VSD ByPass 2 hp 480 V, TYPE 3R, N2/XT/SA Bus, 3rd Contactor, Space Heater	3.5
VS002432A-NP900	VSD ByPass 2 hp 480 V, TYPE 3R, N2/XT/SA Bus, Fuse, 3rd Contactor	3.5
VS002432A-NP9SA	VSD ByPass 2 hp 480 V, TYPE 3R, N2/XT/SA Bus, Fuse, 3rd Contactor, Space Heater	3.5
VS002432A-B0000	VSD ByPass 2 hp 480 V, TYPE 3R, MS/TP BACnet	3.5
VS002432A-BP300	VSD ByPass 2 hp 480 V, TYPE 3R, MS/TP BACnet, Fuse	3.5
VS002432A-BP3SA	VSD ByPass 2 hp 480 V, TYPE 3R, MS/TP BACnet, Fuse, Space Heater	3.5
VS002432A-BP600	VSD ByPass 2 hp 480 V, TYPE 3R, MS/TP BACnet, 3rd Contactor	3.5
VS002432A-BP6SA	VSD ByPass 2 hp 480 V, TYPE 3R, MS/TP BACnet, 3rd Contactor, Space Heater	3.5
VS002432A-BP900	VSD ByPass 2 hp 480 V, TYPE 3R, MS/TP BACnet, Fuse, 3rd Contactor	3.5
VS002432A-BP9SA	VSD ByPass 2 hp 480 V, TYPE 3R, MS/TP BACnet, Fuse, 3rd Contactor, Space Heater	3.5
VS003422A-00000	VSD ByPass 3 hp 480 V, TYPE 12	5
VS003422A-0P300	VSD ByPass 3 hp 480 V, TYPE 12, Fuse	5
VS003422A-0P600	VSD ByPass 3 hp 480 V, TYPE 12, 3rd Contactor	5
VS003422A-0P900	VSD ByPass 3 hp 480 V, TYPE 12, Fuse, 3rd Contactor	5
VS003422A-L0000	VSD ByPass 3 hp 480 V, TYPE 12, LON	5
VS003422A-LP300	VSD ByPass 3 hp 480 V, TYPE 12, LON, Fuse	5
VS003422A-LP600	VSD ByPass 3 hp 480 V, TYPE 12, LON, 3rd Contactor	5
VS003422A-LP900	VSD ByPass 3 hp 480 V, TYPE 12, LON, Fuse, 3rd Contactor	5
VS003422A-N0000	VSD ByPass 3 hp 480 V, TYPE 12, N2/XT/SA Bus	5
VS003422A-NP300	VSD ByPass 3 hp 480 V, TYPE 12, N2/XT/SA Bus, Fuse	5
VS003422A-NP600	VSD ByPass 3 hp 480 V, TYPE 12, N2/XT/SA Bus, 3rd Contactor	5
VS003422A-NP900	VSD ByPass 3 hp 480 V, TYPE 12, N2/XT/SA Bus, Fuse, 3rd Contactor	5
VS003422A-B0000	VSD ByPass 3 hp 480 V, TYPE 12, MS/TP BACnet	5
VS003422A-BP300	VSD ByPass 3 hp 480 V, TYPE 12, MS/TP BACnet, Fuse	5
VS003422A-BP600	VSD ByPass 3 hp 480 V, TYPE 12, MS/TP BACnet, 3rd Contactor	5
VS003422A-BP900	VSD ByPass 3 hp 480 V, TYPE 12, MS/TP BACnet, Fuse, 3rd Contactor	5
VS003432A-00000	VSD ByPass 3 hp 480 V, TYPE 3R	5
VS003432A-0P300	VSD ByPass 3 hp 480 V, TYPE 3R, Fuse	5
VS003432A-0P3SA	VSD ByPass 3 hp 480 V, TYPE 3R, Fuse, Space Heater	5
VS003432A-0P600	VSD ByPass 3 hp 480 V, TYPE 3R, Fuse, 3rd Contactor	5
VS003432A-0P6SA	VSD ByPass 3 hp 480 V, TYPE 3R, Fuse, 3rd Contactor, Space Heater	5
VS003432A-0P900	VSD ByPass 3 hp 480 V, TYPE 3R, Fuse, 3rd Contactor	5
VS003432A-0P9SA	VSD ByPass 3 hp 480 V, TYPE 3R, Fuse, 3rd Contactor, Space Heater	5
VS003432A-L0000	VSD ByPass 3 hp 480 V, TYPE 3R, LON	5
VS003432A-LP300	VSD ByPass 3 hp 480 V, TYPE 3R, LON, Fuse	5

Table 24: VSD Series 480 V Enclosed IntelliPass Drives - Frame 4 (Part 5 of 8)

Code Number	Description¹	Current (A)¹
VS003432A-LP3SA	VSD ByPass 3 hp 480 V, TYPE 3R, LON, Fuse, Space Heater	5
VS003432A-LP600	VSD ByPass 3 hp 480 V, TYPE 3R, LON, 3rd Contactor	5
VS003432A-LP6SA	VSD ByPass 3 hp 480 V, TYPE 3R, LON, 3rd Contactor, Space Heater	5
VS003432A-LP900	VSD ByPass 3 hp 480 V, TYPE 3R, LON, Fuse, 3rd Contactor	5
VS003432A-LP9SA	VSD ByPass 3 hp 480 V, TYPE 3R, LON, Fuse, 3rd Contactor, Space Heater	5
VS003432A-N0000	VSD ByPass 3 hp 480 V, TYPE 3R, N2/XT/SA Bus	5
VS003432A-NP300	VSD ByPass 3 hp 480 V, TYPE 3R, N2/XT/SA Bus, Fuse	5
VS003432A-NP3SA	VSD ByPass 3 hp 480 V, TYPE 3R, N2/XT/SA Bus, Fuse, Space Heater	5
VS003432A-NP600	VSD ByPass 3 hp 480 V, TYPE 3R, N2/XT/SA Bus, 3rd Contactor	5
VS003432A-NP6SA	VSD ByPass 3 hp 480 V, TYPE 3R, N2/XT/SA Bus, 3rd Contactor, Space Heater	5
VS003432A-NP900	VSD ByPass 3 hp 480 V, TYPE 3R, N2/XT/SA Bus, Fuse, 3rd Contactor	5
VS003432A-NP9SA	VSD ByPass 3 hp 480 V, TYPE 3R, N2/XT/SA Bus, Fuse, 3rd Contactor, Space Heater	5
VS003432A-B0000	VSD ByPass 3 hp 480 V, TYPE 3R, MS/TP BACnet	5
VS003432A-BP300	VSD ByPass 3 hp 480 V, TYPE 3R, MS/TP BACnet, Fuse	5
VS003432A-BP3SA	VSD ByPass 3 hp 480 V, TYPE 3R, MS/TP BACnet, Fuse, Space Heater	5
VS003432A-BP600	VSD ByPass 3 hp 480 V, TYPE 3R, MS/TP BACnet, 3rd Contactor	5
VS003432A-BP6SA	VSD ByPass 3 hp 480 V, TYPE 3R, MS/TP BACnet, 3rd Contactor, Space Heater	5
VS003432A-BP900	VSD ByPass 3 hp 480 V, TYPE 3R, MS/TP BACnet, Fuse, 3rd Contactor	5
VS003432A-BP9SA	VSD ByPass 3 hp 480 V, TYPE 3R, MS/TP BACnet, Fuse, 3rd Contactor, Space Heater	5
VS005422A-00000	VSD ByPass 5 hp 480 V, TYPE 12	8
VS005422A-0P300	VSD ByPass 5 hp 480 V, TYPE 12, Fuse	8
VS005422A-0P600	VSD ByPass 5 hp 480 V, TYPE 12, 3rd Contactor	8
VS005422A-0P900	VSD ByPass 5 hp 480 V, TYPE 12, Fuse, 3rd Contactor	8
VS005422A-L0000	VSD ByPass 5 hp 480 V, TYPE 12, LON	8
VS005422A-LP300	VSD ByPass 5 hp 480 V, TYPE 12, LON, Fuse	8
VS005422A-LP600	VSD ByPass 5 hp 480 V, TYPE 12, LON, 3rd Contactor	8
VS005422A-LP900	VSD ByPass 5 hp 480 V, TYPE 12, LON, Fuse, 3rd Contactor	8
VS005422A-N0000	VSD ByPass 5 hp 480 V, TYPE 12, N2/XT/SA Bus	8
VS005422A-NP300	VSD ByPass 5 hp 480 V, TYPE 12, N2/XT/SA Bus, Fuse	8
VS005422A-NP600	VSD ByPass 5 hp 480 V, TYPE 12, N2/XT/SA Bus, 3rd Contactor	8
VS005422A-NP900	VSD ByPass 5 hp 480 V, TYPE 12, N2/XT/SA Bus, Fuse, 3rd Contactor	8
VS005422A-B0000	VSD ByPass 5 hp 480 V, TYPE 12, MS/TP BACnet	8
VS005422A-BP300	VSD ByPass 5 hp 480 V, TYPE 12, MS/TP BACnet, Fuse	8
VS005422A-BP600	VSD ByPass 5 hp 480 V, TYPE 12, MS/TP BACnet, 3rd Contactor	8

Table 24: VSD Series 480 V Enclosed IntelliPass Drives - Frame 4 (Part 6 of 8)

Code Number	Description¹	Current (A)¹
VS005422A-BP900	VSD ByPass 5 hp 480 V, TYPE 12, MS/TP BACnet, Fuse, 3rd Contactor	8
VS005432A-00000	VSD ByPass 5 hp 480 V, TYPE 3R	8
VS005432A-0P300	VSD ByPass 5 hp 480 V, TYPE 3R, Fuse	8
VS005432A-0P3SA	VSD ByPass 5 hp 480 V, TYPE 3R, Fuse, Space Heater	8
VS005432A-0P600	VSD ByPass 5 hp 480 V, TYPE 3R, Fuse, 3rd Contactor	8
VS005432A-0P6SA	VSD ByPass 5 hp 480 V, TYPE 3R, Fuse, 3rd Contactor, Space Heater	8
VS005432A-0P900	VSD ByPass 5 hp 480 V, TYPE 3R, Fuse, 3rd Contactor	8
VS005432A-0P9SA	VSD ByPass 5 hp 480 V, TYPE 3R, Fuse, 3rd Contactor, Space Heater	8
VS005432A-L0000	VSD ByPass 5 hp 480 V, TYPE 3R, LON	8
VS005432A-LP300	VSD ByPass 5 hp 480 V, TYPE 3R, LON, Fuse	8
VS005432A-LP3SA	VSD ByPass 5 hp 480 V, TYPE 3R, LON, Fuse, Space Heater	8
VS005432A-LP600	VSD ByPass 5 hp 480 V, TYPE 3R, LON, 3rd Contactor	8
VS005432A-LP6SA	VSD ByPass 5 hp 480 V, TYPE 3R, LON, 3rd Contactor, Space Heater	8
VS005432A-LP900	VSD ByPass 5 hp 480 V, TYPE 3R, LON, Fuse, 3rd Contactor	8
VS005432A-LP9SA	VSD ByPass 5 hp 480 V, TYPE 3R, LON, Fuse, 3rd Contactor, Space Heater	8
VS005432A-N0000	VSD ByPass 5 hp 480 V, TYPE 3R, N2/XT/SA Bus	8
VS005432A-NP300	VSD ByPass 5 hp 480 V, TYPE 3R, N2/XT/SA Bus, Fuse	8
VS005432A-NP3SA	VSD ByPass 5 hp 480 V, TYPE 3R, N2/XT/SA Bus, Fuse, Space Heater	8
VS005432A-NP600	VSD ByPass 5 hp 480 V, TYPE 3R, N2/XT/SA Bus, 3rd Contactor	8
VS005432A-NP6SA	VSD ByPass 5 hp 480 V, TYPE 3R, N2/XT/SA Bus, 3rd Contactor, Space Heater	8
VS005432A-NP900	VSD ByPass 5 hp 480 V, TYPE 3R, N2/XT/SA Bus, Fuse, 3rd Contactor	8
VS005432A-NP9SA	VSD ByPass 5 hp 480 V, TYPE 3R, N2/XT/SA Bus, Fuse, 3rd Contactor, Space Heater	8
VS005432A-B0000	VSD ByPass 5 hp 480 V, TYPE 3R, MS/TP BACnet	8
VS005432A-BP300	VSD ByPass 5 hp 480 V, TYPE 3R, MS/TP BACnet, Fuse	8
VS005432A-BP3SA	VSD ByPass 5 hp 480 V, TYPE 3R, MS/TP BACnet, Fuse, Space Heater	8
VS005432A-BP600	VSD ByPass 5 hp 480 V, TYPE 3R, MS/TP BACnet, 3rd Contactor	8
VS005432A-BP6SA	VSD ByPass 5 hp 480 V, TYPE 3R, MS/TP BACnet, 3rd Contactor, Space Heater	8
VS005432A-BP900	VSD ByPass 5 hp 480 V, TYPE 3R, MS/TP BACnet, Fuse, 3rd Contactor	8
VS005432A-BP9SA	VSD ByPass 5 hp 480 V, TYPE 3R, MS/TP BACnet, Fuse, 3rd Contactor, Space Heater	8
VS007422A-00000	VSD ByPass 7-1/2 hp 480 V, TYPE 12	11
VS007422A-0P300	VSD ByPass 7-1/2 hp 480 V, TYPE 12, Fuse	11
VS007422A-0P600	VSD ByPass 7-1/2 hp 480 V, TYPE 12, 3rd Contactor	11
VS007422A-0P900	VSD ByPass 7-1/2 hp 480 V, TYPE 12, Fuse, 3rd Contactor	11
VS007422A-L0000	VSD ByPass 7-1/2 hp 480 V, TYPE 12, LON	11

Table 24: VSD Series 480 V Enclosed IntelliPass Drives - Frame 4 (Part 7 of 8)

Code Number	Description ¹	Current (A) ¹
VS007422A-LP300	VSD ByPass 7-1/2 hp 480 V, TYPE 12, LON, Fuse	11
VS007422A-LP600	VSD ByPass 7-1/2 hp 480 V, TYPE 12, LON, 3rd Contactor	11
VS007422A-LP900	VSD ByPass 7-1/2 hp 480 V, TYPE 12, LON, Fuse, 3rd Contactor	11
VS007422A-N0000	VSD ByPass 7-1/2 hp 480 V, TYPE 12, N2/XT/SA Bus	11
VS007422A-NP300	VSD ByPass 7-1/2 hp 480 V, TYPE 12, N2/XT/SA Bus, Fuse	11
VS007422A-NP600	VSD ByPass 7-1/2 hp 480 V, TYPE 12, N2/XT/SA Bus, 3rd Contactor	11
VS007422A-NP900	VSD ByPass 7-1/2 hp 480 V, TYPE 12, N2/XT/SA Bus, Fuse, 3rd Contactor	11
VS007422A-B0000	VSD ByPass 7-1/2 hp 480 V, TYPE 12, MS/TP BACnet	11
VS007422A-BP300	VSD ByPass 7-1/2 hp 480 V, TYPE 12, MS/TP BACnet, Fuse	11
VS007422A-BP600	VSD ByPass 7-1/2 hp 480 V, TYPE 12, MS/TP BACnet, 3rd Contactor	11
VS007422A-BP900	VSD ByPass 7-1/2 hp 480 V, TYPE 12, MS/TP BACnet, Fuse, 3rd Contactor	11
VS007432A-00000	VSD ByPass 7-1/2 hp 480 V, TYPE 3R	11
VS007432A-0P300	VSD ByPass 7-1/2 hp 480 V, TYPE 3R, Fuse	11
VS007432A-0P3SA	VSD ByPass 7-1/2 hp 480 V, TYPE 3R, Fuse, Space Heater	11
VS007432A-0P600	VSD ByPass 7-1/2 hp 480 V, TYPE 3R, Fuse, 3rd Contactor	11
VS007432A-0P6SA	VSD ByPass 7-1/2 hp 480 V, TYPE 3R, Fuse, 3rd Contactor, Space Heater	11
VS007432A-0P900	VSD ByPass 7-1/2 hp 480 V, TYPE 3R, Fuse, 3rd Contactor	11
VS007432A-0P9SA	VSD ByPass 7-1/2 hp 480 V, TYPE 3R, Fuse, 3rd Contactor, Space Heater	11
VS007432A-L0000	VSD ByPass 7-1/27-1/2 hp 480 V, TYPE 3R, LON	11
VS007432A-LP300	VSD ByPass 7-1/2 hp 480 V, TYPE 3R, LON, Fuse	11
VS007432A-LP3SA	VSD ByPass 7-1/2 hp 480 V, TYPE 3R, LON, Fuse, Space Heater	11
VS007432A-LP600	VSD ByPass 7-1/2 hp 480 V, TYPE 3R, LON, 3rd Contactor	11
VS007432A-LP6SA	VSD ByPass 7-1/2 hp 480 V, TYPE 3R, LON, 3rd Contactor, Space Heater	11
VS007432A-LP900	VSD ByPass 7-1/2 hp 480 V, TYPE 3R, LON, Fuse, 3rd Contactor	11
VS007432A-LP9SA	VSD ByPass 7-1/2 hp 480 V, TYPE 3R, LON, Fuse, 3rd Contactor, Space Heater	11
VS007432A-N0000	VSD ByPass 7-1/2 hp 480 V, TYPE 3R, N2/XT/SA Bus	11
VS007432A-NP300	VSD ByPass 7-1/2 hp 480 V, TYPE 3R, N2/XT/SA Bus, Fuse	11
VS007432A-NP3SA	VSD ByPass 7-1/2 hp 480 V, TYPE 3R, N2/XT/SA Bus, Fuse, Space Heater	11
VS007432A-NP600	VSD ByPass 7-1/2 hp 480 V, TYPE 3R, N2/XT/SA Bus, 3rd Contactor	11
VS007432A-NP6SA	VSD ByPass 7-1/2 hp 480 V, TYPE 3R, N2/XT/SA Bus, 3rd Contactor, Space Heater	11
VS007432A-NP900	VSD ByPass 7-1/2 hp 480 V, TYPE 3R, N2/XT/SA Bus, Fuse, 3rd Contactor	11
VS007432A-NP9SA	VSD ByPass 7-1/2 hp 480 V, TYPE 3R, N2/XT/SA Bus, Fuse, 3rd Contactor, Space Heater	11
VS007432A-B0000	VSD ByPass 7-1/2 hp 480 V, TYPE 3R, MS/TP BACnet	11
VS007432A-BP300	VSD ByPass 7-1/2 hp 480 V, TYPE 3R, MS/TP BACnet, Fuse	11

Table 24: VSD Series 480 V Enclosed IntelliPass Drives - Frame 4 (Part 8 of 8)

Code Number	Description ¹	Current (A) ¹
VS007432A-BP3SA	VSD ByPass 7-1/2 hp 480 V, TYPE 3R, MS/TP BACnet, Fuse, Space Heater	11
VS007432A-BP600	VSD ByPass 7-1/2 hp 480 V, TYPE 3R, MS/TP BACnet, 3rd Contactor	11
VS007432A-BP6SA	VSD ByPass 7-1/2 hp 480 V, TYPE 3R, MS/TP BACnet, 3rd Contactor, Space Heater	11
VS007432A-BP900	VSD ByPass 7-1/2 hp 480 V, TYPE 3R, MS/TP BACnet, Fuse, 3rd Contactor	11
VS007432A-BP9SA	VSD ByPass 7-1/2 hp 480 V, TYPE 3R, MS/TP BACnet, Fuse, 3rd Contactor, Space Heater	11

1. All horsepower and current ratings are Variable Torque (VT).

Table 25: VSD Series 480 V Enclosed IntelliPass Drives - Frame 5 (Part 1 of 5)

Code Number	Description ¹	Current (A) ¹
VS010422A-00000	VSD ByPass 10 hp 480 V, TYPE 12	15
VS010422A-0P300	VSD ByPass 10 hp 480 V, TYPE 12, Fuse	15
VS010422A-0P600	VSD ByPass 10 hp 480 V, TYPE 12, 3rd Contactor	15
VS010422A-0P900	VSD ByPass 10 hp 480 V, V, TYPE 12, Fuse, 3rd Contactor	15
VS010422A-L0000	VSD ByPass 10 hp 480 V, TYPE 12, LON	15
VS010422A-LP300	VSD ByPass 10 hp 480 V, TYPE 12, LON, Fuse	15
VS010422A-LP600	VSD ByPass 10 hp 480 V, TYPE 12, LON, 3rd Contactor	15
VS010422A-LP900	VSD ByPass 10 hp 480 V, TYPE 12, LON, Fuse, 3rd Contactor	15
VS010422A-N0000	VSD ByPass 10 hp 480 V, TYPE 12, N2/XT/SA Bus	15
VS010422A-NP300	VSD ByPass 10 hp 480 V, TYPE 12, N2/XT/SA Bus, Fuse	15
VS010422A-NP600	VSD ByPass 10 hp 480 V, TYPE 12, N2/XT/SA Bus, 3rd Contactor	15
VS010422A-NP900	VSD ByPass 10 hp 480 V, TYPE 12, N2/XT/SA Bus, Fuse, 3rd Contactor	15
VS010422A-B0000	VSD ByPass 10 hp 480 V, TYPE 12, MS/TP BACnet	15
VS010422A-BP300	VSD ByPass 10 hp 480 V, TYPE 12, MS/TP BACnet, Fuse	15
VS010422A-BP600	VSD ByPass 10 hp 480 V, TYPE 12, MS/TP BACnet, 3rd Contactor	15
VS010422A-BP900	VSD ByPass 10 hp 480 V, TYPE 12, MS/TP BACnet, Fuse, 3rd Contactor	15
VS010432A-00000	VSD ByPass 10 hp 480 V, TYPE 3R	15
VS010432A-0P300	VSD ByPass 10 hp 480 V, TYPE 3R, Fuse	15
VS010432A-0P3SA	VSD ByPass 10 hp 480 V, TYPE 3R, Fuse, Space Heater	15
VS010432A-0P600	VSD ByPass 10 hp 480 V, TYPE 3R, Fuse, 3rd Contactor	15
VS010432A-0P6SA	VSD ByPass 10 hp 480 V, TYPE 3R, Fuse, 3rd Contactor, Space Heater	15
VS010432A-0P900	VSD ByPass 10 hp 480 V, TYPE 3R, Fuse, 3rd Contactor	15
VS010432A-0P9SA	VSD ByPass 10 hp 480 V, TYPE 3R, Fuse, 3rd Contactor, Space Heater	15
VS010432A-L0000	VSD ByPass 10 hp 480 V, TYPE 3R, LON	15
VS010432A-LP300	VSD ByPass 10 hp 480 V, TYPE 3R, LON, Fuse	15

Table 25: VSD Series 480 V Enclosed IntelliPass Drives - Frame 5 (Part 2 of 5)

Code Number	Description¹	Current (A)¹
VS010432A-LP3SA	VSD ByPass 10 hp 480 V, TYPE 3R, LON, Fuse, Space Heater	15
VS010432A-LP600	VSD ByPass 10 hp 480 V, TYPE 3R, LON, 3rd Contactor	15
VS010432A-LP6SA	VSD ByPass 10 hp 480 V, TYPE 3R, LON, 3rd Contactor, Space Heater	15
VS010432A-LP900	VSD ByPass 10 hp 480 V, TYPE 3R, LON, Fuse, 3rd Contactor	15
VS010432A-LP9SA	VSD ByPass 10 hp 480 V, TYPE 3R, LON, Fuse, 3rd Contactor, Space Heater	15
VS010432A-N0000	VSD ByPass 10 hp 480 V, TYPE 3R, N2/XT/SA Bus	15
VS010432A-NP300	VSD ByPass 10 hp 480 V, TYPE 3R, N2/XT/SA Bus, Fuse	15
VS010432A-NP3SA	VSD ByPass 10 hp 480 V, TYPE 3R, N2/XT/SA Bus, Fuse, Space Heater	15
VS010432A-NP600	VSD ByPass 10 hp 480 V, TYPE 3R, N2/XT/SA Bus, 3rd Contactor	15
VS010432A-NP6SA	VSD ByPass 10 hp 480 V, TYPE 3R, N2/XT/SA Bus, 3rd Contactor, Space Heater	15
VS010432A-NP900	VSD ByPass 10 hp 480 V, TYPE 3R, N2/XT/SA Bus, Fuse, 3rd Contactor	15
VS010432A-NP9SA	VSD ByPass 10 hp 480 V, TYPE 3R, N2/XT/SA Bus, Fuse, 3rd Contactor, Space Heater	15
VS010432A-B0000	VSD ByPass 10 hp 480 V, TYPE 3R, MS/TP BACnet	15
VS010432A-BP300	VSD ByPass 10 hp 480 V, TYPE 3R, MS/TP BACnet, Fuse	15
VS010432A-BP3SA	VSD ByPass 10 hp 480 V, TYPE 3R, MS/TP BACnet, Fuse, Space Heater	15
VS010432A-BP600	VSD ByPass 10 hp 480 V, TYPE 3R, MS/TP BACnet, 3rd Contactor	15
VS010432A-BP6SA	VSD ByPass 10 hp 480 V, TYPE 3R, MS/TP BACnet, 3rd Contactor, Space Heater	15
VS010432A-BP900	VSD ByPass 10 hp 480 V, TYPE 3R, MS/TP BACnet, Fuse, 3rd Contactor	15
VS010432A-BP9SA	VSD ByPass 10 hp 480 V, TYPE 3R, MS/TP BACnet, Fuse, 3rd Contactor, Space Heater	15
VS015422A-00000	VSD ByPass 15 hp 480 V, TYPE 12	21
VS015422A-0P300	VSD ByPass 15 hp 480 V, TYPE 12, Fuse	21
VS015422A-0P600	VSD ByPass 15 hp 480 V, TYPE 12, 3rd Contactor	21
VS015422A-0P900	VSD ByPass 15 hp 480 V, TYPE 12, Fuse, 3rd Contactor	21
VS015422A-L0000	VSD ByPass 15 hp 480 V, TYPE 12, LON	21
VS015422A-LP300	VSD ByPass 15 hp 480 V, TYPE 12, LON, Fuse	21
VS015422A-LP600	VSD ByPass 15 hp 480 V, TYPE 12, LON, 3rd Contactor	21
VS015422A-LP900	VSD ByPass 15 hp 480 V, TYPE 12, LON, Fuse, 3rd Contactor	21
VS015422A-N0000	VSD ByPass 15 hp 480 V, TYPE 12, N2/XT/SA Bus	21
VS015422A-NP300	VSD ByPass 15 hp 480 V, TYPE 12, N2/XT/SA Bus, Fuse	21
VS015422A-NP600	VSD ByPass 15 hp 480 V, TYPE 12, N2/XT/SA Bus, 3rd Contactor	21
VS015422A-NP900	VSD ByPass 15 hp 480 V, TYPE 12, N2/XT/SA Bus, Fuse, 3rd Contactor	21
VS015422A-B0000	VSD ByPass 15 hp 480 V, TYPE 12, MS/TP BACnet	21
VS015422A-BP300	VSD ByPass 15 hp 480 V, TYPE 12, MS/TP BACnet, Fuse	21

Table 25: VSD Series 480 V Enclosed IntelliPass Drives - Frame 5 (Part 3 of 5)

Code Number	Description¹	Current (A)¹
VS015422A-BP600	VSD ByPass 15 hp 480 V, TYPE 12, MS/TP BACnet, 3rd Contactor	21
VS015422A-BP900	VSD ByPass 15 hp 480 V, TYPE 12, MS/TP BACnet, Fuse, 3rd Contactor	21
VS015432A-00000	VSD ByPass 15 hp 480 V, TYPE 3R	21
VS015432A-0P300	VSD ByPass 15 hp 480 V, TYPE 3R, Fuse	21
VS015432A-0P3SA	VSD ByPass 15 hp 480 V, TYPE 3R, Fuse, Space Heater	21
VS015432A-0P600	VSD ByPass 15 hp 480 V, TYPE 3R, Fuse, 3rd Contactor	21
VS015432A-0P6SA	VSD ByPass 15 hp 480 V, TYPE 3R, Fuse, 3rd Contactor, Space Heater	21
VS015432A-0P900	VSD ByPass 15 hp 480 V, TYPE 3R, Fuse, 3rd Contactor	21
VS015432A-0P9SA	VSD ByPass 15 hp 480 V, TYPE 3R, Fuse, 3rd Contactor, Space Heater	21
VS015432A-L0000	VSD ByPass 15 hp 480 V, TYPE 3R, LON	21
VS015432A-LP300	VSD ByPass 15 hp 480 V, TYPE 3R, LON, Fuse	21
VS015432A-LP3SA	VSD ByPass 15 hp 480 V, TYPE 3R, LON, Fuse, Space Heater	21
VS015432A-LP600	VSD ByPass 15 hp 480 V, TYPE 3R, LON, 3rd Contactor	21
VS015432A-LP6SA	VSD ByPass 15 hp 480 V, TYPE 3R, LON, 3rd Contactor, Space Heater	21
VS015432A-LP900	VSD ByPass 15 hp 480 V, TYPE 3R, LON, Fuse, 3rd Contactor	21
VS015432A-LP9SA	VSD ByPass 15 hp 480 V, TYPE 3R, LON, Fuse, 3rd Contactor, Space Heater	21
VS015432A-N0000	VSD ByPass 15 hp 480 V, TYPE 3R, N2/XT/SA Bus	21
VS015432A-NP300	VSD ByPass 15 hp 480 V, TYPE 3R, N2/XT/SA Bus, Fuse	21
VS015432A-NP3SA	VSD ByPass 15 hp 480 V, TYPE 3R, N2/XT/SA Bus, Fuse, Space Heater	21
VS015432A-NP600	VSD ByPass 15 hp 480 V, TYPE 3R, N2/XT/SA Bus, 3rd 3rd Contactor	21
VS015432A-NP6SA	VSD ByPass 15 hp 480 V, TYPE 3R, N2/XT/SA Bus, 3rd Contactor, Space Heater	21
VS015432A-NP900	VSD ByPass 15 hp 480 V, TYPE 3R, N2/XT/SA Bus, Fuse, 3rd Contactor	21
VS015432A-NP9SA	VSD ByPass 15 hp 480 V, TYPE 3R, N2/XT/SA Bus, Fuse, 3rd Contactor, Space Heater	21
VS015432A-B0000	VSD ByPass 15 hp 480 V, TYPE 3R, MS/TP BACnet	21
VS015432A-BP300	VSD ByPass 15 hp 480 V, TYPE 3R, MS/TP BACnet, Fuse	21
VS015432A-BP3SA	VSD ByPass 15 hp 480 V, TYPE 3R, MS/TP BACnet, Fuse, Space Heater	21
VS015432A-BP600	VSD ByPass 15 hp 480 V, TYPE 3R, MS/TP BACnet, 3rd Contactor	21
VS015432A-BP6SA	VSD ByPass 15 hp 480 V, TYPE 3R, MS/TP BACnet, 3rd Contactor, Space Heater	21
VS015432A-BP900	VSD ByPass 15 hp 480 V, TYPE 3R, MS/TP BACnet, Fuse, 3rd Contactor	21
VS015432A-BP9SA	VSD ByPass 15 hp 480 V, TYPE 3R, MS/TP BACnet, Fuse, 3rd Contactor, Space Heater	21
VS020422A-00000	VSD ByPass 20 hp 480 V, TYPE 12	27
VS020422A-0P300	VSD ByPass 20 hp 480 V, TYPE 12, Fuse	27

Table 25: VSD Series 480 V Enclosed IntelliPass Drives - Frame 5 (Part 4 of 5)

Code Number	Description ¹	Current (A) ¹
VS020422A-0P600	VSD ByPass 20 hp 480 V, TYPE 12, 3rd Contactor	27
VS020422A-0P900	VSD ByPass 20 hp 480 V, TYPE 12, Fuse, 3rd Contactor	27
VS020422A-L0000	VSD ByPass 20 hp 480 V, TYPE 12, LON	27
VS020422A-LP300	VSD ByPass 20 hp 480 V, TYPE 12, LON, Fuse	27
VS020422A-LP600	VSD ByPass 20 hp 480 V, TYPE 12, LON, 3rd Contactor	27
VS020422A-LP900	VSD ByPass 20 hp 480 V, TYPE 12, LON, Fuse, 3rd Contactor	27
VS020422A-N0000	VSD ByPass 20 hp 480 V, TYPE 12, N2/XT/SA Bus	27
VS020422A-NP300	VSD ByPass 20 hp 480 V, TYPE 12, N2/XT/SA Bus, Fuse	27
VS020422A-NP600	VSD ByPass 20 hp 480 V, TYPE 12, N2/XT/SA Bus, 3rd Contactor	27
VS020422A-NP900	VSD ByPass 20 hp 480 V, TYPE 12, N2/XT/SA Bus, Fuse, 3rd Contactor	27
VS020422A-B0000	VSD ByPass 20 hp 480 V, TYPE 12, MS/TP BACnet	27
VS020422A-BP300	VSD ByPass 20 hp 480 V, TYPE 12, MS/TP BACnet, Fuse	27
VS020422A-BP600	VSD ByPass 20 hp 480 V, TYPE 12, MS/TP BACnet, 3rd Contactor	27
VS020422A-BP900	VSD ByPass 20 hp 480 V, TYPE 12, MS/TP BACnet, Fuse, 3rd Contactor	27
VS020432A-00000	VSD ByPass 20 hp 480 V, TYPE 3R	27
VS020432A-0P300	VSD ByPass 20 hp 480 V, TYPE 3R, Fuse	27
VS020432A-0P3SA	VSD ByPass 20 hp 480 V, TYPE 3R, Fuse, Space Heater	27
VS020432A-0P600	VSD ByPass 20 hp 480 V, TYPE 3R, Fuse, 3rd Contactor	27
VS020432A-0P6SA	VSD ByPass 20 hp 480 V, TYPE 3R, Fuse, 3rd Contactor, Space Heater	27
VS020432A-0P900	VSD ByPass 20 hp 480 V, TYPE 3R, Fuse, 3rd Contactor	27
VS020432A-0P9SA	VSD ByPass 20 hp 480 V, TYPE 3R, Fuse, 3rd Contactor, Space Heater	27
VS020432A-L0000	VSD ByPass 20 hp 480 V, TYPE 3R, LON	27
VS020432A-LP300	VSD ByPass 20 hp 480 V, TYPE 3R, LON, Fuse	27
VS020432A-LP3SA	VSD ByPass 20 hp 480 V, TYPE 3R, LON, Fuse, Space Heater	27
VS020432A-LP600	VSD ByPass 20 hp 480 V, TYPE 3R, LON, 3rd Contactor	27
VS020432A-LP6SA	VSD ByPass 20 hp 480 V, TYPE 3R, LON, 3rd Contactor, Space Heater	27
VS020432A-LP900	VSD ByPass 20 hp 480 V, TYPE 3R, LON, Fuse, 3rd Contactor	27
VS020432A-LP9SA	VSD ByPass 20 hp 480 V, TYPE 3R, LON, Fuse, 3rd Contactor, Space Heater	27
VS020432A-N0000	VSD ByPass 20 hp 480 V, TYPE 3R, N2/XT/SA Bus	27
VS020432A-NP300	VSD ByPass 20 hp 480 V, TYPE 3R, N2/XT/SA Bus, Fuse	27
VS020432A-NP3SA	VSD ByPass 20 hp 480 V, TYPE 3R, N2/XT/SA Bus, Fuse, Space Heater	27
VS020432A-NP600	VSD ByPass 20 hp 480 V, TYPE 3R, N2/XT/SA Bus, 3rd Contactor	27
VS020432A-NP6SA	VSD ByPass 20 hp 480 V, TYPE 3R, N2/XT/SA Bus, 3rd Contactor, Space Heater	27
VS020432A-NP900	VSD ByPass 20 hp 480 V, TYPE 3R, N2/XT/SA Bus, Fuse, 3rd Contactor	27

Table 25: VSD Series 480 V Enclosed IntelliPass Drives - Frame 5 (Part 5 of 5)

Code Number	Description ¹	Current (A) ¹
VS020432A-NP9SA	VSD ByPass 20 hp 480 V, TYPE 3R, N2/XT/SA Bus, Fuse, 3rd Contactor, Space Heater	27
VS020432A-B0000	VSD ByPass 20 hp 480 V, TYPE 3R, MS/TP BACnet	27
VS020432A-BP300	VSD ByPass 20 hp 480 V, TYPE 3R, MS/TP BACnet, Fuse	27
VS020432A-BP3SA	VSD ByPass 20 hp 480 V, TYPE 3R, MS/TP BACnet, Fuse, Space Heater	27
VS020432A-BP600	VSD ByPass 20 hp 480 V, TYPE 3R, MS/TP BACnet, 3rd Contactor	27
VS020432A-BP6SA	VSD ByPass 20 hp 480 V, TYPE 3R, MS/TP BACnet, 3rd Contactor, Space Heater	27
VS020432A-BP900	VSD ByPass 20 hp 480 V, TYPE 3R, MS/TP BACnet, Fuse, 3rd Contactor	27
VS020432A-BP9SA	VSD ByPass 20 hp 480 V, TYPE 3R, MS/TP BACnet, Fuse, 3rd Contactor, Space Heater	27

1. All horsepower and current ratings are Variable Torque (VT).

Table 26: VSD Series 480 V Enclosed IntelliPass Drives - Frame 6 (Part 1 of 5)

Code Number	Description ¹	Current (A) ¹
VS025422A-00000	VSD ByPass 25 hp 480 V, TYPE 12	34
VS025422A-0P300	VSD ByPass 25 hp 480 V, TYPE 12, Fuse	34
VS025422A-0P600	VSD ByPass 25 hp 480 V, TYPE 12, 3rd Contactor	34
VS025422A-0P900	VSD ByPass 25 hp 480 V, TYPE 12, Fuse, 3rd Contactor	34
VS025422A-L0000	VSD ByPass 25 hp 480 V, TYPE 12, LON	34
VS025422A-LP300	VSD ByPass 25 hp 480 V, TYPE 12, LON, Fuse	34
VS025422A-LP600	VSD ByPass 25 hp 480 V, TYPE 12, LON, 3rd Contactor	34
VS025422A-LP900	VSD ByPass 25 hp 480 V, TYPE 12, LON, Fuse, 3rd Contactor	34
VS025422A-N0000	VSD ByPass 25 hp 480 V, TYPE 12, N2/XT/SA Bus	34
VS025422A-NP300	VSD ByPass 25 hp 480 V, TYPE 12, N2/XT/SA Bus, Fuse	34
VS025422A-NP600	VSD ByPass 25 hp 480 V, TYPE 12, N2/XT/SA Bus, 3rd Contactor	34
VS025422A-NP900	VSD ByPass 25 hp 480 V, TYPE 12, N2/XT/SA Bus, Fuse, 3rd Contactor	34
VS025422A-B0000	VSD ByPass 25 hp 480 V, TYPE 12, MS/TP BACnet	34
VS025422A-BP300	VSD ByPass 25 hp 480 V, TYPE 12, MS/TP BACnet, Fuse	34
VS025422A-BP600	VSD ByPass 25 hp 480 V, TYPE 12, MS/TP BACnet, 3rd Contactor	34
VS025422A-BP900	VSD ByPass 25 hp 480 V, TYPE 12, MS/TP BACnet, Fuse, 3rd Contactor	34
VS025432A-00000	VSD ByPass 25 hp 480 V, TYPE 3R	34
VS025432A-0P300	VSD ByPass 25 hp 480 V, TYPE 3R, Fuse	34
VS025432A-0P3SA	VSD ByPass 25 hp 480 V, TYPE 3R, Fuse, Space Heater	34
VS025432A-0P600	VSD ByPass 25 hp 480 V, TYPE 3R, Fuse, 3rd Contactor	34
VS025432A-0P6SA	VSD ByPass 25 hp 480 V, TYPE 3R, Fuse, 3rd Contactor, Space Heater	34
VS025432A-0P900	VSD ByPass 25 hp 480 V, TYPE 3R, Fuse, 3rd Contactor	34

Table 26: VSD Series 480 V Enclosed IntelliPass Drives - Frame 6 (Part 2 of 5)

Code Number	Description¹	Current (A)¹
VS025432A-0P9SA	VSD ByPass 25 hp 480 V, TYPE 3R, Fuse, 3rd Contactor, Space Heater	34
VS025432A-L0000	VSD ByPass 25 hp 480 V, TYPE 3R, LON	34
VS025432A-LP300	VSD ByPass 25 hp 480 V, TYPE 3R, LON, Fuse	34
VS025432A-LP3SA	VSD ByPass 25 hp 480 V, TYPE 3R, LON, Fuse, Space Heater	34
VS025432A-LP600	VSD ByPass 25 hp 480 V, TYPE 3R, LON, 3rd Contactor	34
VS025432A-LP6SA	VSD ByPass 25 hp 480 V, TYPE 3R, LON, 3rd Contactor, Space Heater	34
VS025432A-LP900	VSD ByPass 25 hp 480 V, TYPE 3R, LON, Fuse, 3rd Contactor	34
VS025432A-LP9SA	VSD ByPass 25 hp 480 V, TYPE 3R, LON, Fuse, 3rd Contactor, Space Heater	34
VS025432A-N0000	VSD ByPass 25 hp 480 V, TYPE 3R, N2/XT/SA Bus	34
VS025432A-NP300	VSD ByPass 25 hp 480 V, TYPE 3R, N2/XT/SA Bus, Fuse	34
VS025432A-NP3SA	VSD ByPass 25 hp 480 V, TYPE 3R, N2/XT/SA Bus, Fuse, Space Heater	34
VS025432A-NP600	VSD ByPass 25 hp 480 V, TYPE 3R, N2/XT/SA Bus, 3rd 3rd Contactor	34
VS025432A-NP6SA	VSD ByPass 25 hp 480 V, TYPE 3R, N2/XT/SA Bus, 3rd Contactor, Space Heater	34
VS025432A-NP900	VSD ByPass 25 hp 480 V, TYPE 3R, N2/XT/SA Bus, Fuse, 3rd Contactor	34
VS025432A-NP9SA	VSD ByPass 25 hp 480 V, TYPE 3R, N2/XT/SA Bus, Fuse, 3rd Contactor, Space Heater	34
VS025432A-B0000	VSD ByPass 25 hp 480 V, TYPE 3R, MS/TP BACnet	34
VS025432A-BP300	VSD ByPass 25 hp 480 V, TYPE 3R, MS/TP BACnet, Fuse	34
VS025432A-BP3SA	VSD ByPass 25 hp 480 V, TYPE 3R, MS/TP BACnet, Fuse, Space Heater	34
VS025432A-BP600	VSD ByPass 25 hp 480 V, TYPE 3R, MS/TP BACnet, 3rd Contactor	34
VS025432A-BP6SA	VSD ByPass 25 hp 480 V, TYPE 3R, MS/TP BACnet, 3rd Contactor, Space Heater	34
VS025432A-BP900	VSD ByPass 25 hp 480 V, TYPE 3R, MS/TP BACnet, Fuse, 3rd Contactor	34
VS025432A-BP9SA	VSD ByPass 25 hp 480 V, TYPE 3R, MS/TP BACnet, Fuse, 3rd Contactor, Space Heater	34
VS030422A-00000	VSD ByPass 30 hp 480 V, TYPE 12	40
VS030422A-0P300	VSD ByPass 30 hp 480 V, TYPE 12, Fuse	40
VS030422A-0P600	VSD ByPass 30 hp 480 V, TYPE 12, 3rd Contactor	40
VS030422A-0P900	VSD ByPass 30 hp 480 V, TYPE 12, Fuse, 3rd Contactor	40
VS030422A-L0000	VSD ByPass 30 hp 480 V, TYPE 12, LON	40
VS030422A-LP300	VSD ByPass 30 hp 480 V, TYPE 12, LON, Fuse	40
VS030422A-LP600	VSD ByPass 30 hp 480 V, TYPE 12, LON, 3rd Contactor	40
VS030422A-LP900	VSD ByPass 30 hp 480 V, TYPE 12, LON, Fuse, 3rd Contactor	40
VS030422A-N0000	VSD ByPass 30 hp 480 V, TYPE 12, N2/XT/SA Bus	40
VS030422A-NP300	VSD ByPass 30 hp 480 V, TYPE 12, N2/XT/SA Bus, Fuse	40
VS030422A-NP600	VSD ByPass 30 hp 480 V, TYPE 12, N2/XT/SA Bus, 3rd Contactor	40

Table 26: VSD Series 480 V Enclosed IntelliPass Drives - Frame 6 (Part 3 of 5)

Code Number	Description¹	Current (A)¹
VS030422A-NP900	VSD ByPass 30 hp 480 V, TYPE 12, N2/XT/SA Bus, Fuse, 3rd Contactor	40
VS030422A-B0000	VSD ByPass 30 hp 480 V, TYPE 12, MS/TP BACnet	40
VS030422A-BP300	VSD ByPass 30 hp 480 V, TYPE 12, MS/TP BACnet, Fuse	40
VS030422A-BP600	VSD ByPass 30 hp 480 V, TYPE 12, MS/TP BACnet, 3rd Contactor	40
VS030422A-BP900	VSD ByPass 30 hp 480 V, TYPE 12, MS/TP BACnet, Fuse, 3rd Contactor	40
VS030432A-00000	VSD ByPass 30 hp 480 V, TYPE 3R	40
VS030432A-0P300	VSD ByPass 30 hp 480 V, TYPE 3R, Fuse	40
VS030432A-0P3SA	VSD ByPass 30 hp 480 V, TYPE 3R, Fuse, Space Heater	40
VS030432A-0P600	VSD ByPass 30 hp 480 V, TYPE 3R, Fuse, 3rd Contactor	40
VS030432A-0P6SA	VSD ByPass 30 hp 480 V, TYPE 3R, Fuse, 3rd Contactor, Space Heater	40
VS030432A-0P900	VSD ByPass 30 hp 480 V, TYPE 3R, Fuse, 3rd Contactor	40
VS030432A-0P9SA	VSD ByPass 30 hp 480 V, TYPE 3R, Fuse, 3rd Contactor, Space Heater	40
VS030432A-L0000	VSD ByPass 30 hp 480 V, TYPE 3R, LON	40
VS030432A-LP300	VSD ByPass 30 hp 480 V, TYPE 3R, LON, Fuse	40
VS030432A-LP3SA	VSD ByPass 30 hp 480 V, TYPE 3R, LON, Fuse, Space Heater	40
VS030432A-LP600	VSD ByPass 30 hp 480 V, TYPE 3R, LON, 3rd Contactor	40
VS030432A-LP6SA	VSD ByPass 30 hp 480 V, TYPE 3R, LON, 3rd Contactor, Space Heater	40
VS030432A-LP900	VSD ByPass 30 hp 480 V, TYPE 3R, LON, Fuse, 3rd Contactor	40
VS030432A-LP9SA	VSD ByPass 30 hp 480 V, TYPE 3R, LON, Fuse, 3rd Contactor, Space Heater	40
VS030432A-N0000	VSD ByPass 30 hp 480 V, TYPE 3R, N2/XT/SA Bus	40
VS030432A-NP300	VSD ByPass 30 hp 480 V, TYPE 3R, N2/XT/SA Bus, Fuse	40
VS030432A-NP3SA	VSD ByPass 30 hp 480 V, TYPE 3R, N2/XT/SA Bus, Fuse, Space Heater	40
VS030432A-NP600	VSD ByPass 30 hp 480 V, TYPE 3R, N2/XT/SA Bus, 3rd Contactor	40
VS030432A-NP6SA	VSD ByPass 30 hp 480 V, TYPE 3R, N2/XT/SA Bus, 3rd Contactor, Space Heater	40
VS030432A-NP900	VSD ByPass 30 hp 480 V, TYPE 3R, N2/XT/SA Bus, Fuse, 3rd Contactor	40
VS030432A-NP9SA	VSD ByPass 30 hp 480 V, TYPE 3R, N2/XT/SA Bus, Fuse, 3rd Contactor, Space Heater	40
VS030432A-B0000	VSD ByPass 30 hp 480 V, TYPE 3R, MS/TP BACnet	40
VS030432A-BP300	VSD ByPass 30 hp 480 V, TYPE 3R, MS/TP BACnet, Fuse	40
VS030432A-BP3SA	VSD ByPass 30 hp 480 V, TYPE 3R, MS/TP BACnet, Fuse, Space Heater	40
VS030432A-BP600	VSD ByPass 30 hp 480 V, TYPE 3R, MS/TP BACnet, 3rd Contactor	40
VS030432A-BP6SA	VSD ByPass 30 hp 480 V, TYPE 3R, MS/TP BACnet, 3rd Contactor, Space Heater	40
VS030432A-BP900	VSD ByPass 30 hp 480 V, TYPE 3R, MS/TP BACnet, Fuse, 3rd Contactor	40

Table 26: VSD Series 480 V Enclosed IntelliPass Drives - Frame 6 (Part 4 of 5)

Code Number	Description¹	Current (A)¹
VS030432A-BP9SA	VSD ByPass 30 hp 480 V, TYPE 3R, MS/TP BACnet, Fuse, 3rd Contactor, Space Heater	40
VS040422A-00000	VSD ByPass 40 hp 480 V, TYPE 12	52
VS040422A-0P300	VSD ByPass 40 hp 480 V, TYPE 12, Fuse	52
VS040422A-0P600	VSD ByPass 40 hp 480 V, TYPE 12, 3rd Contactor	52
VS040422A-0P900	VSD ByPass 40 hp 480 V, TYPE 12, Fuse, 3rd Contactor	52
VS040422A-L0000	VSD ByPass 40 hp 480 V, TYPE 12, LON	52
VS040422A-LP300	VSD ByPass 40 hp 480 V, TYPE 12, LON, Fuse	52
VS040422A-LP600	VSD ByPass 40 hp 480 V, TYPE 12, LON, 3rd Contactor	52
VS040422A-LP900	VSD ByPass 40 hp 480 V, TYPE 12, LON, Fuse, 3rd Contactor	52
VS040422A-N0000	VSD ByPass 40 hp 480 V, TYPE 12, N2/XT/SA Bus	52
VS040422A-NP300	VSD ByPass 40 hp 480 V, TYPE 12, N2/XT/SA Bus, Fuse	52
VS040422A-NP600	VSD ByPass 40 hp 480 V, TYPE 12, N2/XT/SA Bus, 3rd Contactor	52
VS040422A-NP900	VSD ByPass 40 hp 480 V, TYPE 12, N2/XT/SA Bus, Fuse, 3rd Contactor	52
VS040422A-B0000	VSD ByPass 40 hp 480 V, TYPE 12, MS/TP BACnet	52
VS040422A-BP300	VSD ByPass 40 hp 480 V, TYPE 12, MS/TP BACnet, Fuse	52
VS040422A-BP600	VSD ByPass 40 hp 480 V, TYPE 12, MS/TP BACnet, 3rd Contactor	52
VS040422A-BP900	VSD ByPass 40 hp 480 V, TYPE 12, MS/TP BACnet, Fuse, 3rd Contactor	52
VS040432A-00000	VSD ByPass 40 hp 480 V, TYPE 3R	52
VS040432A-0P300	VSD ByPass 40 hp 480 V, TYPE 3R, Fuse	52
VS040432A-0P3SA	VSD ByPass 40 hp 480 V, TYPE 3R, Fuse, Space Heater	52
VS040432A-0P600	VSD ByPass 40 hp 480 V, TYPE 3R, Fuse, 3rd Contactor	52
VS040432A-0P6SA	VSD ByPass 40 hp 480 V, TYPE 3R, Fuse, 3rd Contactor, Space Heater	52
VS040432A-0P900	VSD ByPass 40 hp 480 V, TYPE 3R, Fuse, 3rd Contactor	52
VS040432A-0P9SA	VSD ByPass 40 hp 480 V, TYPE 3R, Fuse, 3rd Contactor, Space Heater	52
VS040432A-L0000	VSD ByPass 40 hp 480 V, TYPE 3R, LON	52
VS040432A-LP300	VSD ByPass 40 hp 480 V, TYPE 3R, LON, Fuse	52
VS040432A-LP3SA	VSD ByPass 40 hp 480 V, TYPE 3R, LON, Fuse, Space Heater	52
VS040432A-LP600	VSD ByPass 40 hp 480 V, TYPE 3R, LON, 3rd Contactor	52
VS040432A-LP6SA	VSD ByPass 40 hp 480 V, TYPE 3R, LON, 3rd Contactor, Space Heater	52
VS040432A-LP900	VSD ByPass 40 hp 480 V, TYPE 3R, LON, Fuse, 3rd Contactor	52
VS040432A-LP9SA	VSD ByPass 40 hp 480 V, TYPE 3R, LON, Fuse, 3rd Contactor, Space Heater	52
VS040432A-N0000	VSD ByPass 40 hp 480 V, TYPE 3R, N2/XT/SA Bus	52
VS040432A-NP300	VSD ByPass 40 hp 480 V, TYPE 3R, N2/XT/SA Bus, Fuse	52
VS040432A-NP3SA	VSD ByPass 40 hp 480 V, TYPE 3R, N2/XT/SA Bus, Fuse, Space Heater	52
VS040432A-NP600	VSD ByPass 40 hp 480 V, TYPE 3R, N2/XT/SA Bus, 3rd Contactor	52

Table 26: VSD Series 480 V Enclosed IntelliPass Drives - Frame 6 (Part 5 of 5)

Code Number	Description ¹	Current (A) ¹
VS040432A-NP6SA	VSD ByPass 40 hp 480 V, TYPE 3R, N2/XT/SA Bus, 3rd Contactor, Space Heater	52
VS040432A-NP900	VSD ByPass 40 hp 480 V, TYPE 3R, N2/XT/SA Bus, Fuse, 3rd Contactor	52
VS040432A-NP9SA	VSD ByPass 40 hp 480 V, TYPE 3R, N2/XT/SA Bus, Fuse, 3rd Contactor, Space Heater	52
VS040432A-B0000	VSD ByPass 40 hp 480 V, TYPE 3R, MS/TP BACnet	52
VS040432A-BP300	VSD ByPass 40 hp 480 V, TYPE 3R, MS/TP BACnet, Fuse	52
VS040432A-BP3SA	VSD ByPass 40 hp 480 V, TYPE 3R, MS/TP BACnet, Fuse, Space Heater	52
VS040432A-BP600	VSD ByPass 40 hp 480 V, TYPE 3R, MS/TP BACnet, 3rd Contactor	52
VS040432A-BP6SA	VSD ByPass 40 hp 480 V, TYPE 3R, MS/TP BACnet, 3rd Contactor, Space Heater	52
VS040432A-BP900	VSD ByPass 40 hp 480 V, TYPE 3R, MS/TP BACnet, Fuse, 3rd Contactor	52
VS040432A-BP9SA	VSD ByPass 40 hp 480 V, TYPE 3R, MS/TP BACnet, Fuse, 3rd Contactor, Space Heater	52

1. All horsepower and current ratings are Variable Torque (VT).

Table 27: VSD Series 480 V Enclosed IntelliPass Drives - Frame 7 (Part 1 of 3)

Code Number	Description ¹	Current (A) ¹
VS050422A-00000	VSD ByPass 50 hp 208 V, TYPE 12	65
VS050422A-0P600	VSD ByPass 50 hp 208 V, TYPE 12, 3rd Contactor	65
VS050422A-L0000	VSD ByPass 50 hp 208 V, TYPE 12, LON	65
VS050422A-LP600	VSD ByPass 50 hp 208 V, TYPE 12, LON, 3rd Contactor	65
VS050422A-N0000	VSD ByPass 50 hp 208 V, TYPE 12, N2/XT/SA Bus	65
VS050422A-NP600	VSD ByPass 50 hp 208 V, TYPE 12, N2/XT/SA Bus, 3rd Contactor	65
VS050422A-B0000	VSD ByPass 50 hp 208 V, TYPE 12, MS/TP BACnet	65
VS050422A-BP600	VSD ByPass 50 hp 208 V, TYPE 12, MS/TP BACnet, 3rd Contactor	65
VS050432A-00000	VSD ByPass 50 hp 208 V, TYPE 3R	65
VS050432A-0P600	VSD ByPass 50 hp 208 V, TYPE 3R, Contactor	65
VS050432A-0P6SA	VSD ByPass 50 hp 208 V, TYPE 3R, Contactor, Space Heater	65
VS050432A-L0000	VSD ByPass 50 hp 208 V, TYPE 3R, LON	65
VS050432A-LP600	VSD ByPass 50 hp 208 V, TYPE 3R, LON, 3rd Contactor	65
VS050432A-LP6SA	VSD ByPass 50 hp 208 V, TYPE 3R, LON, 3rd Contactor, Space Heater	65
VS050432A-N0000	VSD ByPass 50 hp 208 V, TYPE 3R, N2/XT/SA Bus	65
VS050432A-NP600	VSD ByPass 50 hp 208 V, TYPE 3R, N2/XT/SA Bus, 3rd Contactor	65
VS050432A-NP6SA	VSD ByPass 50 hp 208 V, TYPE 3R, N2/XT/SA Bus, 3rd Contactor, Space Heater	65
VS050432A-B0000	VSD ByPass 50 hp 208 V, TYPE 3R, MS/TP BACnet	65
VS050432A-BP600	VSD ByPass 50 hp 208 V, TYPE 3R, MS/TP BACnet, 3rd Contactor	65

Table 27: VSD Series 480 V Enclosed IntelliPass Drives - Frame 7 (Part 2 of 3)

Code Number	Description¹	Current (A)¹
VS050432A-BP6SA	VSD ByPass 50 hp 208 V, TYPE 3R, MS/TP BACnet, 3rd Contactor, Space Heater	65
VS060422A-00000	VSD ByPass 60 hp 208 V, TYPE 12	77
VS060422A-0P600	VSD ByPass 60 hp 208 V, TYPE 12, 3rd Contactor	77
VS060422A-L0000	VSD ByPass 60 hp 208 V, TYPE 12, LON	77
VS060422A-LP600	VSD ByPass 60 hp 208 V, TYPE 12, LON, 3rd Contactor	77
VS060422A-N0000	VSD ByPass 60 hp 208 V, TYPE 12, N2/XT/SA Bus	77
VS060422A-NP600	VSD ByPass 60 hp 208 V, TYPE 12, N2/XT/SA Bus, 3rd Contactor	77
VS060422A-B0000	VSD ByPass 60 hp 208 V, TYPE 12, MS/TP BACnet	77
VS060422A-BP600	VSD ByPass 60 hp 208 V, TYPE 12, MS/TP BACnet, 3rd Contactor	77
VS060432A-00000	VSD ByPass 60 hp 208 V, TYPE 3R	77
VS060432A-0P600	VSD ByPass 60 hp 208 V, TYPE 3R, Contactor	77
VS060432A-0P6SA	VSD ByPass 60 hp 208 V, TYPE 3R, Contactor, Space Heater	77
VS060432A-L0000	VSD ByPass 60 hp 208 V, TYPE 3R, LON	77
VS060432A-LP600	VSD ByPass 60 hp 208 V, TYPE 3R, LON, 3rd Contactor	77
VS060432A-LP6SA	VSD ByPass 60 hp 208 V, TYPE 3R, LON, 3rd Contactor, Space Heater	77
VS060432A-N0000	VSD ByPass 60 hp 208 V, TYPE 3R, N2/XT/SA Bus	77
VS060432A-NP600	VSD ByPass 60 hp 208 V, TYPE 3R, N2/XT/SA Bus, 3rd Contactor	77
VS060432A-NP6SA	VSD ByPass 60 hp 208 V, TYPE 3R, N2/XT/SA Bus, 3rd Contactor, Space Heater	77
VS060432A-B0000	VSD ByPass 60 hp 208 V, TYPE 3R, MS/TP BACnet	77
VS060432A-BP600	VSD ByPass 60 hp 208 V, TYPE 3R, MS/TP BACnet, 3rd Contactor	77
VS060432A-BP6SA	VSD ByPass 60 hp 208 V, TYPE 3R, MS/TP BACnet, 3rd Contactor, Space Heater	77
VS075422A-00000	VSD ByPass 75 hp 208 V, TYPE 12	96
VS075422A-0P600	VSD ByPass 75 hp 208 V, TYPE 12, 3rd Contactor	96
VS075422A-L0000	VSD ByPass 75 hp 208 V, TYPE 12, LON	96
VS075422A-LP600	VSD ByPass 75 hp 208 V, TYPE 12, LON, 3rd Contactor	96
VS075422A-N0000	VSD ByPass 75 hp 208 V, TYPE 12, N2/XT/SA Bus	96
VS075422A-NP600	VSD ByPass 75 hp 208 V, TYPE 12, N2/XT/SA Bus, 3rd Contactor	96
VS075422A-B0000	VSD ByPass 75 hp 208 V, TYPE 12, MS/TP BACnet	96
VS075422A-BP600	VSD ByPass 75 hp 208 V, TYPE 12, MS/TP BACnet, 3rd Contactor	96
VS075432A-00000	VSD ByPass 75 hp 208 V, TYPE 3R	96
VS075432A-0P600	VSD ByPass 75 hp 208 V, TYPE 3R, Contactor	96
VS075432A-0P6SA	VSD ByPass 75 hp 208 V, TYPE 3R, Contactor, Space Heater	96
VS075432A-L0000	VSD ByPass 75 hp 208 V, TYPE 3R, LON	96
VS075432A-LP600	VSD ByPass 75 hp 208 V, TYPE 3R, LON, 3rd Contactor	96
VS075432A-LP6SA	VSD ByPass 75 hp 208 V, TYPE 3R, LON, 3rd Contactor, Space Heater	96
VS075432A-N0000	VSD ByPass 75 hp 208 V, TYPE 3R, N2/XT/SA Bus	96

Table 27: VSD Series 480 V Enclosed IntelliPass Drives - Frame 7 (Part 3 of 3)

Code Number	Description ¹	Current (A) ¹
VS075432A-NP600	VSD ByPass 75 hp 208 V, TYPE 3R, N2/XT/SA Bus, 3rd Contactor	96
VS075432A-NP6SA	VSD ByPass 75 hp 208 V, TYPE 3R, N2/XT/SA Bus, 3rd Contactor, Space Heater	96
VS075432A-B0000	VSD ByPass 75 hp 208 V, TYPE 3R, MS/TP BACnet	96
VS075432A-BP600	VSD ByPass 75 hp 208 V, TYPE 3R, MS/TP BACnet, 3rd Contactor	96
VS075432A-BP6SA	VSD ByPass 75 hp 208 V, TYPE 3R, MS/TP BACnet, 3rd Contactor, Space Heater	96

1. All horsepower and current ratings are Variable Torque (VT).

Table 28: VSD Series 480 V Enclosed IntelliPass Drives - Frame 8 (Part 1 of 2)

Code Number	Description ¹	Current (A) ¹
VS100422A-00000	VSD ByPass 100 hp 208 V, TYPE 12	124
VS100422A-0P600	VSD ByPass 100 hp 208 V, TYPE 12, 3rd Contactor	124
VS100422A-L0000	VSD ByPass 100 hp 208 V, TYPE 12, LON	124
VS100422A-LP600	VSD ByPass 100 hp 208 V, TYPE 12, LON, 3rd Contactor	124
VS100422A-N0000	VSD ByPass 100 hp 208 V, TYPE 12, N2/XT/SA Bus	124
VS100422A-NP600	VSD ByPass 100 hp 208 V, TYPE 12, N2/XT/SA Bus, 3rd Contactor	124
VS100422A-B0000	VSD ByPass 100 hp 208 V, TYPE 12, MS/TP BACnet	124
VS100422A-BP600	VSD ByPass 100 hp 208 V, TYPE 12, MS/TP BACnet, 3rd Contactor	124
VS100432A-00000	VSD ByPass 100 hp 208 V, TYPE 3R	124
VS100432A-0P600	VSD ByPass 100 hp 208 V, TYPE 3R, Contactor	124
VS100432A-0P6SA	VSD ByPass 100 hp 208 V, TYPE 3R, Contactor, Space Heater	124
VS100432A-L0000	VSD ByPass 100 hp 208 V, TYPE 3R, LON	124
VS100432A-LP600	VSD ByPass 100 hp 208 V, TYPE 3R, LON, 3rd Contactor	124
VS100432A-LP6SA	VSD ByPass 100 hp 208 V, TYPE 3R, LON, 3rd Contactor, Space Heater	124
VS100432A-N0000	VSD ByPass 100 hp 208 V, TYPE 3R, N2/XT/SA Bus	124
VS100432A-NP600	VSD ByPass 100 hp 208 V, TYPE 3R, N2/XT/SA Bus, 3rd Contactor	124
VS100432A-NP6SA	VSD ByPass 100 hp 208 V, TYPE 3R, N2/XT/SA Bus, 3rd Contactor, Space Heater	124
VS100432A-B0000	VSD ByPass 100 hp 208 V, TYPE 3R, MS/TP BACnet	124
VS100432A-BP600	VSD ByPass 100 hp 208 V, TYPE 3R, MS/TP BACnet, 3rd Contactor	124
VS100432A-BP6SA	VSD ByPass 100 hp 208 V, TYPE 3R, MS/TP BACnet, 3rd Contactor, Space Heater	124
VS125422A-00000	VSD ByPass 125 hp 208 V, TYPE 12	156
VS125422A-0P600	VSD ByPass 125 hp 208 V, TYPE 12, 3rd Contactor	156
VS125422A-L0000	VSD ByPass 125 hp 208 V, TYPE 12, LON	156
VS125422A-LP600	VSD ByPass 125 hp 208 V, TYPE 12, LON, 3rd Contactor	156
VS125422A-N0000	VSD ByPass 125 hp 208 V, TYPE 12, N2/XT/SA Bus	156
VS125422A-NP600	VSD ByPass 125 hp 208 V, TYPE 12, N2/XT/SA Bus, 3rd Contactor	156

Table 28: VSD Series 480 V Enclosed IntelliPass Drives - Frame 8 (Part 2 of 2)

Code Number	Description ¹	Current (A) ¹
VS125422A-B0000	VSD ByPass 125 hp 208 V, TYPE 12, MS/TP BACnet	156
VS125422A-BP600	VSD ByPass 125 hp 208 V, TYPE 12, MS/TP BACnet, 3rd Contactor	156
VS125432A-00000	VSD ByPass 125 hp 208 V, TYPE 3R	156
VS125432A-0P600	VSD ByPass 125 hp 208 V, TYPE 3R, Contactor	156
VS125432A-0P6SA	VSD ByPass 125 hp 208 V, TYPE 3R, Contactor, Space Heater	156
VS125432A-L0000	VSD ByPass 125 hp 208 V, TYPE 3R, LON	156
VS125432A-LP600	VSD ByPass 125 hp 208 V, TYPE 3R, LON, 3rd Contactor	156
VS125432A-LP6SA	VSD ByPass 125 hp 208 V, TYPE 3R, LON, 3rd Contactor, Space Heater	156
VS125432A-N0000	VSD ByPass 125 hp 208 V, TYPE 3R, N2/XT/SA Bus	156
VS125432A-NP600	VSD ByPass 125 hp 208 V, TYPE 3R, N2/XT/SA Bus, 3rd Contactor	156
VS125432A-NP6SA	VSD ByPass 125 hp 208 V, TYPE 3R, N2/XT/SA Bus, 3rd Contactor, Space Heater	156
VS125432A-B0000	VSD ByPass 125 hp 208 V, TYPE 3R, MS/TP BACnet	156
VS125432A-BP600	VSD ByPass 125 hp 208 V, TYPE 3R, MS/TP BACnet, 3rd Contactor	156
VS125432A-BP6SA	VSD ByPass 125 hp 208 V, TYPE 3R, MS/TP BACnet, 3rd Contactor, Space Heater	156
VS150422A-00000	VSD ByPass 150 hp 208 V, TYPE 12	180
VS150422A-0P600	VSD ByPass 150 hp 208 V, TYPE 12, 3rd Contactor	180
VS150422A-L0000	VSD ByPass 150 hp 208 V, TYPE 12, LON	180
VS150422A-LP600	VSD ByPass 150 hp 208 V, TYPE 12, LON, 3rd Contactor	180
VS150422A-N0000	VSD ByPass 150 hp 208 V, TYPE 12, N2/XT/SA Bus	180
VS150422A-NP600	VSD ByPass 150 hp 208 V, TYPE 12, N2/XT/SA Bus, 3rd Contactor	180
VS150422A-B0000	VSD ByPass 150 hp 208 V, TYPE 12, MS/TP BACnet	180
VS150422A-BP600	VSD ByPass 150 hp 208 V, TYPE 12, MS/TP BACnet, 3rd Contactor	180
VS150432A-00000	VSD ByPass 150 hp 208 V, TYPE 3R	180
VS150432A-0P600	VSD ByPass 150 hp 208 V, TYPE 3R, Contactor	180
VS150432A-0P6SA	VSD ByPass 150 hp 208 V, TYPE 3R, Contactor, Space Heater	180
VS150432A-L0000	VSD ByPass 150 hp 208 V, TYPE 3R, LON	180
VS150432A-LP600	VSD ByPass 150 hp 208 V, TYPE 3R, LON, 3rd Contactor	180
VS150432A-LP6SA	VSD ByPass 150 hp 208 V, TYPE 3R, LON, 3rd Contactor, Space Heater	180
VS150432A-N0000	VSD ByPass 150 hp 208 V, TYPE 3R, N2/XT/SA Bus	180
VS150432A-NP600	VSD ByPass 150 hp 208 V, TYPE 3R, N2/XT/SA Bus, 3rd Contactor	180
VS150432A-NP6SA	VSD ByPass 150 hp 208 V, TYPE 3R, N2/XT/SA Bus, 3rd Contactor, Space Heater	180
VS150432A-B0000	VSD ByPass 150 hp 208 V, TYPE 3R, MS/TP BACnet	180
VS150432A-BP600	VSD ByPass 150 hp 208 V, TYPE 3R, MS/TP BACnet, 3rd Contactor	180
VS150432A-BP6SA	VSD ByPass 150 hp 208 V, TYPE 3R, MS/TP BACnet, 3rd Contactor, Space Heater	180

1. All horsepower and current ratings are Variable Torque (VT).

Table 29: VSD Series 480 V Enclosed IntelliDisconnect Drives - Frame 4 (Part 1 of 2)

Code Number	Description¹	Current (A)¹
VS001423A-00000	VSD with Disconnect 1 hp 480 V, TYPE 12	3.3
VS001423A-N0000	VSD with Disconnect 1 hp 480 V, TYPE 12, N2/XT/SA Bus	3.3
VS001423A-B0000	VSD with Disconnect 1 hp 480 V, TYPE 12, MS/TP BACnet	3.3
VS001433A-00000	VSD with Disconnect 1hp 480 V, TYPE 3R	3.3
VS001433A-0SA00	VSD with Disconnect 1 hp 480 V, TYPE 3R, Space Heater	3.3
VS001433A-N0000	VSD with Disconnect 1 hp 480 V, TYPE 3R, N2/XT/SA Bus	3.3
VS001433A-NSA00	VSD with Disconnect 1 hp 480 V, TYPE 3R, N2/XT/SA Bus, Space Heater	3.3
VS001433A-B0000	VSD with Disconnect 1 hp 480 V, TYPE 3R, MS/TP BACnet	3.3
VS001433A-BSA00	VSD with Disconnect 1 hp 480 V, TYPE 3R, MS/TP BACnet, Space Heater	3.3
VS002423A-00000	VSD with Disconnect 2 hp 480 V, TYPE 12	4.3
VS002423A-N0000	VSD with Disconnect 2 hp 480 V, TYPE 12, N2/XT/SA Bus	4.3
VS002423A-B0000	VSD with Disconnect 2 hp 480 V, TYPE 12, MS/TP BACnet	4.3
VS002433A-00000	VSD with Disconnect 2 hp 480 V, TYPE 3R	4.3
VS002433A-0SA00	VSD with Disconnect 2 hp 480 V, TYPE 3R, Space Heater	4.3
VS002433A-N0000	VSD with Disconnect 2 hp 480 V, TYPE 3R, N2/XT/SA Bus	4.3
VS002433A-NSA00	VSD with Disconnect 2 hp 480 V, TYPE 3R, N2/XT/SA Bus, Space Heater	4.3
VS002433A-B0000	VSD with Disconnect 2 hp 480 V, TYPE 3R, MS/TP BACnet	4.3
VS002433A-BSA00	VSD with Disconnect 2 hp 480 V, TYPE 3R, MS/TP BACnet, Space Heater	4.3
VS003423A-00000	VSD with Disconnect 3 hp 480 V, TYPE 12	5.6
VS003423A-N0000	VSD with Disconnect 3 hp 480 V, TYPE 12, N2/XT/SA Bus	5.6
VS003423A-B0000	VSD with Disconnect 3 hp 480 V, TYPE 12, MS/TP BACnet	5.6
VS003433A-00000	VSD with Disconnect 3 hp 480 V, TYPE 3R	5.6
VS003433A-0SA00	VSD with Disconnect 3 hp 480 V, TYPE 3R, Space Heater	5.6
VS003433A-N0000	VSD with Disconnect 3 hp 480 V, TYPE 3R, N2/XT/SA Bus	5.6
VS003433A-NSA00	VSD with Disconnect 3 hp 480 V, TYPE 3R, N2/XT/SA Bus, Space Heater	5.6
VS003433A-B0000	VSD with Disconnect 3 hp 480 V, TYPE 3R, MS/TP BACnet	5.6
VS003433A-BSA00	VSD with Disconnect 3 hp 480 V, TYPE 3R, MS/TP BACnet, Space Heater	5.6
VS005423A-00000	VSD with Disconnect 5 hp 480 V, TYPE 12	7.6
VS005423A-N0000	VSD with Disconnect 5 hp 480 V, TYPE 12, N2/XT/SA Bus	7.6
VS005423A-B0000	VSD with Disconnect 5 hp 480 V, TYPE 12, MS/TP BACnet	7.6
VS005433A-00000	VSD with Disconnect 5 hp 480 V, TYPE 3R	7.6
VS005433A-0SA00	VSD with Disconnect 5 hp 480 V, TYPE 3R, Space Heater	7.6
VS005433A-N0000	VSD with Disconnect 5 hp 480 V, TYPE 3R, N2/XT/SA Bus	7.6
VS005433A-NSA00	VSD with Disconnect 5 hp 480 V, TYPE 3R, N2/XT/SA Bus, Space Heater	7.6

Table 29: VSD Series 480 V Enclosed IntelliDisconnect Drives - Frame 4 (Part 2 of 2)

Code Number	Description ¹	Current (A) ¹
VS005433A-B0000	VSD with Disconnect 5 hp 480 V, TYPE 3R, MS/TP BACnet	7.6
VS005433A-BSA00	VSD with Disconnect 5 hp 480 V, TYPE 3R, MS/TP BACnet, Space Heater	7.6
VS007423A-00000	VSD with Disconnect 7-1/2 hp 480 V, TYPE 12	12
VS007423A-N0000	VSD with Disconnect 7-1/2 hp 480 V TYPE 12, N2/XT/SA Bus	12
VS007423A-B0000	VSD with Disconnect 7-1/2 hp 480 V, TYPE 12, MS/TP BACnet	12
VS007433A-00000	VSD with Disconnect 7-1/2 hp 480 V, TYPE 3R	12
VS007433A-0SA00	VSD with Disconnect 7-1/2 hp 480 V, TYPE 3R, Space Heater	12
VS007433A-N0000	VSD with Disconnect 7-1/2 hp 480 V, TYPE 3R, N2/XT/SA Bus	12
VS007433A-NSA00	VSD with Disconnect 7-1/2 hp 480 V, TYPE 3R, N2/XT/SA Bus, Space Heater	12
VS007433A-B0000	VSD with Disconnect 7-1/2 hp 480 V, TYPE 3R, MS/TP BACnet	12
VS007433A-BSA00	VSD with Disconnect 7-1/2 hp 480 V, TYPE 3R, MS/TP BACnet, Space Heater	12

1. All horsepower and current ratings are Variable Torque (VT).

Table 30: VSD Series 480 V Enclosed IntelliDisconnect Drives - Frame 5 (Part 1 of 2)

Code Number	Description ¹	Current (A) ¹
VS010423A-00000	VSD with Disconnect 10 hp 480 V, TYPE 12	16
VS010423A-N0000	VSD with Disconnect 10 hp 480 V, TYPE 12, N2/XT/SA Bus	16
VS010423A-B0000	VSD with Disconnect 10 hp 480 V, TYPE 12, MS/TP BACnet	16
VS010433A-00000	VSD with Disconnect 10hp 480 V, TYPE 3R	16
VS010433A-0SA00	VSD with Disconnect 10 hp 480 V, TYPE 3R, Space Heater	16
VS010433A-N0000	VSD with Disconnect 10 hp 480 V, TYPE 3R, N2/XT/SA Bus	16
VS010433A-NSA00	VSD with Disconnect 10 hp 480 V, TYPE 3R, N2/XT/SA Bus, Space Heater	16
VS010433A-B0000	VSD with Disconnect 10 hp 480 V, TYPE 3R, MS/TP BACnet	16
VS010433A-BSA00	VSD with Disconnect 10 hp 480 V, TYPE 3R, MS/TP BACnet, Space Heater	16
VS015423A-00000	VSD with Disconnect 15 hp 480 V, TYPE 12	23
VS015423A-N0000	VSD with Disconnect 15 hp 480 V, TYPE 12, N2/XT/SA Bus	23
VS015423A-B0000	VSD with Disconnect 15 hp 480 V, TYPE 12, MS/TP BACnet	23
VS015433A-00000	VSD with Disconnect 15 hp 480 V, TYPE 3R	23
VS015433A-0SA00	VSD with Disconnect 15 hp 480 V, TYPE 3R, Space Heater	23
VS015433A-N0000	VSD with Disconnect 15 hp 480 V, TYPE 3R, N2/XT/SA Bus	23
VS015433A-NSA00	VSD with Disconnect 15 hp 480 V, TYPE 3R, N2/XT/SA Bus, Space Heater	23
VS015433A-B0000	VSD with Disconnect 15 hp 480 V, TYPE 3R, MS/TP BACnet	23
VS015433A-BSA00	VSD with Disconnect 15 hp 480 V, TYPE 3R, MS/TP BACnet, Space Heater	23
VS020423A-00000	VSD with Disconnect 20 hp 480 V, TYPE 12	31

Table 30: VSD Series 480 V Enclosed IntelliDisconnect Drives - Frame 5 (Part 2 of 2)

Code Number	Description ¹	Current (A) ¹
VS020423A-N0000	VSD with Disconnect 20 hp 480 V, TYPE 12, N2/XT/SA Bus	31
VS020423A-B0000	VSD with Disconnect 20 hp 480 V, TYPE 12, MS/TP BACnet	31
VS020433A-00000	VSD with Disconnect 20 hp 480 V, TYPE 3R	31
VS020433A-0SA00	VSD with Disconnect 20 hp 480 V, TYPE 3R, Space Heater	31
VS020433A-N0000	VSD with Disconnect 20 hp 480 V, TYPE 3R, N2/XT/SA Bus	31
VS020433A-NSA00	VSD with Disconnect 20 hp 480 V, TYPE 3R, N2/XT/SA Bus, Space Heater	31
VS020433A-B0000	VSD with Disconnect 20 hp 480 V, TYPE 3R, MS/TP BACnet	31
VS020433A-BSA00	VSD with Disconnect 20 hp 480 V, TYPE 3R, MS/TP BACnet, Space Heater	31

1. All horsepower and current ratings are Variable Torque (VT).

Table 31: VSD Series 480 V Enclosed IntelliDisconnect Drives - Frame 6 (Part 1 of 2)

Code Number	Description ¹	Current (A) ¹
VS025423A-00000	VSD with Disconnect 25 hp 480 V, TYPE 12	38
VS025423A-N0000	VSD with Disconnect 25 hp 480 V, TYPE 12, N2/XT/SA Bus	38
VS025423A-B0000	VSD with Disconnect 25 hp 480 V, TYPE 12, MS/TP BACnet	38
VS025433A-00000	VSD with Disconnect 25hp 480 V, TYPE 3R	38
VS025433A-0SA00	VSD with Disconnect 25 hp 480 V, TYPE 3R, Space Heater	38
VS025433A-N0000	VSD with Disconnect 25 hp 480 V, TYPE 3R, N2/XT/SA Bus	38
VS025433A-NSA00	VSD with Disconnect 25 hp 480 V, TYPE 3R, N2/XT/SA Bus, Space Heater	38
VS025433A-B0000	VSD with Disconnect 25 hp 480 V, TYPE 3R, MS/TP BACnet	38
VS025433A-BSA00	VSD with Disconnect 25 hp 480 V, TYPE 3R, MS/TP BACnet, Space Heater	38
VS030423A-00000	VSD with Disconnect 30 hp 480 V, TYPE 12	46
VS030423A-N0000	VSD with Disconnect 30 hp 480 V, TYPE 12, N2/XT/SA Bus	46
VS030423A-B0000	VSD with Disconnect 30 hp 480 V, TYPE 12, MS/TP BACnet	46
VS030433A-00000	VSD with Disconnect 30 hp 480 V, TYPE 3R	46
VS030433A-0SA00	VSD with Disconnect 30 hp 480 V, TYPE 3R, Space Heater	46
VS030433A-N0000	VSD with Disconnect 30 hp 480 V, TYPE 3R, N2/XT/SA Bus	46
VS030433A-NSA00	VSD with Disconnect 30 hp 480 V, TYPE 3R, N2/XT/SA Bus, Space Heater	46
VS030433A-B0000	VSD with Disconnect 30 hp 480 V, TYPE 3R, MS/TP BACnet	46
VS030433A-BSA00	VSD with Disconnect 30 hp 480 V, TYPE 3R, MS/TP BACnet, Space Heater	46
VS040423A-00000	VSD with Disconnect 40 hp 480 V, TYPE 12	61
VS040423A-N0000	VSD with Disconnect 40 hp 480 V, TYPE 12, N2/XT/SA Bus	61
VS040423A-B0000	VSD with Disconnect 40 hp 480 V, TYPE 12, MS/TP BACnet	61
VS040433A-00000	VSD with Disconnect 40 hp 480 V, TYPE 3R	61

Table 31: VSD Series 480 V Enclosed IntelliDisconnect Drives - Frame 6 (Part 2 of 2)

Code Number	Description ¹	Current (A) ¹
VS040433A-0SA00	VSD with Disconnect 40 hp 480 V, TYPE 3R, Space Heater	61
VS040433A-N0000	VSD with Disconnect 40 hp 480 V, TYPE 3R, N2/XT/SA Bus	61
VS040433A-NSA00	VSD with Disconnect 40 hp 480 V, TYPE 3R, N2/XT/SA Bus, Space Heater	61
VS040433A-B0000	VSD with Disconnect 40 hp 480 V, TYPE 3R, MS/TP BACnet	61
VS040433A-BSA00	VSD with Disconnect 40 hp 480 V, TYPE 3R, MS/TP BACnet, Space Heater	61

1. All horsepower and current ratings are Variable Torque (VT).

Table 32: VSD Series 480 V Enclosed IntelliDisconnect Drives - Frame 7 (Part 1 of 2)

Code Number	Description ¹	Current (A) ¹
VS050423A-00000	VSD with Disconnect 50 hp 480 V, TYPE 12	72
VS050423A-N0000	VSD with Disconnect 50 hp 480 V, TYPE 12, N2/XT/SA Bus	72
VS050423A-B0000	VSD with Disconnect 50 hp 480 V, TYPE 12, MS/TP BACnet	72
VS050433A-00000	VSD with Disconnect 50hp 480 V, TYPE 3R	72
VS050433A-0SA00	VSD with Disconnect 50 hp 480 V, TYPE 3R, Space Heater	72
VS050433A-N0000	VSD with Disconnect 50 hp 480 V, TYPE 3R, N2/XT/SA Bus	72
VS050433A-NSA00	VSD with Disconnect 50 hp 480 V, TYPE 3R, N2/XT/SA Bus, Space Heater	72
VS050433A-B0000	VSD with Disconnect 50 hp 480 V, TYPE 3R, MS/TP BACnet	72
VS050433A-BSA00	VSD with Disconnect 50 hp 480 V, TYPE 3R, MS/TP BACnet, Space Heater	72
VS060423A-00000	VSD with Disconnect 60 hp 480 V, TYPE 12	87
VS060423A-N0000	VSD with Disconnect 60 hp 480 V, TYPE 12, N2/XT/SA Bus	87
VS060423A-B0000	VSD with Disconnect 60 hp 480 V, TYPE 12, MS/TP BACnet	87
VS060433A-00000	VSD with Disconnect 60 hp 480 V, TYPE 3R	87
VS060433A-0SA00	VSD with Disconnect 60 hp 480 V, TYPE 3R, Space Heater	87
VS060433A-N0000	VSD with Disconnect 60 hp 480 V, TYPE 3R, N2/XT/SA Bus	87
VS060433A-NSA00	VSD with Disconnect 60 hp 480 V, TYPE 3R, N2/XT/SA Bus, Space Heater	87
VS060433A-B0000	VSD with Disconnect 60 hp 480 V, TYPE 3R, MS/TP BACnet	87
VS060433A-BSA00	VSD with Disconnect 60 hp 480 V, TYPE 3R, MS/TP BACnet, Space Heater	87
VS075423A-00000	VSD with Disconnect 75 hp 480 V, TYPE 12	105
VS075423A-N0000	VSD with Disconnect 75 hp 480 V, TYPE 12, N2/XT/SA Bus	105
VS075423A-B0000	VSD with Disconnect 75 hp 480 V, TYPE 12, MS/TP BACnet	105
VS075433A-00000	VSD with Disconnect 75 hp 480 V, TYPE 3R	105

Table 32: VSD Series 480 V Enclosed IntelliDisconnect Drives - Frame 7 (Part 2 of 2)

Code Number	Description ¹	Current (A) ¹
VS075433A-0SA00	VSD with Disconnect 75 hp 480 V, TYPE 3R, Space Heater	105
VS075433A-N0000	VSD with Disconnect 75 hp 480 V, TYPE 3R, N2/XT/SA Bus	105
VS075433A-NSA00	VSD with Disconnect 75 hp 480 V, TYPE 3R, N2/XT/SA Bus, Space Heater	105
VS075433A-B0000	VSD with Disconnect 75 hp 480 V, TYPE 3R, MS/TP BACnet	105
VS075433A-BSA00	VSD with Disconnect 75 hp 480 V, TYPE 3R, MS/TP BACnet, Space Heater	105

1. All horsepower and current ratings are Variable Torque (VT).

Table 33: VSD Series 480 V Enclosed IntelliDisconnect Drives - Frame 8 (Part 1 of 2)

Code Number	Description ¹	Current (A) ¹
VS100423A-00000	VSD with Disconnect 100 hp 480 V, TYPE 12	140
VS100423A-N0000	VSD with Disconnect 100 hp 480 V, TYPE 12, N2/XT/SA Bus	140
VS100423A-B0000	VSD with Disconnect 100 hp 480 V, TYPE 12, MS/TP BACnet	140
VS100433A-00000	VSD with Disconnect 100hp 480 V, TYPE 3R	140
VS100433A-0SA00	VSD with Disconnect 100 hp 480 V, TYPE 3R, Space Heater	140
VS100433A-N0000	VSD with Disconnect 100 hp 480 V, TYPE 3R, N2/XT/SA Bus	140
VS100433A-NSA00	VSD with Disconnect 100 hp 480 V, TYPE 3R, N2/XT/SA Bus, Space Heater	140
VS100433A-B0000	VSD with Disconnect 100 hp 480 V, TYPE 3R, MS/TP BACnet	140
VS100433A-BSA00	VSD with Disconnect 100 hp 480 V, TYPE 3R, MS/TP BACnet, Space Heater	140
VS125423A-00000	VSD with Disconnect 125 hp 480 V, TYPE 12	170
VS125423A-N0000	VSD with Disconnect 125 hp 480 V, TYPE 12, N2/XT/SA Bus	170
VS125423A-B0000	VSD with Disconnect 125 hp 480 V, TYPE 12, MS/TP BACnet	170
VS125433A-00000	VSD with Disconnect 125 hp 480 V, TYPE 3R	170
VS125433A-0SA00	VSD with Disconnect 125 hp 480 V, TYPE 3R, Space Heater	170
VS125433A-N0000	VSD with Disconnect 125 hp 480 V, TYPE 3R, N2/XT/SA Bus	170
VS125433A-NSA00	VSD with Disconnect 125 hp 480 V, TYPE 3R, N2/XT/SA Bus, Space Heater	170
VS125433A-B0000	VSD with Disconnect 125 hp 480 V, TYPE 3R, MS/TP BACnet	170
VS125433A-BSA00	VSD with Disconnect 125 hp 480 V, TYPE 3R, MS/TP BACnet, Space Heater	170
VS150423A-00000	VSD with Disconnect 150 hp 480 V, TYPE 12	205
VS150423A-N0000	VSD with Disconnect 150 hp 480 V, TYPE 12, N2/XT/SA Bus	205
VS150423A-B0000	VSD with Disconnect 150 hp 480 V, TYPE 12, MS/TP BACnet	205
VS150433A-00000	VSD with Disconnect 150 hp 480 V, TYPE 3R	205

Table 33: VSD Series 480 V Enclosed IntelliDisconnect Drives - Frame 8 (Part 2 of 2)

Code Number	Description ¹	Current (A) ¹
VS150433A-0SA00	VSD with Disconnect 150 hp 480 V, TYPE 3R, Space Heater	205
VS150433A-N0000	VSD with Disconnect 150 hp 480 V, TYPE 3R, N2/XT/SA Bus	205
VS150433A-NSA00	VSD with Disconnect 150 hp 480 V, TYPE 3R, N2/XT/SA Bus, Space Heater	205
VS150433A-B0000	VSD with Disconnect 150 hp 480 V, TYPE 3R, MS/TP BACnet	205
VS150433A-BSA00	VSD with Disconnect 150 hp 480 V, TYPE 3R, MS/TP BACnet, Space Heater	205

1. All horsepower and current ratings are Variable Torque (VT).

Table 34: VSD Series 575 V Enclosed IntelliPass Drives (Canadian) - Frame 6 (Part 1 of 7)

Code Number	Description ¹	Current (A) ¹
VS003522C-0P300	VSD ByPass 3 hp 575 V, TYPE 12, Fuse	3.9
VS003522C-0P900	VSD ByPass 3 hp 575 V, TYPE 12, Fuse, 3rd Contactor	3.9
VS003522C-LP300	VSD ByPass 3 hp 575 V, TYPE 12, LON, Fuse	3.9
VS003522C-LP900	VSD ByPass 3 hp 575 V, TYPE 12, LON, Fuse, 3rd Contactor	3.9
VS003522C-NP300	VSD ByPass 3 hp 575 V, TYPE 12, N2/XT/SA Bus, Fuse	3.9
VS003522C-NP900	VSD ByPass 3 hp 575 V, TYPE 12, N2/XT/SA Bus, Fuse, 3rd Contactor	3.9
VS003522C-BP300	VSD ByPass 3 hp 575 V, TYPE 12, MS/TP BACnet, Fuse	3.9
VS003522C-BP900	VSD ByPass 3 hp 575 V, TYPE 12, MS/TP BACnet, Fuse, 3rd Contactor	3.9
VS003532C-0P300	VSD ByPass 3 hp 575 V, TYPE 3R, Fuse	3.9
VS003532C-0P3SA	VSD ByPass 3 hp 575 V, TYPE 3R, Fuse, Space Heater	3.9
VS003532C-0P900	VSD ByPass 3 hp 575 V, TYPE 3R, Fuse, 3rd Contactor	3.9
VS003532C-0P9SA	VSD ByPass 3 hp 575 V, TYPE 3R, Fuse, 3rd Contactor, Space Heater	3.9
VS003532C-LP300	VSD ByPass 3 hp 575 V, TYPE 3R, LON, Fuse	3.9
VS003532C-LP3SA	VSD ByPass 3 hp 575 V, TYPE 3R, LON, Fuse, Space Heater	3.9
VS003532C-LP900	VSD ByPass 3 hp 575 V, TYPE 3R, LON, Fuse, 3rd Contactor	3.9
VS003532C-LP9SA	VSD ByPass 3 hp 575 V, TYPE 3R, LON, Fuse, 3rd Contactor, Space Heater	3.9
VS003532C-NP300	VSD ByPass 3 hp 575 V, TYPE 3R, N2/XT/SA Bus, Fuse	3.9
VS003532C-NP3SA	VSD ByPass 3 hp 575 V, TYPE 3R, N2/XT/SA Bus, Fuse, Space Heater	3.9
VS003532C-NP900	VSD ByPass 3 hp 575 V, TYPE 3R, N2/XT/SA Bus, Fuse, 3rd Contactor	3.9
VS003532C-NP9SA	VSD ByPass 3 hp 575 V, TYPE 3R, N2/XT/SA Bus, Fuse, 3rd Contactor, Space Heater	3.9
VS003532C-BP300	VSD ByPass 3 hp 575 V, TYPE 3R, MS/TP BACnet, Fuse	3.9
VS003532C-BP3SA	VSD ByPass 3 hp 575 V, TYPE 3R, MS/TP BACnet, Fuse, Space Heater	3.9
VS003532C-BP900	VSD ByPass 3 hp 575 V, TYPE 3R, MS/TP BACnet, Fuse, 3rd Contactor	3.9
VS003532C-BP9SA	VSD ByPass 3 hp 575 V, TYPE 3R, MS/TP BACnet, Fuse, 3rd Contactor, Space Heater	3.9

Table 34: VSD Series 575 V Enclosed IntelliPass Drives (Canadian) - Frame 6 (Part 2 of 7)

Code Number	Description¹	Current (A)¹
VS005522C-0P300	VSD ByPass 5 hp 575 V, TYPE 12, Fuse	6.1
VS005522C-0P900	VSD ByPass 5 hp 575 V, TYPE 12, Fuse, 3rd Contactor	6.1
VS005522C-LP300	VSD ByPass 5 hp 575 V, TYPE 12, LON, Fuse	6.1
VS005522C-LP900	VSD ByPass 5 hp 575 V, TYPE 12, LON, Fuse, 3rd Contactor	6.1
VS005522C-NP300	VSD ByPass 5 hp 575 V, TYPE 12, N2/XT/SA Bus, Fuse	6.1
VS005522C-NP900	VSD ByPass 5 hp 575 V, TYPE 12, N2/XT/SA Bus, Fuse, 3rd Contactor	6.1
VS005522C-BP300	VSD ByPass 5 hp 575 V, TYPE 12, MS/TP BACnet, Fuse	6.1
VS005522C-BP900	VSD ByPass 5 hp 575 V, TYPE 12, MS/TP BACnet, Fuse, 3rd Contactor	6.1
VS005532C-0P300	VSD ByPass 5 hp 575 V, TYPE 3R, Fuse	6.1
VS005532C-0P3SA	VSD ByPass 5 hp 575 V, TYPE 3R, Fuse, Space Heater	6.1
VS005532C-0P900	VSD ByPass 5 hp 575 V, TYPE 3R, Fuse, 3rd Contactor	6.1
VS005532C-0P9SA	VSD ByPass 5 hp 575 V, TYPE 3R, Fuse, 3rd Contactor, Space Heater	6.1
VS005532C-LP300	VSD ByPass 5 hp 575 V, TYPE 3R, LON, Fuse	6.1
VS005532C-LP3SA	VSD ByPass 5 hp 575 V, TYPE 3R, LON, Fuse, Space Heater	6.1
VS005532C-LP900	VSD ByPass 5 hp 575 V, TYPE 3R, LON, Fuse, 3rd Contactor	6.1
VS005532C-LP9SA	VSD ByPass 5 hp 575 V, TYPE 3R, LON, Fuse, 3rd Contactor, Space Heater	6.1
VS005532C-NP300	VSD ByPass 5 hp 575 V, TYPE 3R, N2/XT/SA Bus, Fuse	6.1
VS005532C-NP3SA	VSD ByPass 5 hp 575 V, TYPE 3R, N2/XT/SA Bus, Fuse, Space Heater	6.1
VS005532C-NP900	VSD ByPass 5 hp 575 V, TYPE 3R, N2/XT/SA Bus, Fuse, 3rd Contactor	6.1
VS005532C-NP9SA	VSD ByPass 5 hp 575 V, TYPE 3R, N2/XT/SA Bus, Fuse, 3rd Contactor, Space Heater	6.1
VS005532C-BP300	VSD ByPass 5 hp 575 V, TYPE 3R, MS/TP BACnet, Fuse	6.1
VS005532C-BP3SA	VSD ByPass 5 hp 575 V, TYPE 3R, MS/TP BACnet, Fuse, Space Heater	6.1
VS005532C-BP900	VSD ByPass 5 hp 575 V, TYPE 3R, MS/TP BACnet, Fuse, 3rd Contactor	6.1
VS005532C-BP9SA	VSD ByPass 5 hp 575 V, TYPE 3R, MS/TP BACnet, Fuse, 3rd Contactor, Space Heater	6.1
VS007522C-0P300	VSD ByPass 7-1/2 hp 575 V, TYPE 12, Fuse	9
VS007522C-0P900	VSD ByPass 7-1/2 hp 575 V, TYPE 12, Fuse, 3rd Contactor	9
VS007522C-LP300	VSD ByPass 7-1/2 hp 575 V, TYPE 12, LON, Fuse	9
VS007522C-LP900	VSD ByPass 7-1/2 hp 575 V, TYPE 12, LON, Fuse, 3rd Contactor	9
VS007522C-NP300	VSD ByPass 7-1/2 hp 575 V, TYPE 12, N2/XT/SA Bus, Fuse	9
VS007522C-NP900	VSD ByPass 7-1/2 hp 575 V, TYPE 12, N2/XT/SA Bus, Fuse, 3rd Contactor	9
VS007522C-BP300	VSD ByPass 7-1/2 hp 575 V, TYPE 12, MS/TP BACnet, Fuse	9
VS007522C-BP900	VSD ByPass 7-1/2 hp 575 V, TYPE 12, MS/TP BACnet, Fuse, 3rd Contactor	9
VS007532C-0P300	VSD ByPass 7-1/2 hp 575 V, TYPE 3R, Fuse	9
VS007532C-0P3SA	VSD ByPass 7-1/2 hp 575 V, TYPE 3R, Fuse, Space Heater	9

Table 34: VSD Series 575 V Enclosed IntelliPass Drives (Canadian) - Frame 6 (Part 3 of 7)

Code Number	Description¹	Current (A)¹
VS007532C-0P900	VSD ByPass 7-1/2 hp 575 V, TYPE 3R, Fuse, 3rd Contactor	9
VS007532C-0P9SA	VSD ByPass 7-1/2 hp 575 V, TYPE 3R, Fuse, 3rd Contactor, Space Heater	9
VS007532C-LP300	VSD ByPass 7-1/2 hp 575 V, TYPE 3R, LON, Fuse	9
VS007532C-LP3SA	VSD ByPass 7-1/2 hp 575 V, TYPE 3R, LON, Fuse, Space Heater	9
VS007532C-LP900	VSD ByPass 7-1/2 hp 575 V, TYPE 3R, LON, Fuse, 3rd Contactor	9
VS007532C-LP9SA	VSD ByPass 7-1/2 hp 575 V, TYPE 3R, LON, Fuse, 3rd Contactor, Space Heater	9
VS007532C-NP300	VSD ByPass 7-1/2 hp 575 V, TYPE 3R, N2/XT/SA Bus, Fuse	9
VS007532C-NP3SA	VSD ByPass 7-1/2 hp 575 V, TYPE 3R, N2/XT/SA Bus, Fuse, Space Heater	9
VS007532C-NP900	VSD ByPass 7-1/2 hp 575 V, TYPE 3R, N2/XT/SA Bus, Fuse, 3rd Contactor	9
VS007532C-NP9SA	VSD ByPass 7-1/2 hp 575 V, TYPE 3R, N2/XT/SA Bus, Fuse, 3rd Contactor, Space Heater	9
VS007532C-BP300	VSD ByPass 7-1/2 hp 575 V, TYPE 3R, MS/TP BACnet, Fuse	9
VS007532C-BP3SA	VSD ByPass 7-1/2 hp 575 V, TYPE 3R, MS/TP BACnet, Fuse, Space Heater	9
VS007532C-BP900	VSD ByPass 7-1/2 hp 575 V, TYPE 3R, MS/TP BACnet, Fuse, 3rd Contactor	9
VS007532C-BP9SA	VSD ByPass 7-1/2 hp 575 V, TYPE 3R, MS/TP BACnet, Fuse, 3rd Contactor, Space Heater	9
VS010522C-0P300	VSD ByPass 10 hp 575 V, TYPE 12, Fuse	11
VS010522C-0P900	VSD ByPass 10 hp 575 V, TYPE 12, Fuse, 3rd Contactor	11
VS010522C-LP300	VSD ByPass 10 hp 575 V, TYPE 12, LON, Fuse	11
VS010522C-LP900	VSD ByPass 10 hp 575 V, TYPE 12, LON, Fuse, 3rd Contactor	11
VS010522C-NP300	VSD ByPass 10 hp 575 V, TYPE 12, N2/XT/SA Bus, Fuse	11
VS010522C-NP900	VSD ByPass 10 hp 575 V, TYPE 12, N2/XT/SA Bus, Fuse, 3rd Contactor	11
VS010522C-BP300	VSD ByPass 10 hp 575 V, TYPE 12, MS/TP BACnet, Fuse	11
VS010522C-BP900	VSD ByPass 10 hp 575 V, TYPE 12, MS/TP BACnet, Fuse, 3rd Contactor	11
VS010532C-0P300	VSD ByPass 10 hp 575 V, TYPE 3R, Fuse	11
VS010532C-0P3SA	VSD ByPass 10 hp 575 V, TYPE 3R, Fuse, Space Heater	11
VS010532C-0P900	VSD ByPass 10 hp 575 V, TYPE 3R, Fuse, 3rd Contactor	11
VS010532C-0P9SA	VSD ByPass 10 hp 575 V, TYPE 3R, Fuse, 3rd Contactor, Space Heater	11
VS010532C-LP300	VSD ByPass 10 hp 575 V, TYPE 3R, LON, Fuse	11
VS010532C-LP3SA	VSD ByPass 10 hp 575 V, TYPE 3R, LON, Fuse, Space Heater	11
VS010532C-LP900	VSD ByPass 10 hp 575 V, TYPE 3R, LON, Fuse, 3rd Contactor	11
VS010532C-LP9SA	VSD ByPass 10 hp 575 V, TYPE 3R, LON, Fuse, 3rd Contactor, Space Heater	11
VS010532C-NP300	VSD ByPass 10 hp 575 V, TYPE 3R, N2/XT/SA Bus, Fuse	11
VS010532C-NP3SA	VSD ByPass 10 hp 575 V, TYPE 3R, N2/XT/SA Bus, Fuse, Space Heater	11

Table 34: VSD Series 575 V Enclosed IntelliPass Drives (Canadian) - Frame 6 (Part 4 of 7)

Code Number	Description¹	Current (A)¹
VS010532C-NP900	VSD ByPass 10 hp 575 V, TYPE 3R, N2/XT/SA Bus, Fuse, 3rd Contactor	11
VS010532C-NP9SA	VSD ByPass 10 hp 575 V, TYPE 3R, N2/XT/SA Bus, Fuse, 3rd Contactor, Space Heater	11
VS010532C-BP300	VSD ByPass 10 hp 575 V, TYPE 3R, MS/TP BACnet, Fuse	11
VS010532C-BP3SA	VSD ByPass 10 hp 575 V, TYPE 3R, MS/TP BACnet, Fuse, Space Heater	11
VS010532C-BP900	VSD ByPass 10 hp 575 V, TYPE 3R, MS/TP BACnet, Fuse, 3rd Contactor	11
VS010532C-BP9SA	VSD ByPass 10 hp 575 V, TYPE 3R, MS/TP BACnet, Fuse, 3rd Contactor, Space Heater	11
VS015522C-0P300	VSD ByPass 15 hp 575 V, TYPE 12, Fuse	17
VS015522C-0P900	VSD ByPass 15 hp 575 V, TYPE 12, Fuse, 3rd Contactor	17
VS015522C-LP300	VSD ByPass 15 hp 575 V, TYPE 12, LON, Fuse	17
VS015522C-LP900	VSD ByPass 15 hp 575 V, TYPE 12, LON, Fuse, 3rd Contactor	17
VS015522C-NP300	VSD ByPass 15 hp 575 V, TYPE 12, N2/XT/SA Bus, Fuse	17
VS015522C-NP900	VSD ByPass 15 hp 575 V, TYPE 12, N2/XT/SA Bus, Fuse, 3rd Contactor	17
VS015522C-BP300	VSD ByPass 15 hp 575 V, TYPE 12, MS/TP BACnet, Fuse	17
VS015522C-BP900	VSD ByPass 15 hp 575 V, TYPE 12, MS/TP BACnet, Fuse, 3rd Contactor	17
VS015532C-0P300	VSD ByPass 15 hp 575 V, TYPE 3R, Fuse	17
VS015532C-0P3SA	VSD ByPass 15 hp 575 V, TYPE 3R, Fuse, Space Heater	17
VS015532C-0P900	VSD ByPass 15 hp 575 V, TYPE 3R, Fuse, 3rd Contactor	17
VS015532C-0P9SA	VSD ByPass 15 hp 575 V, TYPE 3R, Fuse, 3rd Contactor, Space Heater	17
VS015532C-LP300	VSD ByPass 15 hp 575 V, TYPE 3R, LON, Fuse	17
VS015532C-LP3SA	VSD ByPass 15 hp 575 V, TYPE 3R, LON, Fuse, Space Heater	17
VS015532C-LP900	VSD ByPass 15 hp 575 V, TYPE 3R, LON, Fuse, 3rd Contactor	17
VS015532C-LP9SA	VSD ByPass 15 hp 575 V, TYPE 3R, LON, Fuse, 3rd Contactor, Space Heater	17
VS015532C-NP300	VSD ByPass 15 hp 575 V, TYPE 3R, N2/XT/SA Bus, Fuse	17
VS015532C-NP3SA	VSD ByPass 15 hp 575 V, TYPE 3R, N2/XT/SA Bus, Fuse, Space Heater	17
VS015532C-NP900	VSD ByPass 15 hp 575 V, TYPE 3R, N2/XT/SA Bus, Fuse, 3rd Contactor	17
VS015532C-NP9SA	VSD ByPass 15 hp 575 V, TYPE 3R, N2/XT/SA Bus, Fuse, 3rd Contactor, Space Heater	17
VS015532C-BP300	VSD ByPass 15 hp 575 V, TYPE 3R, MS/TP BACnet, Fuse	17
VS015532C-BP3SA	VSD ByPass 15 hp 575 V, TYPE 3R, MS/TP BACnet, Fuse, Space Heater	17
VS015532C-BP900	VSD ByPass 15 hp 575 V, TYPE 3R, MS/TP BACnet, Fuse, 3rd Contactor	17
VS015532C-BP9SA	VSD ByPass 15 hp 575 V, TYPE 3R, MS/TP BACnet, Fuse, 3rd Contactor, Space Heater	17

Table 34: VSD Series 575 V Enclosed IntelliPass Drives (Canadian) - Frame 6 (Part 5 of 7)

Code Number	Description¹	Current (A)¹
VS020522C-0P300	VSD ByPass 20 hp 575 V, TYPE 12, Fuse	22
VS020522C-0P900	VSD ByPass 20 hp 575 V, TYPE 12, Fuse, 3rd Contactor	22
VS020522C-LP300	VSD ByPass 20 hp 575 V, TYPE 12, LON, Fuse	22
VS020522C-LP900	VSD ByPass 20 hp 575 V, TYPE 12, LON, Fuse, 3rd Contactor	22
VS020522C-NP300	VSD ByPass 20 hp 575 V, TYPE 12, N2/XT/SA Bus, Fuse	22
VS020522C-NP900	VSD ByPass 20 hp 575 V, TYPE 12, N2/XT/SA Bus, Fuse, 3rd Contactor	22
VS020522C-BP300	VSD ByPass 20 hp 575 V, TYPE 12, MS/TP BACnet, Fuse	22
VS020522C-BP900	VSD ByPass 20 hp 575 V, TYPE 12, MS/TP BACnet, Fuse, 3rd Contactor	22
VS020532C-0P300	VSD ByPass 20 hp 575 V, TYPE 3R, Fuse	22
VS020532C-0P3SA	VSD ByPass 20 hp 575 V, TYPE 3R, Fuse, Space Heater	22
VS020532C-0P900	VSD ByPass 20 hp 575 V, TYPE 3R, Fuse, 3rd Contactor	22
VS020532C-0P9SA	VSD ByPass 20 hp 575 V, TYPE 3R, Fuse, 3rd Contactor, Space Heater	22
VS020532C-LP300	VSD ByPass 20 hp 575 V, TYPE 3R, LON, Fuse	22
VS020532C-LP3SA	VSD ByPass 20 hp 575 V, TYPE 3R, LON, Fuse, Space Heater	22
VS020532C-LP900	VSD ByPass 20 hp 575 V, TYPE 3R, LON, Fuse, 3rd Contactor	22
VS020532C-LP9SA	VSD ByPass 20 hp 575 V, TYPE 3R, LON, Fuse, 3rd Contactor, Space Heater	22
VS020532C-NP300	VSD ByPass 20 hp 575 V, TYPE 3R, N2/XT/SA Bus, Fuse	22
VS020532C-NP3SA	VSD ByPass 20 hp 575 V, TYPE 3R, N2/XT/SA Bus, Fuse, Space Heater	22
VS020532C-NP900	VSD ByPass 20 hp 575 V, TYPE 3R, N2/XT/SA Bus, Fuse, 3rd Contactor	22
VS020532C-NP9SA	VSD ByPass 20 hp 575 V, TYPE 3R, N2/XT/SA Bus, Fuse, 3rd Contactor, Space Heater	22
VS020532C-BP300	VSD ByPass 20 hp 575 V, TYPE 3R, MS/TP BACnet, Fuse	22
VS020532C-BP3SA	VSD ByPass 20 hp 575 V, TYPE 3R, MS/TP BACnet, Fuse, Space Heater	22
VS020532C-BP900	VSD ByPass 20 hp 575 V, TYPE 3R, MS/TP BACnet, Fuse, 3rd Contactor	22
VS020532C-BP9SA	VSD ByPass 20 hp 575 V, TYPE 3R, MS/TP BACnet, Fuse, 3rd Contactor, Space Heater	22
VS025522C-0P300	VSD ByPass 25 hp 575 V, TYPE 12, Fuse	27
VS025522C-0P900	VSD ByPass 25 hp 575 V, TYPE 12, Fuse, 3rd Contactor	27
VS025522C-LP300	VSD ByPass 25 hp 575 V, TYPE 12, LON, Fuse	27
VS025522C-LP900	VSD ByPass 25 hp 575 V, TYPE 12, LON, Fuse, 3rd Contactor	27
VS025522C-NP300	VSD ByPass 25 hp 575 V, TYPE 12, N2/XT/SA Bus, Fuse	27
VS025522C-NP900	VSD ByPass 25 hp 575 V, TYPE 12, N2/XT/SA Bus, Fuse, 3rd Contactor	27
VS025522C-BP300	VSD ByPass 25 hp 575 V, TYPE 12, MS/TP BACnet, Fuse	27
VS025522C-BP900	VSD ByPass 25 hp 575 V, TYPE 12, MS/TP BACnet, Fuse, 3rd Contactor	27
VS025532C-0P300	VSD ByPass 25 hp 575 V, TYPE 3R, Fuse	27

Table 34: VSD Series 575 V Enclosed IntelliPass Drives (Canadian) - Frame 6 (Part 6 of 7)

Code Number	Description¹	Current (A)¹
VS025532C-0P3SA	VSD ByPass 25 hp 575 V, TYPE 3R, Fuse, Space Heater	27
VS025532C-0P900	VSD ByPass 25 hp 575 V, TYPE 3R, Fuse, 3rd Contactor	27
VS025532C-0P9SA	VSD ByPass 25 hp 575 V, TYPE 3R, Fuse, 3rd Contactor, Space Heater	27
VS025532C-LP300	VSD ByPass 25 hp 575 V, TYPE 3R, LON, Fuse	27
VS025532C-LP3SA	VSD ByPass 25 hp 575 V, TYPE 3R, LON, Fuse, Space Heater	27
VS025532C-LP900	VSD ByPass 25 hp 575 V, TYPE 3R, LON, Fuse, 3rd Contactor	27
VS025532C-LP9SA	VSD ByPass 25 hp 575 V, TYPE 3R, LON, Fuse, 3rd Contactor, Space Heater	27
VS025532C-NP300	VSD ByPass 25 hp 575 V, TYPE 3R, N2/XT/SA Bus, Fuse	27
VS025532C-NP3SA	VSD ByPass 25 hp 575 V, TYPE 3R, N2/XT/SA Bus, Fuse, Space Heater	27
VS025532C-NP900	VSD ByPass 25 hp 575 V, TYPE 3R, N2/XT/SA Bus, Fuse, 3rd Contactor	27
VS025532C-NP9SA	VSD ByPass 25 hp 575 V, TYPE 3R, N2/XT/SA Bus, Fuse, 3rd Contactor, Space Heater	27
VS025532C-BP300	VSD ByPass 25 hp 575 V, TYPE 3R, MS/TP BACnet, Fuse	27
VS025532C-BP3SA	VSD ByPass 25 hp 575 V, TYPE 3R, MS/TP BACnet, Fuse, Space Heater	27
VS025532C-BP900	VSD ByPass 25 hp 575 V, TYPE 3R, MS/TP BACnet, Fuse, 3rd Contactor	27
VS025532C-BP9SA	VSD ByPass 25 hp 575 V, TYPE 3R, MS/TP BACnet, Fuse, 3rd Contactor, Space Heater	27
VS030522C-0P300	VSD ByPass 30 hp 575 V, TYPE 12, Fuse	32
VS030522C-0P900	VSD ByPass 30 hp 575 V, TYPE 12, Fuse, 3rd Contactor	32
VS030522C-LP300	VSD ByPass 30 hp 575 V, TYPE 12, LON, Fuse	32
VS030522C-LP900	VSD ByPass 30 hp 575 V, TYPE 12, LON, Fuse, 3rd Contactor	32
VS030522C-NP300	VSD ByPass 30 hp 575 V, TYPE 12, N2/XT/SA Bus, Fuse	32
VS030522C-NP900	VSD ByPass 30 hp 575 V, TYPE 12, N2/XT/SA Bus, Fuse, 3rd Contactor	32
VS030522C-BP300	VSD ByPass 30 hp 575 V, TYPE 12, MS/TP BACnet, Fuse	32
VS030522C-BP900	VSD ByPass 30 hp 575 V, TYPE 12, MS/TP BACnet, Fuse, 3rd Contactor	32
VS030532C-0P300	VSD ByPass 30 hp 575 V, TYPE 3R, Fuse	32
VS030532C-0P3SA	VSD ByPass 30 hp 575 V, TYPE 3R, Fuse, Space Heater	32
VS030532C-0P900	VSD ByPass 30 hp 575 V, TYPE 3R, Fuse, 3rd Contactor	32
VS030532C-0P9SA	VSD ByPass 30 hp 575 V, TYPE 3R, Fuse, 3rd Contactor, Space Heater	32
VS030532C-LP300	VSD ByPass 30 hp 575 V, TYPE 3R, LON, Fuse	32
VS030532C-LP3SA	VSD ByPass 30 hp 575 V, TYPE 3R, LON, Fuse, Space Heater	32
VS030532C-LP900	VSD ByPass 30 hp 575 V, TYPE 3R, LON, Fuse, 3rd Contactor	32
VS030532C-LP9SA	VSD ByPass 30 hp 575 V, TYPE 3R, LON, Fuse, 3rd Contactor, Space Heater	32
VS030532C-NP300	VSD ByPass 30 hp 575 V, TYPE 3R, N2/XT/SA Bus, Fuse	32

Table 34: VSD Series 575 V Enclosed IntelliPass Drives (Canadian) - Frame 6 (Part 7 of 7)

Code Number	Description ¹	Current (A) ¹
VS030532C-NP3SA	VSD ByPass 30 hp 575 V, TYPE 3R, N2/XT/SA Bus, Fuse, Space Heater	32
VS030532C-NP900	VSD ByPass 30 hp 575 V, TYPE 3R, N2/XT/SA Bus, Fuse, 3rd Contactor	32
VS030532C-NP9SA	VSD ByPass 30 hp 575 V, TYPE 3R, N2/XT/SA Bus, Fuse, 3rd Contactor, Space Heater	32
VS030532C-BP300	VSD ByPass 30 hp 575 V, TYPE 3R, MS/TP BACnet, Fuse	32
VS030532C-BP3SA	VSD ByPass 30 hp 575 V, TYPE 3R, MS/TP BACnet, Fuse, Space Heater	32
VS030532C-BP900	VSD ByPass 30 hp 575 V, TYPE 3R, MS/TP BACnet, Fuse, 3rd Contactor	32
VS030532C-BP9SA	VSD ByPass 30 hp 575 V, TYPE 3R, MS/TP BACnet, Fuse, 3rd Contactor, Space Heater	32

1. All horsepower and current ratings are Variable Torque (VT).

Table 35: VSD Series 575 V Enclosed IntelliPass Drives (Canadian) - Frame 7 (Part 1 of 2)

Code Number	Description ¹	Current (A) ¹
VS040522C-0P300	VSD ByPass 40 hp 575 V, TYPE 12, Fuse	41
VS040522C-0P900	VSD ByPass 40 hp 575 V, TYPE 12, Fuse, 3rd Contactor	41
VS040522C-LP300	VSD ByPass 40 hp 575 V, TYPE 12, LON, Fuse	41
VS040522C-LP900	VSD ByPass 40 hp 575 V, TYPE 12, LON, Fuse, 3rd Contactor	41
VS040522C-NP300	VSD ByPass 40 hp 575 V, TYPE 12, N2/XT/SA Bus, Fuse	41
VS040522C-NP900	VSD ByPass 40 hp 575 V, TYPE 12, N2/XT/SA Bus, Fuse, 3rd Contactor	41
VS040522C-BP300	VSD ByPass 40 hp 575 V, TYPE 12, MS/TP BACnet, Fuse	41
VS040522C-BP900	VSD ByPass 40 hp 575 V, TYPE 12, MS/TP BACnet, Fuse, 3rd Contactor	41
VS040532C-0P300	VSD ByPass 40 hp 575 V, TYPE 3R, Fuse	41
VS040532C-0P3SA	VSD ByPass 40 hp 575 V, TYPE 3R, Fuse, Space Heater	41
VS040532C-0P900	VSD ByPass 40 hp 575 V, TYPE 3R, Fuse, 3rd Contactor	41
VS040532C-0P9SA	VSD ByPass 40 hp 575 V, TYPE 3R, Fuse, 3rd Contactor, Space Heater	41
VS040532C-LP300	VSD ByPass 40 hp 575 V, TYPE 3R, LON, Fuse	41
VS040532C-LP3SA	VSD ByPass 40 hp 575 V, TYPE 3R, LON, Fuse, Space Heater	41
VS040532C-LP900	VSD ByPass 40 hp 575 V, TYPE 3R, LON, Fuse, 3rd Contactor	41
VS040532C-LP9SA	VSD ByPass 40 hp 575 V, TYPE 3R, LON, Fuse, 3rd Contactor, Space Heater	41
VS040532C-NP300	VSD ByPass 40 hp 575 V, TYPE 3R, N2/XT/SA Bus, Fuse	41
VS040532C-NP3SA	VSD ByPass 40 hp 575 V, TYPE 3R, N2/XT/SA Bus, Fuse, Space Heater	41
VS040532C-NP900	VSD ByPass 40 hp 575 V, TYPE 3R, N2/XT/SA Bus, Fuse, 3rd Contactor	41
VS040532C-NP9SA	VSD ByPass 40 hp 575 V, TYPE 3R, N2/XT/SA Bus, Fuse, 3rd Contactor, Space Heater	41
VS040532C-BP300	VSD ByPass 40 hp 575 V, TYPE 3R, MS/TP BACnet, Fuse	41

Table 35: VSD Series 575 V Enclosed IntelliPass Drives (Canadian) - Frame 7 (Part 2 of 2)

Code Number	Description¹	Current (A)¹
VS040532C-BP3SA	VSD ByPass 40 hp 575 V, TYPE 3R, MS/TP BACnet, Fuse, Space Heater	41
VS040532C-BP900	VSD ByPass 40 hp 575 V, TYPE 3R, MS/TP BACnet, Fuse, 3rd Contactor	41
VS040532C-BP9SA	VSD ByPass 40 hp 575 V, TYPE 3R, MS/TP BACnet, Fuse, 3rd Contactor, Space Heater	41
VS050522C-0P300	VSD ByPass 50 hp 575 V, TYPE 12, Fuse	52
VS050522C-0P900	VSD ByPass 50 hp 575 V, TYPE 12, Fuse, 3rd Contactor	52
VS050522C-LP300	VSD ByPass 50 hp 575 V, TYPE 12, LON, Fuse	52
VS050522C-LP900	VSD ByPass 50 hp 575 V, TYPE 12, LON, Fuse, 3rd Contactor	52
VS050522C-NP300	VSD ByPass 50 hp 575 V, TYPE 12, N2/XT/SA Bus, Fuse	52
VS050522C-NP900	VSD ByPass 50 hp 575 V, TYPE 12, N2/XT/SA Bus, Fuse, 3rd Contactor	52
VS050522C-BP300	VSD ByPass 50 hp 575 V, TYPE 12, MS/TP BACnet, Fuse	52
VS050522C-BP900	VSD ByPass 50 hp 575 V, TYPE 12, MS/TP BACnet, Fuse, 3rd Contactor	52
VS050532C-0P300	VSD ByPass 50 hp 575 V, TYPE 3R, Fuse	52
VS050532C-0P3SA	VSD ByPass 50 hp 575 V, TYPE 3R, Fuse, Space Heater	52
VS050532C-0P900	VSD ByPass 50 hp 575 V, TYPE 3R, Fuse, 3rd Contactor	52
VS050532C-0P9SA	VSD ByPass 50 hp 575 V, TYPE 3R, Fuse, 3rd Contactor, Space Heater	52
VS050532C-LP300	VSD ByPass 50 hp 575 V, TYPE 3R, LON, Fuse	52
VS050532C-LP3SA	VSD ByPass 50 hp 575 V, TYPE 3R, LON, Fuse, Space Heater	52
VS050532C-LP900	VSD ByPass 50 hp 575 V, TYPE 3R, LON, Fuse, 3rd Contactor	52
VS050532C-LP9SA	VSD ByPass 50 hp 575 V, TYPE 3R, LON, Fuse, 3rd Contactor, Space Heater	52
VS050532C-NP300	VSD ByPass 50 hp 575 V, TYPE 3R, N2/XT/SA Bus, Fuse	52
VS050532C-NP3SA	VSD ByPass 50 hp 575 V, TYPE 3R, N2/XT/SA Bus, Fuse, Space Heater	52
VS050532C-NP900	VSD ByPass 50 hp 575 V, TYPE 3R, N2/XT/SA Bus, Fuse, 3rd Contactor	52
VS050532C-NP9SA	VSD ByPass 50 hp 575 V, TYPE 3R, N2/XT/SA Bus, Fuse, 3rd Contactor, Space Heater	52
VS050532C-BP300	VSD ByPass 50 hp 575 V, TYPE 3R, MS/TP BACnet, Fuse	52
VS050532C-BP3SA	VSD ByPass 50 hp 575 V, TYPE 3R, MS/TP BACnet, Fuse, Space Heater	52
VS050532C-BP900	VSD ByPass 50 hp 575 V, TYPE 3R, MS/TP BACnet, Fuse, 3rd Contactor	52
VS050532C-BP9SA	VSD ByPass 50 hp 575 V, TYPE 3R, MS/TP BACnet, Fuse, 3rd Contactor, Space Heater	52

1. All horsepower and current ratings are Variable Torque (VT).

Table 36: VSD Series 575 V Enclosed IntelliPass Drives (Canadian) - Frame 8 (Part 1 of 2)

Code Number	Description¹	Current (A)¹
VS060522C-00000	VSD ByPass 60 hp 575 V, TYPE 12	62
VS060522C-0P600	VSD ByPass 60 hp 575 V, TYPE 12, 3rd Contactor	62
VS060522C-L0000	VSD ByPass 60 hp 575 V, TYPE 12, LON	62
VS060522C-LP600	VSD ByPass 60 hp 575 V, TYPE 12, LON, 3rd Contactor	62
VS060522C-N0000	VSD ByPass 60 hp 575 V, TYPE 12, N2/XT/SA Bus	62
VS060522C-NP600	VSD ByPass 60 hp 575 V, TYPE 12, N2/XT/SA Bus, 3rd Contactor	62
VS060522C-B0000	VSD ByPass 60 hp 575 V, TYPE 12, MS/TP BACnet	62
VS060522C-BP600	VSD ByPass 60 hp 575 V, TYPE 12, MS/TP BACnet, 3rd Contactor	62
VS060532C-00000	VSD ByPass 60 hp 575 V, TYPE 3R	62
VS060532C-0P600	VSD ByPass 60 hp 575 V, TYPE 3R, Fuse, 3rd Contactor	62
VS060532C-0P6SA	VSD ByPass 60 hp 575 V, TYPE 3R, Fuse, 3rd Contactor, Space Heater	62
VS060532C-0SA00	VSD ByPass 60 hp 575 V, TYPE 3R, Space Heater	62
VS060532C-L0000	VSD ByPass 60 hp 575 V, TYPE 3R, LON	62
VS060532C-LP600	VSD ByPass 60 hp 575 V, TYPE 3R, LON, 3rd Contactor	62
VS060532C-LP6SA	VSD ByPass 60 hp 575 V, TYPE 3R, LON, 3rd Contactor, Space Heater	62
VS060532C-LSA00	VSD ByPass 60 hp 575 V, TYPE 3R, LON, Space Heater	62
VS060532C-N0000	VSD ByPass 60 hp 575 V, TYPE 3R, N2/XT/SA Bus	62
VS060532C-NP600	VSD ByPass 60 hp 575 V, TYPE 3R, N2/XT/SA Bus, 3rd Contactor	62
VS060532C-NP6SA	VSD ByPass 60 hp 575 V, TYPE 3R, N2/XT/SA Bus, 3rd Contactor, Space Heater	62
VS060532C-NSA00	VSD ByPass 60 hp 575 V, TYPE 3R, N2/XT/SA Bus, Space Heater	62
VS060532C-B0000	VSD ByPass 60 hp 575 V, TYPE 3R, MS/TP BACnet	62
VS060532C-BP600	VSD ByPass 60 hp 575 V, TYPE 3R, MS/TP BACnet, 3rd Contactor	62
VS060532C-BP6SA	VSD ByPass 60 hp 575 V, TYPE 3R, MS/TP BACnet, 3rd Contactor, Space Heater	62
VS060532C-BSA00	VSD ByPass 60 hp 575 V, TYPE 3R, MS/TP BACnet, Space Heater	62
VS075522C-00000	VSD ByPass 75 hp 575 V, TYPE 12	77
VS075522C-0P600	VSD ByPass 75 hp 575 V, TYPE 12, 3rd Contactor	77
VS075522C-L0000	VSD ByPass 75 hp 575 V, TYPE 12, LON	77
VS075522C-LP600	VSD ByPass 75 hp 575 V, TYPE 12, LON, 3rd Contactor	77
VS075522C-N0000	VSD ByPass 75 hp 575 V, TYPE 12, N2/XT/SA Bus	77
VS075522C-NP600	VSD ByPass 75 hp 575 V, TYPE 12, N2/XT/SA Bus, 3rd Contactor	77
VS075522C-B0000	VSD ByPass 75 hp 575 V, TYPE 12, MS/TP BACnet	77
VS075522C-BP600	VSD ByPass 75 hp 575 V, TYPE 12, MS/TP BACnet, 3rd Contactor	77
VS075532C-00000	VSD ByPass 75 hp 575 V, TYPE 3R	77
VS075532C-0P600	VSD ByPass 75 hp 575 V, TYPE 3R, Fuse, 3rd Contactor	77
VS075532C-0P6SA	VSD ByPass 75 hp 575 V, TYPE 3R, Fuse, 3rd Contactor, Space Heater	77
VS075532C-0SA00	VSD ByPass 75 hp 575 V, TYPE 3R, Space Heater	77

Table 36: VSD Series 575 V Enclosed IntelliPass Drives (Canadian) - Frame 8 (Part 2 of 2)

Code Number	Description¹	Current (A)¹
VS075532C-L0000	VSD ByPass 75 hp 575 V, TYPE 3R, LON	77
VS075532C-LP600	VSD ByPass 75 hp 575 V, TYPE 3R, LON, 3rd Contactor	77
VS075532C-LP6SA	VSD ByPass 75 hp 575 V, TYPE 3R, LON, 3rd Contactor, Space Heater	77
VS075532C-LSA00	VSD ByPass 75 hp 575 V, TYPE 3R, LON, Space Heater	77
VS075532C-N0000	VSD ByPass 75 hp 575 V, TYPE 3R, N2/XT/SA Bus	77
VS075532C-NP600	VSD ByPass 75 hp 575 V, TYPE 3R, N2/XT/SA Bus, 3rd Contactor	77
VS075532C-NP6SA	VSD ByPass 75 hp 575 V, TYPE 3R, N2/XT/SA Bus, 3rd Contactor, Space Heater	77
VS075532C-NSA00	VSD ByPass 75 hp 575 V, TYPE 3R, N2/XT/SA Bus, Space Heater	77
VS075532C-B0000	VSD ByPass 75 hp 575 V, TYPE 3R, MS/TP BACnet	77
VS075532C-BP600	VSD ByPass 75 hp 575 V, TYPE 3R, MS/TP BACnet, 3rd Contactor	77
VS075532C-BP6SA	VSD ByPass 75 hp 575 V, TYPE 3R, MS/TP BACnet, 3rd Contactor, Space Heater	77
VS075532C-BSA00	VSD ByPass 75 hp 575 V, TYPE 3R, MS/TP BACnet, Space Heater	77
VS100522C-00000	VSD ByPass 100 hp 575 V, TYPE 12	99
VS100522C-0P600	VSD ByPass 100 hp 575 V, TYPE 12, 3rd Contactor	99
VS100522C-L0000	VSD ByPass 100 hp 575 V, TYPE 12, LON	99
VS100522C-LP600	VSD ByPass 100 hp 575 V, TYPE 12, LON, 3rd Contactor	99
VS100522C-N0000	VSD ByPass 100 hp 575 V, TYPE 12, N2/XT/SA Bus	99
VS100522C-NP600	VSD ByPass 100 hp 575 V, TYPE 12, N2/XT/SA Bus, 3rd Contactor	99
VS100522C-B0000	VSD ByPass 100 hp 575 V, TYPE 12, MS/TP BACnet	99
VS100522C-BP600	VSD ByPass 100 hp 575 V, TYPE 12, MS/TP BACnet, 3rd Contactor	99
VS100532C-00000	VSD ByPass 100 hp 575 V, TYPE 3R	99
VS100532C-0P600	VSD ByPass 100 hp 575 V, TYPE 3R, Fuse, 3rd Contactor	99
VS100532C-0P6SA	VSD ByPass 100 hp 575 V, TYPE 3R, Fuse, 3rd Contactor, Space Heater	99
VS100532C-0SA00	VSD ByPass 100 hp 575 V, TYPE 3R, Space Heater	99
VS100532C-L0000	VSD ByPass 100 hp 575 V, TYPE 3R, LON	99
VS100532C-LP600	VSD ByPass 100 hp 575 V, TYPE 3R, LON, 3rd Contactor	99
VS100532C-LP6SA	VSD ByPass 100 hp 575 V, TYPE 3R, LON, 3rd Contactor, Space Heater	99
VS100532C-LSA00	VSD ByPass 100 hp 575 V, TYPE 3R, LON, Space Heater	99
VS100532C-N0000	VSD ByPass 100 hp 575 V, TYPE 3R, N2/XT/SA Bus	99
VS100532C-NP600	VSD ByPass 100 hp 575 V, TYPE 3R, N2/XT/SA Bus, 3rd Contactor	99
VS100532C-NP6SA	VSD ByPass 100 hp 575 V, TYPE 3R, N2/XT/SA Bus, 3rd Contactor, Space Heater	99
VS100532C-NSA00	VSD ByPass 100 hp 575 V, TYPE 3R, N2/XT/SA Bus, Space Heater	99
VS100532C-B0000	VSD ByPass 100 hp 575 V, TYPE 3R, MS/TP BACnet	99
VS100532C-BP600	VSD ByPass 100 hp 575 V, TYPE 3R, MS/TP BACnet, 3rd Contactor	99
VS100532C-BP6SA	VSD ByPass 100 hp 575 V, TYPE 3R, MS/TP BACnet, 3rd Contactor, Space Heater	99
VS100532C-BSA00	VSD ByPass 100 hp 575 V, TYPE 3R, MS/TP BACnet, Space Heater	99

1. All horsepower and current ratings are Variable Torque (VT).

Table 37: VSD Series 575 V Enclosed IntelliDisconnect Drives (Canadian) - Frame 6 (Part 1 of 3)

Code Number	Description ¹	Current (A) ¹
VS003523C-00000	VSD with Disconnect 3 hp 575 V, TYPE 12	4.5
VS003523C-N0000	VSD with Disconnect 3 hp 575 V, TYPE 12, N2/XT/SA Bus	4.5
VS003523C-B0000	VSD with Disconnect 3 hp 575 V, TYPE 12, MS/TP BACnet	4.5
VS003533C-00000	VSD with Disconnect 3hp 575 V, TYPE 3R	4.5
VS003533C-0SA00	VSD with Disconnect 3 hp 575 V, TYPE 3R, Space Heater	4.5
VS003533C-N0000	VSD with Disconnect 3 hp 575 V, TYPE 3R, N2/XT/SA Bus	4.5
VS003533C-NSA00	VSD with Disconnect 3 hp 575 V, TYPE 3R, N2/XT/SA Bus, Space Heater	4.5
VS003533C-B0000	VSD with Disconnect 3 hp 575 V, TYPE 3R, MS/TP BACnet	4.5
VS003533C-BSA00	VSD with Disconnect 3 hp 575 V, TYPE 3R, MS/TP BACnet, Space Heater	4.5
VS005523C-00000	VSD with Disconnect 5 hp 575 V, TYPE 12	7.5
VS005523C-N0000	VSD with Disconnect 5 hp 575 V, TYPE 12, N2/XT/SA Bus	7.5
VS005523C-B0000	VSD with Disconnect 5 hp 575 V, TYPE 12, MS/TP BACnet	7.5
VS005533C-00000	VSD with Disconnect 5 hp 575 V, TYPE 3R	7.5
VS005533C-0SA00	VSD with Disconnect 5 hp 575 V, TYPE 3R, Space Heater	7.5
VS005533C-N0000	VSD with Disconnect 5 hp 575 V, TYPE 3R, N2/XT/SA Bus	7.5
VS005533C-NSA00	VSD with Disconnect 5 hp 575 V, TYPE 3R, N2/XT/SA Bus, Space Heater	7.5
VS005533C-B0000	VSD with Disconnect 5 hp 575 V, TYPE 3R, MS/TP BACnet	7.5
VS005533C-BSA00	VSD with Disconnect 5 hp 575 V, TYPE 3R, MS/TP BACnet, Space Heater	7.5
VS007523C-00000	VSD with Disconnect 7-1/2 hp 575 V, TYPE 12	10
VS007523C-N0000	VSD with Disconnect 7-1/2 hp 575 V, TYPE 12, N2/XT/SA Bus	10
VS007523C-B0000	VSD with Disconnect 7-1/2 hp 575 V, TYPE 12, MS/TP BACnet	10
VS007533C-00000	VSD with Disconnect 7-1/2 hp 575 V, TYPE 3R	10
VS007533C-0SA00	VSD with Disconnect 7-1/2 hp 575 V, TYPE 3R, Space Heater	10
VS007533C-N0000	VSD with Disconnect 7-1/2 hp 575 V, TYPE 3R, N2/XT/SA Bus	10
VS007533C-NSA00	VSD with Disconnect 7-1/2 hp 575 V, TYPE 3R, N2/XT/SA Bus, Space Heater	10
VS007533C-B0000	VSD with Disconnect 7-1/2 hp 575 V, TYPE 3R, MS/TP BACnet	10
VS007533C-BSA00	VSD with Disconnect 7-1/2 hp 575 V, TYPE 3R, MS/TP BACnet, Space Heater	10
VS010523C-00000	VSD with Disconnect 10 hp 575 V, TYPE 12	13.5
VS010523C-N0000	VSD with Disconnect 10 hp 575 V, TYPE 12, N2/XT/SA Bus	13.5
VS010523C-B0000	VSD with Disconnect 10 hp 575 V, TYPE 12, MS/TP BACnet	13.5
VS010533C-00000	VSD with Disconnect 10 hp 575 V, TYPE 3R	13.5
VS010533C-0SA00	VSD with Disconnect 10 hp 575 V, TYPE 3R, Space Heater	13.5
VS010533C-N0000	VSD with Disconnect 10 hp 575 V, TYPE 3R, N2/XT/SA Bus	13.5

Table 37: VSD Series 575 V Enclosed IntelliDisconnect Drives (Canadian) - Frame 6 (Part 2 of 3)

Code Number	Description¹	Current (A)¹
VS010533C-NSA00	VSD with Disconnect 10 hp 575 V, TYPE 3R, N2/XT/SA Bus, Space Heater	13.5
VS010533C-B0000	VSD with Disconnect 10 hp 575 V, TYPE 3R, MS/TP BACnet	13.5
VS010533C-BSA00	VSD with Disconnect 10 hp 575 V, TYPE 3R, MS/TP BACnet, Space Heater	13.5
VS015523C-00000	VSD with Disconnect 15 hp 575 V, TYPE 12	18
VS015523C-N0000	VSD with Disconnect 15 hp 575 V, TYPE 12, N2/XT/SA Bus	18
VS015523C-B0000	VSD with Disconnect 15 hp 575 V, TYPE 12, MS/TP BACnet	18
VS015533C-00000	VSD with Disconnect 15 hp 575 V, TYPE 3R	18
VS015533C-0SA00	VSD with Disconnect 15 hp 575 V, TYPE 3R, Space Heater	18
VS015533C-N0000	VSD with Disconnect 15 hp 575 V, TYPE 3R, N2/XT/SA Bus	18
VS015533C-NSA00	VSD with Disconnect 15 hp 575 V, TYPE 3R, N2/XT/SA Bus, Space Heater	18
VS015533C-B0000	VSD with Disconnect 15 hp 575 V, TYPE 3R, MS/TP BACnet	18
VS015533C-BSA00	VSD with Disconnect 15 hp 575 V, TYPE 3R, MS/TP BACnet, Space Heater	18
VS020523C-00000	VSD with Disconnect 20 hp 575 V, TYPE 12	23
VS020523C-N0000	VSD with Disconnect 20 hp 575 V, TYPE 12, N2/XT/SA Bus	23
VS020523C-B0000	VSD with Disconnect 20 hp 575 V, TYPE 12, MS/TP BACnet	23
VS020533C-00000	VSD with Disconnect 20 hp 575 V, TYPE 3R	23
VS020533C-0SA00	VSD with Disconnect 20 hp 575 V, TYPE 3R, Space Heater	23
VS020533C-N0000	VSD with Disconnect 20 hp 575 V, TYPE 3R, N2/XT/SA Bus	23
VS020533C-NSA00	VSD with Disconnect 20 hp 575 V, TYPE 3R, N2/XT/SA Bus, Space Heater	23
VS020533C-B0000	VSD with Disconnect 20 hp 575 V, TYPE 3R, MS/TP BACnet	23
VS020533C-BSA00	VSD with Disconnect 20 hp 575 V, TYPE 3R, MS/TP BACnet, Space Heater	23
VS025523C-00000	VSD with Disconnect 25 hp 575 V, TYPE 12	27
VS025523C-N0000	VSD with Disconnect 25 hp 575 V, TYPE 12, N2/XT/SA Bus	27
VS025523C-B0000	VSD with Disconnect 25 hp 575 V, TYPE 12, MS/TP BACnet	27
VS025533C-00000	VSD with Disconnect 25 hp 575 V, TYPE 3R	27
VS025533C-0SA00	VSD with Disconnect 25 hp 575 V, TYPE 3R, Space Heater	27
VS025533C-N0000	VSD with Disconnect 25 hp 575 V, TYPE 3R, N2/XT/SA Bus	27
VS025533C-NSA00	VSD with Disconnect 25 hp 575 V, TYPE 3R, N2/XT/SA Bus, Space Heater	27
VS025533C-B0000	VSD with Disconnect 25 hp 575 V, TYPE 3R, MS/TP BACnet	27
VS025533C-BSA00	VSD with Disconnect 25 hp 575 V, TYPE 3R, MS/TP BACnet, Space Heater	27
VS030523C-00000	VSD with Disconnect 30 hp 575 V, TYPE 12	34
VS030523C-N0000	VSD with Disconnect 30 hp 575 V, TYPE 12, N2/XT/SA Bus	34
VS030523C-B0000	VSD with Disconnect 30 hp 575 V, TYPE 12, MS/TP BACnet	34
VS030533C-00000	VSD with Disconnect 30 hp 575 V, TYPE 3R	34

Table 37: VSD Series 575 V Enclosed IntelliDisconnect Drives (Canadian) - Frame 6 (Part 3 of 3)

Code Number	Description ¹	Current (A) ¹
VS030533C-0SA00	VSD with Disconnect 30 hp 575 V, TYPE 3R, Space Heater	34
VS030533C-N0000	VSD with Disconnect 30 hp 575 V, TYPE 3R, N2/XT/SA Bus	34
VS030533C-NSA00	VSD with Disconnect 30 hp 575 V, TYPE 3R, N2/XT/SA Bus, Space Heater	34
VS030533C-B0000	VSD with Disconnect 30 hp 575 V, TYPE 3R, MS/TP BACnet	34
VS030533C-BSA00	VSD with Disconnect 30 hp 575 V, TYPE 3R, MS/TP BACnet, Space Heater	34

1. All horsepower and current ratings are Variable Torque (VT).

Table 38: VSD Series 575 V Enclosed IntelliDisconnect Drives (Canadian) - Frame 7 (Part 1 of 2)

Code Number	Description ¹	Current (A) ¹
VS040523C-00000	VSD with Disconnect 40 hp 575 V, TYPE 12	41
VS040523C-N0000	VSD with Disconnect 40 hp 575 V, TYPE 12, N2/XT/SA Bus	41
VS040523C-B0000	VSD with Disconnect 40 hp 575 V, TYPE 12, MS/TP BACnet	41
VS040533C-00000	VSD with Disconnect 40hp 575 V, TYPE 3R	41
VS040533C-0SA00	VSD with Disconnect 40 hp 575 V, TYPE 3R, Space Heater	41
VS040533C-N0000	VSD with Disconnect 40 hp 575 V, TYPE 3R, N2/XT/SA Bus	41
VS040533C-NSA00	VSD with Disconnect 40 hp 575 V, TYPE 3R, N2/XT/SA Bus, Space Heater	41
VS040533C-B0000	VSD with Disconnect 40 hp 575 V, TYPE 3R, MS/TP BACnet	41
VS040533C-BSA00	VSD with Disconnect 40 hp 575 V, TYPE 3R, MS/TP BACnet, Space Heater	41
VS050523C-00000	VSD with Disconnect 50 hp 575 V, TYPE 12	52
VS050523C-N0000	VSD with Disconnect 50 hp 575 V, TYPE 12, N2/XT/SA Bus	52
VS050523C-B0000	VSD with Disconnect 50 hp 575 V, TYPE 12, MS/TP BACnet	52
VS050533C-00000	VSD with Disconnect 50 hp 575 V, TYPE 3R	52
VS050533C-0SA00	VSD with Disconnect 50 hp 575 V, TYPE 3R, Space Heater	52
VS050533C-N0000	VSD with Disconnect 50 hp 575 V, TYPE 3R, N2/XT/SA Bus	52
VS050533C-NSA00	VSD with Disconnect 50 hp 575 V, TYPE 3R, N2/XT/SA Bus, Space Heater	52
VS050533C-B0000	VSD with Disconnect 50 hp 575 V, TYPE 3R, MS/TP BACnet	52
VS050533C-BSA00	VSD with Disconnect 50 hp 575 V, TYPE 3R, MS/TP BACnet, Space Heater	52
VS060523C-00000	VSD with Disconnect 60 hp 575 V, TYPE 12	62
VS060523C-N0000	VSD with Disconnect 60 hp 575 V, TYPE 12, N2/XT/SA Bus	62
VS060523C-B0000	VSD with Disconnect 60 hp 575 V, TYPE 12, MS/TP BACnet	62
VS060533C-00000	VSD with Disconnect 60 hp 575 V, TYPE 3R	62
VS060533C-0SA00	VSD with Disconnect 60 hp 575 V, TYPE 3R, Space Heater	62
VS060533C-N0000	VSD with Disconnect 60 hp 575 V, TYPE 3R, N2/XT/SA Bus	62
VS060533C-NSA00	VSD with Disconnect 60 hp 575 V, TYPE 3R, N2/XT/SA Bus, Space Heater	62

Table 38: VSD Series 575 V Enclosed IntelliDisconnect Drives (Canadian) - Frame 7 (Part 2 of 2)

Code Number	Description¹	Current (A)¹
VS060533C-B0000	VSD with Disconnect 60 hp 575 V, TYPE 3R, MS/TP BACnet	62
VS060533C-BSA00	VSD with Disconnect 60 hp 575 V, TYPE 3R, MS/TP BACnet, Space Heater	62
VS075523C-00000	VSD with Disconnect 75 hp 575 V, TYPE 12	80
VS075523C-N0000	VSD with Disconnect 75 hp 575 V, TYPE 12, N2/XT/SA Bus	80
VS075523C-B0000	VSD with Disconnect 75 hp 575 V, TYPE 12, MS/TP BACnet	80
VS075533C-00000	VSD with Disconnect 75 hp 575 V, TYPE 3R	80
VS075533C-0SA00	VSD with Disconnect 75 hp 575 V, TYPE 3R, Space Heater	80
VS075533C-N0000	VSD with Disconnect 75 hp 575 V, TYPE 3R, N2/XT/SA Bus	80
VS075533C-NSA00	VSD with Disconnect 75 hp 575 V, TYPE 3R, N2/XT/SA Bus, Space Heater	80
VS075533C-B0000	VSD with Disconnect 75 hp 575 V, TYPE 3R, MS/TP BACnet	80
VS075533C-BSA00	VSD with Disconnect 75 hp 575 V, TYPE 3R, MS/TP BACnet, Space Heater	80
VS100523C-00000	VSD with Disconnect 100 hp 575 V, TYPE 12	100
VS100523C-N0000	VSD with Disconnect 100 hp 575 V, TYPE 12, N2/XT/SA Bus	100
VS100523C-B0000	VSD with Disconnect 100 hp 575 V, TYPE 12, MS/TP BACnet	100
VS100533C-00000	VSD with Disconnect 100 hp 575 V, TYPE 3R	100
VS100533C-0SA00	VSD with Disconnect 100 hp 575 V, TYPE 3R, Space Heater	100
VS100533C-N0000	VSD with Disconnect 100 hp 575 V, TYPE 3R, N2/XT/SA Bus	100
VS100533C-NSA00	VSD with Disconnect 100 hp 575 V, TYPE 3R, N2/XT/SA Bus, Space Heater	100
VS100533C-B0000	VSD with Disconnect 100 hp 575 V, TYPE 3R, MS/TP BACnet	100
VS100533C-BSA00	VSD with Disconnect 100 hp 575 V, TYPE 3R, MS/TP BACnet, Space Heater	100

1. All horsepower and current ratings are Variable Torque (VT).

VSD Series Spare Parts

Table 39: VSD Series Spare Parts (Part 1 of 4)

Code Number	Description
VS-OPTA2	I/O Card, 2 Relay
VS-OPTA9	I/O Card, 6DI 1DO, 2AI, 1AO
VS-OPTB4	I/O Card, 1DI, 2AO
VS-OPTB5	I/O Card, 3 Relay
VS-OPTNX	N2/XT/SA Bus Comm Card
VS-OPTC4	LonWorks Comm Card
VS-OPTCJ	MS/TP BACnet Comm Card
VS-OPTD3	RS-232 Comm Card
VS-KEYPAD	Hand/Off/Auto Keypad
VS-AUX24V	24 V Aux Power Supply
VS-DEMO	VS Drive Demo ¹
VS-RMTKEYPAD	Remote Keypad Kit
VS-DRIVECABLE	RS-232 Download Cable (6 ft)
VS-KEYPADCABLE	RS-232 Remote Keypad Cable (6 ft)
VS-RIBBONCABLE	IntelliPass Ribbon Cable
VS-TRAINING	3-Day Start-Up Training
VS-PP01060	Fan Assembly FR4
VS-PP01061	Fan Assembly FR5/6
VS-PP01062	Fan Assembly FR6
VS-PP01063	Fan Assembly FR7
VS-PP01123	Fan Assembly FR8
VS-PP01080	Fan Assembly FR9, 10
VS-PP09051	Fan Transformer for PP01080
VS-VB00308	Power Board 1 - 1-1/2 to 2 hp, 230 V
VS-VB00310	Power Board 3 hp, 230 V
VS-VB00313	Power Board 5, 7-1/2, 10 hp, 230 V
VS-VB00316	Power Board 15, 20 hp, 230 V
VS-VB00319	Power Board 25, 30, 40 hp, 230 V
VS-PP01000	Electrolytic Capacitors 5 to 15 hp, 230 to 480 V
VS-PP01001	Electrolytic Capacitors 5 to 7-1/2 hp, 230 to 480 V
VS-PP01002	Electrolytic Capacitors 5 to 15 hp, 230 to 480 V
VS-PP01003	Electrolytic Capacitors 10 to 20 hp, 230 to 480 V

Table 39: VSD Series Spare Parts (Part 2 of 4)

Code Number	Description
VS-PP01004	Electrolytic Capacitors 15 to 40 hp, 230 to 480 V
VS-PP01005	Electrolytic Capacitors 25 to 250 hp, 230 to 480 V
VS-CP01304	IGBT Module 1 to 3 hp, 230 to 480 V
VS-CP01305	IGBT Module 2 to 5 hp, 230 to 480 V
VS-CP01306	IGBT Module 3 to 10 hp, 230 to 480 V
VS-CP01307	IGBT Module 7-1/2 to 15 hp, 230 to 480 V
VS-CP01308	IGBT Module 10 to 20 hp, 230 to 480 V
VS-PP01022	IGBT Module 15 to 30 hp, 230 to 480 V
VS-PP01023	IGBT Module 20 to 40 hp, 230 to 480 V
VS-PP01024	IGBT Module 25 to 50 hp, 230 to 480 V
VS-PP01025	IGBT Module 30 to 60 hp, 230 to 480 V
VS-PP01029	IGBT Module 40 to 75 hp, 230 to 480 V
VS-VB00242	Rectifying Board 25 to 75 hp, 230 to 480 V
VS-CP01367	Chopper/Rectifier 15 to 30 hp, 230 to 480 V
VS-CP01368	Chopper/Rectifier 20 to 40 hp, 230 to 480 V
VS-PP01035	Diode/Thyristor Module 25 to 75 hp, 230 to 480 V
VS-VB00252	Control Board Assembly 230 V, 480 V, 575 V ²
VS-VB00205	Power Board 1-1/2 hp, 480 V
VS-VB00206	Power Board 2 hp, 480 V
VS-VB00207	Power Board 3 hp, 480 V
VS-VB00208	Power Board 5 hp, 480 V
VS-VB00210	Power Board 7-1/2 hp, 480 V
VS-VB00211	Power Board 10 hp, 480 V
VS-VB00212	Power Board 15 hp, 480 V
VS-VB00213	Power Board 20 hp, 480 V
VS-VB00214	Power Board 25 hp, 480 V
VS-VB00215	Power Board 30 hp, 480 V
VS-VB00216	Power Board 40 hp, 480 V

Table 39: VSD Series Spare Parts (Part 3 of 4)

Code Number	Description
VS-VB00217	Power Board 50 hp, 480 V
VS-VB00218	Power Board 60 hp, 480 V
VS-VB00219	Power Board 75 hp, 480 V
VS-VB00220	Power Board 100 hp, 480 V
VS-VB00221	Power Board 125 hp, 480 V
VS-VB00236	Power Board 150 hp, 480 V
VS-PP01020	IGBT Module 25 hp, 480 V
VS-PP01026	IGBT Module 100 hp, 480 V
VS-PP01027	IGBT Module 125 to 150 hp, 480 V
VS-VB00227	Rectifying Board 100 to 150 hp, 480 V
VS-VB00459	Rectifying Board 200 to 250 hp, 480 V
VS-CP01268	Diode/Thyristor Module 100 to 150 hp, 480 V
VS-PP01037	Diode/Thyristor Module 200 to 250 hp, 480 V
VS-FR09810	Rectifying Module 200 to 250 hp, 480 V
VS-FR09800	Power Module 200 hp, 480 V
VS-FR09801	Power Module 250 hp, 480 V
VS-VB00404	Power Board 3 to 30 hp, 575 V
VS-VB00419	Power Board 40 to 50 hp, 575 V
VS-VB00422	Power Board 60, 75, 100 hp, 575 V
VS-VB00425	Power Board 125 to 200 hp, 575 V
VS-PP01093	Electrolytic Capacitors 3 to 30 hp, 575 V
VS-PP01041	Electrolytic Capacitors 40 to 200 hp, 575 V
VS-PP01140	Electrolytic Capacitors 100 hp, 575 V
VS-PP01091	IGBT Module 3 to 30 hp, 575 V
VS-PP01089	IGBT Module 40 to 50 hp, 575 V
VS-PP01127	IGBT Module 60, 75, 100 hp, 575 V
VS-VB00442	Rectifying Board 40 to 50 hp, 575 V

Table 39: VSD Series Spare Parts (Part 4 of 4)

Code Number	Description
VS-VB00427	Rectifying Board 60, 75, 100 hp, 575 V
VS-VB00460	Rectifying Board 125 to 200 hp, 575 V
VS-PP01092	Diode Module 3 to 30 hp, 575 V
VS-PP01071	Diode/Thyristor Module 40 to 50 hp, 575 V
VS-CP01373	Diode/Thyristor Module 60, 75, 100 hp, 575 V
VS-PP01072	Diode/Thyristor Module 125 to 100 hp, 575 V
VS-FR09812	Rectifying Module 125 to 200 hp, 575 V
VS-FR09802	Power Module 125 hp, 575 V
VS-FR09803	Power Module 150 hp, 575 V
VS-FR09804	Power Module 200 hp, 575 V

1. Includes an RS-232 Comm Card and an N2/XT Bus Comm Card (VS-OPTNX) as standard. Order a VS-OPTB5 (I/O Card 3 Relay) to simulate bypass and a VS-OPTCJ card if MS/TP BACnet is required.
2. Control module is mounted in blue box (no I/O cards included).

VSD Series Option Boards

The VSD Series Drives can accommodate a wide selection of expander and adapter option boards to customize the drive for your application needs. The drive's control unit is designed to accept a total of five option boards. See Figure 3.

The VSD Series factory installed standard board configuration includes an A9 I/O board and an A2 relay output board and a B5 output board (shipped only with the IntelliPass Drive), which are installed in slots A, B, and C, respectively. Slots D and E are for extended I/O and communication cards.

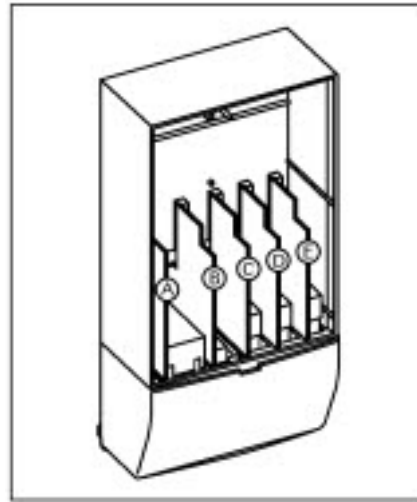


Figure 3: VSD Series Option Boards

Table 40: Option Boards

Description		Allowed Slot Locations ¹	Option Number	Factory Installed
				Suffix Number
Basic I/O Cards	2 Relay Output (RO), N.C./N.O.	B	VS-OPTA2	Standard
	6 Digital Outputs (DI), 1 Digital Output (DO), 2 Analog Inputs (AI), 1 Analog Output (AO) Small Terminal Block	A	VS-OPTA9	Standard
	3 RO	C	VS-OPTB5	Standard
Extended I/O Cards	1 AI, 2 AO	C, D ²	VS-OPTB4	B4
	3 RO (NO)	C, D ²	VS-OPTB5	B5
Communication Cards ³	Johnson Controls N2/XT/SA Bus Com	D, E ²	VS-OPTNX	N
	Johnson Controls MS/TP BACnet Com	D, E ²	VS-OPTCJ	B
	LONWORKS Network	D, E ²	VS-OPTC4	L

1. The option card must be installed in one of the slots listed for that card.
2. This is the preferred slot for option board card placement.
3. Only one communication card can be installed.

VSD Series Replacement Part Selection

Table 41: VSD 208/230 V Enclosed Drives, Frames 4 – 7

Frame	4			5			6		7		Code Number ¹
	1	2	3	5	7-1/2	10	15	20	25	30	
Power Board	1	1									VS-VB00308
			1								VS-VB00310
				1	1	1					VS-VB00313
							1	1			VS-VB00316
									1	1	VS-VB00319
Electrolytic Capacitors	2	2									VS-PP01000
			2								VS-PP01001
				2	2						VS-PP01002
						2					VS-PP01003
							2	2			VS-PP01004
									2	2	VS-PP01005
IGBT Module	1										VS-CP01304
		1									VS-CP01305
			1	1							VS-CP01306
					1						VS-CP01307
						1					VS-CP01308
							1				VS-PP01022
								1			VS-PP01023
									1		VS-PP01024
										1	VS-PP01025
											VS-PP01029
Rectifying Board									1	1	VS-VB00242
Chopper/Rectifier							1				VS-CP01367
								1			VS-PP01368
Diode/Thyristor Module									3	3	VS-PP01035
Control Board	1	1	1	1	1	1	1	1	1	1	VS-VB00252
Cooling Fans											
Fan Assembly FR4	1	1	1								VS-PP01060
Fan Assembly FR5				1	1	1					VS-PP01061
Fan Assembly FR6							1	1			VS-PP01062
Fan Assembly FR7									1	1	VS-PP01063

1. Each code number is a quantity of one. Order the quantity specified for replacement.

For 40 to 60 hp 208 VAC and 40 to 75 hp 230 VAC,
 email Johnson Controls VSD Product Management at
 CG-Drives@jci.com for a quotation.

Table 42: VSD 480 V Enclosed Drives, Frames 4 and 5

Frame	4					5			Code Number ¹
	1	2	3	5	7-1/2	10	15	20	
Power Board	1								VS-VB00205
		1							VS-VB00206
			1						VS-VB00207
				1					VS-VB00208
					1				VS-VB00210
						1			VS-VB00211
							1		VS-VB00212
								1	VS-VB00213
Electrolytic Capacitors	2	2	2	2					VS-PP01000
					2				VS-PP01001
						2	2		VS-PP01002
								2	VS-PP01003
IGBT Module	1	1	1						VS-CP01304
				1					VS-CP01305
					1	1			VS-CP01306
							1		VS-CP01307
								1	VS-CP01308
Control Board	1	1	1	1	1	1	1	1	VS-VB00252
Fans									
Fan Assembly 80 mm FR4	1	1	1	1	1				VS-PP01060
Fan Assembly 120 mm FR5						1	1	1	VS-PP01061

1. Each code number is a quantity of one. Order the quantity specified for replacement.

For 100 to 150 hp 480 VAC, email Johnson Controls
 VSD Product Management at CG-Drives@jci.com for a
 quotation.

Table 43: VSD 480 V Enclosed Drives, Frames 6 and 7

Frame	6			7			Code Number ¹
	25	30	40	50	60	75	
Power Board	1						VS-VB00214
		1					VS-VB00215
			1				VS-VB00216
				1			VS-VB00217
					1		VS-VB00218
						1	VS-VB00219
Electrolytic Capacitors	2	2	2				VS-PP01004
				2	2	2	VS-PP01005
IGBT Module	1						VS-PP01020
		1					VS-PP01022
			1				VS-PP01023
				1			VS-PP01024
					1		VS-PP01025
						1	VS-PP01029
Rectifying Board				1	1	1	VS-VB00242
Chopper/Recruiter	1	1					VS-CP01367
			1				VS-CP01368
Diode/Thyristor				3	3	3	VS-PP01035
Control Board	1	1	1	1	1	1	VS-VB00252
Fans							
Fan Assembly 150 mm FR6	1	1	1				VS-PP01062
Fan Assembly 150 mm FR7				1	1	1	VS-PP01063

1. Each code number is a quantity of one. Order the quantity specified for replacement.

For 100 to 150 hp 480 VAC, email Johnson Controls VSD Product Management at CG-Drives@jci.com for a quotation.

Table 44: VSD 575 V Enclosed Drives, Frame 6 (525 – 690 V Rating)

Frame	6								Code Number ¹
	3	5	7-1/2	10	15	20	25	30	
Power Board	1	1	1	1	1	1	1	1	VS-VB00404
Electrolytic Capacitors	2	2	2	2	2	2	2	2	VS-PP01093
IGBT Module	3	3	3	3	3	3	3	3	VS-PP01091
Diode Module	1	1	1	1	1	1	1	1	VS-PP01092
Control Board	1	1	1	1	1	1	1	1	VS-VB00252
Fans									
FR6 up to 13 A	1	1	1	1					VS-PP01061
FR6 greater than 13 A					1	1	1	1	VS-PP01062

1. Each code number is a quantity of one. Order the quantity specified for replacement.

Table 45: VSD 575 V Enclosed Drives, Frame 7

Frame	7		Code Number ¹
	40	50	
Power Board	1	1	VS-VB00419
Electrolytic Capacitors	2	2	VS-PP01041
IGBT Module	1	1	VS-PP01089
Rectifying Board	1	1	VS-VB00442
Diode/Thyristor	3	3	VS-PP01071
Control Board	1	1	VS-VB00252
Fans			
FR7	1	1	VS-PP01063

1. Each code number is a quantity of one. Order the quantity specified for replacement.

Dimensions

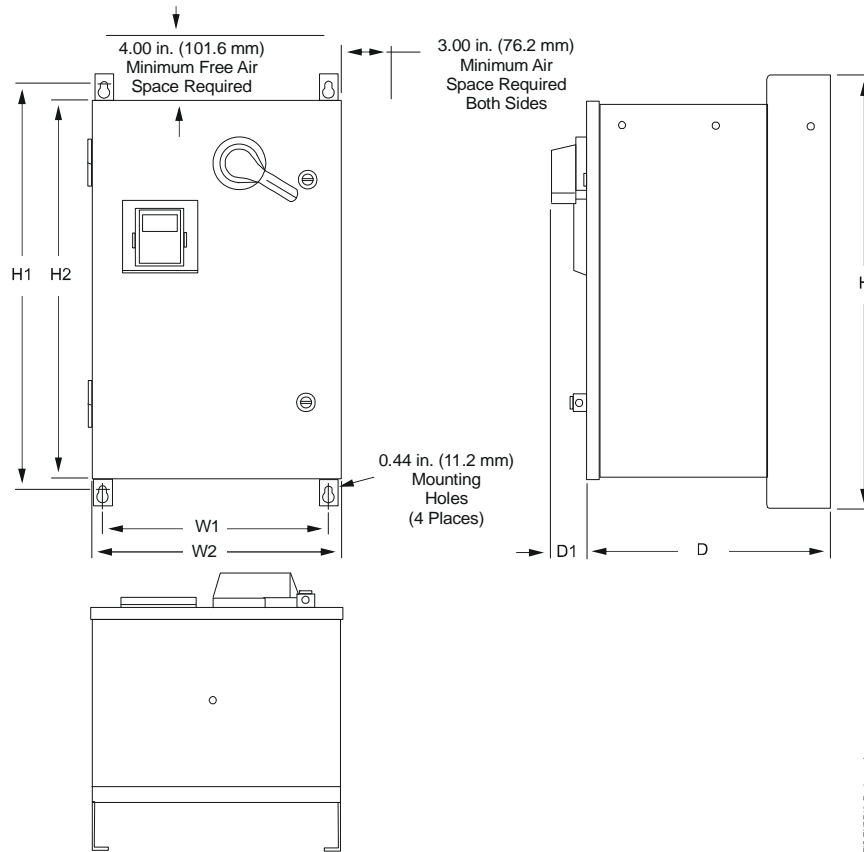


Figure 4: TYPE 12 Enclosed Drive Dimensions - Enclosure Box A

Table 46: Type 12 VSD Series Enclosed Drive Dimensions (Frames 4, 5, and 6, Enclosure Box A)

Frame Size	Dimensions in. (mm), approximate						
	H	H1	H2	W	W1	D	D1
4, 5, and 6	29 (736.6)	27 (685.8)	25-3/8 (643.9)	16-15/16 (429.8)	15-11/32 (388.6)	16-9/32 (413)	2-11/32 (59.4)

Table 47: Type 12 VSD Series Enclosed Drive Shipping Dimensions and Weight (Frames 4, 5, and 6, Enclosure Box A)

Frame	Dimensions in. (mm), approximate ¹			Weight lb (kg)
	L	W	H	
4, 5, and 6	34 (864)	22-1/2 (572)	21-1/2 (546)	160 (73)

1. Shipping dimensions L x W x H correspond to Enclosed Drive dimensions H x W x D.

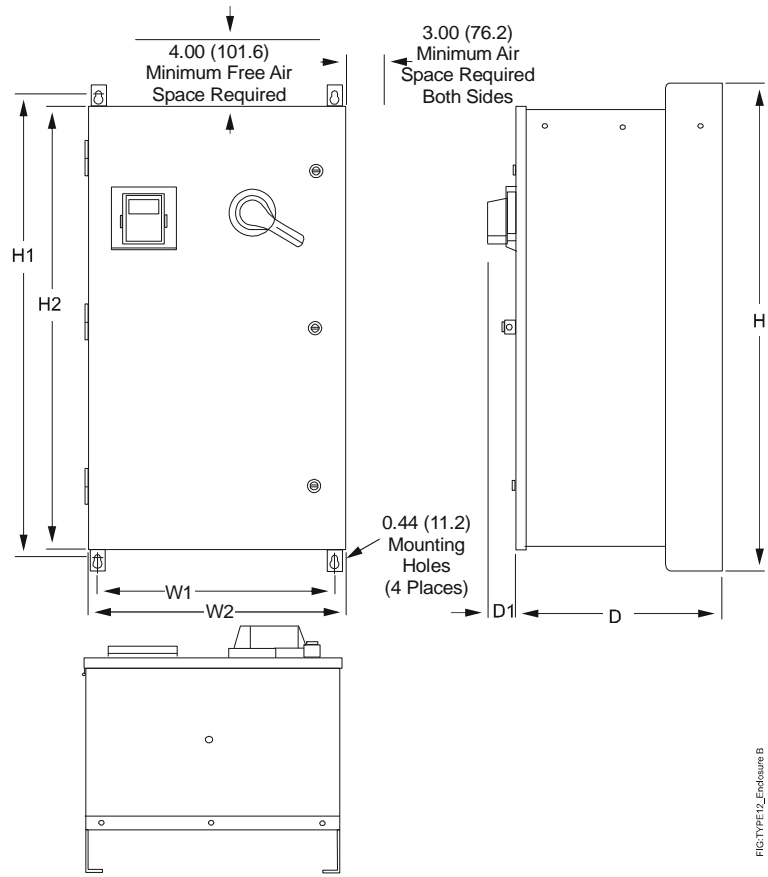


Figure 5: TYPE 12 Enclosed Drive Dimensions - Enclosure Box B

Table 48: Type 12 VSD Series Enclosed Drive Dimensions (Frames 6 and 7, Enclosure Box B)

Frame Size	Dimensions in. (mm), approximate						
	H	H1	H2	W	W1	D	D1
6 and 7	40 (1,016)	38 (965.2)	36-3/8 (923.3)	21 (531.4)	19-15/16 (490.2)	16-3/4 (425.7)	2-11/32 (2.34)

Table 49: Type 12 VSD Series Enclosed Drive Shipping Dimensions and Weight (Frames 6 and 7, Enclosure Box B)

Frame	Dimensions in. (mm), approximate ¹			Weight lb (kg)
	L	W	H	
6 and 7	48 (1,219)	27-1/2 (699)	22 (559)	229 (104)

1. Shipping dimensions L x W x H correspond to Enclosed Drive dimensions H x W x D.

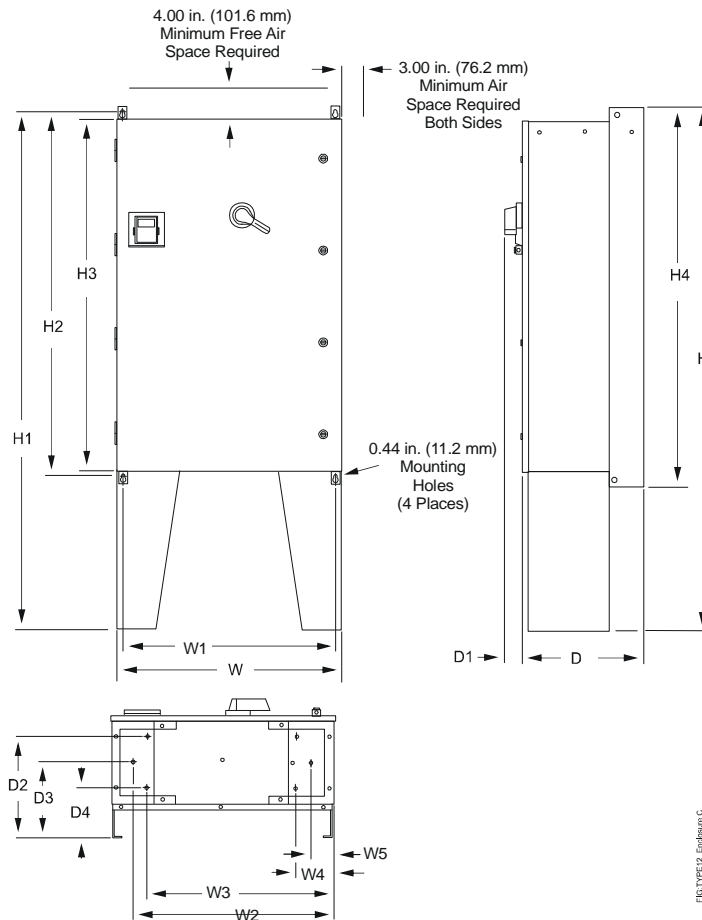


Figure 6: TYPE 12 Enclosed Drive Dimensions - Enclosure Box C

Table 50: Type 12 VSD Series Enclosed Drive Dimensions (Frame 8, Enclosure Box C)

Frame Size	Dimensions in. (mm), approximate										
	H	H1 ¹	H2	H3	H4	W	W1	W2	W3	W4	W5
8	72 (1,829)	71-3/16 (1,808)	50 (1,270)	48-3/8 (1,228)	52 (1,321)	31 (785)	29-5/16 (744)	27-15/32 (697)	25-7/16 (646)	5 (127)	3 (76)

1. Dimension includes optional 22 in. (558.8 mm) legs.

Table 51: Type 12 VSD Series Enclosed Drive Dimensions and (Frame 8, Enclosure Box C)

Frame Size	Dimensions in. (mm), approximate				
	D	D1	D2	D3	D4
8	16-25/32 (426)	2-5/16 (58)	13-29/32 (353)	10-3/8 (263)	6-13/16 (173)

Table 52: Type 12 VSD Series Enclosed Drive Shipping Dimensions and Weight (Frame 8, Enclosure Box C)

Frame	Dimensions in. (mm), approximate ¹			Weight lb (kg)
	L	W	H	
8	84 (2,134)	36 (914)	36 (914)	435 (197)

1. Shipping dimensions L x W x H correspond to Enclosed Drive dimensions H x W x D.

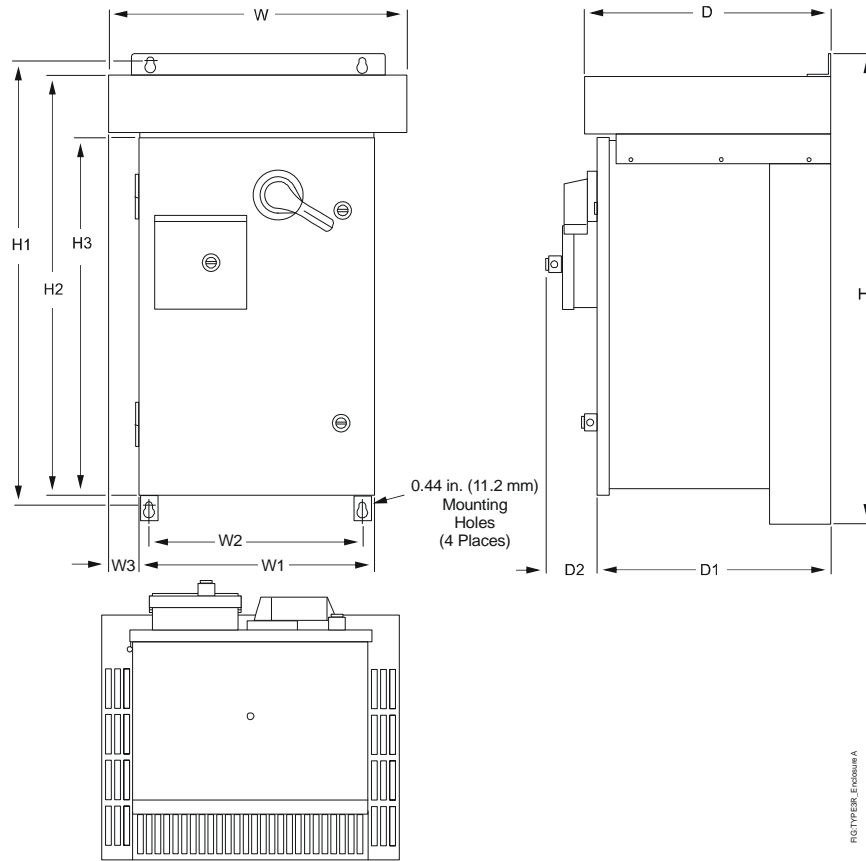


Figure 7: TYPE 3R Enclosed Drive Dimensions - Enclosure Box A

Table 53: Type 3R VSD Series Enclosed Drive Dimensions (Frames 4, 5, and 6, Enclosure Box A)

Frame Size	Dimensions in. (mm), approximate										
	H	H1	H2	H3	W	W1	W2	W3	D	D1	D2
4, 5, and 6	33 (838.2)	31-3/8 (796.5)	29-11/16 (753.6)	25-3/8 (643.9)	21-1/16 (534.7)	16-15/16 (429.8)	15-11/32 (388.6)	2-3/32 (52.6)	27-1/4 (437.9)	16-9/32 (413)	3-5/16 (84.1)

Table 54: Type 3R VSD Series Enclosed Drive Shipping Dimensions and Weight (Frames 4, 5, and 6, Enclosure Box A)

Frame	Dimensions in. (mm), approximate ¹			Weight lb (kg)
	L	W	H	
4, 5, and 6	34 (864)	22-1/2 (572)	21-1/2 (546)	215 (98)

1. Shipping dimensions L x W x H correspond to Enclosed Drive dimensions H x W x D.

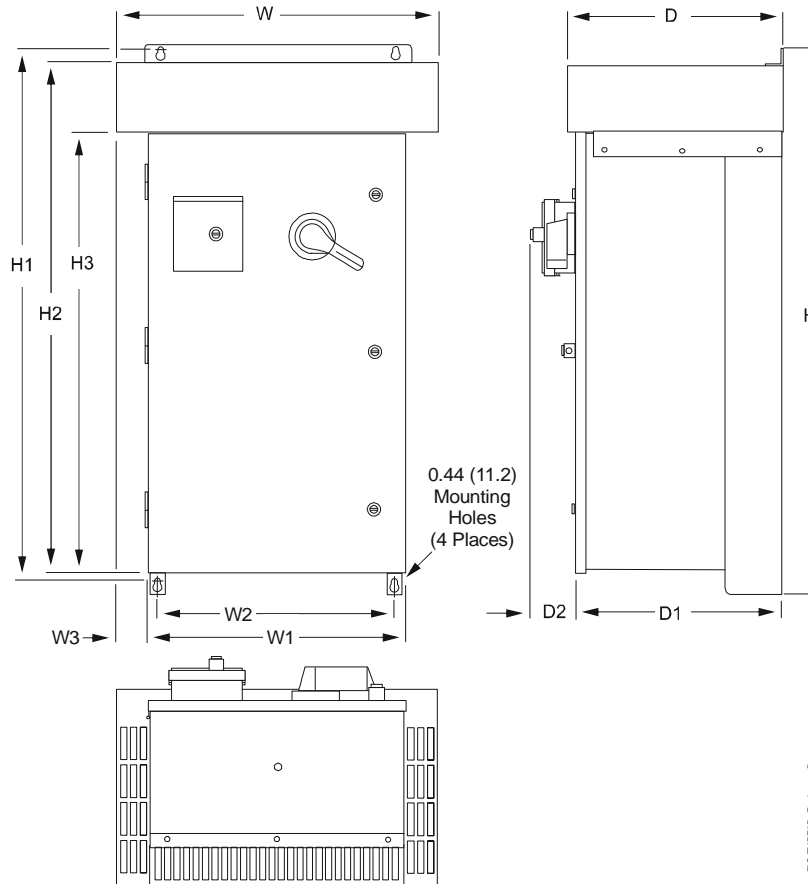


Figure 8: TYPE 3R Enclosed Drive Dimensions - Enclosure Box B

Table 55: Type 3R VSD Series Enclosed Drive Dimensions (Frames 6 and 7, Enclosure Box B)

Frame Size	Dimensions in. (mm), approximate										
	H	H1	H2	H3	W	W1	W2	W3	D	D1	D2
6 and 7	46-3/32 (1,170.7)	44-1/2 (1,129)	42-3/4 (1,086.4)	36-3/8 (923.3)	26-5/16 (668.3)	21 (531.4)	19-15/16 (490.2)	2-11/16 (68.3)	17-3/4 (450.6)	16-3/4 (425.7)	3-5/16 (984.1)

Table 56: Type 3R VSD Series Enclosed Drive Shipping Dimensions and Weight (Frames 6 and 7, Enclosure Box B)

Frame	Dimensions in. (mm), approximate ¹			Weight lb (kg)
	L	W	H	
6 and 7	48 (1,219)	27-1/2 (699)	22 (559)	290 (132)

1. Shipping dimensions L x W x H correspond to Enclosed Drive dimensions H x W x D.

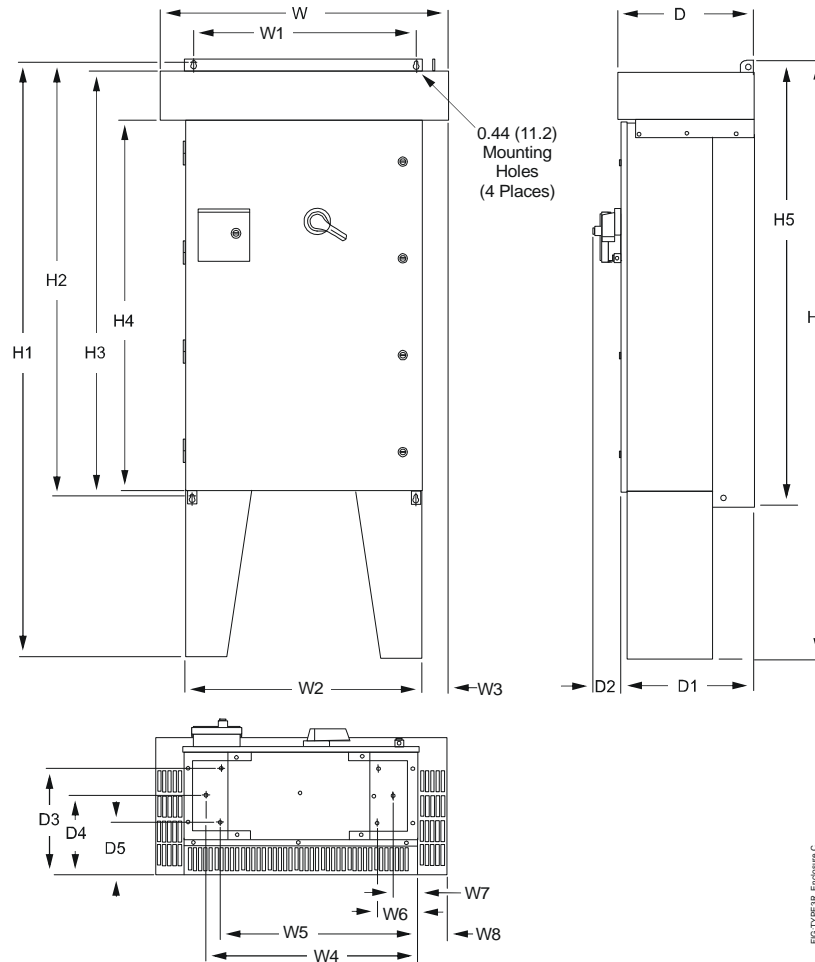


Figure 9: TYPE 3R Enclosed Drive Dimensions - Enclosure Box C

Table 57: Type 3R VSD Series Enclosed Drive Dimensions (Frame 8, Enclosure Box C)

Frame Size	Dimensions in. (mm), approximate										
	H	H1 ¹	H2	H3	H4	H5	W	W1	W2	W3	W4
8	78-1/8 (1,984)	77-21/32 (1,972)	56-13/32 (1,434)	54-25/32 (1,391)	48-3/8 (1,228)	58-1/8 (1,476)	37-3/4 (958)	29-5/16 (744)	31 (785)	3-3/8 (85)	27-15/32 (697)

1. Dimension includes optional 22 in. (558.8 mm) legs.

Table 58: Type 3R VSD Series Enclosed Drive Dimensions (Frame 8, Enclosure Box C)

Frame Size	Dimensions in. (mm), approximate									
	W5	W6	w7	W8	D	D1	D2	D3	D4	D5
8	25-17/32 (648)	5 (127)	3 (76)	3-5/8 (92)	17-3/4 (451)	16-3/4 (426)	3-5/16 (84)	13-29/32 (353)	10-3/8 (263)	6-13/16 (173)

Table 59: Type 3R VSD Series Enclosed Drive Shipping Dimensions and Weight (Frame 8, Enclosure Box C)

Frame	Dimensions in. (mm), approximate ¹			Weight lb (kg)
	L	W	H	
8	84 (2,134)	36 (914)	36 (914)	485 (220)

1. Shipping dimensions L x W x H correspond to Enclosed Drive dimensions H x W x D.

Wiring

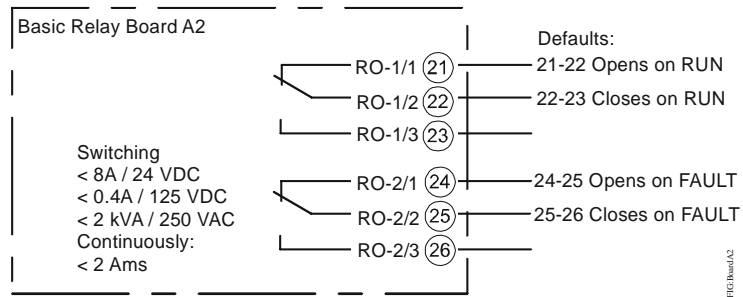


Figure 10: Option Board A2 Wiring Diagram

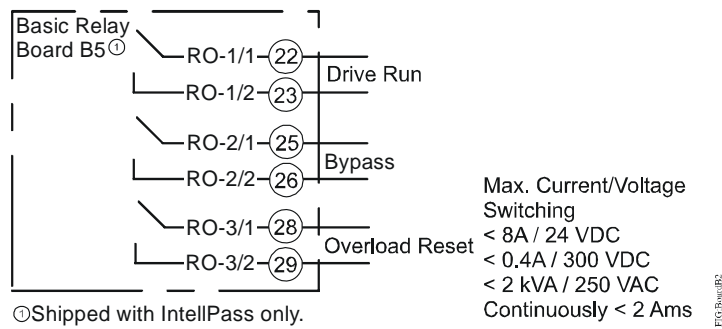


Figure 11: Option Board B2 Wiring Diagram

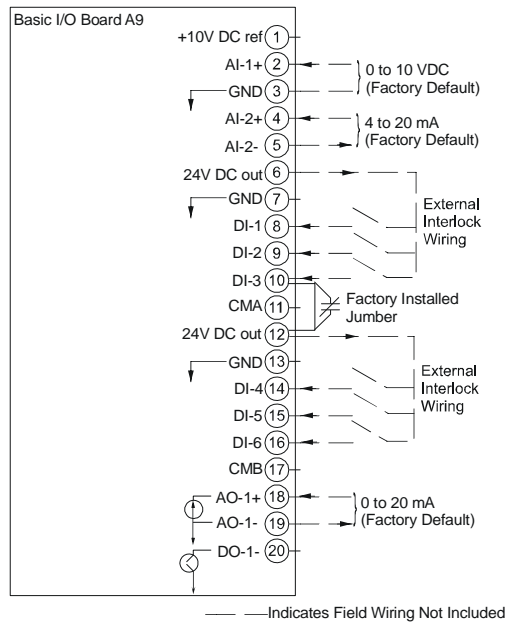


Figure 12: Option A9 Wiring Diagram

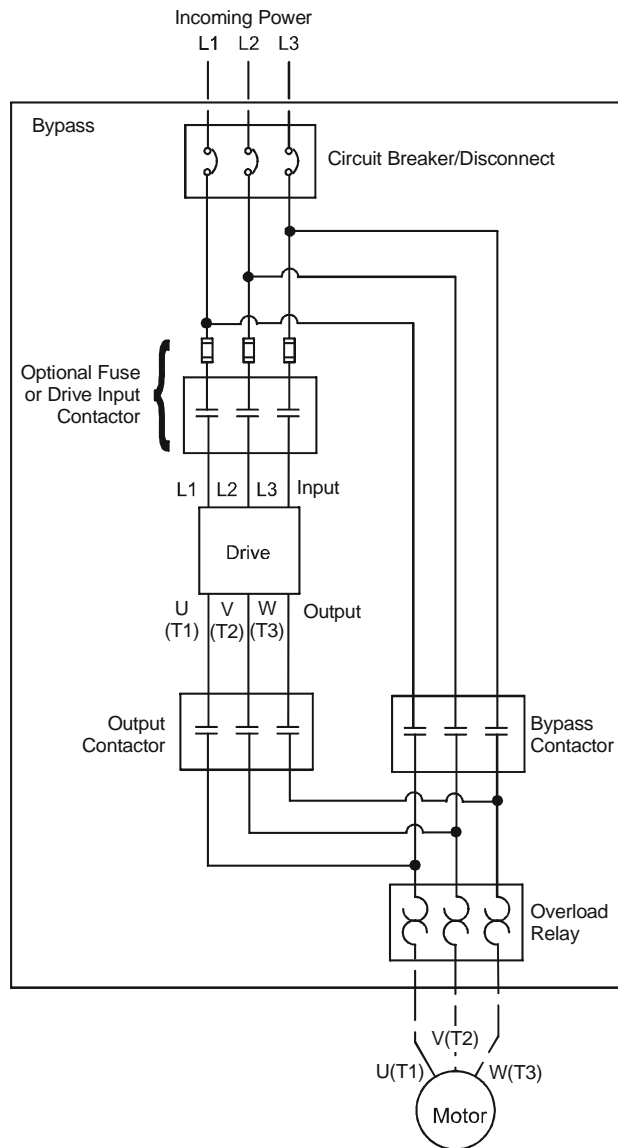


Figure 13: IntelliPass Power and Motor Terminal Wiring Example

IMPORTANT: The VSD Series Output Terminals U, V, and W correspond to a phase rotation of ABC. If the output terminals L1, L2, and L3 are not wired for ABC, the motor rotation is different when powered from the bypass instead of the VSD Series Drive, which can result in equipment damage. In this situation, the input line wiring must be changed to correspond to ABC rotation.

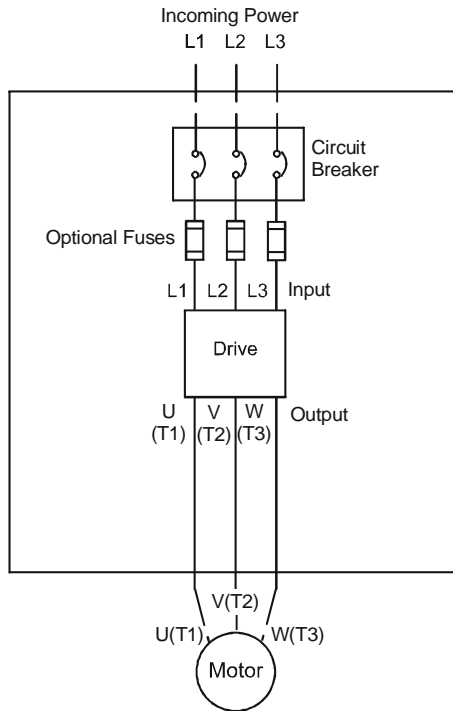


Figure 14: IntelliDisconnect Power Wiring Diagram

Technical Specifications

VSD Series Variable Speed Enclosed Drives (Part 1 of 2)

Input Voltage (V_{in})	10%/-15%
Input Frequency (f_{in})	50/60 Hz (Variation Up to 45-66 Hz)
Connection to Power	Once Per Minute or Less (Typical Operation)
Current Withstand Rating	208 V 36 kAIC 230 V 36 kAIC 480 V 36 kAIC 575 V 5 kAIC
Output Voltage	0 to V_{in}
Continuous Output Current	Ambient Temperature Maximum 104°F (40°C), Overload 1.1 x I_L (1 min./10 min.)
Starting Current	110%
Output Frequency	0 to 320 Hz
Frequency Resolution	0.01 Hz
Control Method	Frequency Control (V/f) Open Loop Sensorless Vector Control
Switching Frequency	Adjustable Parameters at 480 V 1 to 40 hp: 1 to 16 kHz; Default 10 kHz 50 to 150 hp: 1 to 10 kHz; Default 3.6 kHz
Frequency Reference	Analog Input: Resolution 0.1% (10 bit), Accuracy +/-1% Panel Reference: Resolution 0.01 Hz
Field Weakening Point	30 to 320 Hz
Acceleration Time	0 to 3,000 s
Deceleration Time	0 to 3,000 s
Braking Torque	DC Brake: 30% x T_n (without Brake Option)
Ambient Operating Temperature	14 (No Frost) to 104°F (-10 to 40°C)
Storage Temperature	-40 to 158°F (-40 to 70°C)
Relative Humidity	0 to 95% RH, Noncondensing, Noncorrosive, No Dripping Water
Air Quality	Chemical Vapors: IEC 721-3-3, Unit In Operation, Class 3C2; Mechanical Particles: IEC 721-3-3, Unit In Operation, Class 3S2
Altitude	100% Load Capacity (No Derating) Up to 3,280 ft (1,000 m); 1% Derating for Each 328 ft (100 m) Above 3,280 ft (1,000 m); Maximum 9,842 ft (3,000 m)
Vibration	EN 50178, EN 60068-2-6; 5 to 50 Hz, Displacement Amplitude 1 mm (Peak) at 3 to 15.8 Hz, Maximum Acceleration Amplitude 1 G at 15.8 to 150 Hz
Shock	EN 50178, EN 6068-2-27 United Parcel Service® (UPS) Drop Test (for Applicable UPS Weights) Storage and Shipping: Maximum 15 G, 11 ms (in package)
Enclosure Class	TYPE 1/IP21, TYPE 12, TYPE 3R
Product	IEC 61800-2, Plenum Rated
Safety	UL 508C; CSA C22.2 No. 14
EMC (at default settings)	Immunity: Fulfills all Electromagnetic Compatibility (EMC) Immunity Requirements; Emissions: EN 61800-3, LEVEL H
Air Quality Chemical Vapors	IEC721-3-3; Unit In Operation; Class 3C2

VSD Series Variable Speed Enclosed Drives (Part 2 of 2)

Mechanical Particles	IEC721-3-3, Unit In Operation Class 3S2
Analog Input Voltage	0 to 10 V, R = 200 Ohms Differential (-10 to 10 V Joystick Control) Resolution 0.1%; Accuracy $\pm 1\%$
Analog Input Current	0 (4) to 20 mA; R_i - 250 Ohms Differential
Digital Inputs (6)	Positive or Negative Logic; 18 to 24 VDC
Auxiliary Voltage	24 V $\pm 15\%$, Maximum 250 mA
Output Reference Voltage	10 V 3%, Maximum Load 10 mA
Analog Output	0 (4) to 20 mA; R_L Maximum 500 Ohms; Resolution 10 bit; Accuracy $\pm 2\%$
Digital Outputs	Open Collector Output, 50 mA/48 V
Relay Outputs	2 Programmable Form C Relay Outputs Switching Capacity: 24 VDC/8 A, 250 VAC/8 A, 125 VDC/0.4 A
Overcurrent Protection	Trip Limit $4.0 \times I_H$ Instantaneously
Overvoltage Protection	Yes
Undervoltage Protection	Yes
Earth Fault Protection	In case of earth fault in motor or motor cable, only the frequency converter is protected.
Input Phase Supervision	Trips if any of the input phases are missing.
Motor Phase Supervision	Trips if any of the output phases are missing.
Overtemperature Protection	Yes
Motor Overload Protection	Yes
Motor Stall Protection	Yes
Motor Underload Protection	Yes
Short Circuit Protection	Yes (of the 24 V and 10 V Reference Voltages)
Programmable Automatic Restart (available on Intellipass only)	Yes (disable; automatically transferred to Bypass; Reset drive only; Reset drive, if fails, then transferred to Bypass)
Power Factor (Displacement)	0.96
Reliability	500,000 MTBF
Drive Efficiency	>95%
Ratings	UL Listed File No. E244421; cUL Listed
Warranty	2 Years Standard Terms; 3 Years with Certified Startup
Reliability	500,000 hours Mean Time Between Failures (MTBF)
Line Voltage (VAC)	230 V (208 to 240 V) 480 V (380 to 500 V) 575 V (525 to 690 V)

**TYPE 12, Frames 4, 5, and 6 Enclosure Box A,
Voltage/Horsepower/Weight**

Frame	Voltage (AC)	Horsepower (VT)	Weight, lb (kg)
4	208	1 – 3	81 (37)
	230	1 – 3	
	480	1 – 7-1/2	
5	208	5, 7-1/2	89 (40)
	230	5 – 10	
	480	10 – 20	
6	208	10, 15	110 (50)
	230	15	
	480	25, 30	
	575	3 – 30	120 (54)

**TYPE 12, Frames 6 and 7 Enclosure Box B,
Voltage/Horsepower/Weight**

Frame	Voltage (AC)	Horsepower (VT)	Weight, lb (kg)
6	208	20	135 (61)
	230	20	
	480	40	
7	208	25, 30	175 (79)
	230	25, 30	
	480	50 – 75	
	575	40 – 50	185 (84)

**TYPE 12, Frame 8 Enclosure Box C,
Voltage/Horsepower/Weight**

Frame	Voltage (AC)	Horsepower (VT)	Weight, lb (kg)
8	208	40 – 60	320 (145)
	230	40 – 75	
	480	100 – 150	
	575	60 – 100	

**TYPE 3R, Frames 4, 5, and 6 Enclosure Box A,
Voltage/Horsepower/Weight**

Frame	Voltage (AC)	Horsepower (VT)	Weight, lb (kg)
4	208	1 – 3	134 (61)
	230	1 – 3	
	480	1 – 7-1/2	
5	208	5, 7-1/2	138 (63)
	230	5 – 10	
	480	10 – 20	
6	208	10, 15	160 (73)
	230	15	
	480	25, 30	
	575	3 – 30	170 (77)

**TYPE 3R, Frames 6 and 7 Enclosure Box B,
Voltage/Horsepower/Weight**

Frame	Voltage (AC)	Horsepower (VT)	Weight, lb (kg)
6	208	20	188 (85)
	230	20	
	480	40	
7	208	25, 30	225 (102)
	230	25, 30	
	480	50 – 75	
	575	40 – 50	235 (107)

**TYPE 3R, Frame 8 Enclosure Box C,
Voltage/Horsepower/Weight**

Frame	Voltage (AC)	Horsepower (VT)	Weight, lb (kg)
8	208	40 – 60	370 (138)
	230	40 – 75	
	480	100 – 150	
	575	60 – 100	



Building Efficiency
507 E. Michigan Street, Milwaukee, WI 53202

*Johnson Controls® is a registered trademark of Johnson Controls, Inc.
All other marks herein are the marks of their respective owners. © 2012 Johnson Controls, Inc.*