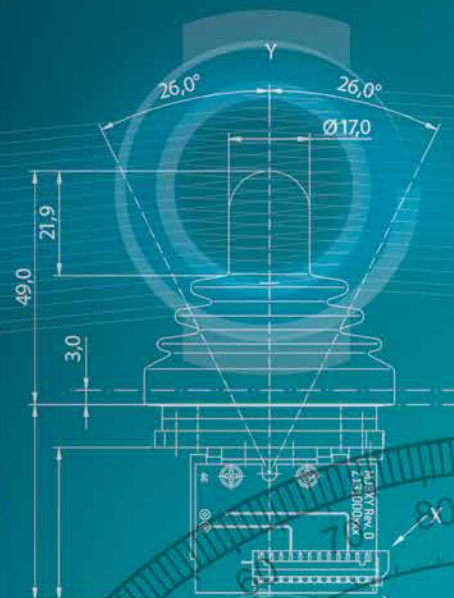




JOYSTICKS

Product Range



▶ MJ-1L



▶ MJ-2K



▶ MJ-3K



▶ MJ-4K

USA

FIRST IN SENSORS

metallux USA, Inc.

METALLUX-JOYSTICKS

MJ-2K CP OM ANALOG 1- AND 2-AXIS INDUSTRIAL JOYSTICK



| Mechanics | Technology | Operating voltage | Output signal 1 | Output signal 2 | Dimensions/ number of axis | Options | Protection class |
|----------------------|--|---------------------|---|---------------------------|--|-------------------------------------|---------------------------|
| > 5 mio. life cycles | Potentiometer, conductive plastic analog | 3 – 30 V, max. 3 mA | 10 – 90 % of operating voltage, center contact, voltage individual on request | Directional contact 1-0-1 | Grip length ca. 49 mm/ d= 17 mm, platform 48 x 48 mm, installation depth < 41 mm/1, 2 axis | Push button in the grip, cross gate | IP 66 (higher on request) |

Specifics: assembly from the top, light weight < 100 g, robust, compact

MJ-2K CP OM DIGITAL 1- AND 2-AXIS INDUSTRIAL JOYSTICK



| Mechanics | Technology | Operating voltage | Output signal 1 | Output signal 2 | Dimensions/ number of axis | Options | Protection class |
|----------------------|--|---------------------|--|---------------------------|--|-------------------------------------|---------------------------|
| > 3 mio. life cycles | Digital sensor, conductive plastic, mechanical notches | 3 – 30 V, max. 3 mA | Digital, up to 1 – 5 steps/half axis, center contact | Directional contact 1-0-1 | Grip length ca. 49 mm/ d= 17 mm, platform 48 x 48 mm, installation depth < 41 mm/1, 2 axis | Push button in the grip, cross gate | IP 66 (higher on request) |

Specifics: assembly from the top, light weight < 110 g, robust, compact, number of switch positions can be adjusted by end stops

MJ-2K CP OM ANALOG 3-AXIS INDUSTRIAL JOYSTICK



| Mechanics | Technology | Operating voltage | Output signal 1 | Output signal 2 | Dimensions/ number of axis | Options | Protection class |
|---|--|---------------------|--|---------------------------|---|----------------------------------|---------------------------|
| XY: 5 mio. life cycles Z: > 3 mio. life cycles | Potentiometer, conductive plastic analog | 3 – 30 V, max. 3 mA | 10 – 90 % of operating voltage, center contact | Directional contact 1-0-1 | Grip length ca. 59 mm/ d= 26.6 mm, platform 48 x 48 mm, installation depth < 62 mm/1, 2, 3 axis | Redundant analog signal per axis | IP 66 (higher on request) |

Specifics: assembly from the top, light weight < 125 g, robust, compact

MJ-2K CP OM DS ANALOG/DIGITAL 1- AND 2-AXIS INDUSTRIAL JOYSTICK/PUSH BUTTON SERIES IB



| Mechanics | Technology | Operating voltage | Output signal 1 | Output signal 2 | Dimensions/ number of axis | Options | Protection class |
|----------------------|---|---------------------|---|---------------------------|--|------------|---------------------------|
| > 5 mio. life cycles | Potentiometer, digital sensor, conductive plastic | 3 – 30 V, max. 3 mA | 10 – 90 % of operating voltage, digital 1 – 5 steps/half axis, center contact | Directional contact 1-0-1 | Grip length ca. 55 mm/ d= 22 mm, platform 48 x 48 mm, installation depth < 62 mm/1, 2 axis | Cross gate | IP 66 (higher on request) |

Specifics: Push button double sealed, assembly from the top, light weight < 110 g, compact, robust

MJ-2K CP OM DS ANALOG 1- AND 2-AXIS INDUSTRIAL JOYSTICK/PUSH BUTTON SERIES IB MRD 55



| Mechanics | Technology | Operating voltage | Output signal 1 | Output signal 2 | Dimensions/ number of axis | Options | Protection class |
|----------------------|--|---------------------|--|---------------------------|--|-------------------------------|---------------------------|
| > 3 mio. life cycles | Potentiometer, conductive plastic analog | 3 – 30 V, max. 3 mA | 10 – 90 % of operating voltage, center contact | Directional contact 1-0-1 | Grip length ca. 64 mm/ d= 55 mm, platform 48 x 48 mm, installation depth < 62 mm/1, 2 axis | Other grip shapes, cross gate | IP 65 (higher on request) |

Specifics: ergonomic grip shape, assembly from the top, light weight < 150 g, compact, robust

MJ-1L LINEAR 1-AXIS INDUSTRIAL JOYSTICK



| Mechanics | Technology | Operating voltage | Output signal 1 | Output signal 2 | Dimensions/ number of axis | Options | Protection class |
|----------------------|--|---------------------|---|--|---|--|---|
| > 5 mio. life cycles | Potentiometer, conductive plastic analog | 3 – 30 V, max. 3 mA | 10 – 90 % or 0 – 100% of operating voltage or reverse redundant | Directional contact or reverse redundant | Height 55 mm, platform 45 x 26 mm, installation depth < 19 mm incl. plug connector/1 axis | Longer grip, colour according to customer specifications, put 'n stay versions with or without detents | IP 66, additional protection cap (also available as soft control version) |

Specifics: little installation space required, small mounting dimensions, lever with maximum grip, lightweight < 35 g

METALLUX-JOYSTICKS



MJ-3K ANALOG CP ANALOG 1- AND 2-AXIS INDUSTRIAL JOYSTICK



| Mechanics | Technology | Operating voltage | Output signal 1 | Output signal 2 | Dimensions/ number of axis | Options | Protection class |
|----------------------|---|---------------------|-----------------------------------|---------------------------|--|---|---------------------------|
| > 5 mio. life cycles | Potentiometer, conductive plastic, analog | 3 – 30 V, max. 3 mA | 7.5 – 92.5 % of operating voltage | Directional contact 1-0-1 | Grip length ca. 55 mm/ 65 mm platform d= 59 mm, installation depth < 32 mm/1, 2 axis | Push button in the grip/ USB-interface, Hall-Technology | IP 65 (higher on request) |

Specifics: erg. grip shape, assembly from the top, light weight < 100g, compact, robust, low power consumption

MJ-3K CP XYZ ANALOG 3-AXIS INDUSTRIAL JOYSTICK



| Mechanics | Technology | Operating voltage | Output signal 1 | Output signal 2 | Dimensions/ number of axis | Options | Protection class |
|---|--|---------------------|-----------------------------------|---------------------------|--|--|---------------------------|
| XY: 5 mio. life cycles Z: 3 mio. life cycles | Potentiometer, conductive plastic analog | 3 – 30 V, max. 3 mA | 7.5 – 92.5 % of operating voltage | Directional contact 1-0-1 | Grip length ca. 62,5 mm d=26,6 mm platform d=59 mm installation depth < 45mm / 1,2,3 axis | MetaPot hermetically sealed membrane potentiometer, redundant output signal/axis | IP 65 (higher on request) |

Specifics: saltwater-proof, compact, robust, weight < 130 g

MJ-3K DIGITAL CP DIGITAL 1- AND 2-AXIS INDUSTRIAL JOYSTICK



| Mechanics | Technology | Operating voltage | Output signal 1 | Output signal 2 | Dimensions/ number of axis | Options | Protection class |
|----------------------|--|---------------------|-------------------------------------|---------------------------|--|--|---------------------------|
| > 3 mio. life cycles | Digital sensor, conductive plastic, mechanical notches | 3 – 30 V, max. 3 mA | Up to 5-0-5 (five steps/ half axis) | Directional contact 1-0-1 | Grip length ca. 55 mm/ 65 mm platform d= 59 mm, installation depth < 32 mm/1, 2, 3 axis (3. axis conductive plastic analog) | Push button in the grip/ USB-interface | IP 65 (higher on request) |

Specifics: number of switch positions can be adjusted by end stops, light weight < 110 g, compact, robust

MJ-3K BRS 1- AND 2-AXIS INDUSTRIAL JOYSTICK WITH STEPLESS BRAKE



| Mechanics | Technology | Operating voltage | Output signal 1 | Output signal 2 | Dimensions/ number of axis | Options | Protection class |
|----------------------|--|-------------------|-----------------------------------|---------------------------|--|---|---------------------------|
| > 1 mio. life cycles | MetaPot hermetically sealed membrane potentiometer | 3 – 30 V | 7.5 – 92.5 % of operating voltage | Directional contact 1-0-1 | Grip length ca. 55 mm/ 65 mm platform d= 59 mm, installation depth ca. 32 mm without connector plug, 1, 2 axis | Conductive plastic-technology, mechanical detents | IP 65 (higher on request) |

Specifics: flexible, compact, robust, weight < 150 g

MJ-4K JOYSTICK HALL-EFFECT



| Mechanics | Technology | Operating voltage | Output signal 1 | Output signal 2 | Dimensions/ number of axis | Options | Protection class |
|----------------------|-------------|-------------------|-----------------|--|---|--|------------------|
| > 5 mio. life cycles | Hall-Effect | 5 V | 0.5 – 4.5 V | optional: 0.5 – 4.5 V, reverse redundant | Grip length ca. 52 mm platform 45 x 45 mm, installation depth < 20 mm | Various grip designs, other output signals | IP 65 |

Specifics: robust against vibration, low installation depth, with closed gaiter handle length: 57 mm

SPECIAL FEATURES AND GENERAL OPTIONS:

Robust, compact, light weight, various sensor technologies available, USB-interface, cross gate, customer-specific grips, low installation depth, little installation space required, various electrical connections available as standard

www.metallux-usa.com

© www.metallux-usa.com 01/2016



METALLUX USA, INC.

2340 Brighton Henrietta | Town Line Road, Suite 4
Rochester, NY 14623 | USA
PHONE: +1 (585) 360-0054 | FAX: +1 (866) 429-0360
E-mail: info@metallux-usa.com

REPRESENTED BY REICHENBACH INTERNATIONAL INC.

2080 Stonesgate Street
Westlake Village, CA 91361 | USA
PHONE: +1 (805) 495-7003 | www.reichenbachintl.com
E-mail: Andrew@reichenbachintl.com