



JUNIORFLUX

INNOVATORS
IN FLOW TECHNOLOGY

JUNIORFLUX – THE SMALL POWER PACKAGE

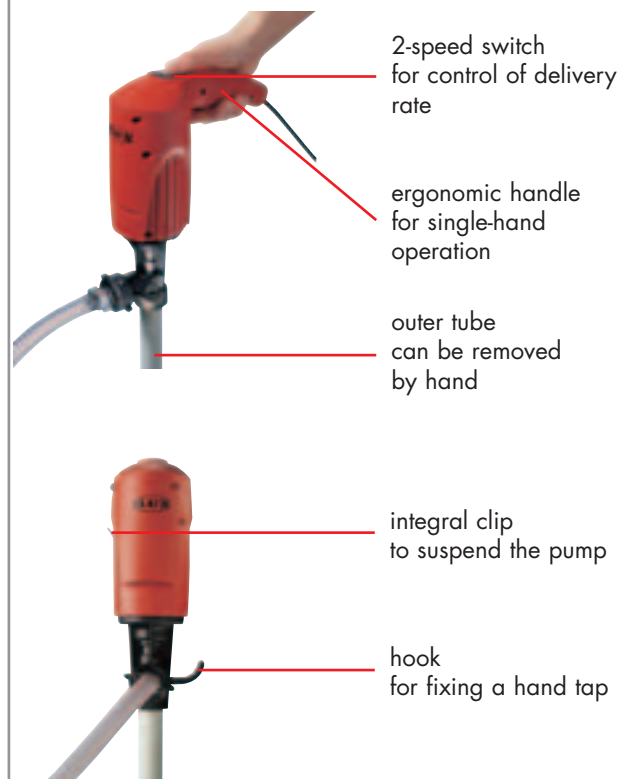


For filling, emptying, transferring or dispensing small amounts of liquid out of carboys, hobbocks, canisters, narrow-necked containers or barrels FLUX now offers a better performance: the new JUNIORFLUX pumps type F 310 and F 314.

The JUNIORFLUX pumps are available in polypropylene (PP), polyvinylidenfluoride (PVDF) or stainless steel (S), both in version with mechanical seal Type F 310 or sealless Type F 314.

A powerful 230 Watt commutator motor with a 2-speed switch allows sensitive, fast and therefore low-cost and safe filling operations. The motor is built to protection class II, splash-proof and comprises an overload cut-out switch. Another feature is the modern and ergonomically structured design for single-hand operation.

The new JUNIORFLUX pump can be used in almost every field of industry. With a weight of 2 kg and being easy to handle, it may be used wherever small amounts of low flammability liquids, like acids, alkaline solutions, solvents, detergents, etc. must be decanted. Major fields of application are laboratories, chemical store rooms and workshops.



SPECIAL FEATURES AND BENEFITS:

- high safety factor: powerful 230 Watt motor with built-in overload cut-out switch, double insulated and splash-proof
- 2-speed switch for sensitive filling operations
- ergonomic handle
- version in 230 Volt tested to German VDE and GS specifications
- pump with mechanical seal in polypropylene (PP) or sealless pumps in polypropylene (PP), polyvinylidenfluoride (PVDF) or stainless steel 316 Ti (S)
- easy cleaning: outer tube can be removed by hand
- integral clip to suspend the pump
- hook on pump outlet for fixing a hand tap



JUNIORFLUX F 310 PP, with mechanical seal JUNIORFLUX F 314 PP, sealless JUNIORFLUX F 314 PVDF, sealless JUNIORFLUX F 314 S, sealless	4 – 5
Pump Kit and Accesories The Great Range of FLUX Pumps	6 – 7

EXAMPLES OF LIQUIDS, THE JUNIORFLUX PUMPS CAN BE USED FOR:

F 310 PP and F 314 PP: acetic acid up to 80 %, ammonia water, boric acid, caustic soda, caustic potash solution, citric acid, formic acid, fruit acids, lactic acid, liquid fertilizers, liquid soap, phosphoric acid, photo developers, distilled water.

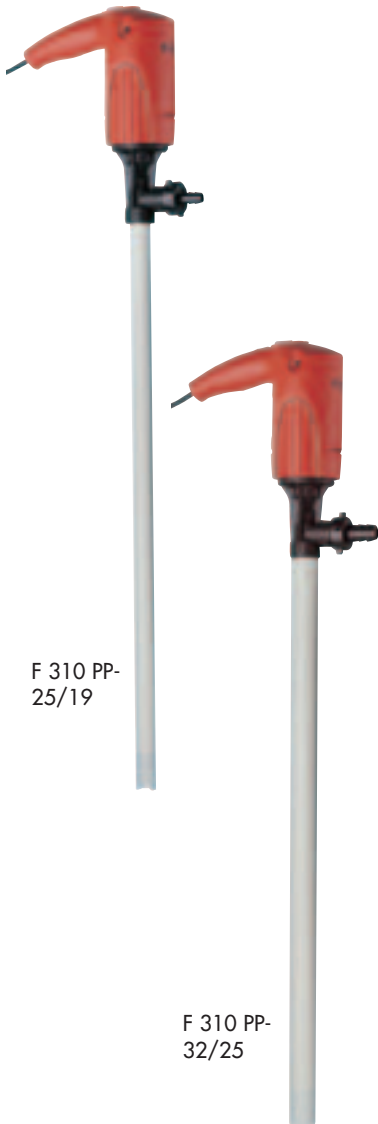
For short periods: chlorine water, hydrochloric acid, hydrofluoric acid, sulphuric acid.

Type F 314 PVDF: chromic acid, nitric acid, sulphuric acid as well as all liquids listed under PP (except caustic soda).

F 314 S: acetic acid up to 80 %, ammonia water, caprylic acid, caustic soda, caustic potash solution, fatty acids, lactic acid, methylenechloride, nitric acid up to 40 %, perchloroethylene, trichloroethylene.

A detailed **Resistance Chart** on further liquids is available on request.

JUNIORFLUX F 310 PP WITH MECHANICAL SEAL



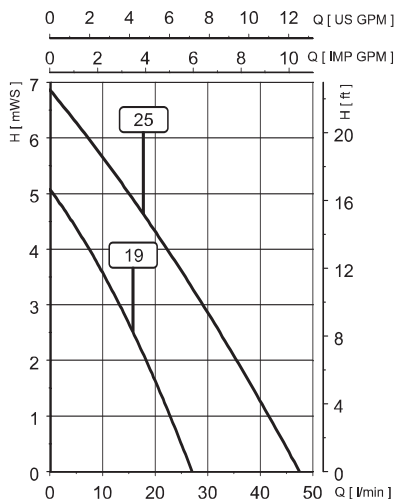
F 310 PP-25/19

F 310 PP-32/25

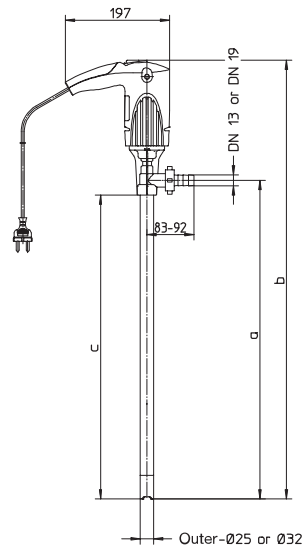
Type/Curve	F 310 PP-25/19	F 310 PP-32/25
Delivery rate max.	27 l/min	47 l/min
Delivery head max.	5,0 m	6,8 m
Viscosity max.	500 mPas (cP)	500 mPas (cP)
Temperature max.	45 °C	45 °C
Seal type	mechanical seal	mechanical seal
Material (wetted parts)	Polypropylene, ETFE, ceramic oxide/PTFE/carbon, FKM, Hastelloy C	
Outer-Ø	25 mm	32 mm
Thread on outlet	G 1 A (BSP 1" male) Hose connections DN 13 and DN 19 included with the pump.	
Motor	Commutator motor 230 Watt, 240, 230, 50 Hz or 110 Volt, 50-60 Hz, double insulated, protection class II, splash-proof to IP 24, with overload cut-out switch, 2-speed switch, 5 m power supply cable with 2-pole plug	
Part No. 230 Volt*/Weight		
Immersion length 500 mm	310 41 005 /1,8 kg	310 42 005 /1,8 kg
Immersion length 700 mm	310 41 007 /2,0 kg	310 42 007 /2,0 kg
Immersion length 1000 mm	310 41 010 /2,1 kg	310 42 010 /2,1 kg
Part No. 240 Volt*/Weight		
Immersion length 500 mm	310 41 405 /1,8 kg	310 42 405 /1,8 kg
Immersion length 700 mm	310 41 407 /2,0 kg	310 42 407 /2,0 kg
Immersion length 1000 mm	310 41 410 /2,1 kg	310 42 410 /2,1 kg
Part No. 110 Volt*/Weight		
Immersion length 500 mm	310 41 205 /1,8 kg	310 42 205 /1,8 kg
Immersion length 700 mm	310 41 207 /2,0 kg	310 42 207 /2,0 kg
Immersion length 1000 mm	310 41 210 /2,1 kg	310 42 210 /2,1 kg

*tested to German VDE and GS specifications

Performance Chart



Dimensions F 310 PP-25/19 and F 310 PP-32/25



1000	1002	1229	974
700	702	929	674
500	502	729	474
300	302	529	274
IL	a	b	c

JUNIORFLUX F 314 PP, F 314 PVDF AND F 314 S SEALLESS

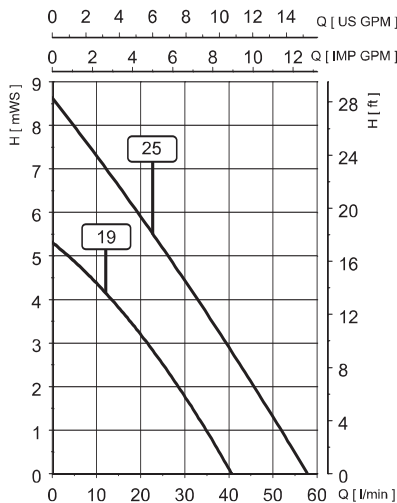


F 314 S-28/25

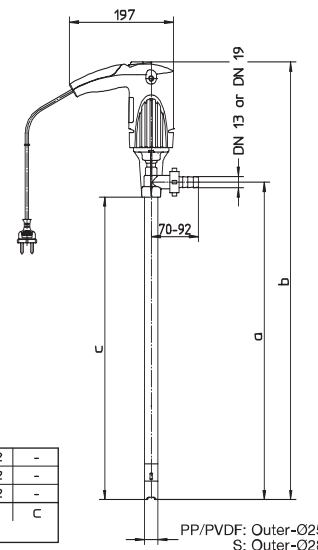
Type/Curve	F 314 PP-25/19	F 314 PVDF-25/19	F 314 S-28/25
Delivery rate max.	40 l/min	40 l/min	57 l/min
Delivery head max.	5,2 m	5,2 m	8,5 m
Temperature max.	500 mPas (cP)	500 mPas (cP)	500 mPas (cP)
Temperatur max.	45 °C	45 °C	60 °C
Dichtungsart	sealless	sealless	sealless
Material (wetted parts)	Polypropylene, ETFE PTFE/carbon, Hastelloy C	Polyvinylidenfluoride, ETFE PTFE/carbon, Hastelloy C	Stainless steel 316 Ti, ETFE, PTFE/carbon
Outer-Ø	25 mm	25 mm	28 mm
Thread on outlet	G 1 A (BSP 1" male) Hose connections DN 13 and DN 19 included with the pump	G 1 A (BSP 1" male) Hose connections DN 13 and DN 19 included with the pump	G 3/4 A (BSP 3/4" male) Part Numbers of Hose connections see Accessories Page 6
Motor	Commutator motor 230 Watt, 240, 230, 50 Hz or 110 Volt, 50-60 Hz, double insulated, protection class II, splash-proof to IP 24, with overload cut-out switch, 2-speed switch, 5 m power supply cable with 2-pole plug.		
Part No. 230 Volt/Weight			
Immersion length 500 mm	314 41 005/1,8 kg	314 61 005/2,0 kg	314 21 005/2,8 kg
Immersion length 700 mm	314 41 007/2,0 kg	314 61 007/2,2 kg	314 21 007/3,0 kg
Immersion length 1000 mm	314 41 010/2,1 kg	314 61 010/2,4 kg	314 21 010/3,2 kg
Part No. 240 Volt/Weight			
Immersion length 500 mm	314 41 405/1,8 kg	314 61 405/2,0 kg	314 21 405/2,8 kg
Immersion length 700 mm	314 41 407/2,0 kg	314 61 407/2,2 kg	314 21 407/3,0 kg
Immersion length 1000 mm	314 41 410/2,1 kg	314 61 410/2,4 kg	314 21 410/3,2 kg
Part No. 110 Volt/Weight			
Immersion length 500 mm	314 41 205/1,8 kg	314 61 205/2,0 kg	314 21 205/2,8 kg
Immersion length 700 mm	314 41 207/2,0 kg	314 61 207/2,2 kg	314 21 207/3,0 kg
Immersion length 1000 mm	314 41 210/2,1 kg	314 61 210/2,4 kg	314 21 210/3,2 kg

*tested to German VDE and GS specifications

Performance Chart



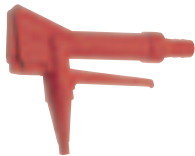
Dimensions F 314 PP/PVDF-25/19 and F 314 S-28/25



1000	1000	1203	972	989	1192	-
700	700	903	672	689	892	-
500	500	703	472	489	692	-
IL	a	b	c	a	b	c
	PP/PVDF			S		

PP/PVDF: Outer-Ø25
S: Outer-Ø28

PUMP KIT AND ACCESSORIES



Description	Part No./Weight
FLUX Pump Kit JUNIORFLUX , consisting of:	314 43 007/2,40 kg
1 JUNIORFLUX F 314 PP-25/19 230 Volt, 50 Hz, 230 Watt, IP 24, immersion length 700 mm	
1 Hose connection PP, DN 13	
1,5 m flexible PVC hose DN 13	
2 Hose clips	
1 Lever tap PP, DN 13	
Lever Tap PP with small outlet nozzle	
for filling and dispensing of neutral or corrosive liquids. Material: Polypropylene; seal: FKM	
Inlet with hose connector DN 13, outlet nozzle Ø 11 mm	001 13 034/0,11 kg
Inlet with hose connector DN 19, outlet nozzle Ø 20 mm	001 13 000/0,11 kg
Flexible PVC hose with wire-helix	
for neutral or corrosive liquids. Operating pressure: max. 2 bar Temperature: max. 60 °C	
Nominal-Ø DN 13, outer-Ø 18 mm	001 10 039/0,21 kg
Nominal-Ø DN 19, outer-Ø 27 mm	001 10 040/0,34 kg
Hose clips	
in steel, chromium-zinc-plated	
Clamping range 15 – 18 mm	959 13 127/0,01 kg
Clamping range 27 – 31 mm	959 13 071/0,01 kg
Fume gland	
prevents highly corrosive vapours, which may cause damage to the operator and the environment, from escaping the container.	
Valve part in polypropylene (PP) with ball valve and union nut	
for outer-Ø 25 mm	001 14 309/0,11 kg
for outer-Ø 32 mm	001 14 313/0,11 kg
Threaded ring in polypropylene (PP), flat seal in FKM	
Male thread G 2	001 14 218/0,09 kg
Male thread S 57 x 4	001 14 224/0,09 kg
Hose connection complete	
consisting of nut, hose connector and seal	
with nut G 3/4 female for F 314 S:	
Nominal-Ø DN 13, material: stainless steel (S)	959 04 133/0,03 kg
Nominal-Ø DN 19, material: stainless steel (S)	959 04 147/0,03 kg
with nut G 1 female for F 310/314 PP:	
Nominal-Ø DN 13, material: Polypropylene (PP)	959 04 073/0,02 kg
Nominal-Ø DN 19, material: Polypropylene (PP)	959 04 074/0,02 kg
with nut G 1 female for F 314 PVDF:	
Nominal-Ø DN 13, material: Polyvinylidenfluoride (PVDF)	959 04 071/0,01 kg
Nominal-Ø DN 19, material: Polyvinylidenfluoride (PVDF)	959 04 072/0,01 kg



YES!

I am interested in top class pump technology.
Please send the following catalogues:

- | | |
|---|--|
| <input type="checkbox"/> FLUX BARREL AND CONTAINER PUMPS | <input type="checkbox"/> FLUX AIR-OPERATED DIAPHRAGM PUMPS |
| <input type="checkbox"/> FLUX PUMP KITS | <input type="checkbox"/> FLUX MIXERS |
| <input type="checkbox"/> FLUX HIGH VISCOSITY LIQUID PUMPS | <input type="checkbox"/> FLUX LIQUID METERS |
| <input type="checkbox"/> FLUX CENTRIFUGAL IMMERSION PUMPS | <input type="checkbox"/> FLUX PROCESS CONTROL SYSTEM PCS |

Mr. / Mrs

Company

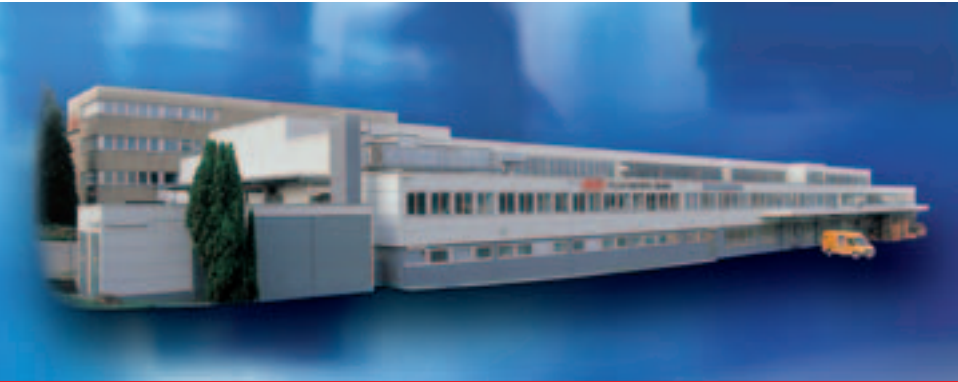
Address

Telephone

Fax

e-mail

Please mark with a cross, complete the address and then sent us a fax. Fax number see on the back side!



INNOVATORS IN FLOW TECHNOLOGY

All around the globe, FLUX is synonymous with top standards in pump technology. Whether it is barrel pumps, high viscosity liquid pumps, vertical centrifugal immersion pumps, air-operated diaphragm pumps, liquid meters, mixers or top class accessories – FLUX with its complete and comprehensive range is always the one to address to. Benefit from our competence. We look forward to hearing from you!

FLUX-GERÄTE GMBH
Talweg 12 · D-75433 Maulbronn
Tel. 070 43/101-0 · Fax 070 43/101-444
Fax International +49 70 43 / 1 01 -555
info@flux-pumpen.de · www.flux-pumpen.com