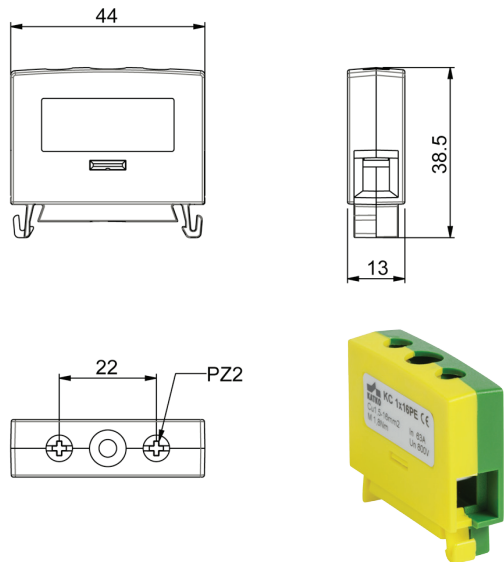


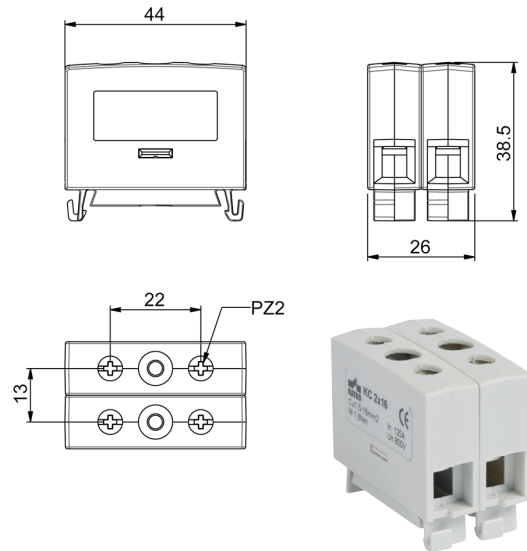
# TERMINAL BLOCKS

IEC 61238-1 Class A

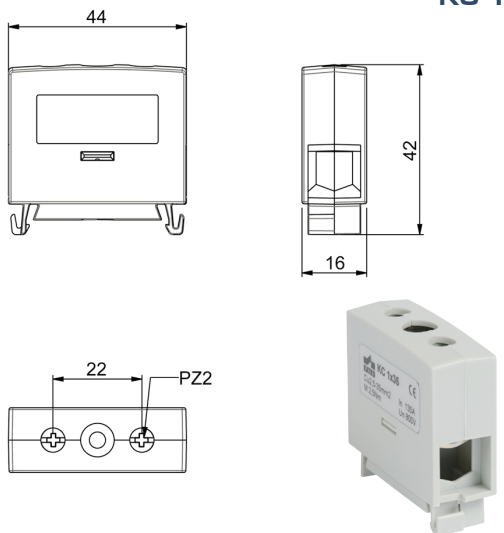
## KC 1x16



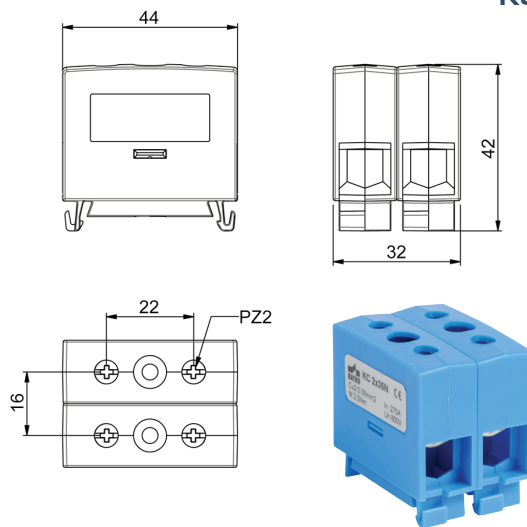
## KC 2x16



## KC 1x35



## KC 2x35



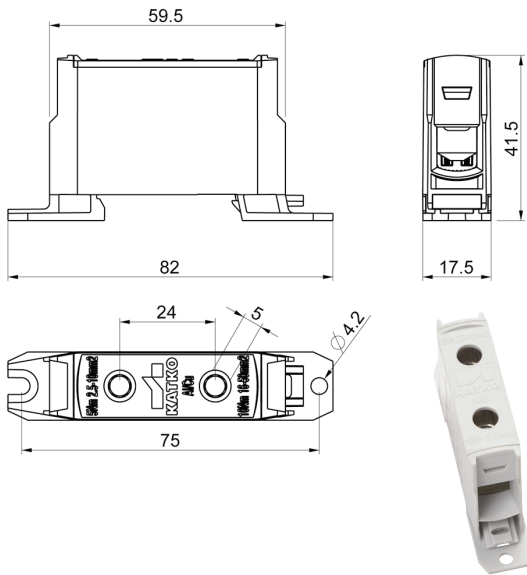
Type	EAN code	Un (V)	In (Al) (A)	In (Cu) (A)	Al/Cu mm <sup>2</sup>	Torque Al/Cu (Nm)	Key size	Mounting	Weight kg
	6419410...								
KC 1x16	...357200								
KC 1x16N	...357217	800	-	63	1.5-16	1.8	PZ2	DIN	0,021
KC 1x16PE	...357224								
KC 2x16	...357507								
KC 2x16N	...357514	800	-	125	1.5-16	1.8	PZ2	DIN	0,047
KC 2x16PE	...357521								
KC 1x35	...357231								
KC 1x35N	...357248	800	-	135	2.5-35	2.5	PZ2	DIN	0,03
KC 1x35PE	...357255								
KC 2x35	...357538								
KC 2x35N	...357545	800	-	270	2.5-35	2.5	PZ2	DIN	0,069
KC 2x35PE	...357552								

### Conductors

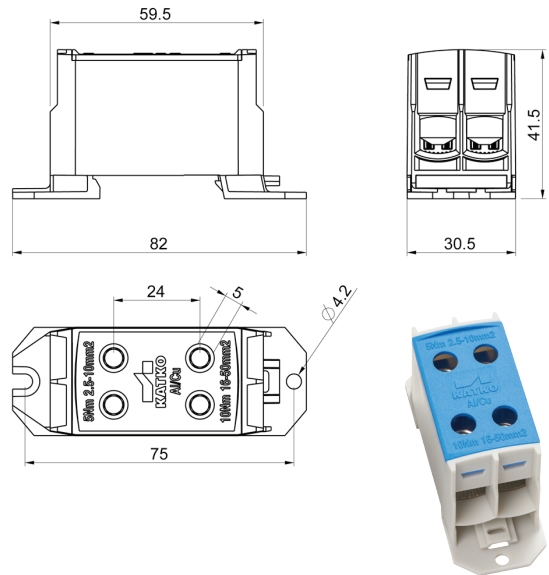
Type	Conductor	1,5	2,5	4	6	10	16	25	35	50	70	95	120	150	185
1/2x16*	Al	-	-	-	-	-	-	-	-	-	-	-	-	-	-
	Cu	2	2	2	2	1	1**	-	-	-	-	-	-	-	-
1/2x35*	Al	-	-	-	-	-	-	-	-	-	-	-	-	-	-
	Cu	-	2	2	2	2	1	1	1**	-	-	-	-	-	-

\* N = Blue = only for 1 neutral conductor, \* PE = Yellow/Green = only for 1 protective conductor, \*\* Biggest fine-strand conductors

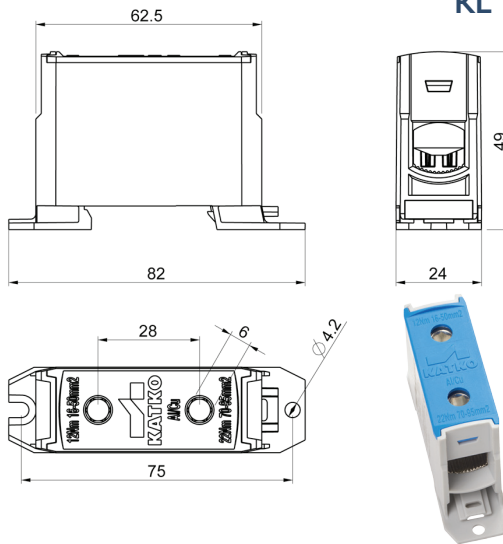
## KL 1x50



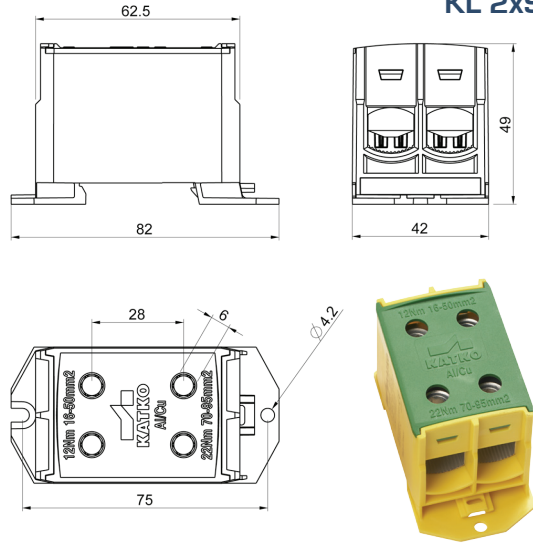
## KL 2x50



## KL 1x95



## KL 2x95



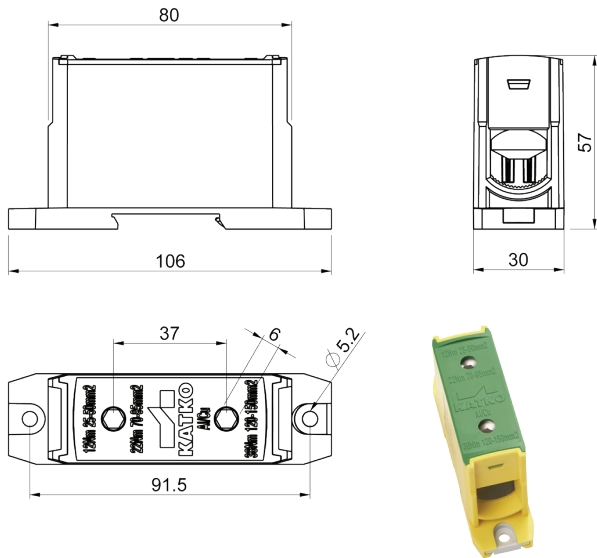
Type	EAN code	Un	In (Al)	In (Cu)	Al/Cu	Torque Al/Cu	Key size	Mounting	Weight
	6419410...	(V)	(A)	(A)	mm <sup>2</sup>	(Nm)			
KL1x50	...378250					5 (2.5 - 16 mm <sup>2</sup> )	Hex 5	Screw / DIN	0.060
KL1x50N	...378267	1000	160	160	2.5 - 50	/			
KL1x50PE	...378274					10 (25 - 50 mm <sup>2</sup> )			
KL2x50	...378281					5 (2.5 - 16 mm <sup>2</sup> )	Hex 5	Screw / DIN	0.104
KL2x50N	...378298	1000	200	320	2.5 - 50	/			
KL2x50PE	...378304					10 (25 - 50 mm <sup>2</sup> )			
KL1x95	...378311					12 (16 - 50 mm <sup>2</sup> )	Hex 6	Screw / DIN	0.096
KL1x95N	...378328	1000	200	245	16 - 95	/			
KL1x95PE	...378335					22 (70 - 95 mm <sup>2</sup> )			
KL2x95	...378342					12 (16 - 50 mm <sup>2</sup> )	Hex 6	Screw / DIN	0.169
KL2x95N	...378359	1000	400	490	16 - 95	/			
KL2x95PE	...378366					22 (70 - 95 mm <sup>2</sup> )			

### Conductors

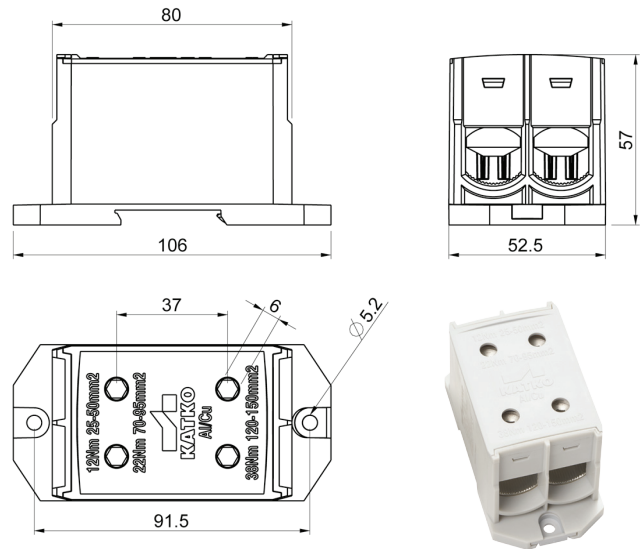
Type	Conductor	2,5	4	6	10	16	25	35	50	70	95	120	150	185	240
1/2x50*	Al	1	1	1	1	1	1	1	1	-	-	-	-	-	-
	Cu	3	3	3	3	2	1	1**	1	-	-	-	-	-	-
1/2x95*	Al	-	-	-	-	1	1	1	1	1	1	-	-	-	-
	Cu	-	-	-	-	3	2	2	1	1**	1	-	-	-	-

\* N = Blue = only for 1 neutral conductor, \* PE = Yellow/Green = only for 1 protective conductor, \*\* Biggest fine-strand conductors

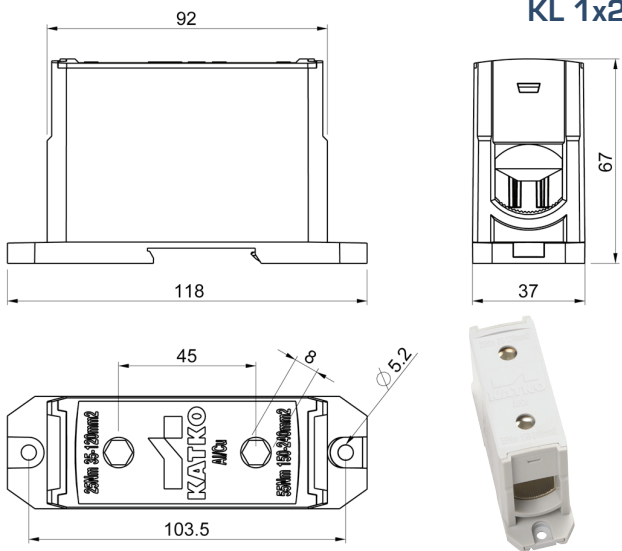
## KL 1x150



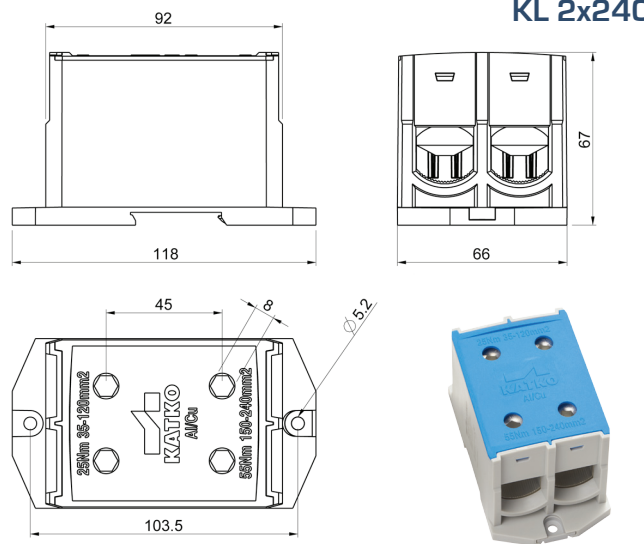
## KL 2x150



## KL 1x240



## KL 2x240



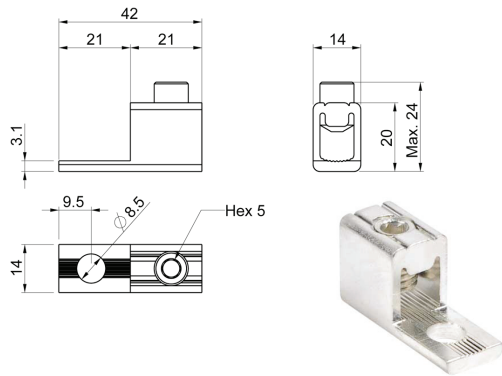
Type	EAN code	Un (V)	In (Al) (A)	In (Cu) (A)	Al/Cu mm <sup>2</sup>	Torque Al/Cu (Nm)	Key size	Mounting	Weight kg
	6419410...								
KL1x150	...378373					12 (25 - 50 mm <sup>2</sup> ) /	Hex 6	Screw / DIN	0.181
KL1x150N	...378380	1000	250	320	25 - 150	22 (70 - 95 mm <sup>2</sup> ) /			
KL1x150PE	...378397					38 (120 - 150 mm <sup>2</sup> )			
KL2x150	...378403					12 (25 - 50 mm <sup>2</sup> ) /	Hex 6	Screw / DIN	0.317
KL2x150N	...378410	1000	500	640	25 - 150	22 (70 - 95 mm <sup>2</sup> ) /			
KL2x150PE	...378427					38 (120 - 150 mm <sup>2</sup> )			
KL1x240	...378434					25 (35 - 120 mm <sup>2</sup> )	Hex 8	Screw / DIN	0.293
KL1x240N	...378441	1000	315	425	35 - 240	/			
KL1x240PE	...378458					55 (150 - 240 mm <sup>2</sup> )			
KL2x240	...378465					25 (35 - 120 mm <sup>2</sup> )	Hex 8	Screw / DIN	0.522
KL2x240N	...378472	1000	630	850	35 - 240	/			
KL2x240PE	...378489					55 (150 - 240 mm <sup>2</sup> )			

### Conductors

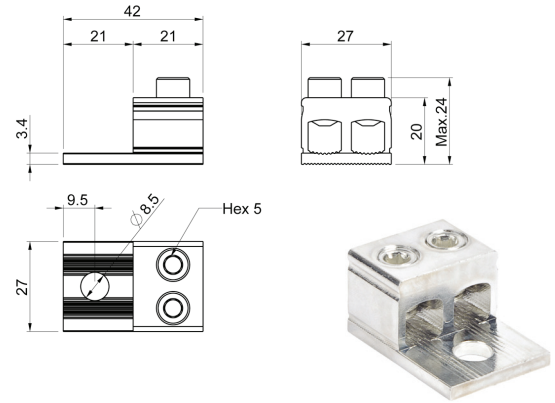
Type	Conductor	2,5	4	6	10	16	25	35	50	70	95	120	150	185	240
1/2x150*	Al	-	-	-	-	-	1	1	1	1	1	1	1	-	-
	Cu	-	-	-	-	-	3	3	2	1	1	1**	1	-	-
1/2x240*	Al	-	-	-	-	-	-	1	1	1	1	1	1	1	1
	Cu	-	-	-	-	-	-	3	3	2	1	1	1	1**	1

\* N = Blue = only for 1 neutral conductor, \* PE = Yellow/Green = only for 1 protective conductor, \*\* Biggest fine-strand conductors

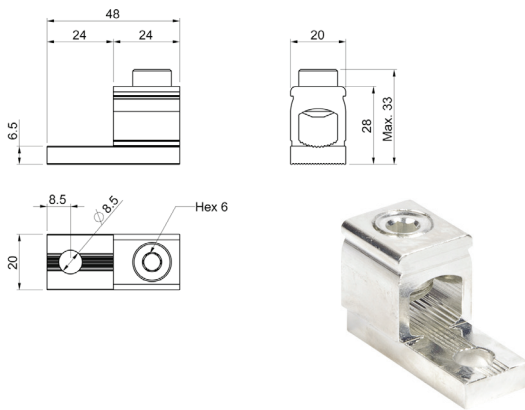
## KKL 1x50



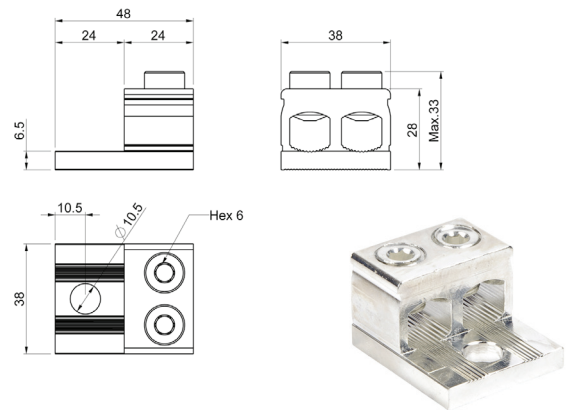
## KKL 2x50



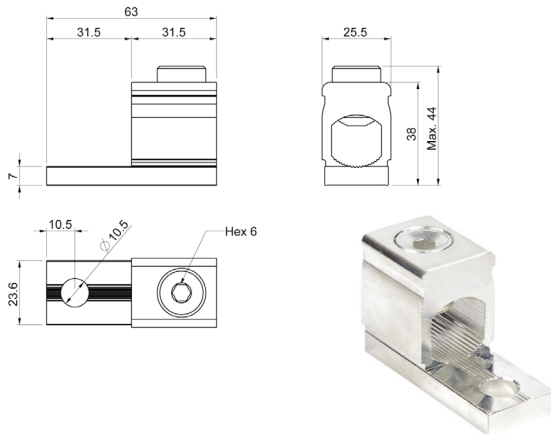
## KKL 1x95



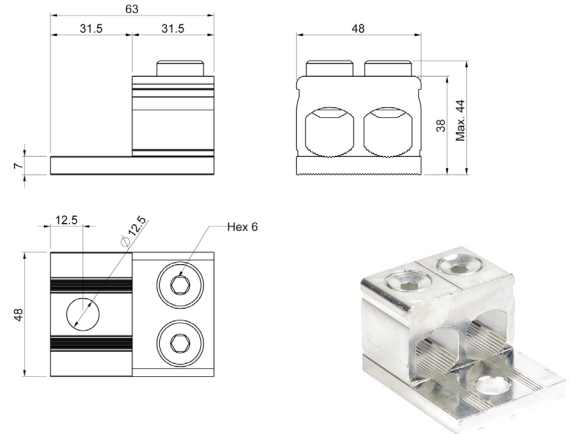
## KKL 2x95



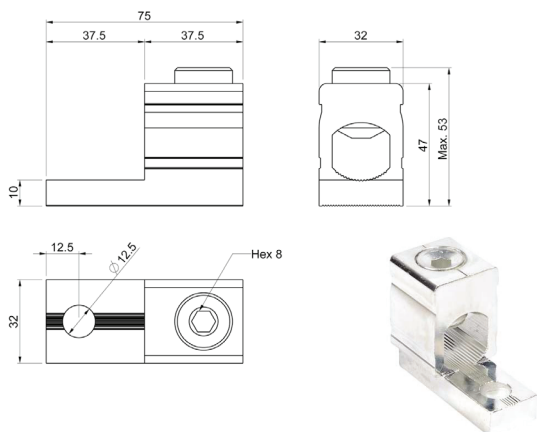
## KKL 1x150



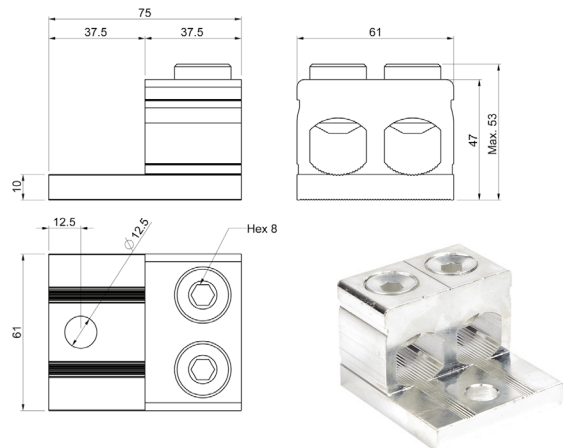
## KKL 2x150



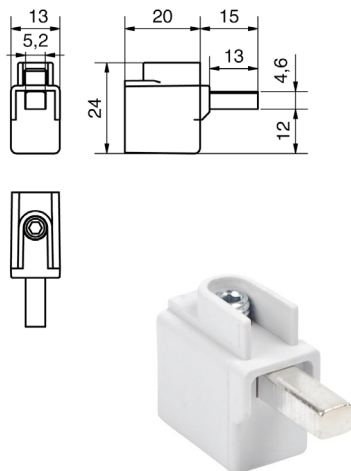
## KKL 1x240



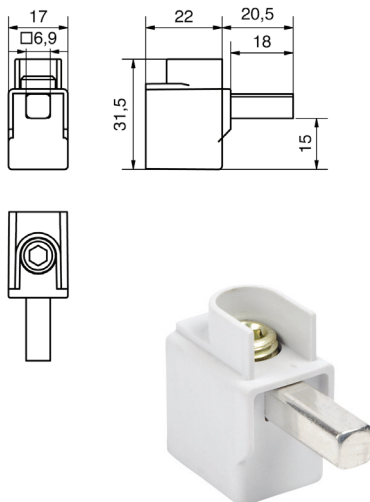
## KKL 2x240



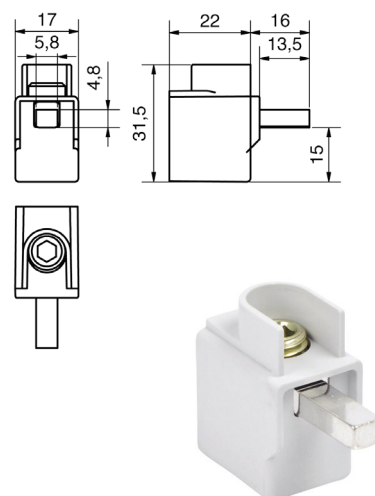
## KKL 1x16



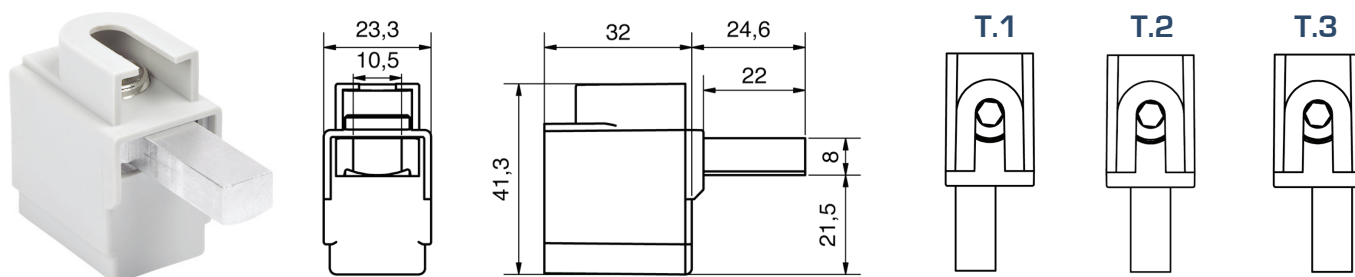
## KKL 1x50T.2



## KKL 1x50M



## KKL 1x120T.1/T.2/T.3



Type	EAN code 6419410...	Un (V)	In (Al) (A)	In (Cu) (A)	Al/Cu mm <sup>2</sup>	Torque Al/Cu (Nm)	Key size	Mounting	Weight kg
KKL 1X16	...378496	690	63	63	1,5-16	2,2 (1,5-16mm <sup>2</sup> )	Hex 3	Direct	0,01
KKL 1X50T.2	...378502		125	125	2,5-50	5 (2,5-16mm <sup>2</sup> ) 10 (25-50mm <sup>2</sup> )	Hex 5	Direct	0,019
KKL 1X50M	...378519		125	125	2,5-50		Hex 5	Direct	0,017
KKL 1X50	...378571		160	160	2,5-50	Hex 5	Bolt	0,011	
KKL 2X50	...378588		200	320	2,5-50	Hex 5	Bolt M8	0,023	
KKL 1X95	...378595		200	245	16-95	12 (16-50 mm <sup>2</sup> )	Hex 6	Bolt M8	0,03
KKL 2X95	...378601		400	490	16-95	22 (70-95 mm <sup>2</sup> )	Hex 6	Bolt M10	0,061
KKL 1X120T.1	...378526		200	245	16-120	12 (15-50 mm <sup>2</sup> ) 22 (70-120 mm <sup>2</sup> )	Hex 6	Direct	0,037
KKL 1X120T.2	...378533		200	245	16-120		Hex 6	Direct	0,037
KKL 1X120T.3	...378540		200	245	16-120		Hex 6	Direct	0,037
KKL 1X150	...378618		250	320	25-150	12 (25-50 mm <sup>2</sup> )	Hex 6	Bolt M10	0,073
KKL 2X150	...378625		500	640	25-150	22 (70-95 mm <sup>2</sup> ) 38 (120-150 mm <sup>2</sup> )	Hex 6	Bolt M12	0,15
KKL 1X240	...378632		315	425	35-240	25 (35-120 mm <sup>2</sup> )	Hex 8	Bolt M12	0,113
KKL 2X240	...378649	630	850	35-240	55 (150-240 mm <sup>2</sup> )	Hex 8	Bolt M12	0,245	

### Conductors

Type	Conductor	2,5	4	6	10	16	25	35	50	70	95	120	150	185	240
1x16	Al	1	1	1	1	1	-	-	-	-	-	-	-	-	-
	Cu	3	3	2	1*	1	-	-	-	-	-	-	-	-	-
1x120	Al	-	-	-	-	1	1	1	1	1	1	1	-	-	-
	Cu	-	-	-	-	3	2	2	1	1*	1	1	-	-	-

\*Biggest fine-strand conductors