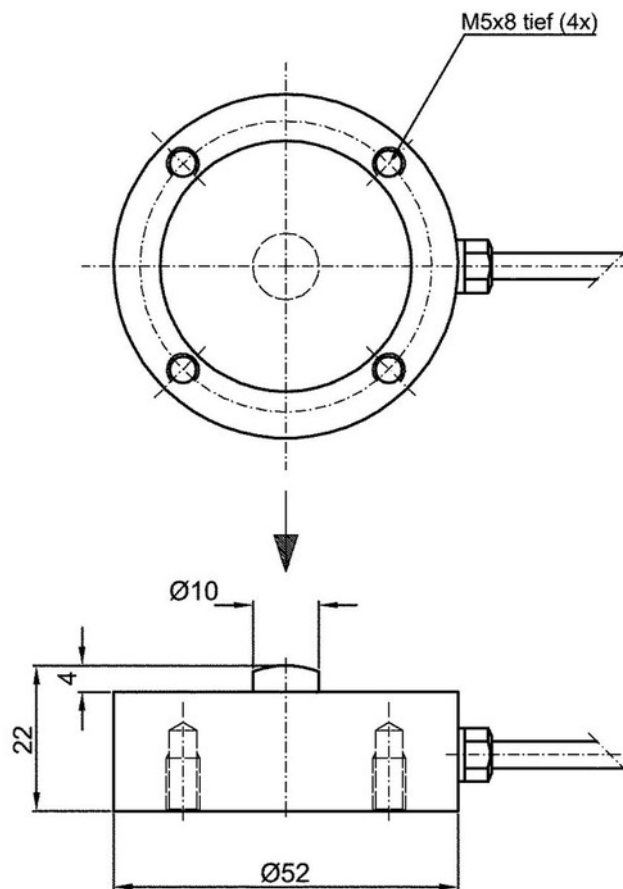


Series KMB52 / KTB52

- Capacity from 0...500N to 0...10kN
- Calibration in compression
- Optionally loadcell only (KMB52), or with integrated amplifier (KTB52)
- Loadcell steel
- Protection class IP66



Dimensional Drawing



Series KMB52 / KTB52

Technical Data	KMB52	KTB52
Capacity (0 to ...)	0,5; 1; 2; 5; 10 kN	
Operating Overload	120%F.S.	
Safe Overload	150%F.S.	
Ultimate Overload	> 200%F.S.	
Rated Output	2 mV/V	-
Rated Output Tolerance	10%F.S.	-
Zero Balance	2%F.S.	1%F.S.**
Non-Linearity	0,08%F.S.	
Hysteresis	0,08%F.S.	
Creep	0,1%F.S.	
Total Error *	0,2%F.S.	
Non-Repeatability	0,05%F.S.	
Temp.Effect on Zero	0,05%F.S./10K	
Temp.Effect on Output	0,05%F.S./10K	
Legend:	*) = Hysteresis included **) Signal version 2410: no Signal change < 1% F.S. (for analog signal only, digital signal without limitation) All above values in %F.S. < = ± values Calibration protocol included	

Mechanical Data	
Measuring Method	Foil Strain Gage Full Bridge
Material Loadcell	Steel

Ambient Conditions	
Compensated Temperature	-10 ... +40° C
Operating Temperature	-20 ... +60° C
Protection Class	IP 66

Electrical Data	KMB52	KTB52
Input Impedance	750 ± 30 Ω	-
Output Impedance	700 ± 4 Ω	-
Insulation	> 2000 Ω	
Recommended Excitation	10 VDC typ., 15 VDC max.	24 VDC ± 20%
Cable Size	4-wire shielded, 2m	8-wire shielded, 2m

Series KMB52 / KTB52

Signal Versions

	Supply	Signal
0000 without amplifier	10 V	20 mV \pm 20%
2410 built in amplifier	24 V	0 ... 10 V
2442 built in amplifier	24 V	4 ... 20 mA

Electrical Connection

	KMB52		KTB52	
Wiring	0000		2410 / 2442	
	black	Excitation -	white	Excitation -
	red	Excitation +	brown	Excitation +
	green	Signal +	green	Signal analog
	white	Signal -	yellow	Tx
	Shield	on housing	grey	Rx
			pink	GW 1
			blue	GW 2
			red	Tara
			Shield	on housing

Ordering Code

Ordering Code					Accessories
Series	KMB52				External Amplifiers
	KTB52				
Capacity		500N			<ul style="list-style-type: none"> • EMA3-DMS / EMA3-2DMS • IPG-DMS / IPG-2DMS • SI-DMS • IMA2-DMS
		1kN			
		2kN			
		5kN			
		10KN			
Connection			K		Displays
Amplifier				0000 (KMB52)	
				2410 (KTB52)	
				2442 (KTB52)*	
Force Direction					D (KTB52)
					Z (KTB52)*

short-term stock types can be found on: <http://www.megatron.de/en/stocklists/load-cells/lagerliste.html>

bold print = standard option

(*) = on request available for projects

19.02.2015

Tare - Standard function for all models with integrated amplifier

Tare function enables a reset of output signal (digital or analog) back to zero signal of calibration.

Procedure: Red cable wire has to be connected to ground (GND).

Example: KTB52 K 10KN 2442 D (i.e. 4mA = 0N, 20mA = 10KN)

Sensor is loaded with 2,5KN, which means output signal is 8mA.

Connecting red cable wire to ground, resets output signal back to 4mA

