



LOAD CELLS

compression

1000



Designed to meet the requirements of a wide range of industrial weighing applications: hoppers, tanks, platforms

Very small mounting space due to its small overall dimensions

Accurate and robust

Made of stainless steel

IP67 protection, perfect for working in harsh environmental conditions typical of applications in the food, chemical and pharmaceutical

TECHNICAL CHARACTERISTICS 1000

Rated Load (R.L.):	100, 250, 500, 1000 Kg
Combined error:	±0.1% of R.O.
Repeatability:	±0.02% of R.O.
Creep (20 minutes):	±0.03% of R.L.
Safe Overload:	150% of R.L.
Ultimate Overload:	> 300% of R.L.
Recommended input:	5÷15 Vdc/Vac
Input resistance:	700 ± 20 Ohm
Output resistance:	700 ± 5 Ohm
Insulation resistance:	> 5000 M Ohm
Rated output (R.O.):	2 mV/V
Zero balance:	± 1% of R.O.
Temperature range:	-20 ÷ +70°C
Compensated Temperature Range:	-10 ÷ +50°C
Temp. effect (-10°C to +50°C) on output:	± 0.005% of output/°C
Temp. effect (-10° to +50°C) on zero balance:	± 0.005% of R.O./°C
Max load deflection:	<0.3mm
Degree of protection:	IP67
Material:	Stainless steel
Electrical connection:	6 conductors shielded cable; length 4 m

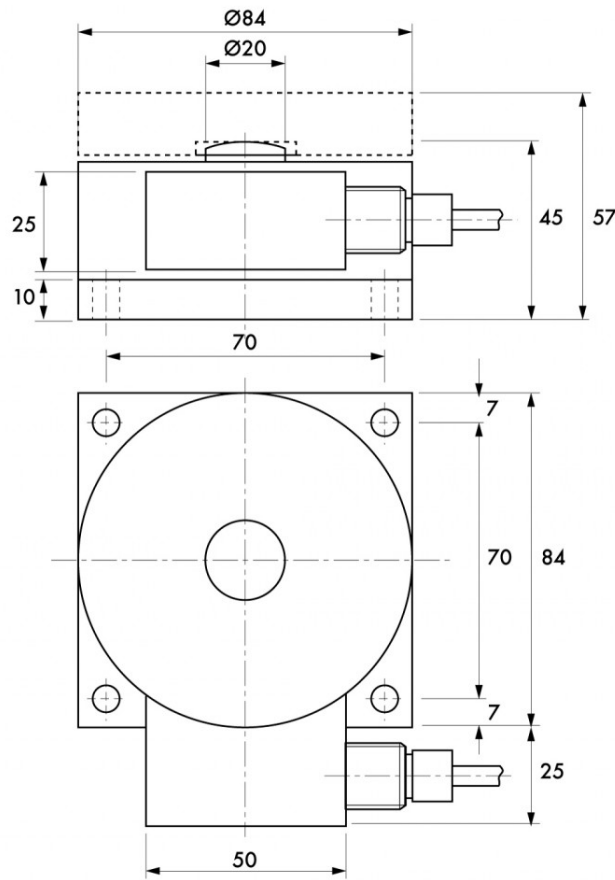




LOAD CELLS

compression

1000





LOAD CELLS

compression

1000

