



LOAD CELLS

compression

2000



Designed to meet the requirements of a wide range of weighing applications: hoppers, tanks and platforms

Required a very small mounting space tanks to low profile structure and small overall dimensions

Excellent accuracy and robustness

Made of stainless steel

Watertight protection, resistant to harsh environmental conditions typical of applications in the food, chemical and pharmaceutical

TECHNICAL CHARACTERISTICS 2000

Rated load (R.L.):	2500, 5000, 10000, 20000, 30000 kg
Combined Error:	±0.05% of R.O.
Repeatability:	±0.02% of R.O.
Creep (20 minutes):	±0.03% of R.L.
Safe overload:	150% of R.L.
Ultimate overload:	> 300% of R.L.
Recommended input:	5÷15 Vdc/Vac
Input resistance:	700 ± 20 Ohm
Output resistance:	700 ± 5 Ohm
Insulation resistance:	> 5000 M Ohm
Rated output (R.O.):	2 mV/V
Zero balance:	±1% of R.O.
Temperature range:	-20 ÷ +70 °C
Compensated Temperature Range:	-10 ÷ +50 °C
Temp. effect (-10°C to +50°C) on output:	±0.005 % of output/°C
Temp. effect (-10° to +50°C) on zero balance:	±0.005% of R.O./°C
Max load deflection:	< 0.3mm
Degree of protection:	IP67
Material:	Stainless steel
Electrical connection:	6 conductors shielded cable; length 4 m

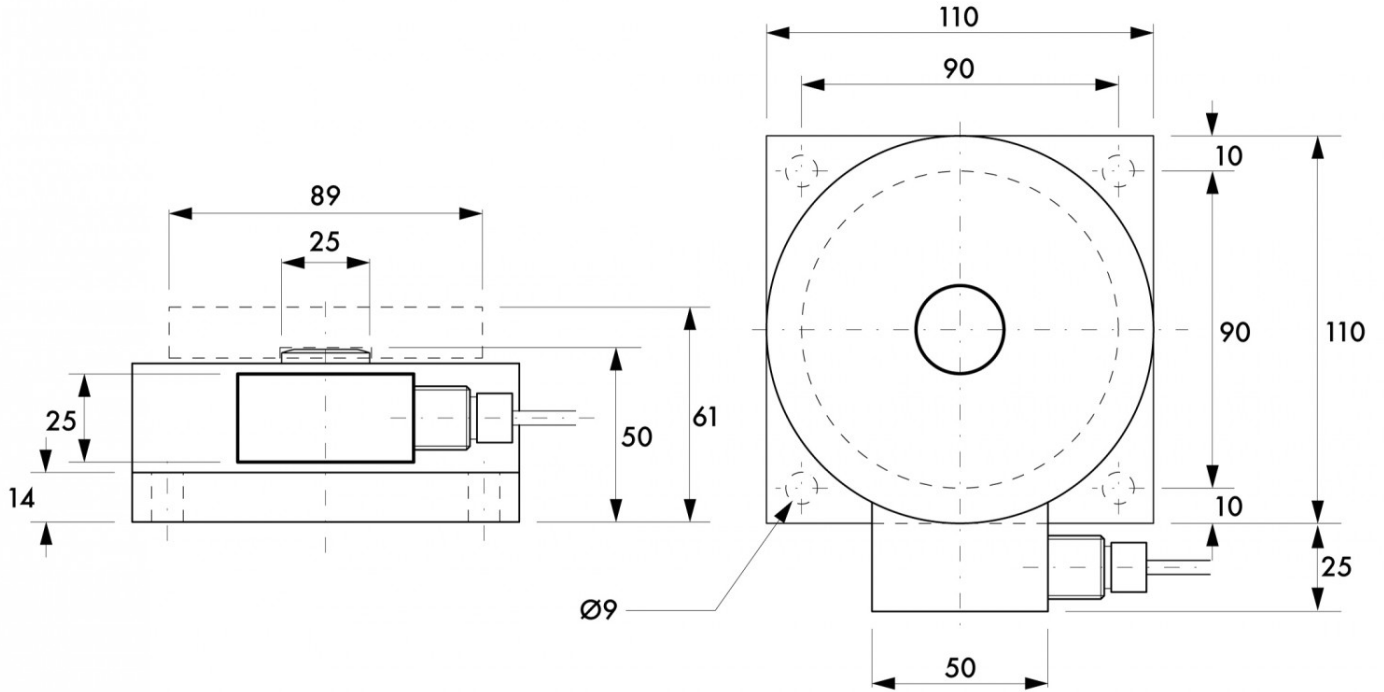




LOAD CELLS

compression

2000





LOAD CELLS

compression

2000

