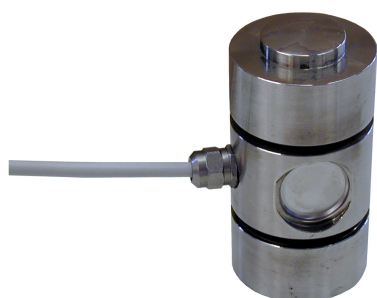




LOAD CELLS

compression

CMH



Specially designed for industrial weighing of tanks, silos, vats, industrial ladles

Good characteristics of precision and robustness

Made of AISI 17-4PH stainless steel

Maximum resistance to shock and overload

Widely used in food, chemical, pharmaceutical and steel

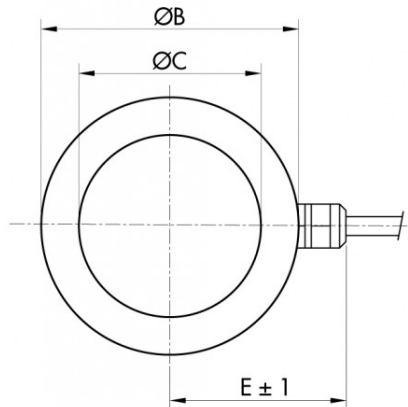
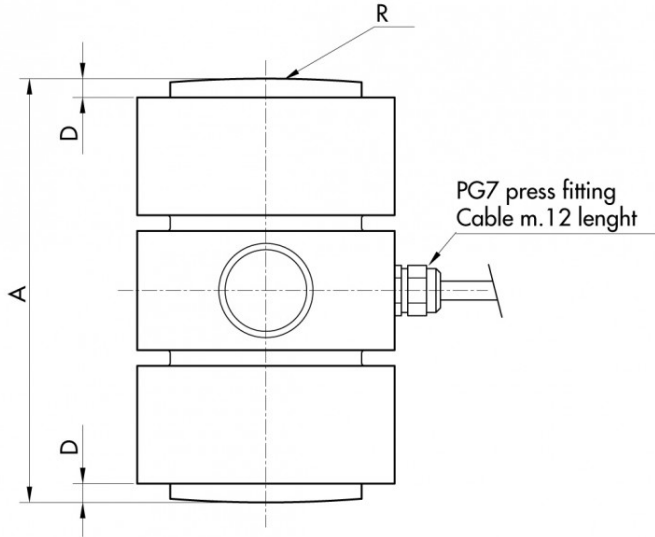
Compensated temperature range can be extended to -10 to +90°C (option)

Operating temperature at -35 to +150°C (option) using cable for high temperature (200°C) (option)

TECHNICAL CHARACTERISTICS CMH

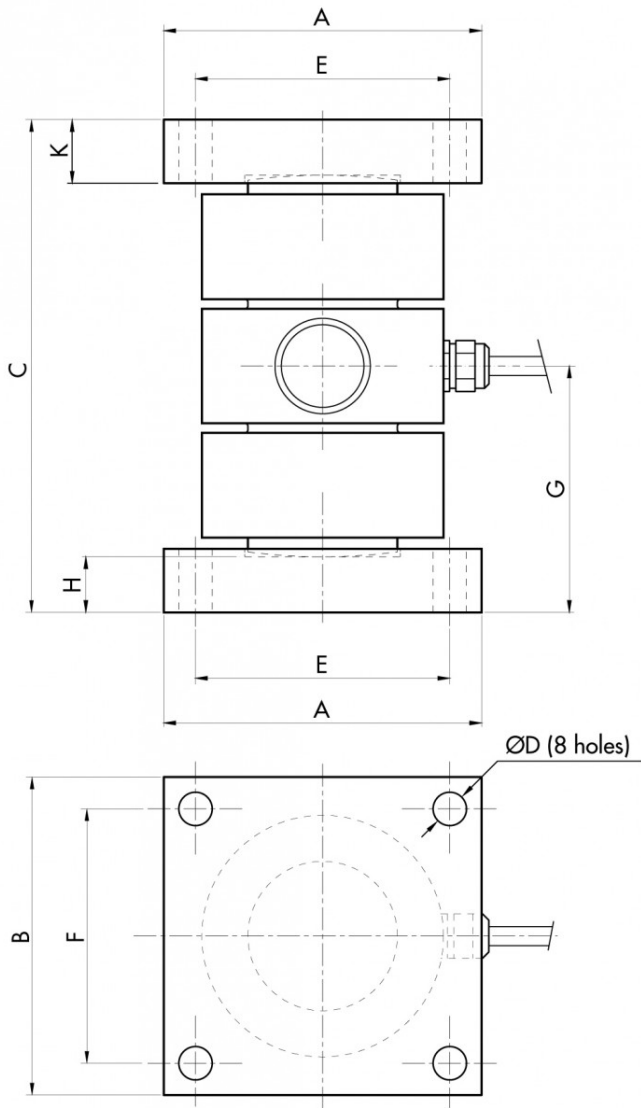
| | |
|---|---|
| Rated load (R.L.): | 2, 6, 10, 15, 20, 30, 40, 50, 60, 100, 150, 200 t |
| Rated output (R.O.): | 2 mV/V |
| Combined error: | ±0.1% of R.O. |
| Repeatability: | ±0.05% R.O. |
| Creep (20 minutes): | ±0.03% of R.L. |
| Temperature range: | -20 ÷ +65 °C |
| Compensated temperature range: | -10 ÷ +50 °C |
| Temp. effect (-10° to +50°C) on zero balance: | ±0.005% of R.O./°C |
| Temp. effect (-10°C to +50°C) on output: | ±0.005% on output/°C |
| Recommended input: | 5 ÷ 12 Vdc/Vac |
| Input resistance: | 350 ± 20 Ohms |
| Output resistance: | 350 ± 5 Ohms |
| Insulation resistance: | > 5000 M Ohms |
| Safe overload: | 150% of R.L. |
| Ultimate overload: | > 300% of R.L. |
| Max load deflection: | 0.3 mm |
| Degree of protection: | IP65 |
| Material: | AISI 17-4PH Stainless steel |
| Electrical connection: | 6 conductors shielded cable; length 6 m |





| RANGE | A | ØB | ØC | D | E | R |
|-----------|-----|-----|----|---|----|-----|
| 2-10 t | 104 | 52 | 30 | 6 | 42 | 180 |
| 20-30 t | 105 | 52 | 30 | 8 | 42 | 200 |
| 40-60 t | 120 | 76 | 47 | 8 | 53 | 180 |
| 100 t | 135 | 82 | 58 | 8 | 56 | 400 |
| 150-200 t | 160 | 125 | 87 | 8 | 77 | 400 |





| RANGE | A | B | C | ØD | E | F | G | H | K |
|-----------|-----|-----|-----|------|-----|-----|-----|------|----|
| 2-10 t | 80 | 80 | 120 | 6.5 | 68 | 68 | 60 | 8 | 10 |
| 20-30 t | 100 | 100 | 140 | 10.5 | 80 | 80 | 70 | 17.5 | 20 |
| 40-60 t | 100 | 100 | 160 | 10.5 | 80 | 80 | 80 | 17.5 | 23 |
| 100 t | 120 | 120 | 200 | 10.5 | 100 | 100 | 100 | 32.5 | 35 |
| 150-200 t | 150 | 150 | 250 | 12.5 | 125 | 125 | 125 | 45 | 49 |

