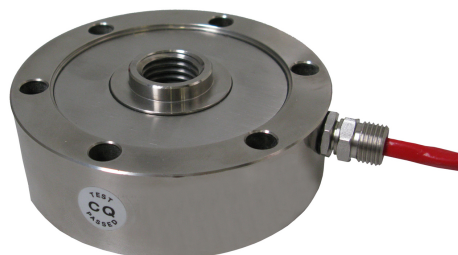




Pavone Sistemi
pesatura elettronica industriale



LOAD CELLS

compression

GD-4

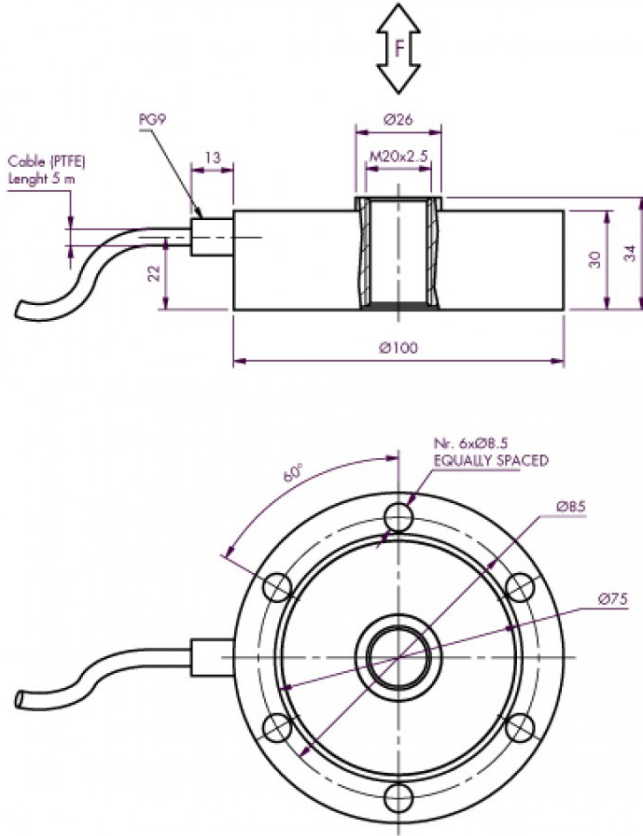
Customized product, designed and manufactured according to specific customer needs

Compression load cell, designed and built for demanding environments

TECHNICAL CHARACTERISTICS GD-4

| | |
|--------------------------|-----------------|
| Nominal force: | 50kN |
| Safe overload: | 150% FS |
| Ultimate overload: | 300% FS |
| Repeatability: | ± 0,05% FS |
| Combined error: | ± 0,15% FS |
| Compensated temperature: | -10 ÷ +60 °C |
| Operating temperature: | -10 ÷ +80 °C |
| Protection degree: | IP65 |
| Material: | Stainless steel |





Electrical Connection

| | |
|---------|--------|
| +Supply | Red |
| -Supply | Black |
| +Signal | Green |
| -Signal | White |
| +Rif | Orange |
| -Rif | Blue |

