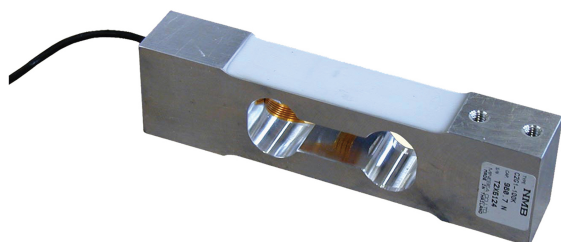


LOAD CELLS

off center

C2G1



Particularly suitable for the construction of industrial and electronic weighing scales, counter scales, counting and packaging machines

Insensitive to off-center weights

3000 and 6000 divisions O.I.M.L. R60 C Class approved

High precision, high reliability and long life

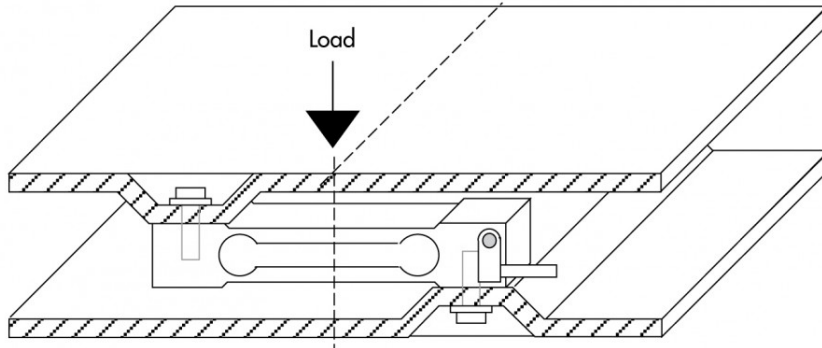
IP64 protection

Platform maximum size 300x300 mm

TECHNICAL CHARACTERISTICS C2G1

Rated load (RL):	6 - 10 - 12 - 15 - 20 - 25 - 30 - 35 - 50 - 60 - 100 Kg
Non-Linearity:	±0,015 % of R.O.
Repeatability:	±0,02 % of R.O.
Creep (20 minutes):	±0,02 % of R.L.
Safe overload:	150 % of RL
Maximum overload:	200 % of R.L.
Recommended input:	5 ÷ 12 Vdc/Vac
Input resistance:	420 +30/-20 Ohm
Output resistance:	350 ±5 Ohm
Insulation resistance:	> 2000 M Ohm
Rated output (R.O.):	2 ±0.2 mV/V
Zero balance:	< ±0.1 mV/V
Temperature range:	-10 ÷ +50 °C
Compensated temperature range:	-10 ÷ +50 °C
Temperature effect on zero balance:	±0.004 % of R.O./°C
Temperature effect on output:	±0.0012 % of output/°C
Max load deflection:	0.17 ÷ 0.62 mm
Precision class:	3000 n. OIML - 6000 n. OIML
Degree of protection:	IP64
Material:	Alluminum alloy
Electrical connection:	4 conductors shielded cable; length 2 m





MOUNTING EXAMPLE

Electrical Connection	
+Excitation	Red
-Excitation	White
+Signal	Green
-Signal	Blue
Shield	Cable shield
Error is within 0.02% SN applied with 1/2 of capacity at the position of 75mm of eccentricity	
The center of loading plate and the center of the load cell should be the same position	



